

US00D697872S

(12) **United States Design Patent**
Roemer et al.

(10) **Patent No.:** **US D697,872 S**
(45) **Date of Patent:** **** Jan. 21, 2014**

(54) **FLOOR-MOUNT SERVICE CONTAINER AND LID**

(75) Inventors: **Henry Roemer, Kelowna (CA); Gordon Almond, Kelowna (CA); Conrad Marini, Woodbridge (CA); Marco Paesano, Woodbridge (CA); Roland Wayne Patton, Sidney (CA)**

(73) Assignee: **DIRTT Environmental Solutions, Ltd., Calgary (CA)**

(**) Term: **14 Years**

(21) Appl. No.: **29/418,305**

(22) Filed: **Apr. 13, 2012**

Related U.S. Application Data

(63) Continuation of application No. 12/232,702, filed on Sep. 23, 2008.

(51) **LOC (10) Cl.** **13-03**

(52) **U.S. Cl.**
USPC **D13/156**

(58) **Field of Classification Search**
USPC D13/156, 133, 139.2, 152, 154, 155, D13/158, 184, 199; D25/119, 124; 174/66, 174/67, 68.1, 68.3, 95, 96, 97, 480, 495, 53, 174/481, 482; 220/3.3, 3.8, 817, 818
See application file for complete search history.

(56) **References Cited**

U.S. PATENT DOCUMENTS

1,271,478 A 7/1918 Krantz
2,996,566 A 8/1961 Stas
3,485,933 A 12/1969 Flachbarth
3,956,573 A 5/1976 Myers
4,054,222 A 10/1977 Suk
4,297,524 A 10/1981 Fork
4,591,656 A 5/1986 Mohr

4,721,476 A 1/1988 Zeliff
5,007,549 A 4/1991 Suk
5,008,491 A 4/1991 Bowman
5,064,969 A 11/1991 Bloom
5,179,252 A 1/1993 Yang
5,180,074 A 1/1993 Bowman
5,257,487 A 11/1993 Bantz
5,285,009 A 2/1994 Bowman
5,342,993 A 8/1994 Slems
5,350,884 A 9/1994 Littrell
5,455,388 A 10/1995 Pratt
5,627,340 A 5/1997 Smith
5,796,037 A 8/1998 Young

(Continued)

Primary Examiner — Derrick Holland

(74) *Attorney, Agent, or Firm* — Workman Nydegger

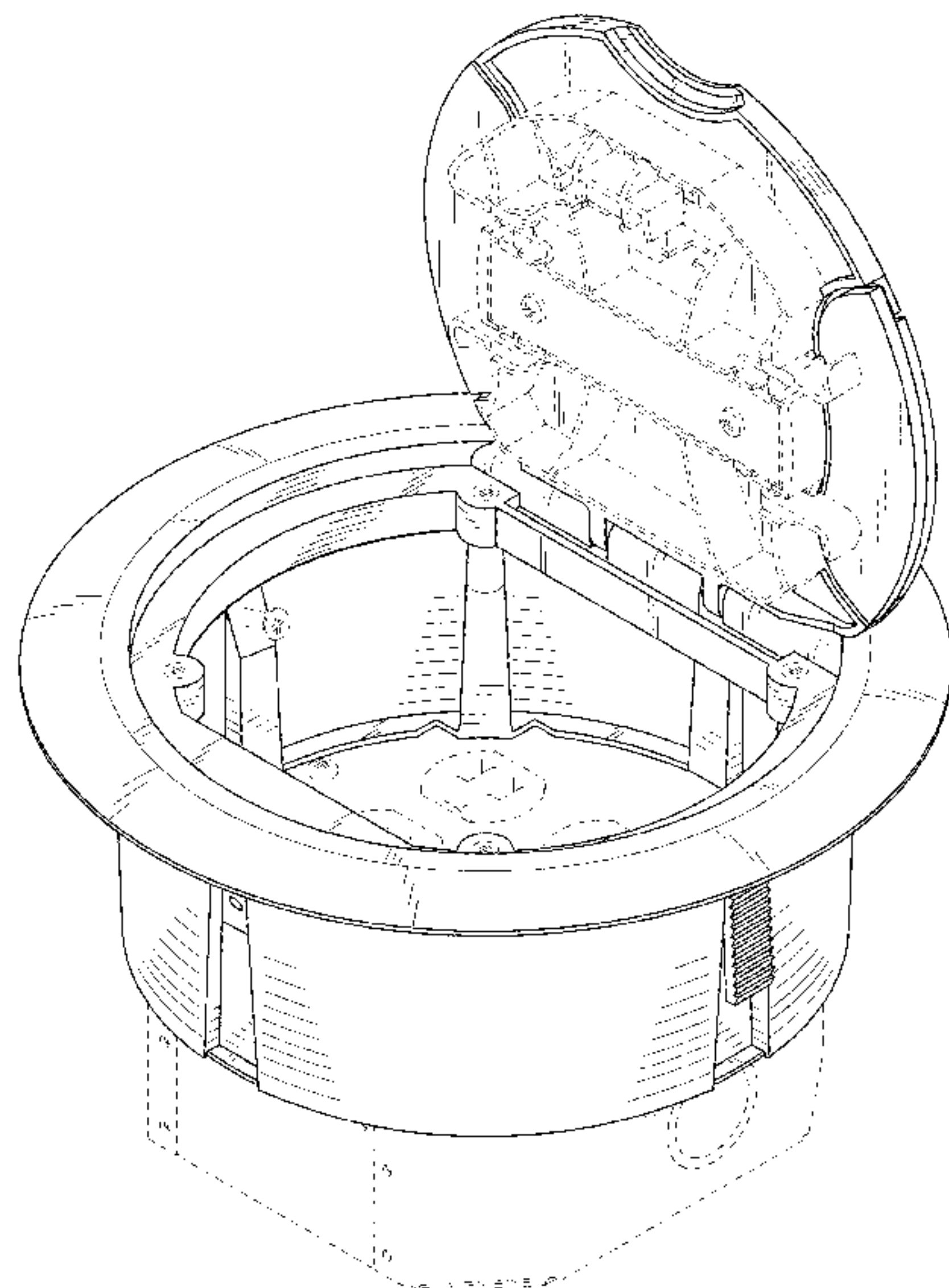
(57) **CLAIM**

The ornamental design for a floor-mount service container and lid, as shown and described.

DESCRIPTION

FIG. 1 is an environmental top perspective view of a floor-mount service container and lid in an exemplary environment;
FIG. 2 is top, right, and front perspective view thereof;
FIG. 3 is top, right, and front perspective view thereof, albeit with the lid in an at least partly open configuration;
FIG. 4 is elevated front view thereof;
FIG. 5 is an elevated rear view thereof;
FIG. 6 is an elevated left side view thereof;
FIG. 7 is an elevated right side view thereof;
FIG. 8 is a top plan view thereof;
FIG. 9 is a bottom plan view thereof;
FIG. 10 is an exploded top, right, front perspective thereof, albeit with the lid in a closed position; and,
FIG. 11 is a top, right, and front perspective view thereof, albeit with the lid in a fully open configuration.
The broken lines shown represent unclaimed subject matter and form no part of the claimed design.

1 Claim, 11 Drawing Sheets



(56)

References Cited

U.S. PATENT DOCUMENTS

5,925,849	A *	7/1999	Chen	174/482	6,669,041	B2	12/2003	Almond
5,943,833	A	8/1999	Feldpausch			6,979,209	B2	12/2005	Griepentrog
6,085,667	A	7/2000	Gevaert			7,045,706	B1	5/2006	Lincoln
6,162,071	A	12/2000	Muller			7,075,005	B1	7/2006	Drane
6,179,634	B1 *	1/2001	Hull et al.	439/142	7,105,745	B2 *	9/2006	Drane et al.
6,194,657	B1 *	2/2001	Gretz	174/53	7,126,059	B2	10/2006	Dinh
6,265,662	B1	7/2001	Riedy			7,183,503	B2 *	2/2007	Bowman et al.
6,450,353	B1 *	9/2002	Riedy et al.	220/3.3	D539,229	S *	3/2007	Murphey D13/155
6,469,249	B2 *	10/2002	Capella	174/66	7,193,160	B2 *	3/2007	Dinh 174/483
6,564,428	B2	5/2003	Richard			7,205,488	B2 *	4/2007	Riner 174/482
6,610,927	B2	8/2003	Dinh			7,276,662	B2 *	10/2007	Drane 174/66
D484,097	S *	12/2003	Drane et al.	D13/139.4	7,300,025	B2 *	11/2007	Korz 248/56
						2004/0164207	A1	8/2004	Decanio
						2006/0060368	A1 *	3/2006	Dinh 174/48
						2008/0054135	A1	3/2008	Galasso

* cited by examiner

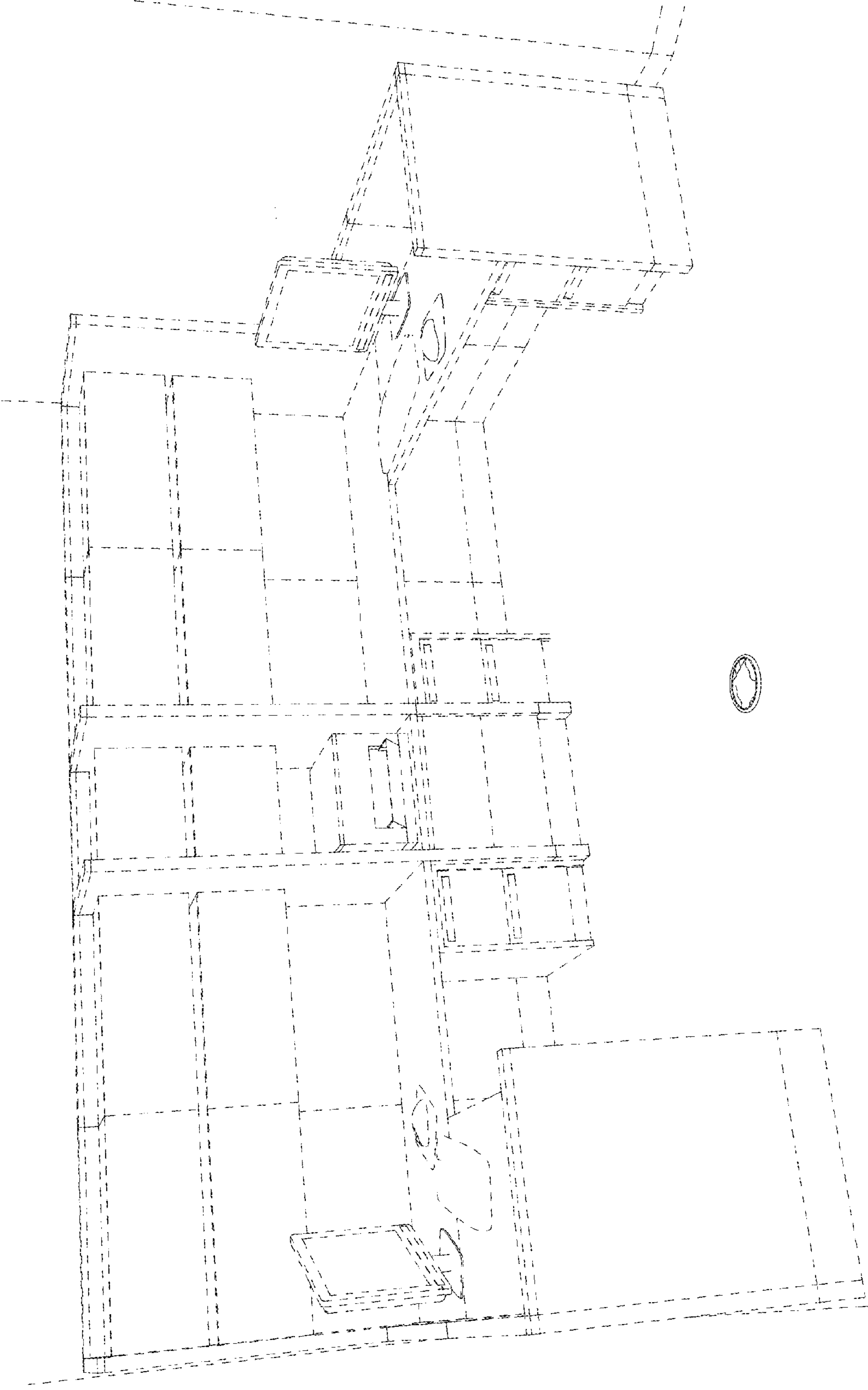


Fig. 1

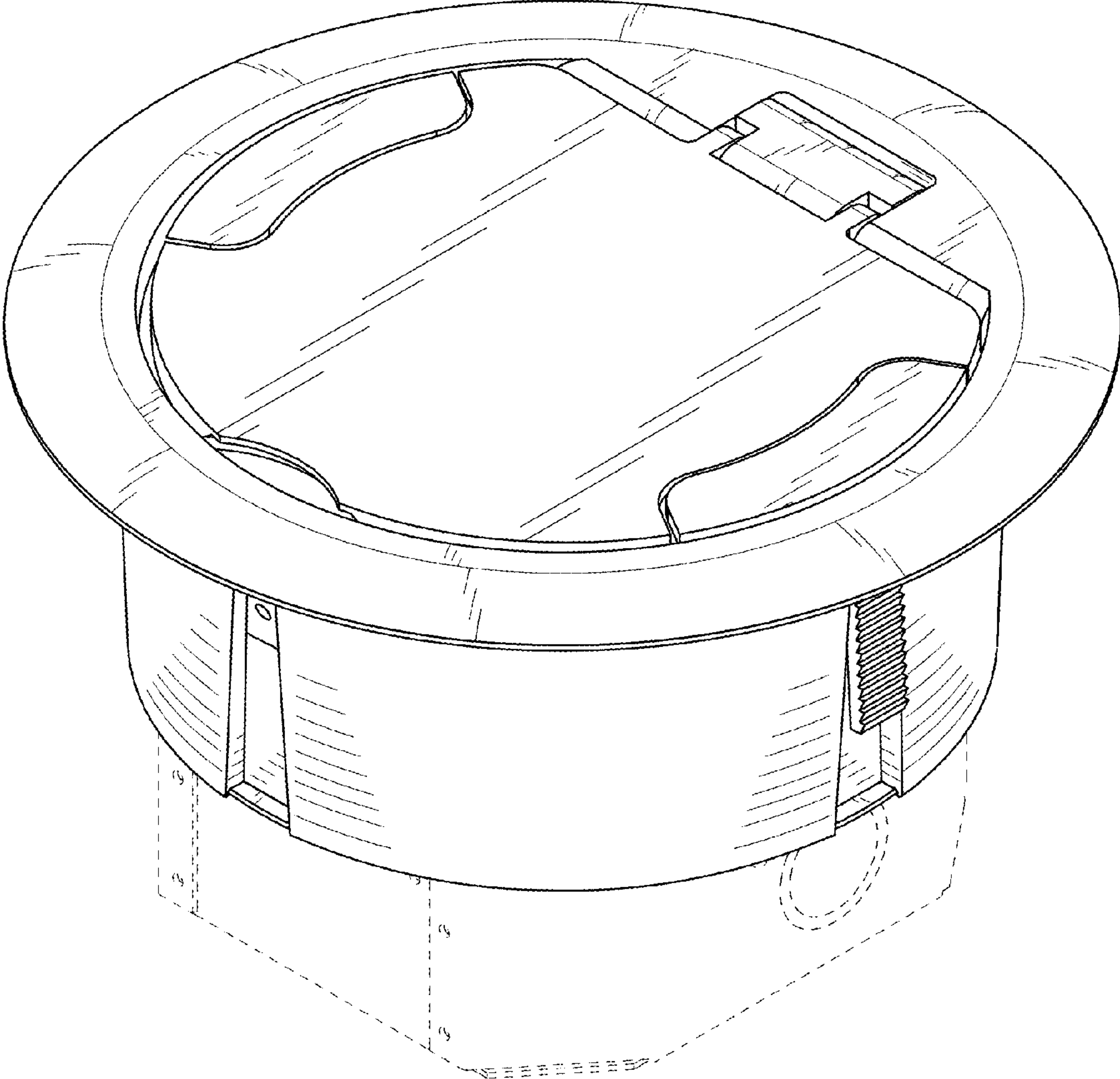


Fig. 2

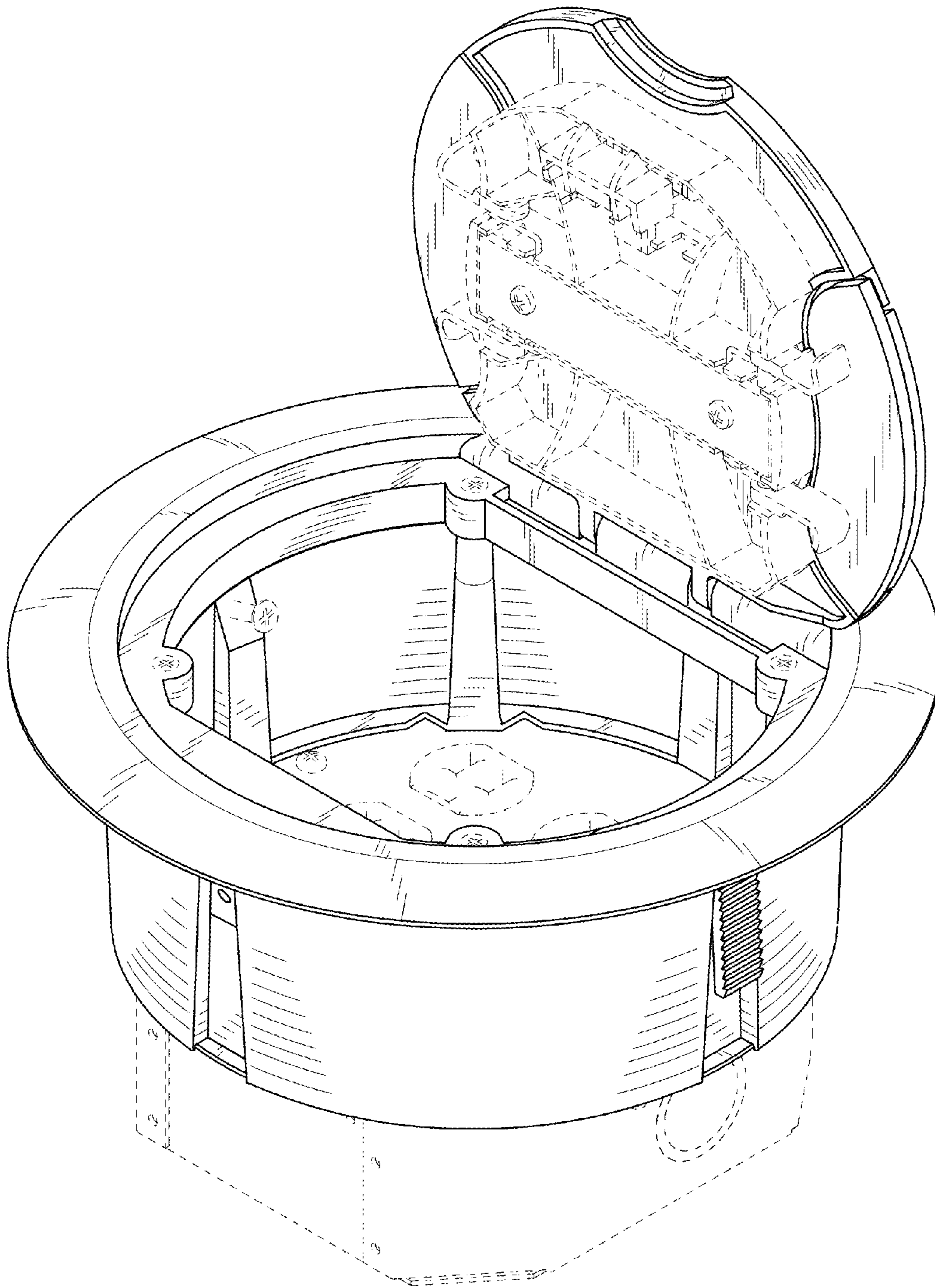


Fig. 3

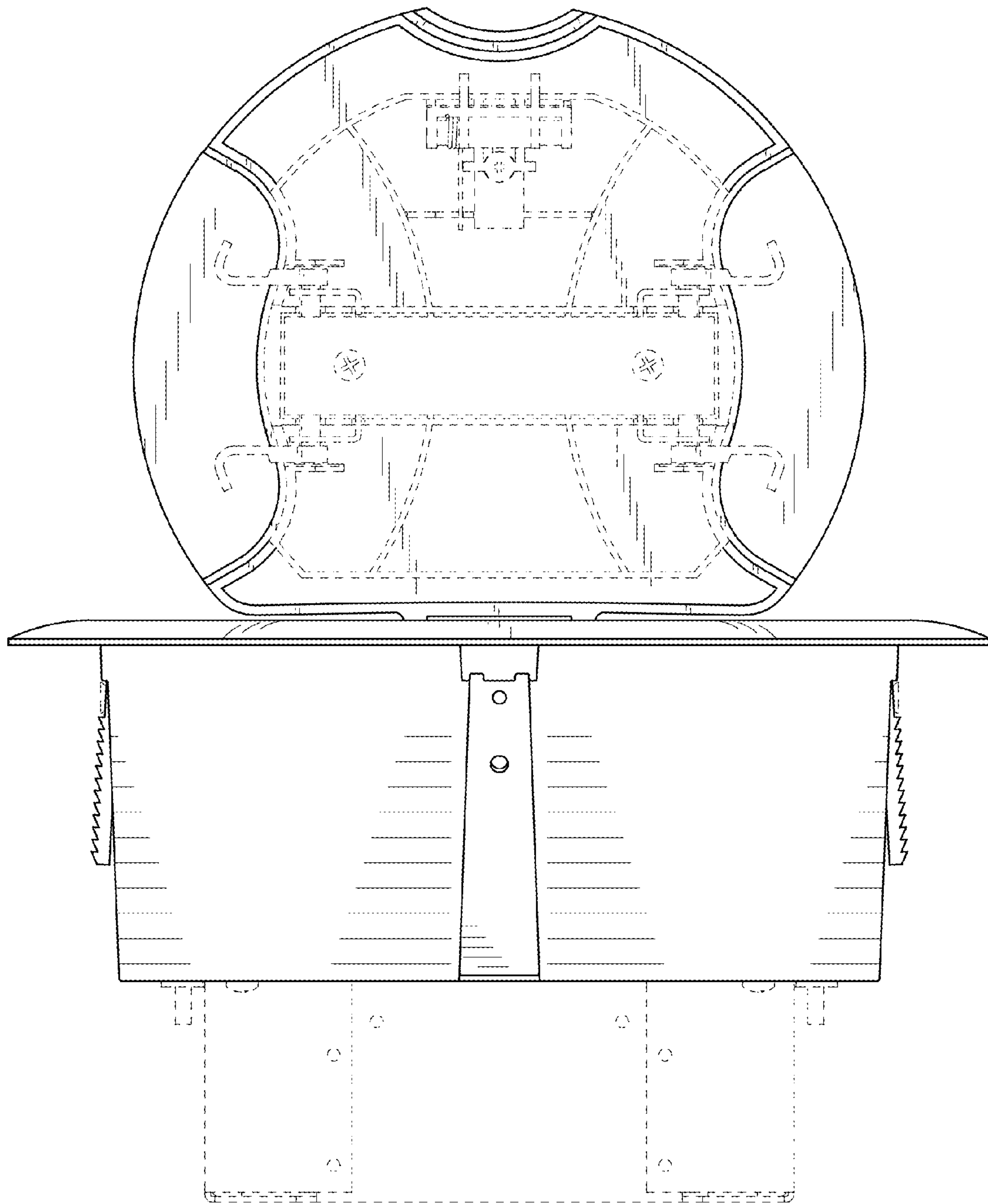


Fig. 4

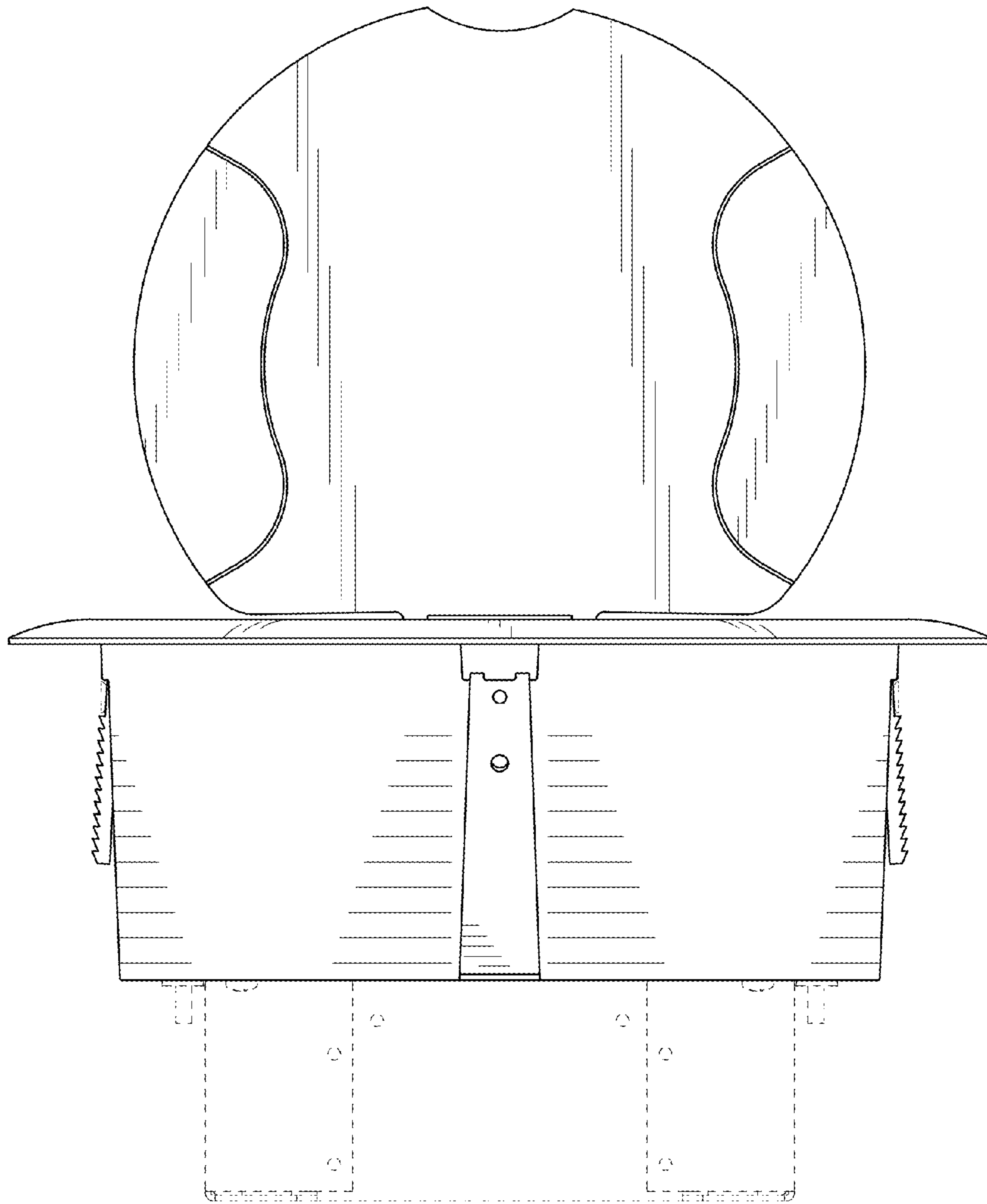


Fig. 5

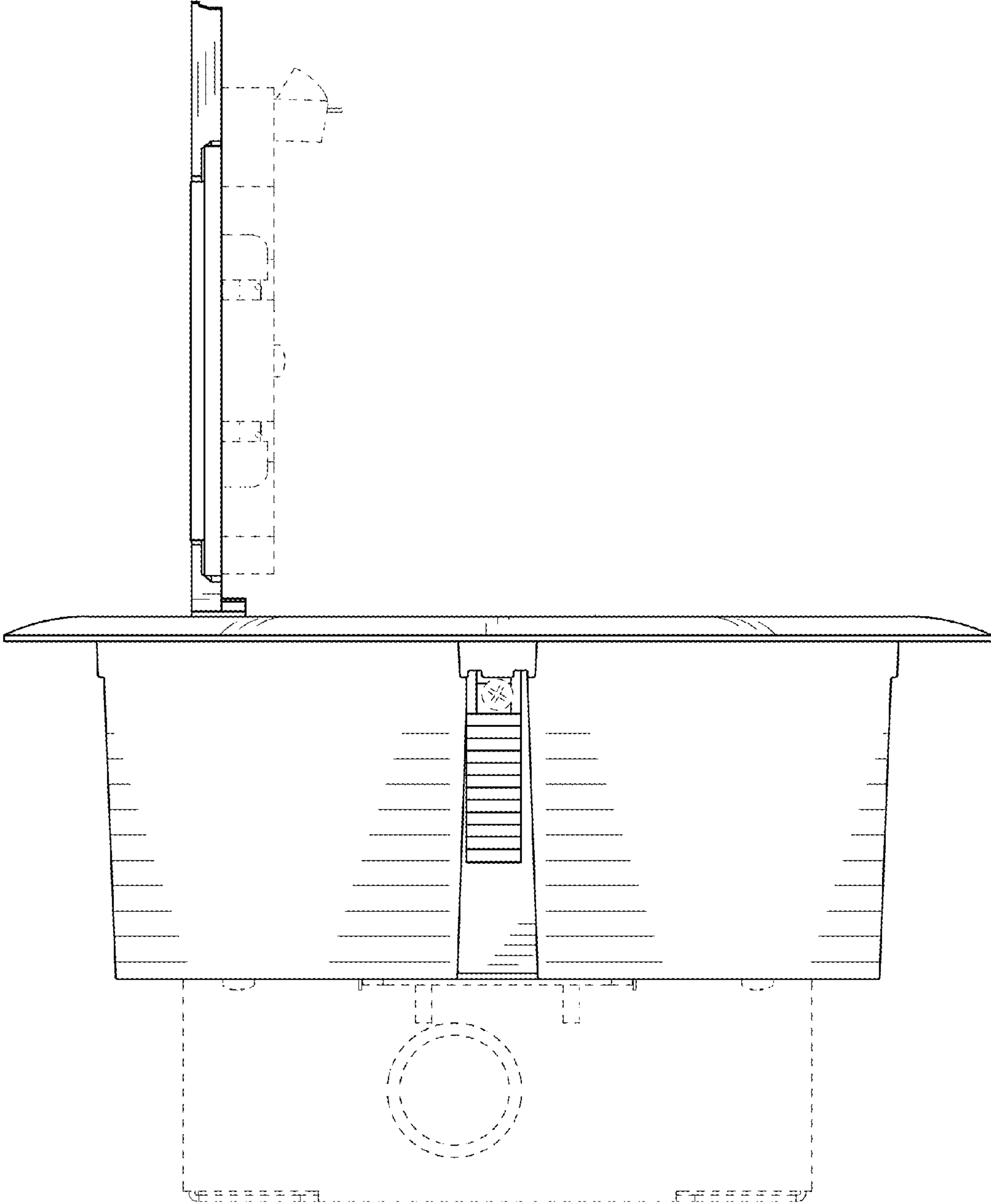


Fig. 6

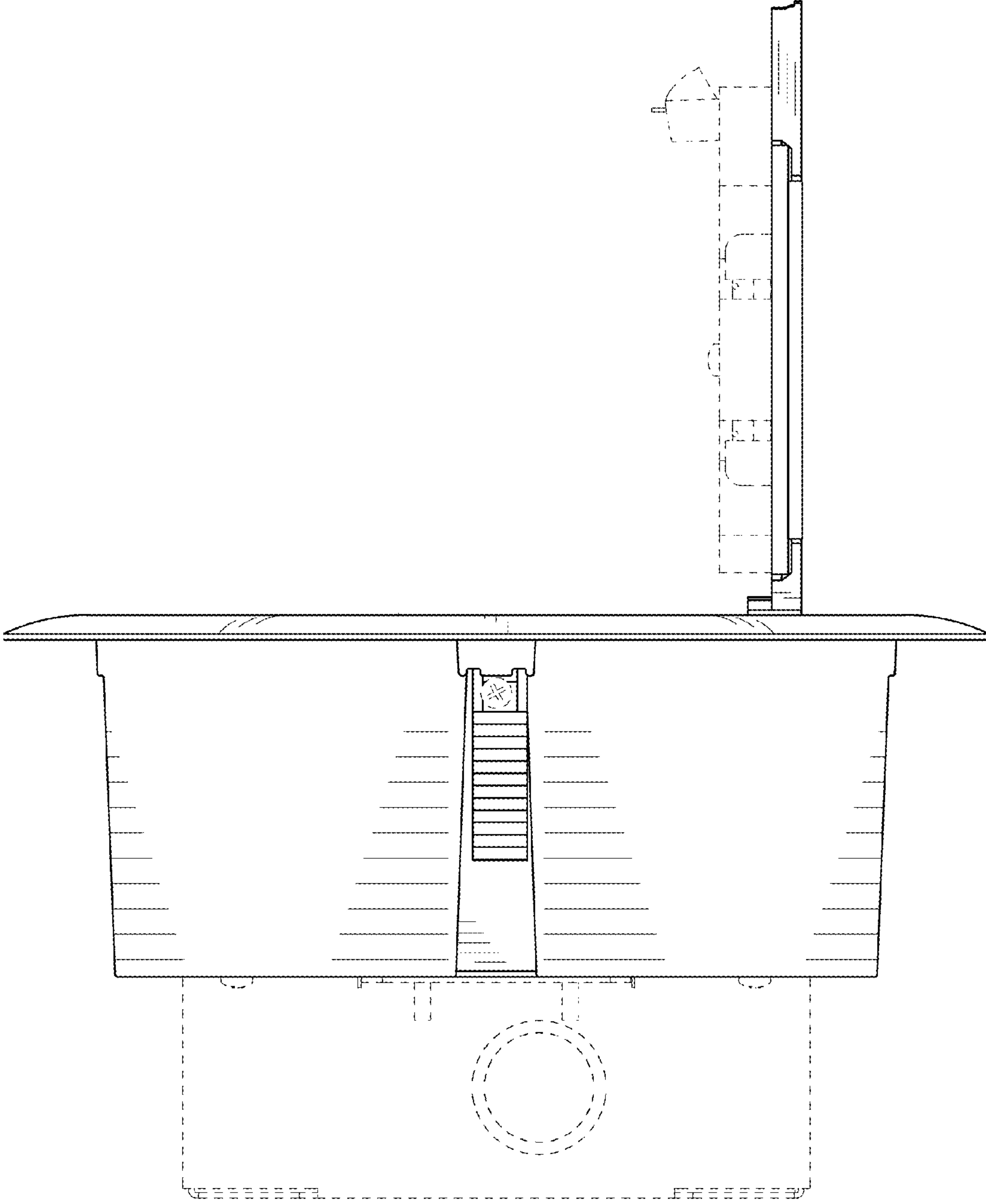


Fig. 7

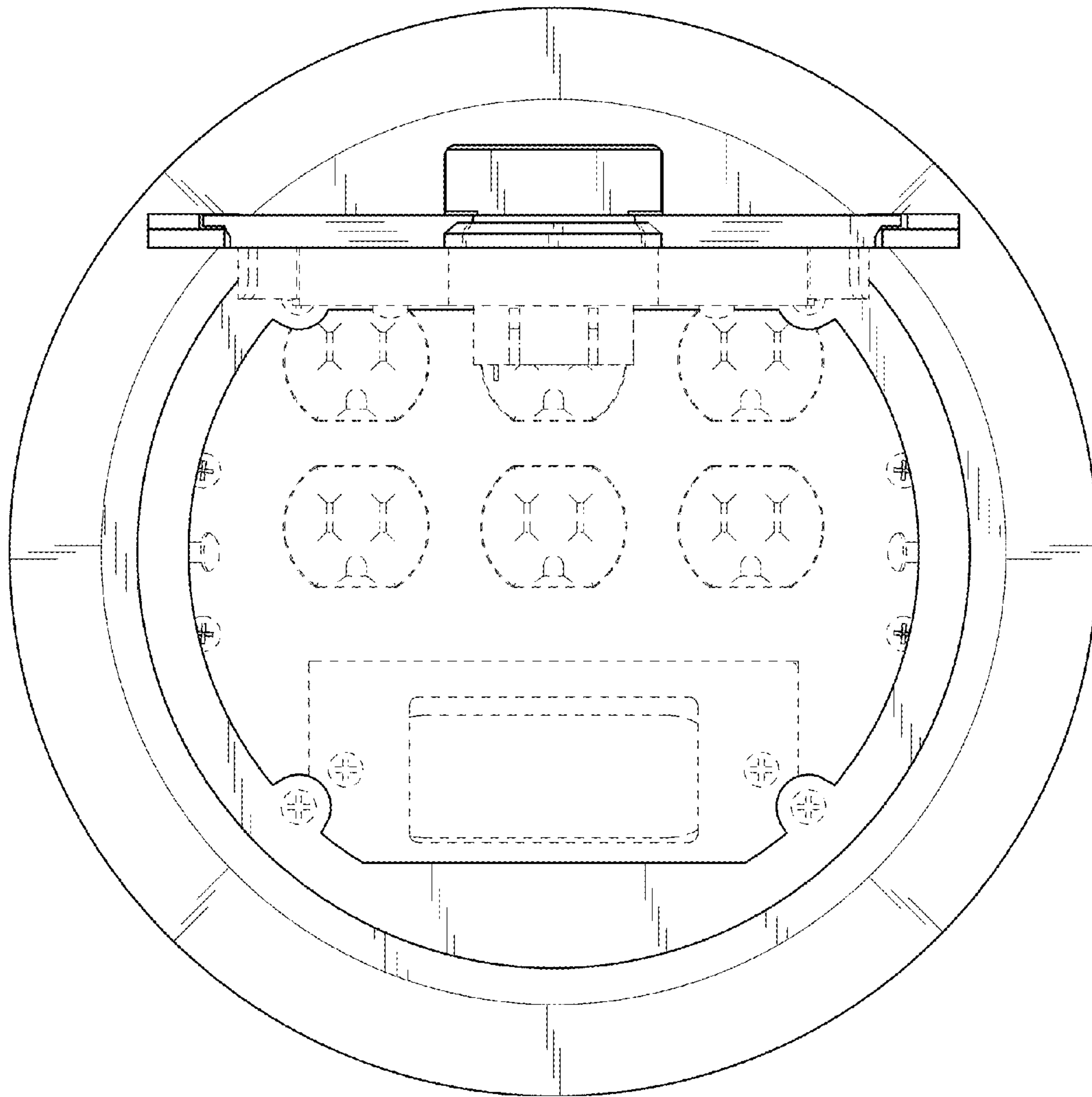


Fig. 8

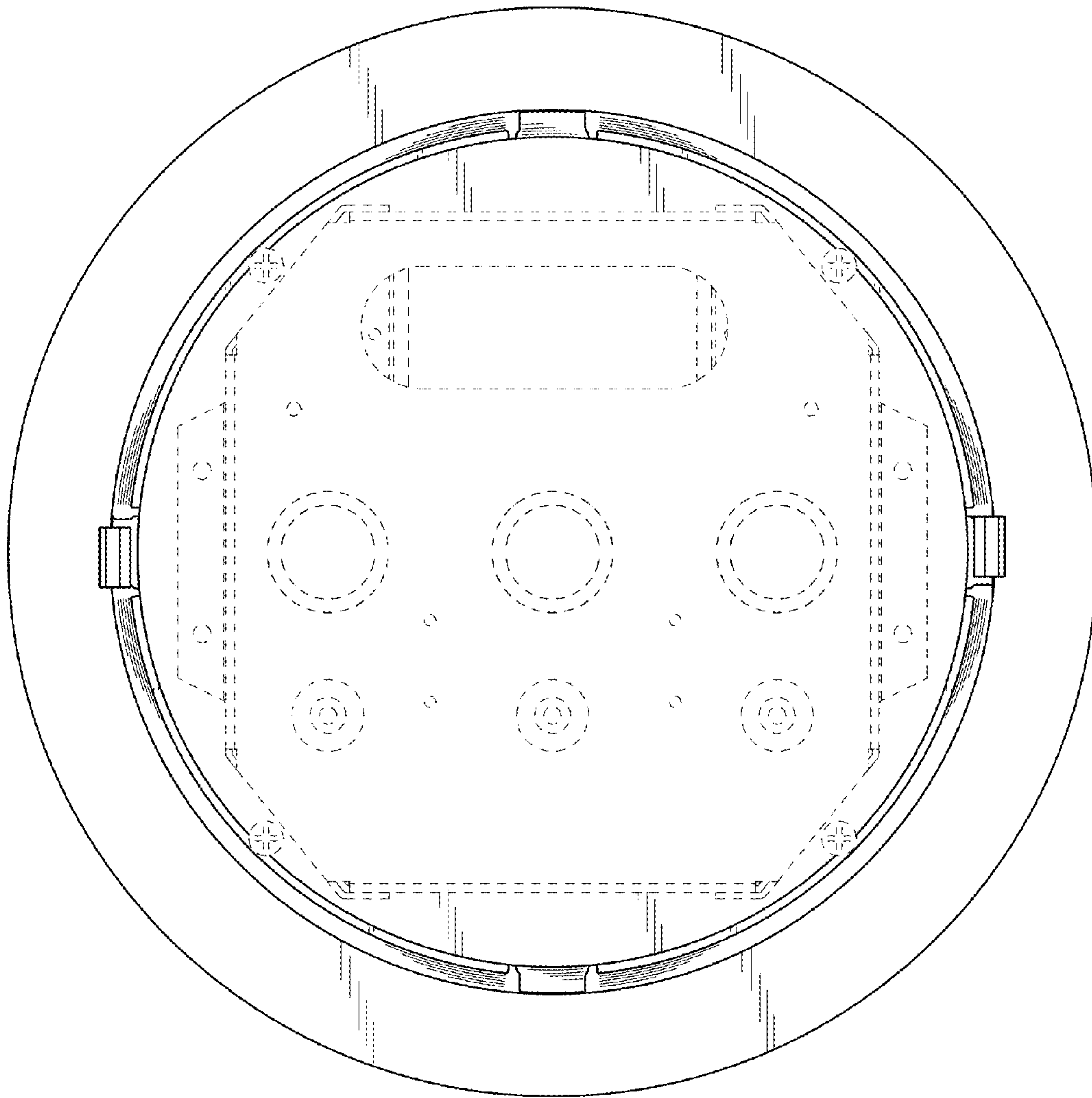


Fig. 9

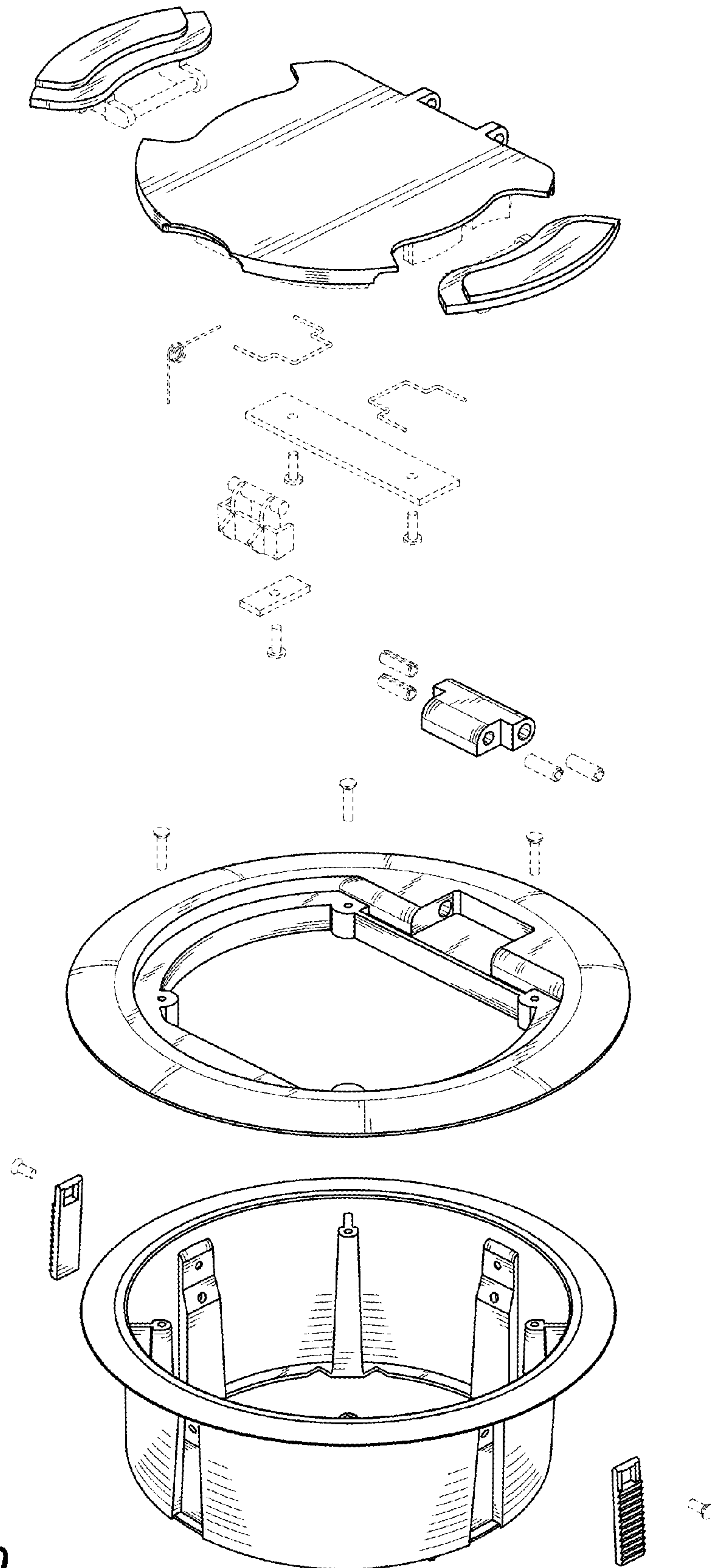


Fig. 10

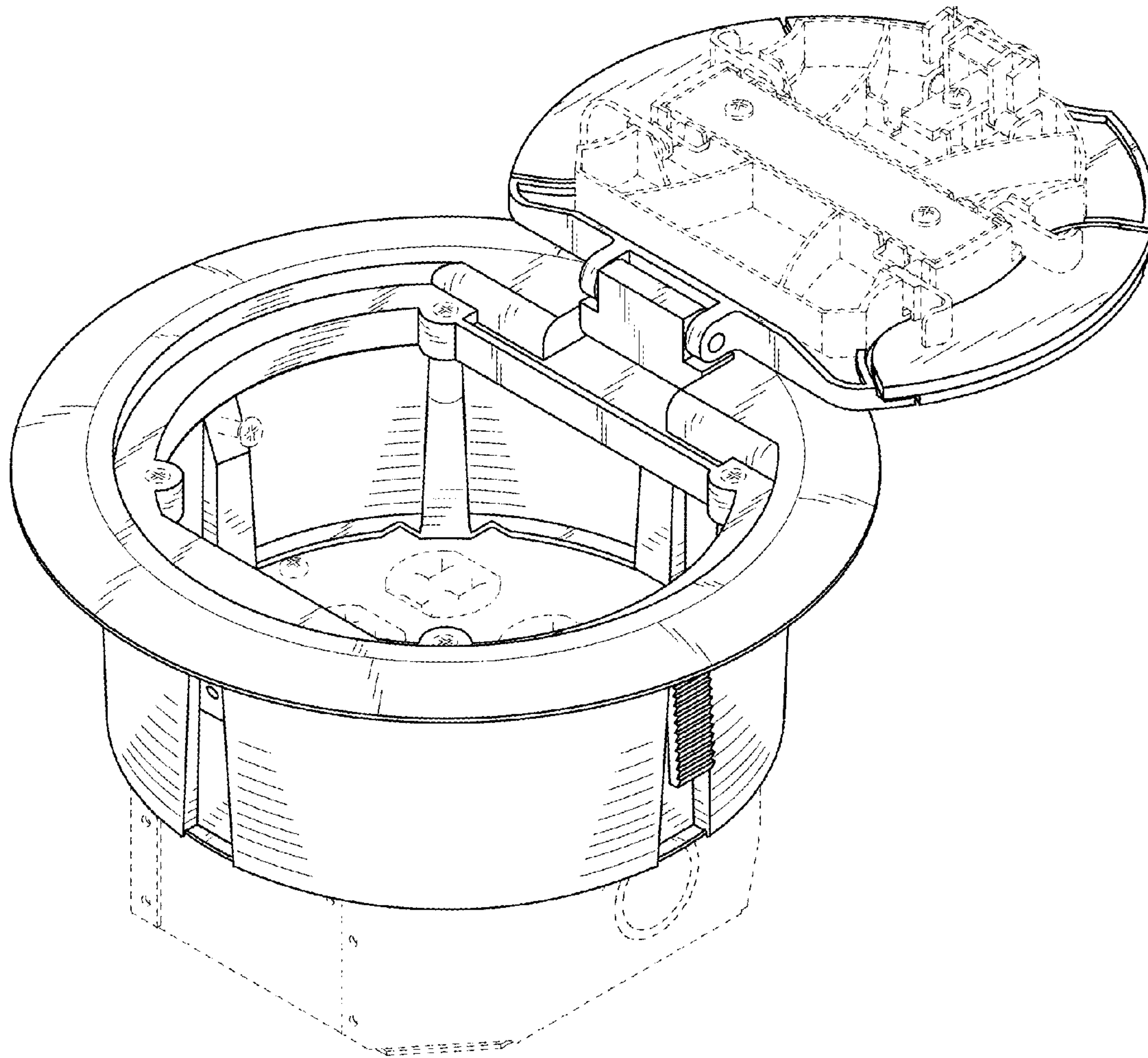


Fig. 11

UNITED STATES PATENT AND TRADEMARK OFFICE
CERTIFICATE OF CORRECTION

PATENT NO. : D697,872 S
APPLICATION NO. : 29/418305
DATED : January 21, 2014
INVENTOR(S) : Roemer et al.

Page 1 of 1

It is certified that error appears in the above-identified patent and that said Letters Patent is hereby corrected as shown below:

On the Title Page

Item (56), U.S. Patent Documents, change "Griepentrog" to --Grienpentrog--

Signed and Sealed this
Twenty-seventh Day of May, 2014



Michelle K. Lee
Deputy Director of the United States Patent and Trademark Office