



US00D697871S

(12) **United States Design Patent**  
**de Bruijn et al.**

(10) **Patent No.:** **US D697,871 S**  
(45) **Date of Patent:** **\*\* Jan. 21, 2014**

- (54) **ELECTRICAL CONNECTOR**
- (75) Inventors: **Jeroen de Bruijn**, Loon Op Zand (NL);  
**Thierry Goossens**, Herdersem-Aalst (BE); **Johannes Maria Blasius van Woensel**, Rosmalen (NL)
- (73) Assignee: **FCI**, Guyancourt (FR)
- (\*\*) Term: **14 Years**
- (21) Appl. No.: **29/431,465**
- (22) Filed: **Sep. 7, 2012**

D409,143 S 5/1999 Yoshiura  
 D410,226 S 5/1999 Yoshiura  
 6,083,059 A 7/2000 Kuan

(Continued)

FOREIGN PATENT DOCUMENTS

TW D116895 5/2007  
 TW D126581 12/2008  
 TW D127913 3/2009  
 TW D134355 4/2010

OTHER PUBLICATIONS

U.S. Appl. No. 29/384,323, filed Jan. 28, 2011, De Bruijn et al.  
 U.S. Appl. No. 29/384,325, filed Jan. 28, 2011, De Bruijn et al.

(Continued)

**Related U.S. Application Data**

- (63) Continuation of application No. 29/407,357, filed on Nov. 28, 2011, now Pat. No. Des. 666,975, which is a continuation of application No. 29/369,327, filed on Sep. 7, 2010, now Pat. No. Des. 649,517.
- (51) **LOC (10) Cl.** ..... **13-03**
- (52) **U.S. Cl.**  
USPC ..... **D13/147**
- (58) **Field of Classification Search**  
USPC ..... D13/120, 147, 154; 439/83, 108, 166,  
439/500, 577, 630, 660, 680, 700, 773.1,  
439/862  
See application file for complete search history.

*Primary Examiner* — Daniel Bui

(74) *Attorney, Agent, or Firm* — Woodcock Washburn LLP

(57) **CLAIM**

The ornamental design for an electrical connector, as shown and described.

**DESCRIPTION**

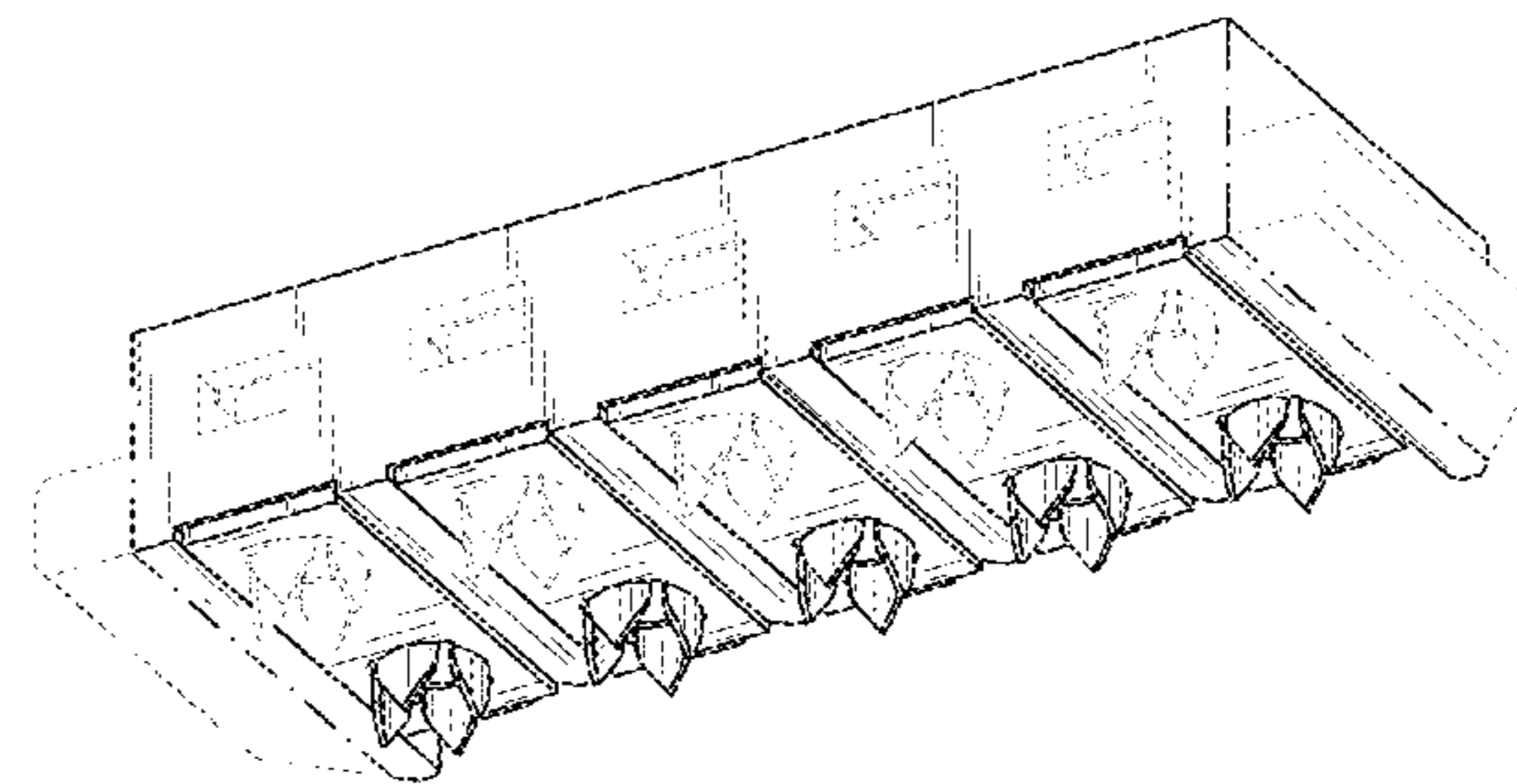
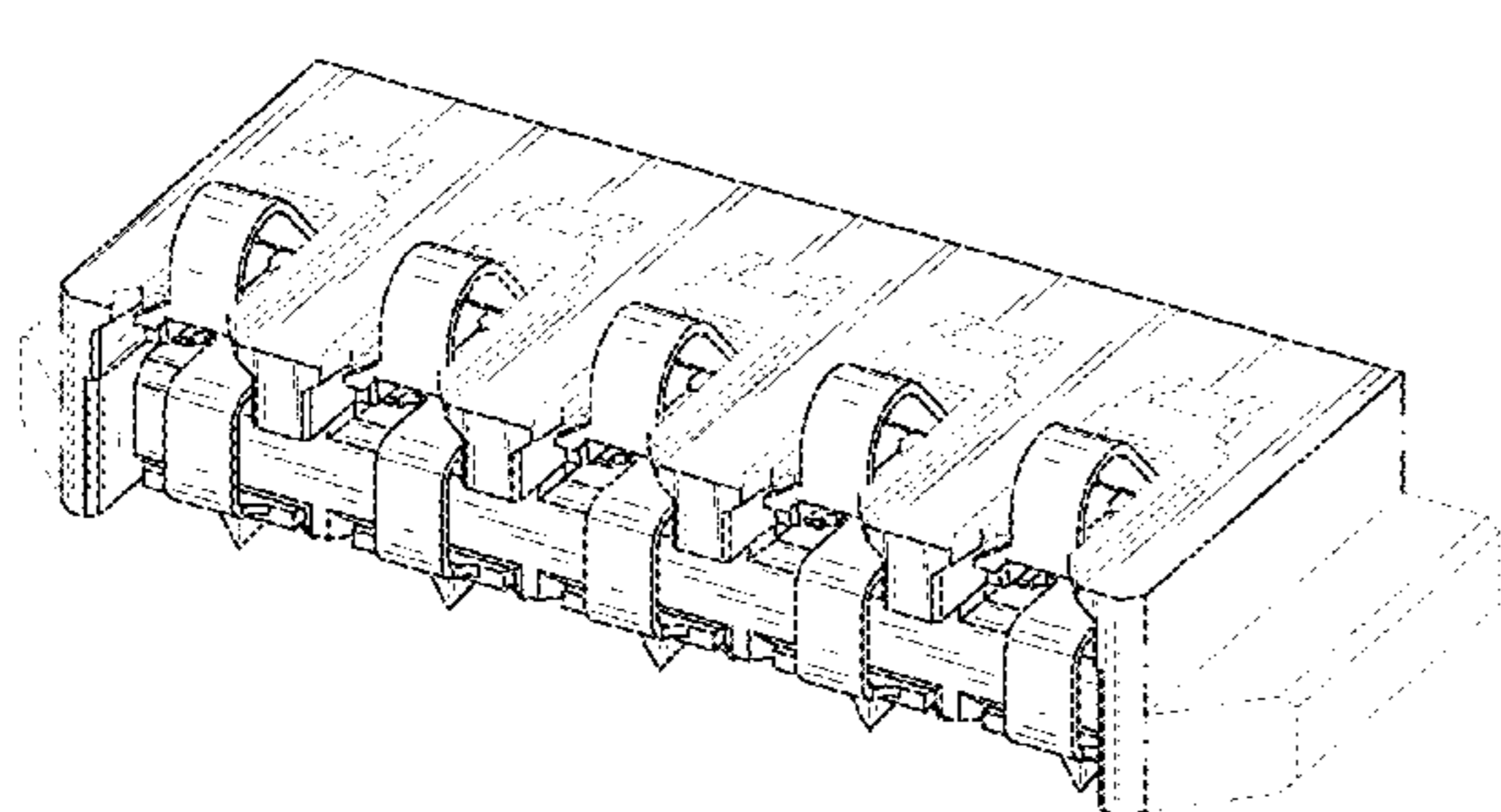
FIG. 1 is a top, right, front perspective view of an electrical connector according to our design;  
 FIG. 2 is a bottom, left, rear perspective view thereof;  
 FIG. 3 is a front elevation view thereof;  
 FIG. 4 is a left side elevation view thereof; and  
 FIG. 5 is a rear elevation view thereof.  
 FIG. 6 is a right side elevation view thereof;  
 FIG. 7 is a top plan view thereof; and,  
 FIG. 8 is a bottom plan view thereof.  
 The broken line portion of the figure drawings is included to show unclaimed subject matter only and forms no part of the claimed design. The dot-dash line in the figure drawings represents the boundary of the claimed design.  
 In a preferred embodiment, the nature of this product is an electrical connector that is configured to electrically connect to a pair of electrical devices.

(56) **References Cited**

U.S. PATENT DOCUMENTS

3,612,747 A 10/1971 Shlesinger, Jr.  
 D227,767 S 7/1973 Gillespie  
 4,171,858 A 10/1979 Knowles et al.  
 4,560,226 A 12/1985 Dennis  
 4,749,368 A 6/1988 Mouissie  
 5,567,545 A 10/1996 Murakami  
 5,631,098 A 5/1997 Suzuki  
 D408,353 S 4/1999 Yoshiura

**1 Claim, 3 Drawing Sheets**



(56)

References Cited

U.S. PATENT DOCUMENTS

6,129,168 A 10/2000 Lotito et al.  
D447,122 S 8/2001 Harasawa et al.  
6,315,621 B1 11/2001 Natori et al.  
D473,192 S 4/2003 Ouchi et al.  
D481,996 S 11/2003 Kihira et al.  
D485,807 S 1/2004 Kao et al.  
6,835,089 B2 12/2004 Hayes et al.  
6,932,382 B2 8/2005 Hayes et al.  
6,951,488 B2 10/2005 Hsieh  
7,001,205 B2 2/2006 Godefroy et al.  
D528,985 S 9/2006 Peng  
D529,443 S 10/2006 Chien  
D530,679 S 10/2006 Li et al.  
D538,228 S 3/2007 Wang et al.  
D555,093 S 11/2007 Chien et al.  
D555,095 S 11/2007 Ho  
D555,096 S 11/2007 Peng  
D555,131 S 11/2007 Kim et al.  
D556,131 S 11/2007 Chien  
D556,135 S 11/2007 Dwan et al.  
D559,180 S 1/2008 Lai et al.  
7,335,068 B2 2/2008 Dwan et al.  
7,338,310 B2 3/2008 Kumakura  
D568,246 S 5/2008 Wu et al.  
D568,248 S 5/2008 Chen et al.  
D569,343 S 5/2008 Hung et al.  
D569,801 S 5/2008 Chuang  
D569,802 S 5/2008 Long et al.  
D570,288 S 6/2008 Ma et al.  
D582,348 S 12/2008 Shiu  
D584,231 S 1/2009 Wu  
D584,237 S 1/2009 Zhu  
D586,294 S 2/2009 Lung  
D596,575 S 7/2009 Chen et al.  
D601,970 S 10/2009 Peng et al.  
D601,971 S 10/2009 Chen et al.  
D603,795 S 11/2009 Kono  
D605,137 S 12/2009 Yu et al.  
D607,834 S 1/2010 Huang  
D607,835 S 1/2010 Huang  
D608,295 S 1/2010 Huang  
7,662,507 B2 2/2010 Schwendinger et al.

D614,493 S 4/2010 Creed et al.  
D614,507 S 4/2010 Lukan et al.  
D614,583 S 4/2010 Wang  
D615,493 S 5/2010 Kalis  
D615,943 S 5/2010 Kang et al.  
D618,173 S 6/2010 Wang et al.  
D619,538 S 7/2010 Peng  
D642,981 S 8/2011 De Bruijn et al.  
D644,177 S 8/2011 De Bruijn et al.  
D647,863 S 11/2011 Su et al.  
D649,517 S 11/2011 De Bruijn et al.  
D659,645 S \* 5/2012 Kajiura et al. .... D13/154  
D659,646 S \* 5/2012 Kajiura et al. .... D13/154  
D666,151 S \* 8/2012 Liao ..... D13/147  
D666,975 S 9/2012 De Bruijn et al.  
D668,615 S 10/2012 Kajiura et al.  
D668,619 S 10/2012 Kajiura et al.  
D669,859 S 10/2012 Kajiura et al.  
D670,654 S 11/2012 Kajiura et al.  
D671,501 S 11/2012 Kajiura et al.  
D672,724 S \* 12/2012 Kajiura et al. .... D13/147  
2002/0112985 A1 8/2002 Casses et al.  
2004/0038121 A1 2/2004 Song et al.  
2007/0243458 A1 10/2007 Roehm et al.  
2008/0193837 A1 8/2008 Lu  
2009/0137136 A1 5/2009 Shen  
2012/0058668 A1 3/2012 De Bruijn et al.

OTHER PUBLICATIONS

U.S. Appl. No. 29/393,268, filed Jun. 1, 2011, Kajiura.  
U.S. Appl. No. 29/393,269, filed Jun. 1, 2011, Kameda et al.  
U.S. Appl. No. 29/393,276, filed Jun. 1, 2011, Kajiura et al.  
U.S. Appl. No. 29/393,278, filed Jun. 1, 2011, Kameda et al.  
U.S. Appl. No. 29/393,281, filed Jun. 1, 2011, Kameda et al.  
U.S. Appl. No. 29/393,283, filed Jun. 1, 2011, Kameda et al.  
Taiwan Patent Application No. 100306484: Allowance Decision dated Aug. 17, 2012 with Search Report dated Jul. 24, 2012, 8 pages.  
Taiwan Patent Application No. 100306485: Allowance Decision dated Aug. 20, 2012 with Search Report dated Jul. 24, 2012, 8 pages.  
Taiwan Patent Application No. 100306491: Allowance Decision dated Aug. 17, 2012 with Search Report dated Jul. 24, 2012, 8 pages.  
Taiwan Patent Application No. 100306483: Allowance Decision dated Aug. 20, 2012 with Search Report dated Jul. 24, 2012, 8 pages.

\* cited by examiner

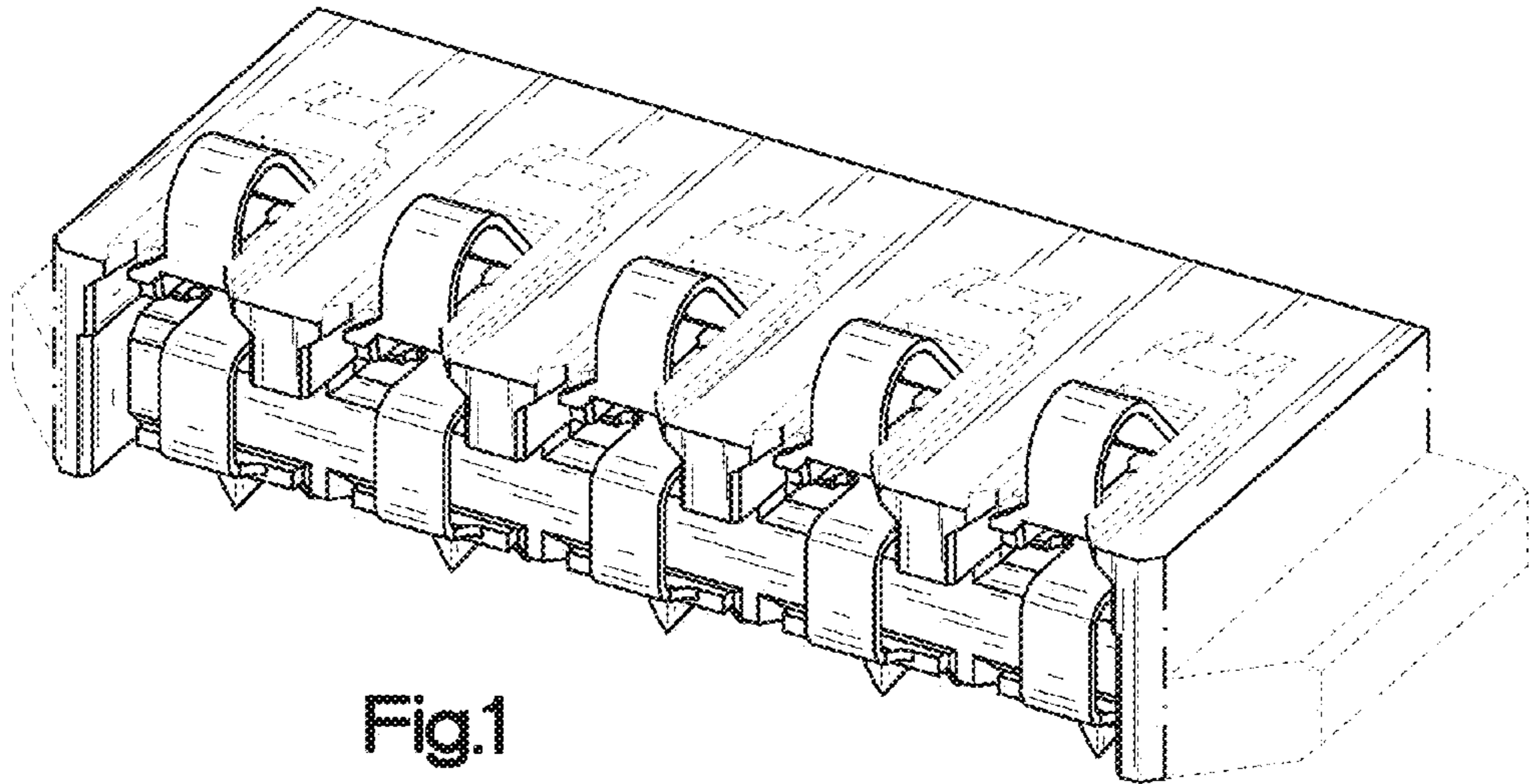


Fig.1

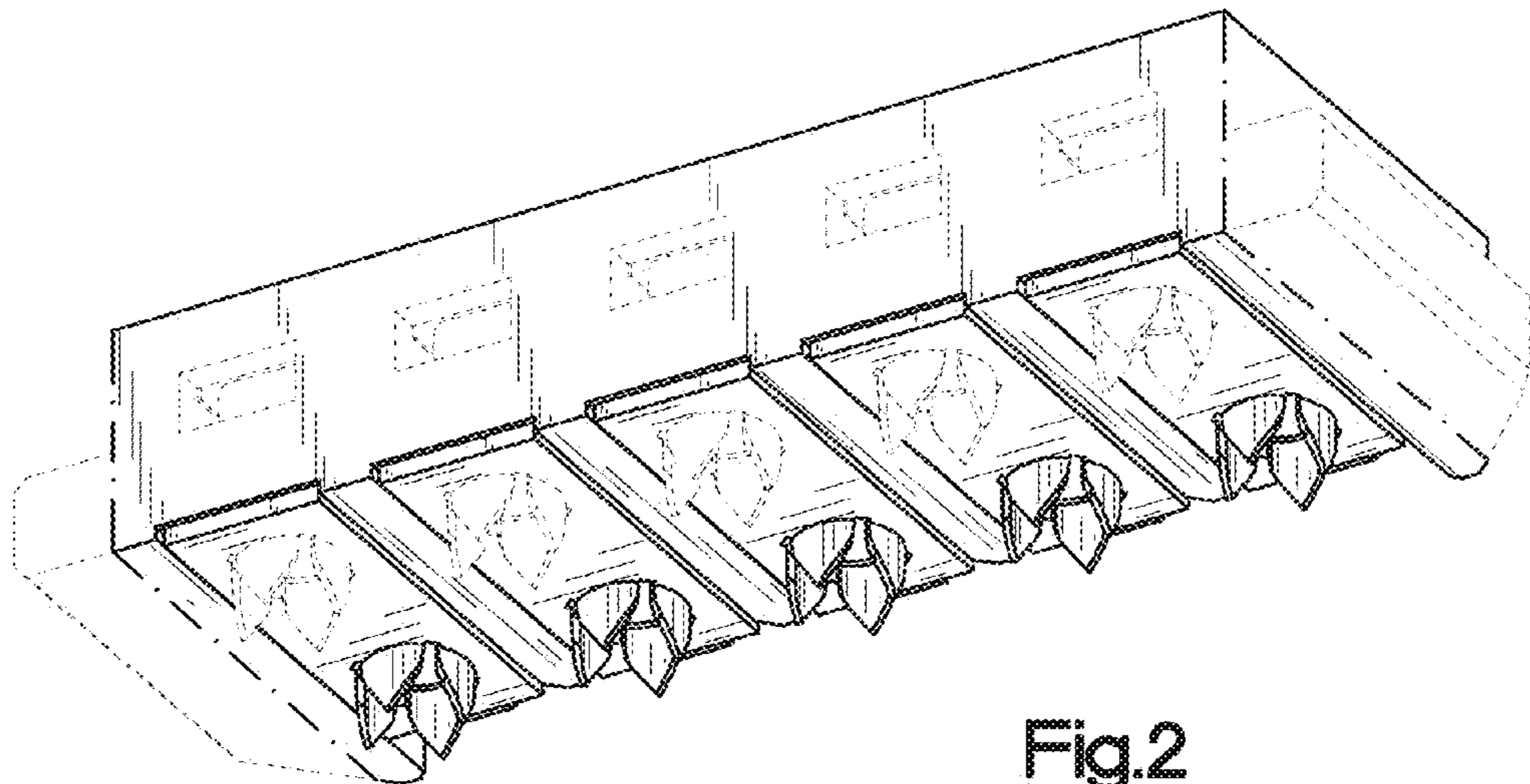


Fig.2

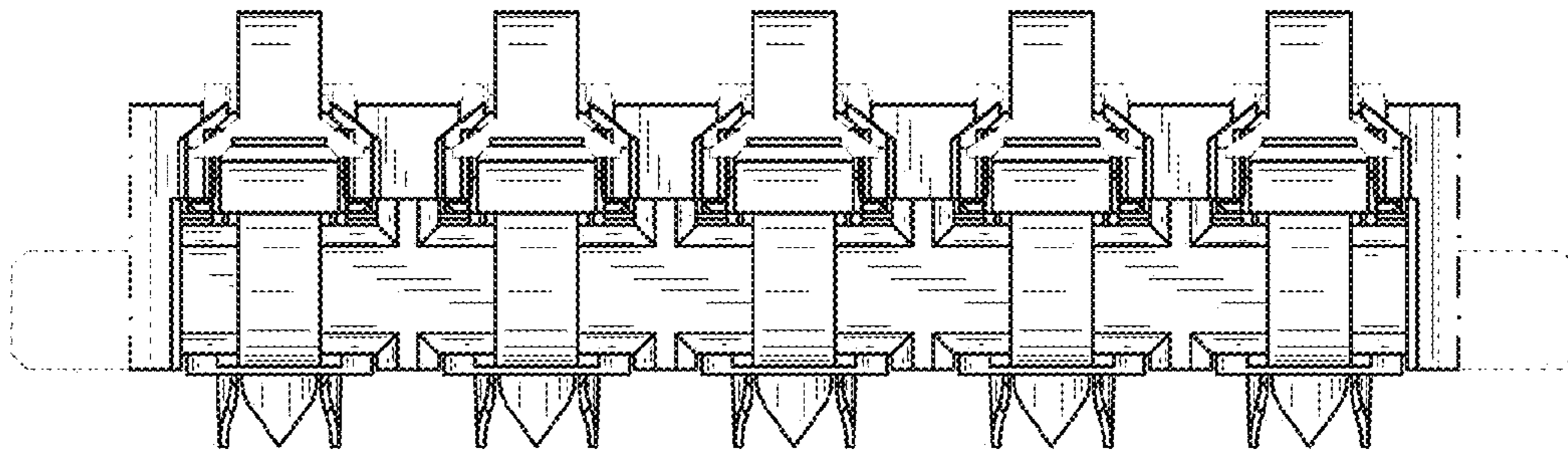


Fig.3

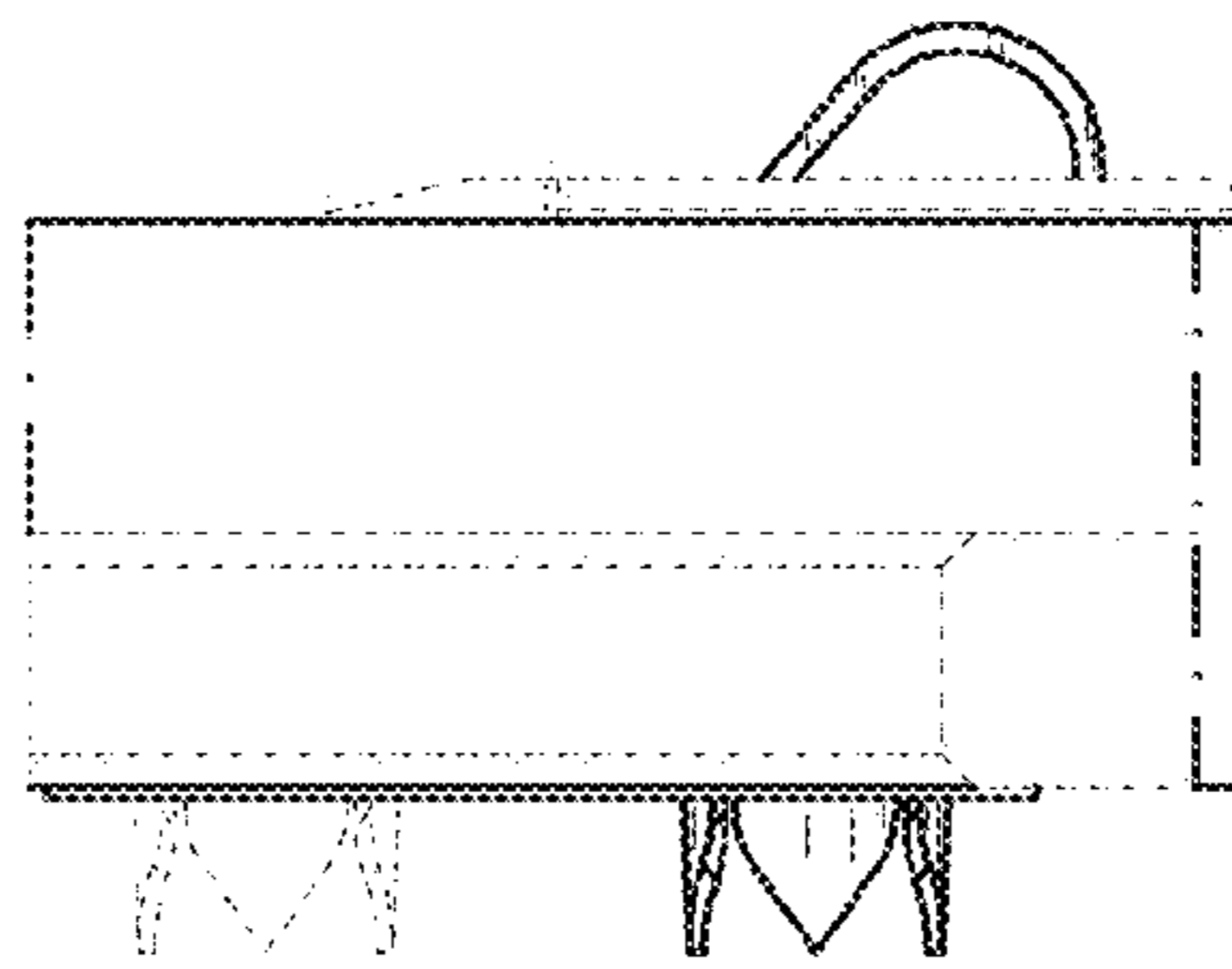


Fig.4

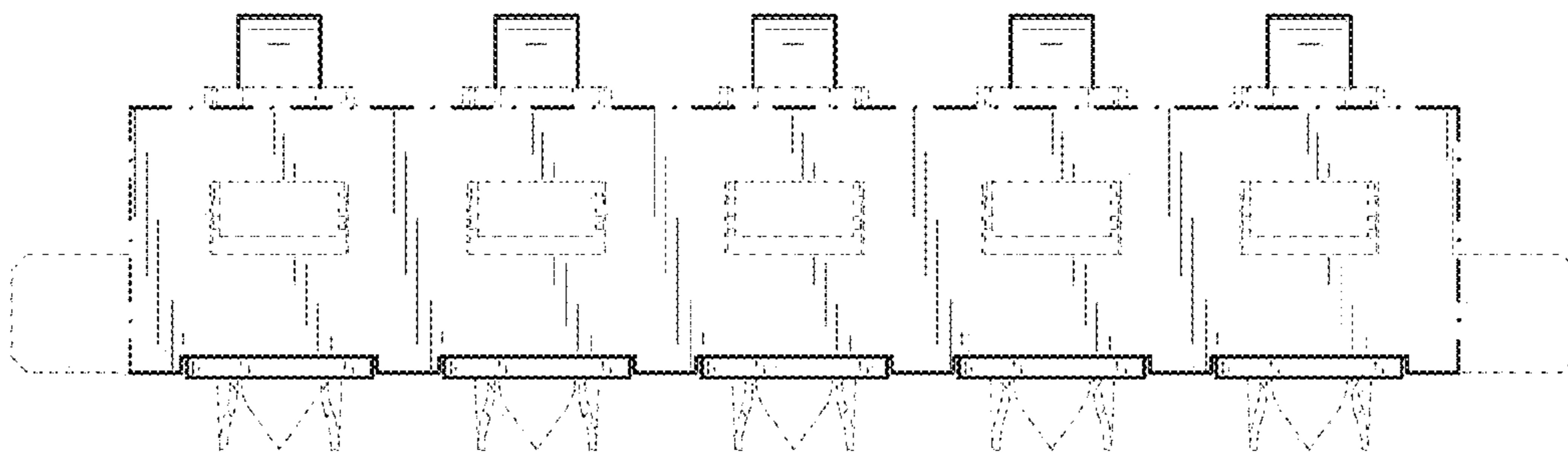


Fig.5

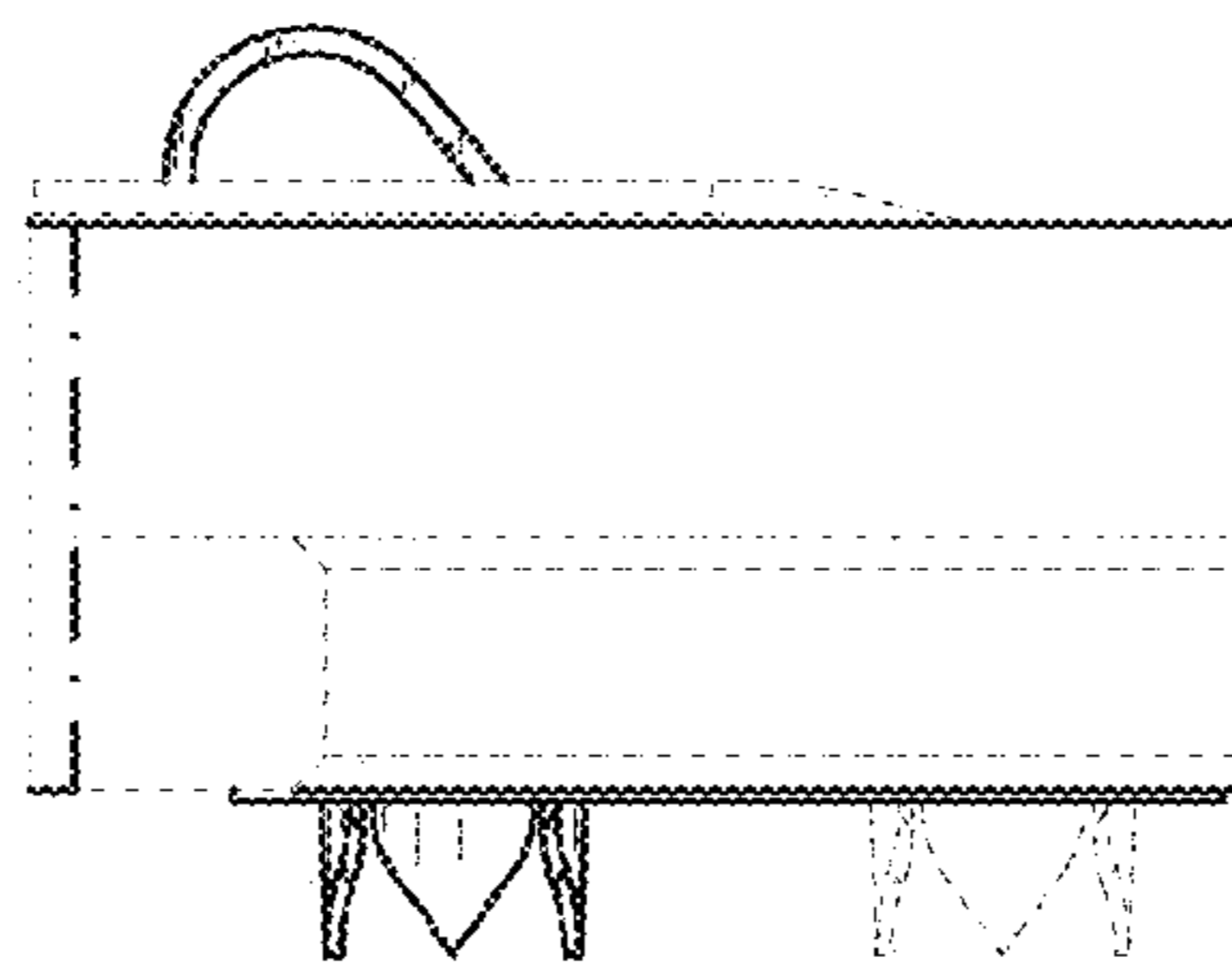


Fig.6

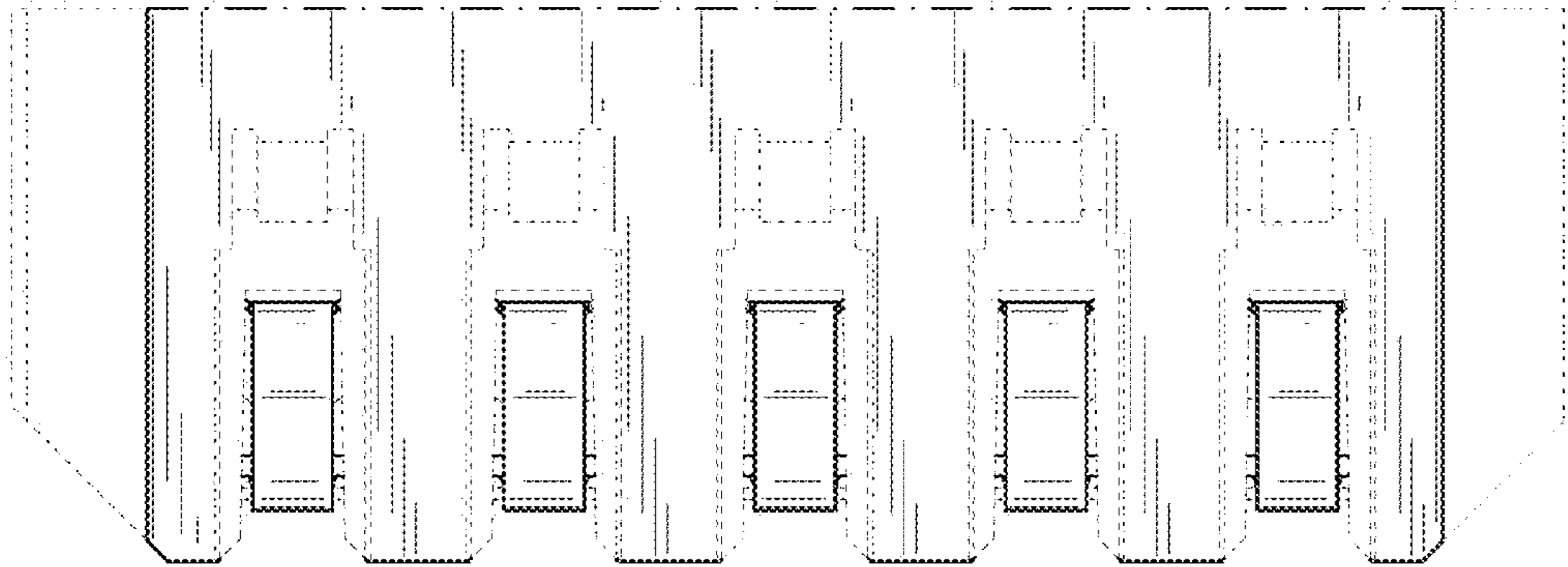


Fig.7

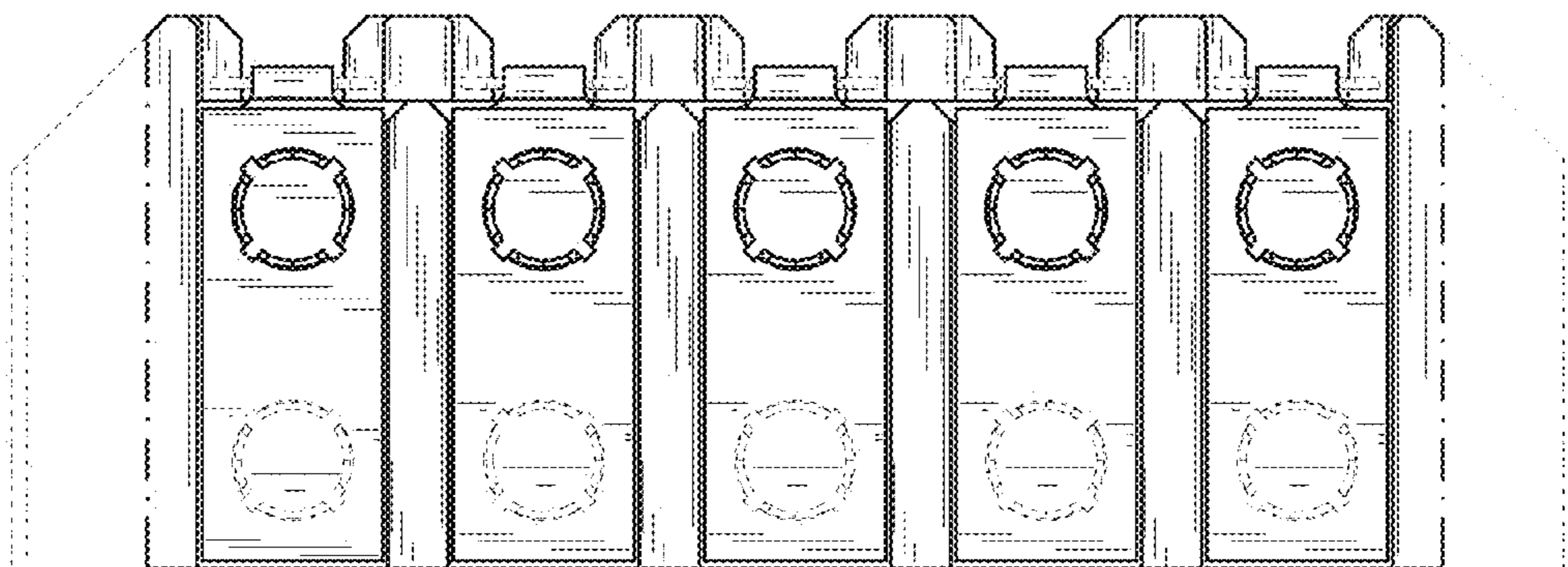


Fig.8