



US00D697868S

(12) **United States Design Patent**  
**Rebsdorf**

(10) **Patent No.:** **US D697,868 S**

(45) **Date of Patent:** **\*\* Jan. 21, 2014**

(54) **COMPLETE NACELLE**

(71) Applicant: **Anders Varming Rebsdorf,**  
Skanderborg (DK)

(72) Inventor: **Anders Varming Rebsdorf,**  
Skanderborg (DK)

(73) Assignee: **Envision Energy (Denmark) APS,**  
Dilkeborg (DK)

(\*\*) Term: **14 Years**

(21) Appl. No.: **29/438,830**

(22) Filed: **Dec. 4, 2012**

(51) **LOC (10) Cl.** ..... **13-01**

(52) **U.S. Cl.**  
USPC ..... **D13/115**

(58) **Field of Classification Search**  
USPC ..... D13/115, 118, 122, 199; D12/319, 344,  
D12/345; D15/1, 199; D21/458; 290/44, 52,  
290/54, 55; 415/2.1, 4.2, 4.5, 7, 907, 916;  
416/7, 16, 24, 31, 37, 38, 132 B, 132 R,  
416/141, 142, 176, 177, 196 A, 243

See application file for complete search history.

(56) **References Cited**

U.S. PATENT DOCUMENTS

D252,572	S	*	8/1979	Hanson	.....	D15/1
D273,579	S	*	4/1984	Martin et al.	.....	D12/345
5,653,406	A	*	8/1997	Amano et al.	.....	244/130
D480,360	S	*	10/2003	Bayly	.....	D13/115
D517,986	S	*	3/2006	Wobben	.....	D13/115
D584,686	S	*	1/2009	Gudewer	.....	D13/115
D587,649	S	*	3/2009	Gudewer	.....	D13/115
D669,853	S	*	10/2012	Rasmussen	.....	D13/115
2004/0057828	A1	*	3/2004	Bosche	.....	416/1
2005/0072067	A1	*	4/2005	Wobben	.....	52/155

\* cited by examiner

*Primary Examiner* — Derrick Holland

(74) *Attorney, Agent, or Firm* — Lowe Hauptman & Ham, LLP

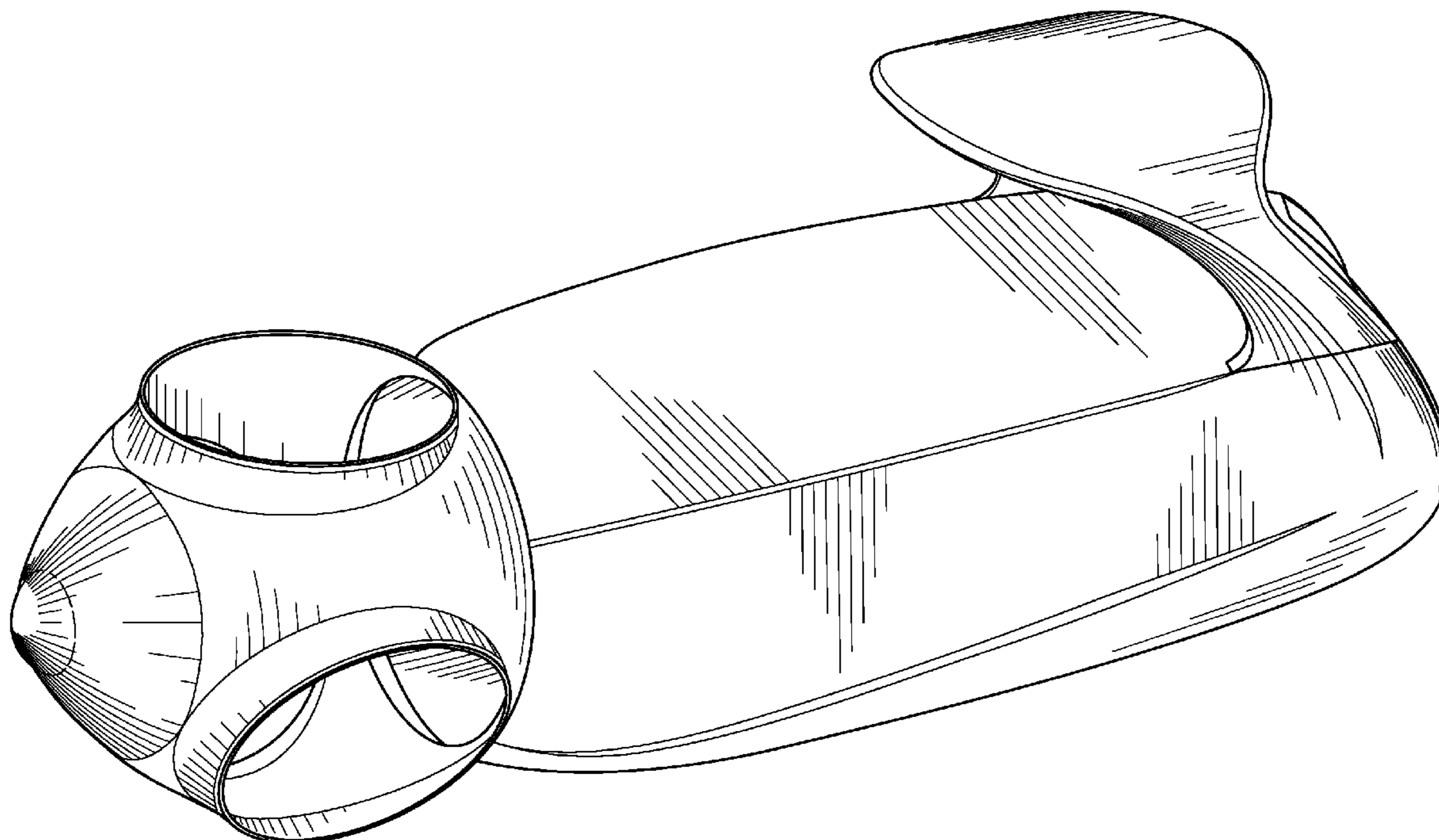
(57) **CLAIM**

The ornamental design for a complete nacelle, as shown.

**DESCRIPTION**

FIG. 1 is a perspective view of the complete nacelle;  
FIG. 2 is a front view thereof;  
FIG. 3 is a rear view thereof;  
FIG. 4 is a right side view thereof;  
FIG. 5 is a left side view thereof;  
FIG. 6 is a top view thereof; and,  
FIG. 7 is a bottom view thereof.

**1 Claim, 7 Drawing Sheets**



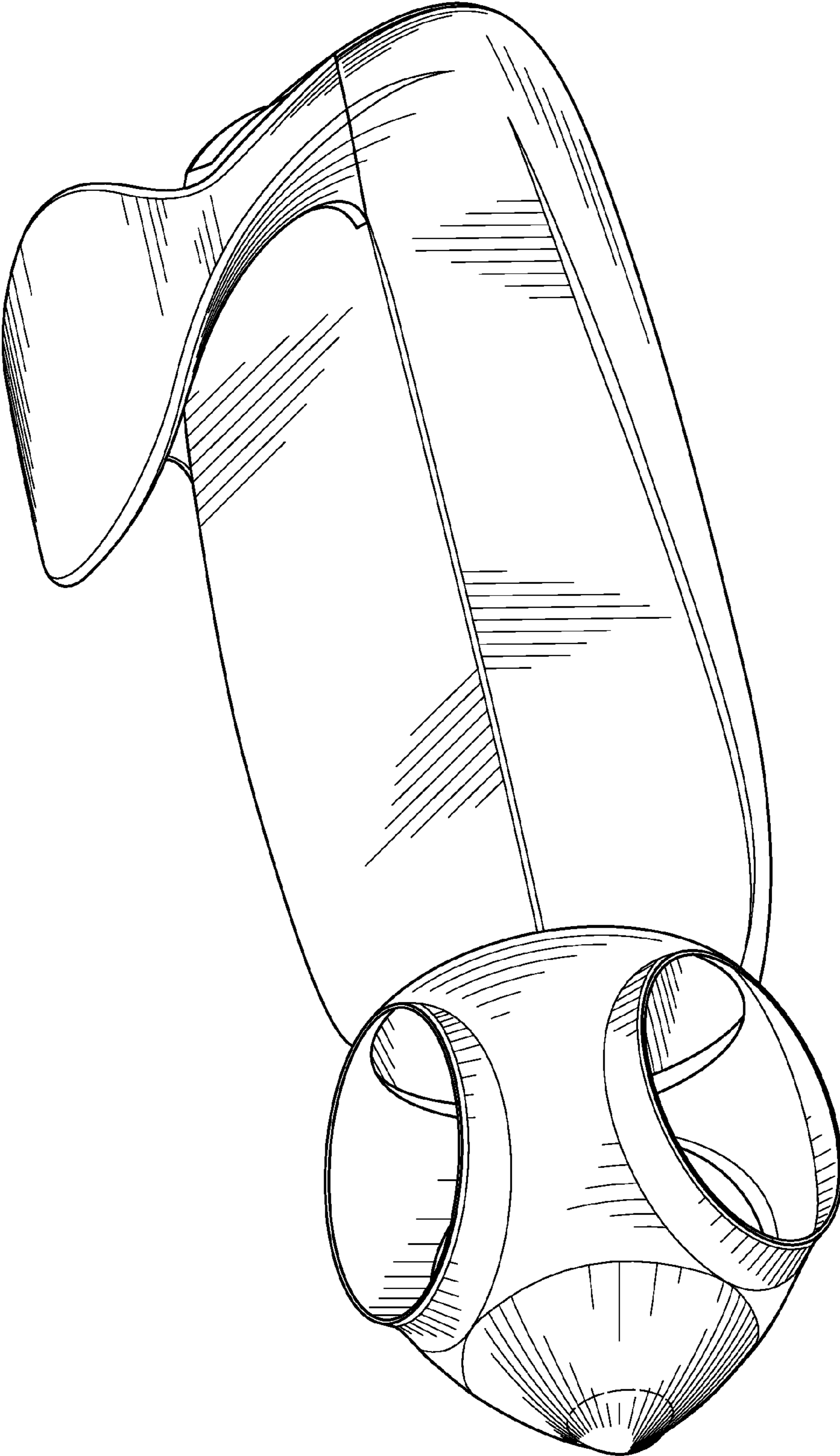


FIG. 1

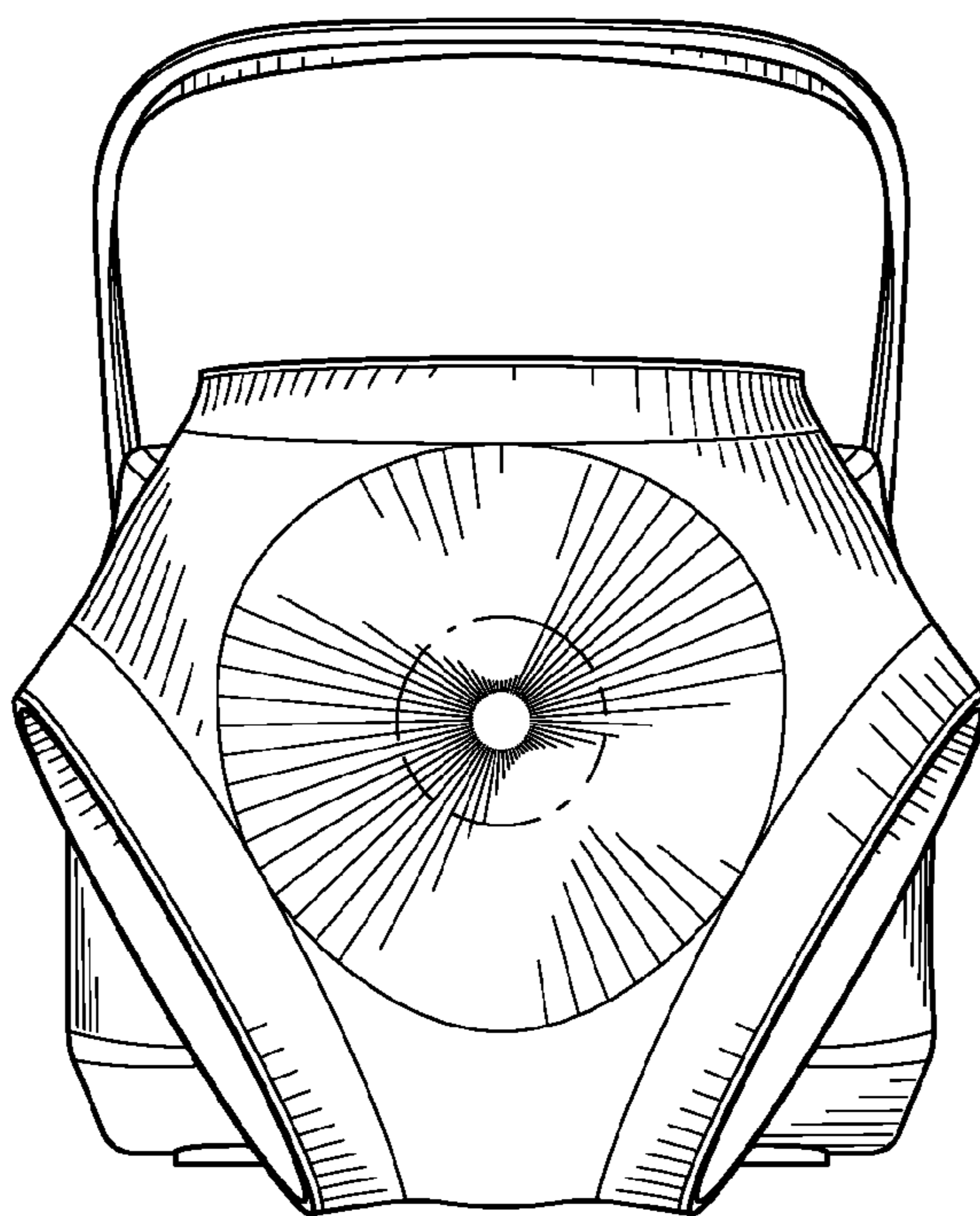


FIG. 2

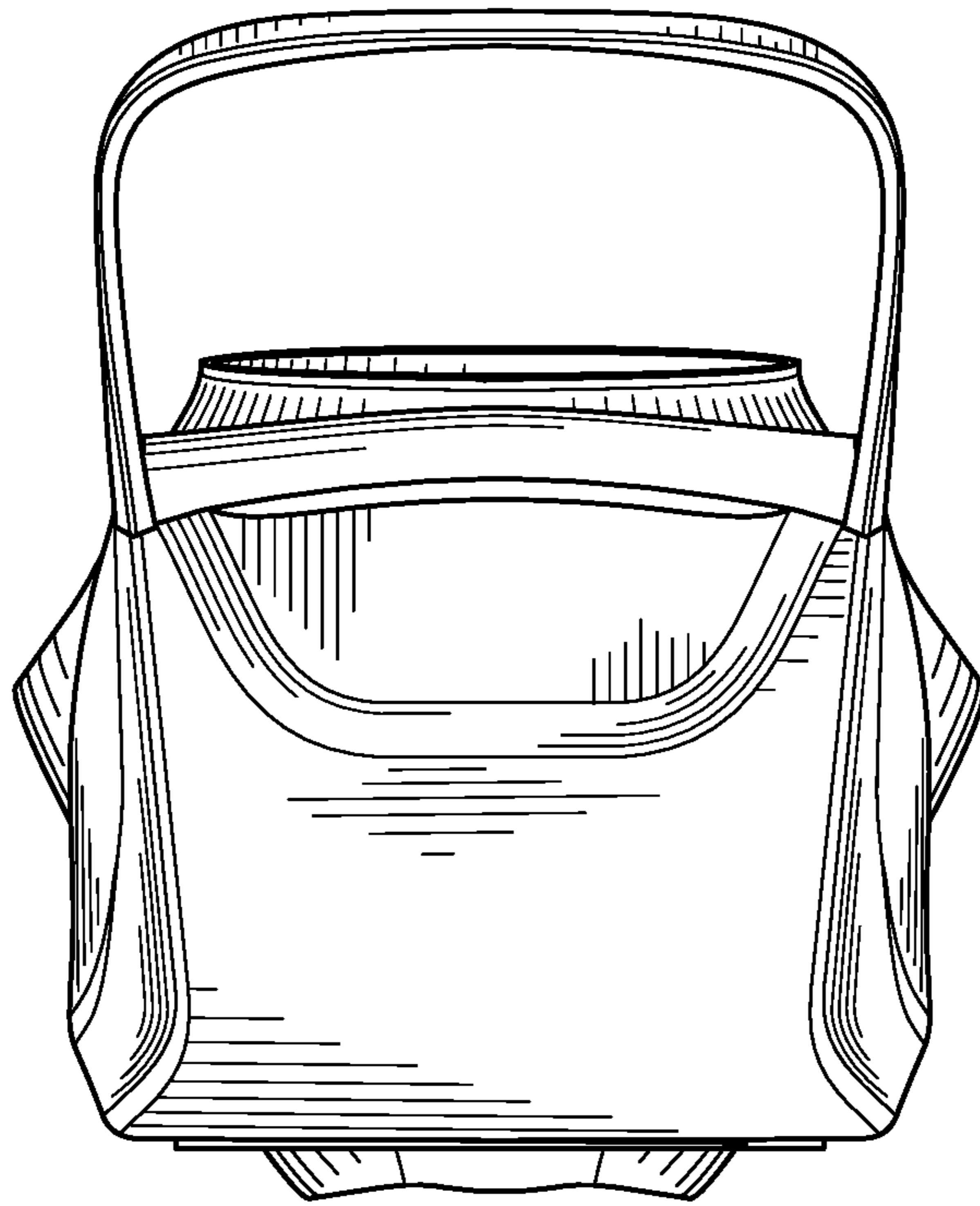


FIG. 3

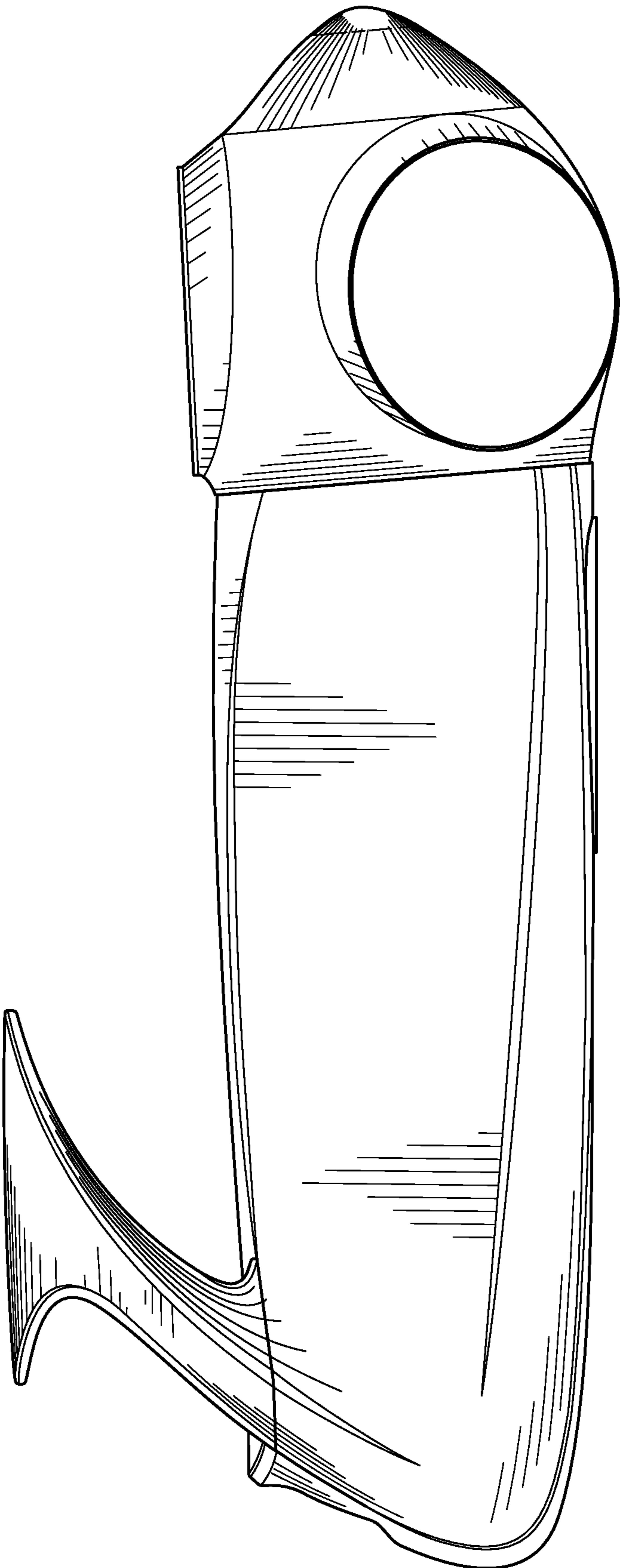


FIG. 4

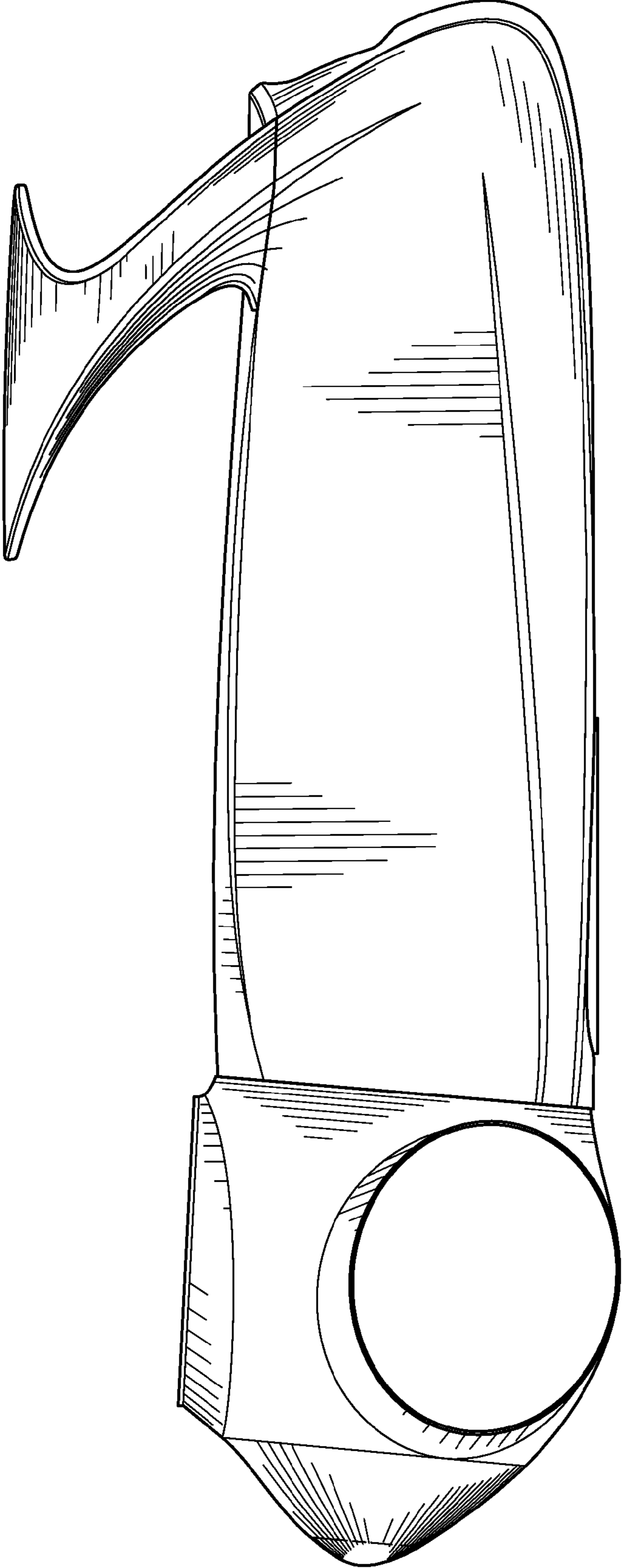


FIG. 5

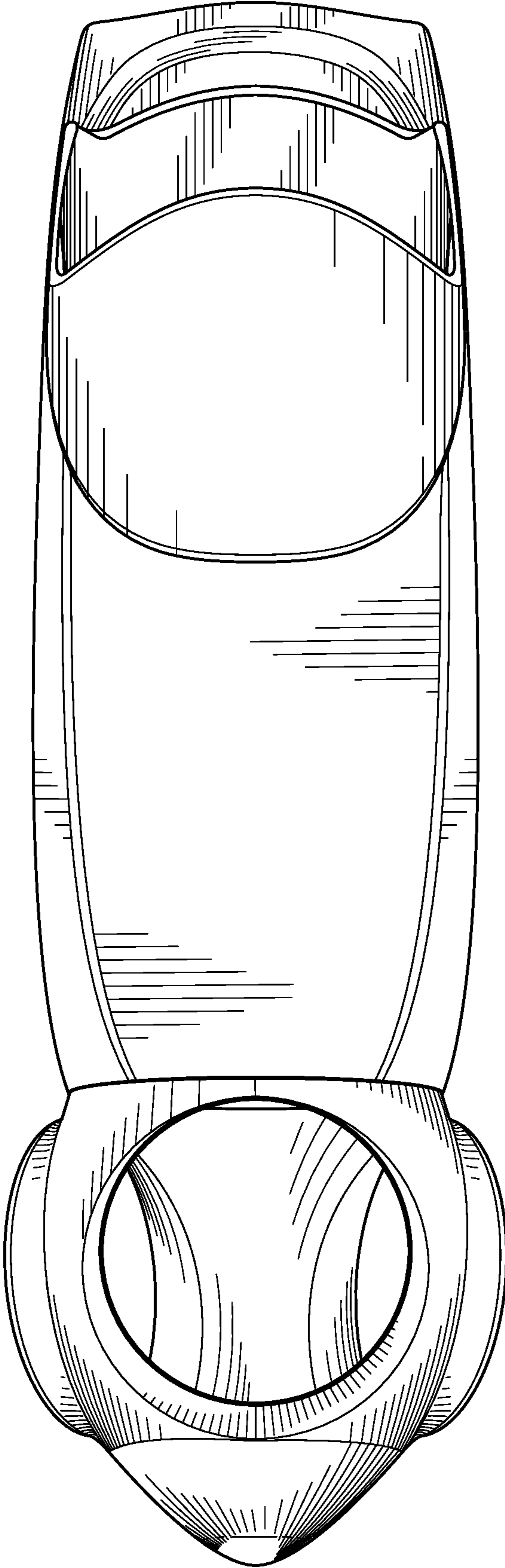


FIG. 6

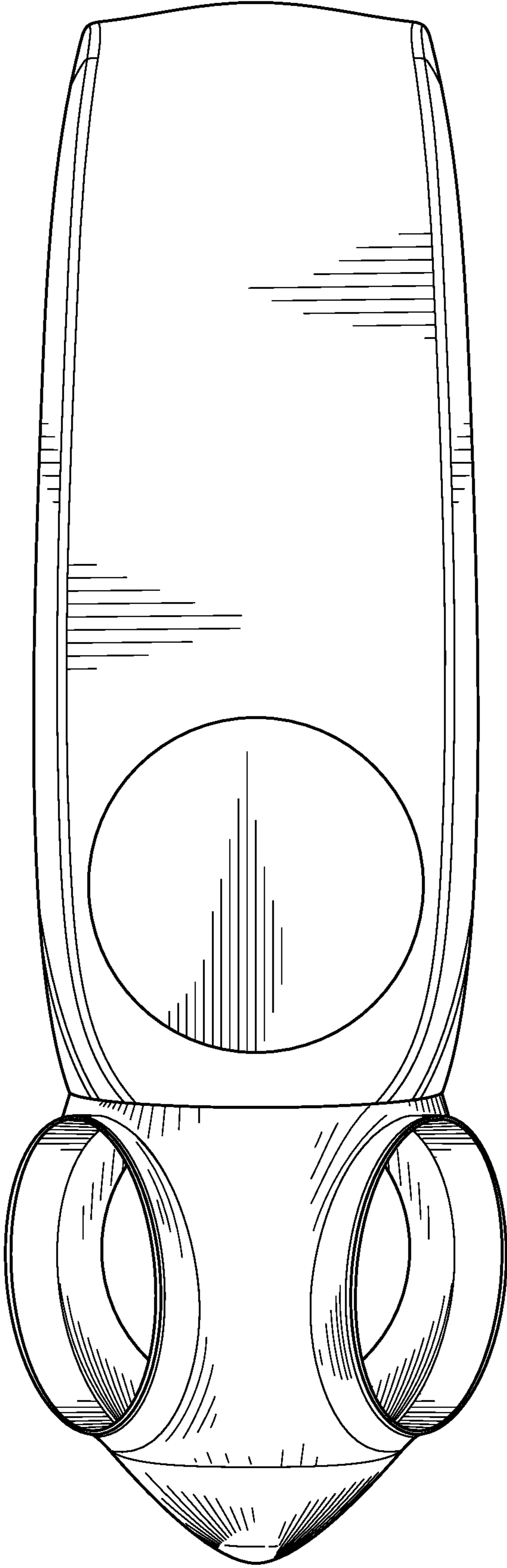


FIG. 7