



US00D697866S

(12) **United States Design Patent**
Inskeep

(10) **Patent No.:** **US D697,866 S**

(45) **Date of Patent:** **** *Jan. 21, 2014**

(54) **JUMP STARTER**

(71) Applicant: **Mathew Inskeep**, Boca Raton, FL (US)

(72) Inventor: **Mathew Inskeep**, Boca Raton, FL (US)

(*) Notice: This patent is subject to a terminal disclaimer.

(**) Term: **14 Years**

(21) Appl. No.: **29/436,110**

(22) Filed: **Nov. 1, 2012**

(51) **LOC (10) CL.** **13-02**

(52) **U.S. Cl.**
USPC **D13/107**

(58) **Field of Classification Search**
USPC D13/106-110, 118-119, 184, 199;
D15/9; 320/103-115
See application file for complete search history.

(56) **References Cited**

U.S. PATENT DOCUMENTS

D479,194 S * 9/2003 Casarella D13/107
D530,664 S * 10/2006 Wingerter et al. D13/107

D610,982 S * 3/2010 Shum et al. D13/107
D615,490 S * 5/2010 Chien D13/107
D635,510 S * 4/2011 Inskeep D13/107
D636,331 S * 4/2011 Inskeep D13/107
2011/0187322 A1* 8/2011 Inskeep 320/109

* cited by examiner

Primary Examiner — Rosemary K Tarcza

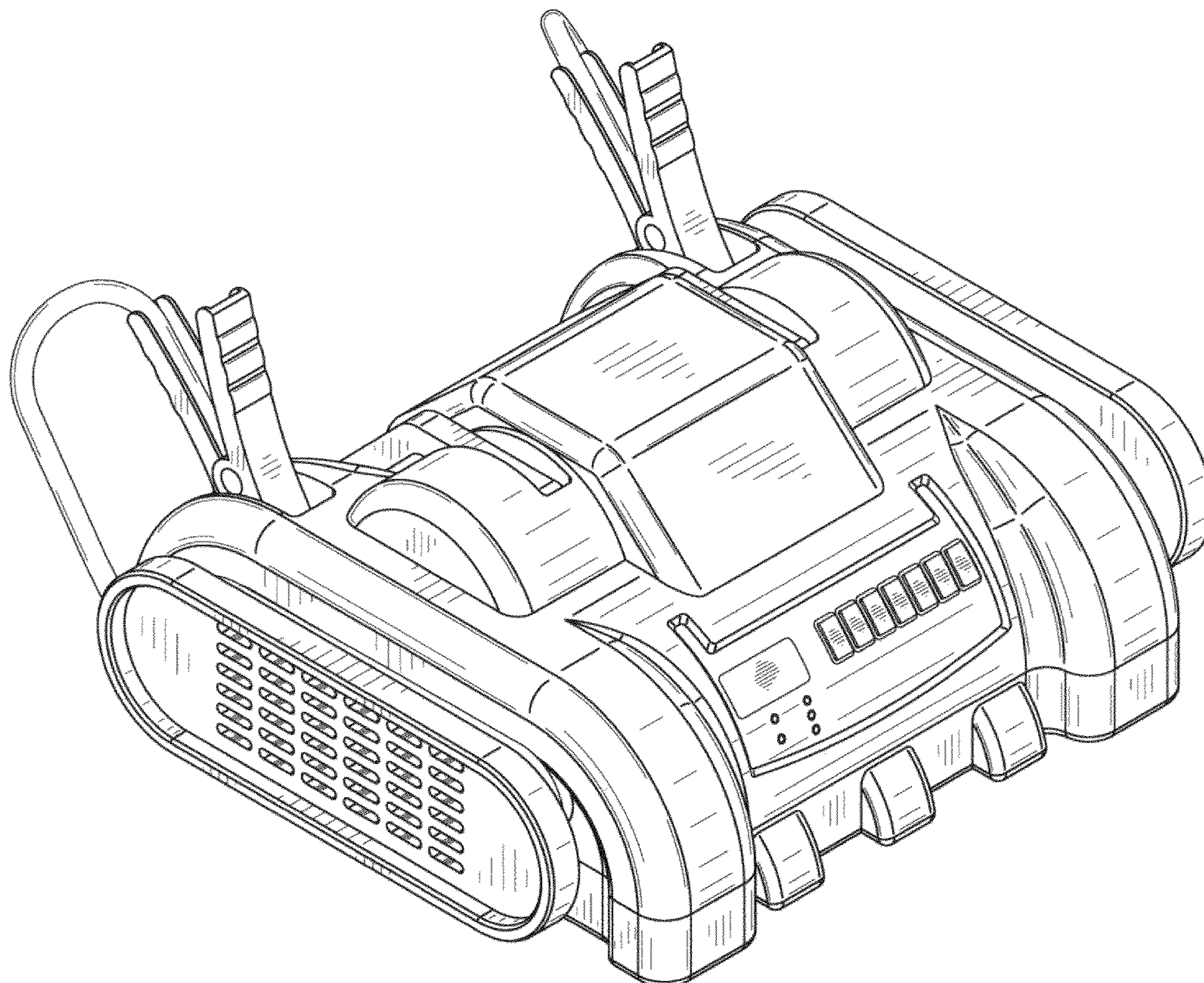
(57) **CLAIM**

I, Mathew Inskeep, claim the ornamental design for a jump starter, as shown and described.

DESCRIPTION

FIG. 1 is a top perspective view of the jump starter showing my new design.
FIG. 2 is a bottom perspective view.
FIG. 3 is a top view with the cables unhooked.
FIG. 4 is a top view.
FIG. 5 is a bottom view.
FIG. 6 is a front view thereof.
FIG. 7 is a back view thereof; and,
FIG. 8 is a left side view.

1 Claim, 7 Drawing Sheets



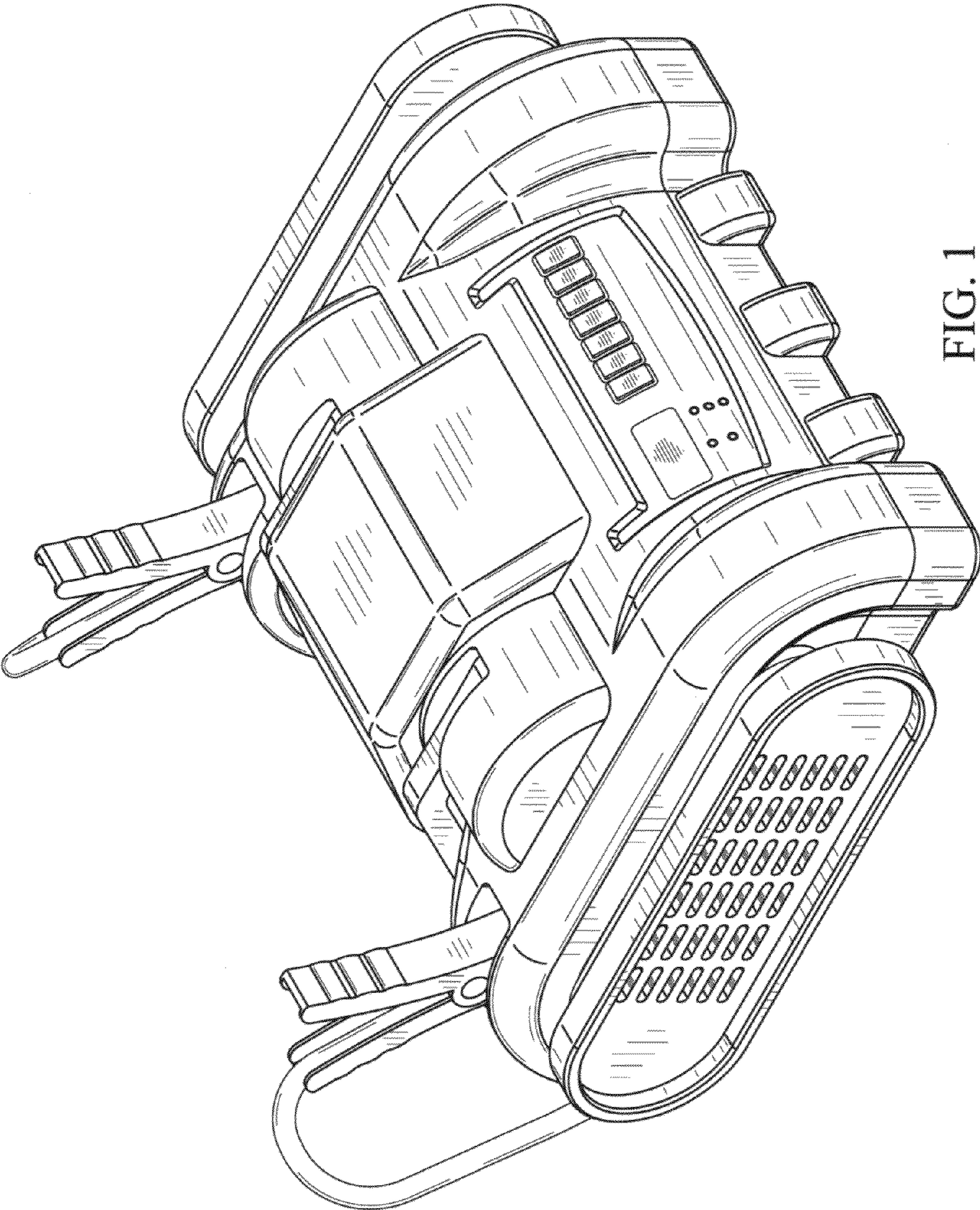


FIG. 1

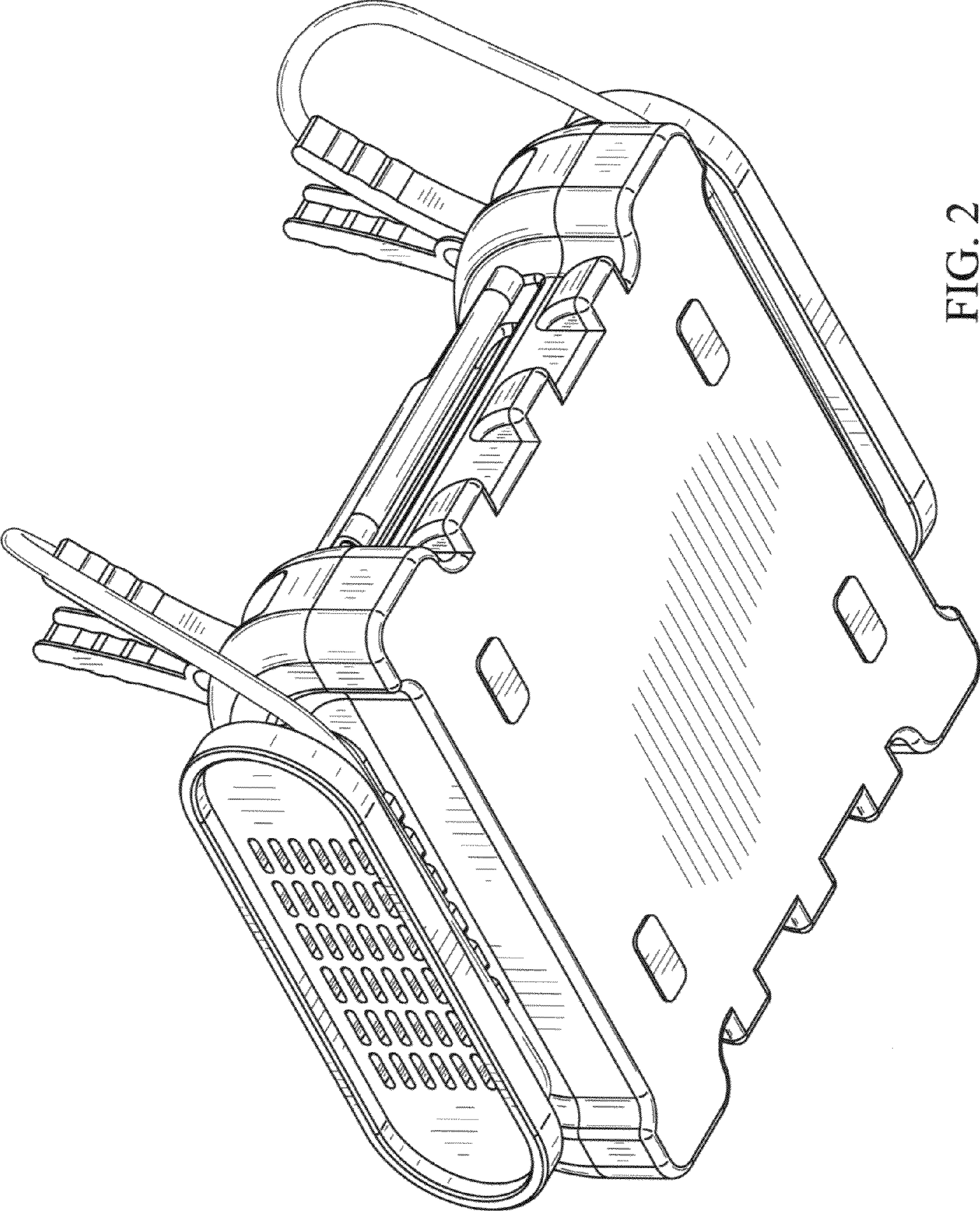


FIG. 2

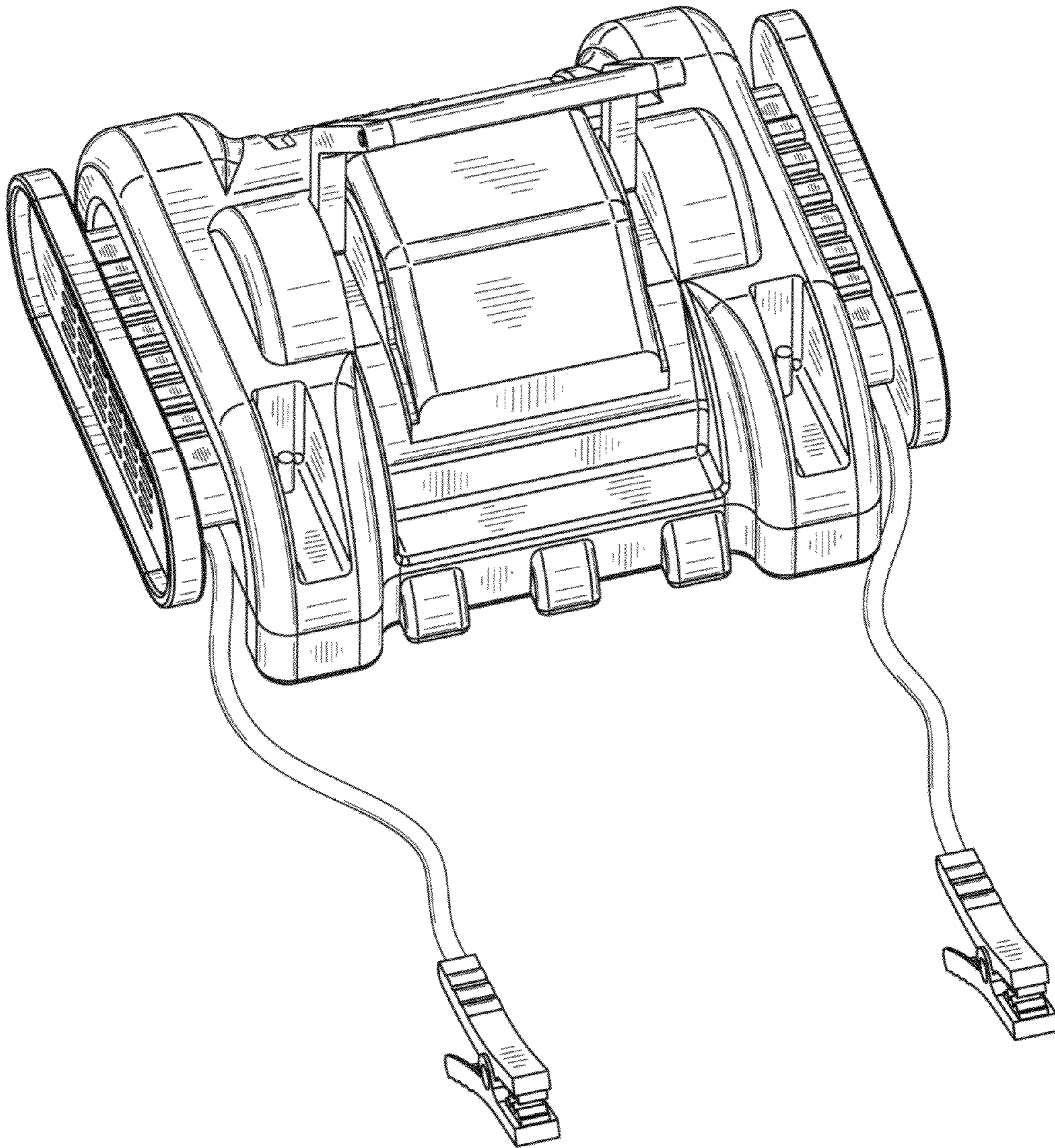


FIG. 3

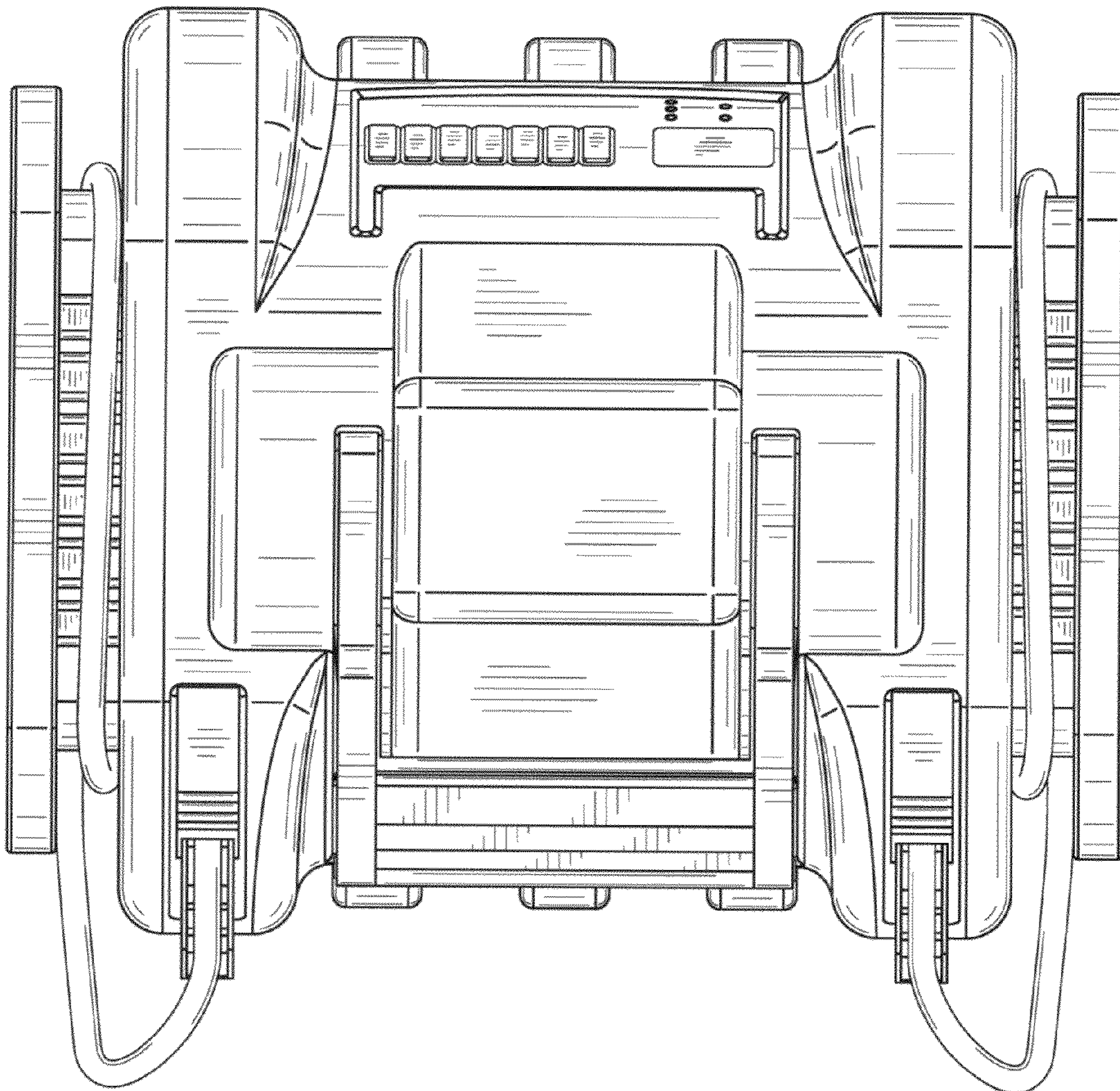


FIG. 4

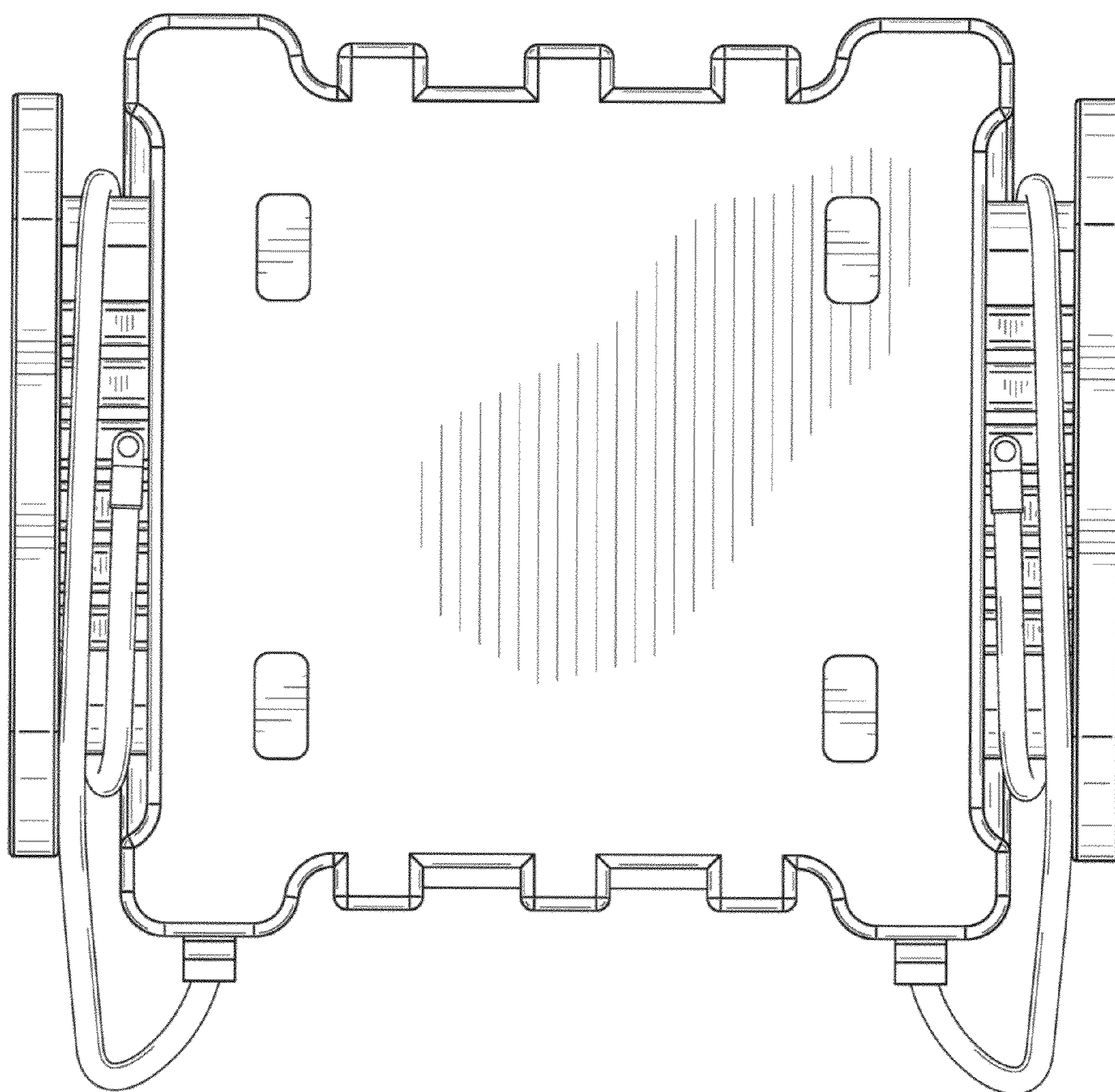


FIG. 5

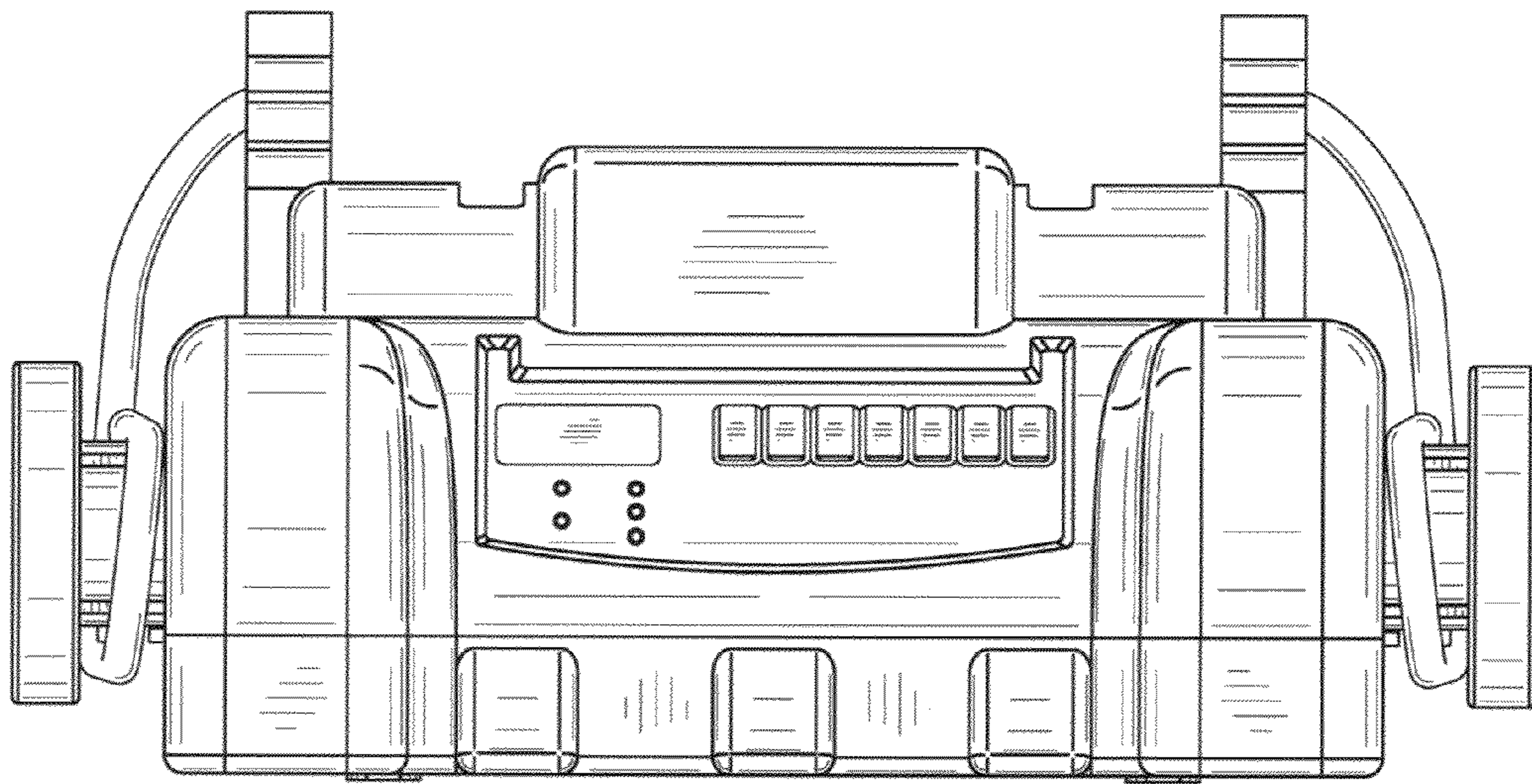


FIG. 6

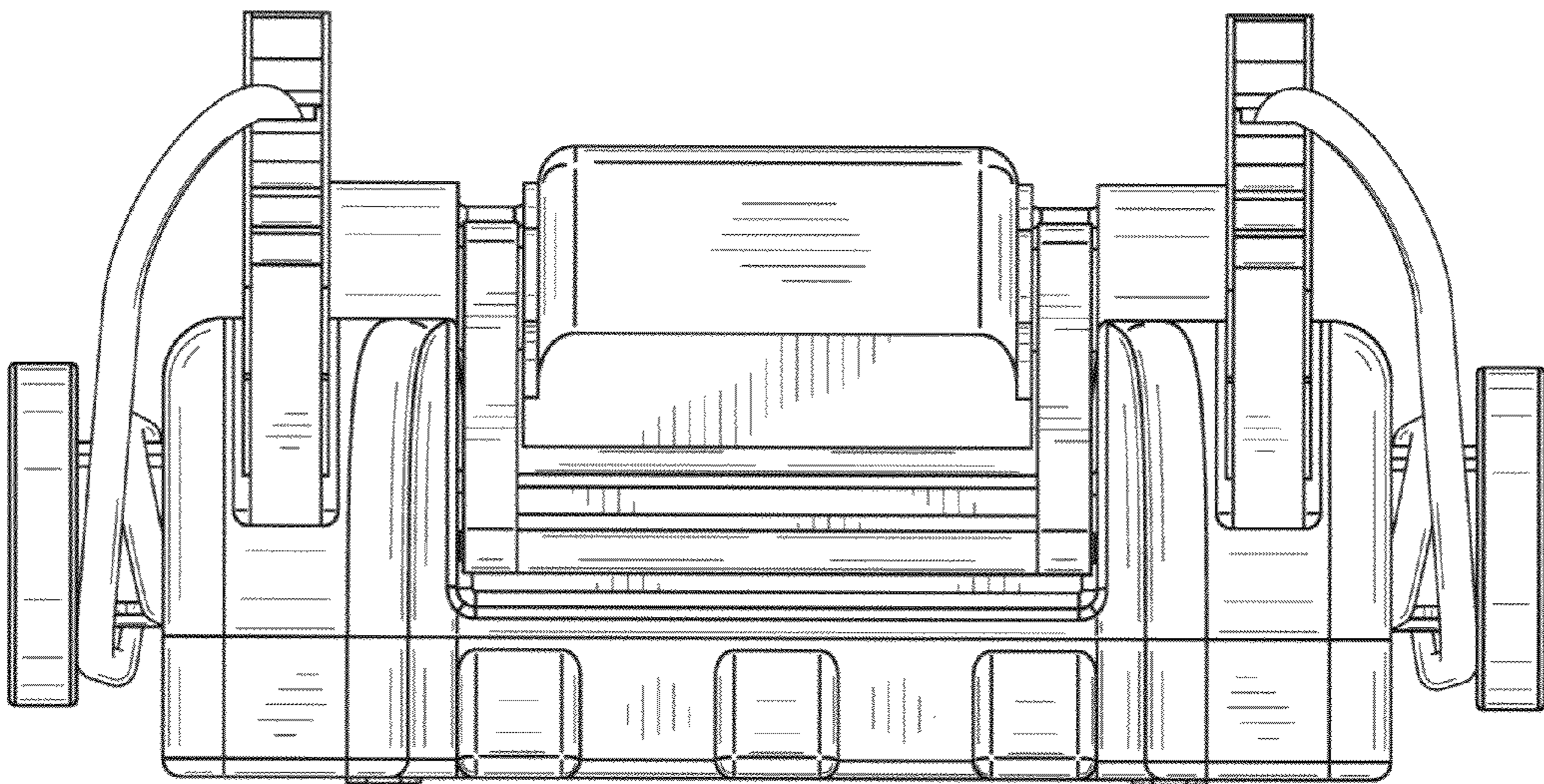


FIG. 7

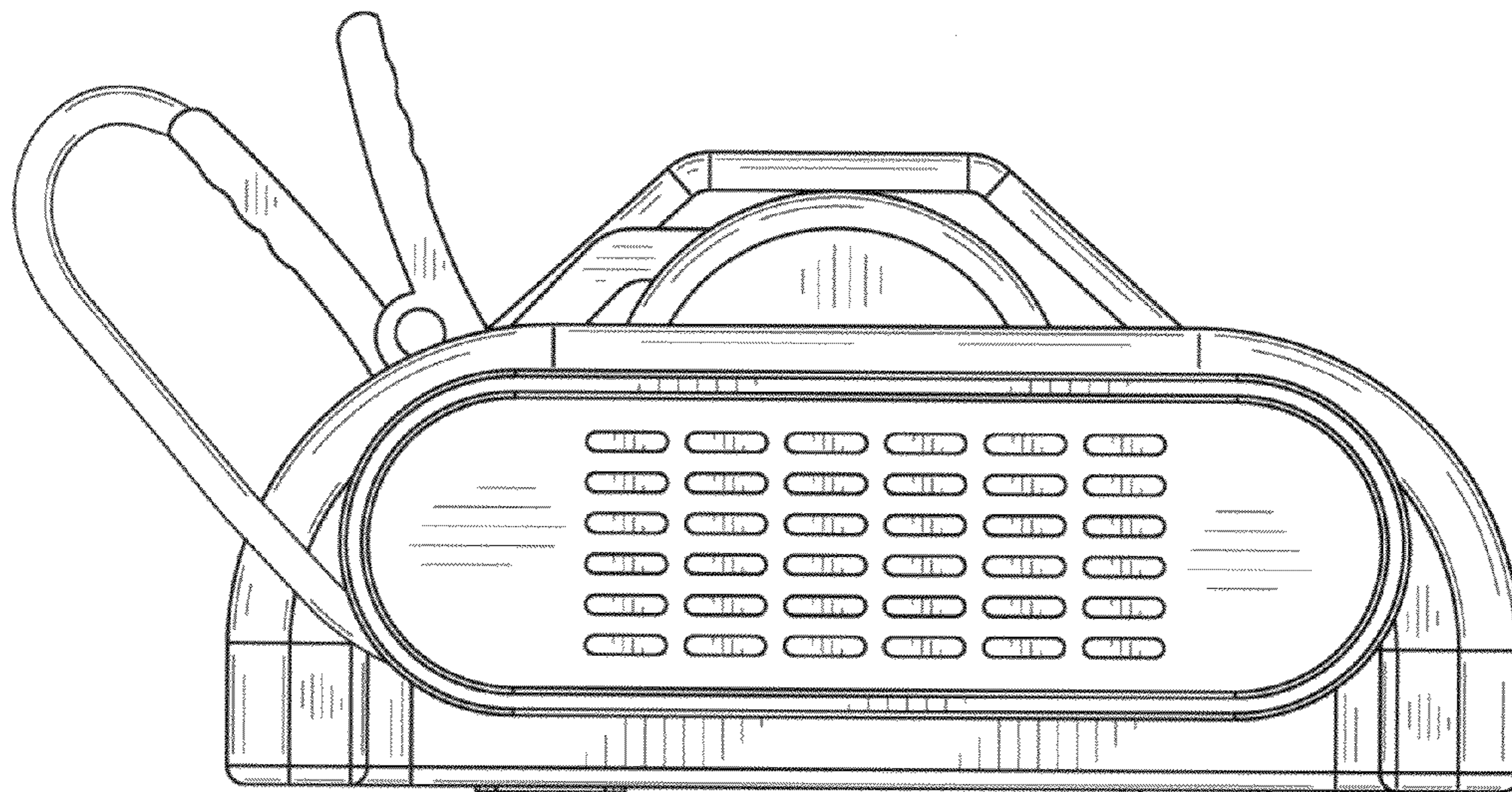


FIG. 8