



US00D697865S

(12) **United States Design Patent**  
**Saito et al.**

(10) **Patent No.:** **US D697,865 S**  
(45) **Date of Patent:** **\*\* Jan. 21, 2014**

(54) **BATTERY**

(75) Inventors: **Masaki Saito**, Kyoto (JP); **Shinji Oda**,  
Kusatsu (JP); **Takuo Nomi**, Sumoto (JP)

(73) Assignee: **SANYO Electric Co., Ltd.**,  
Moriguchi-shi, Osaka (JP)

(\*\*) Term: **14 Years**

(21) Appl. No.: **29/402,321**

(22) Filed: **Sep. 22, 2011**

(30) **Foreign Application Priority Data**

Apr. 26, 2011 (JP) ..... 2011-009631  
Apr. 26, 2011 (JP) ..... 2011-009632

(51) **LOC (10) Cl.** ..... **13-02**

(52) **U.S. Cl.**  
USPC ..... **D13/103**

(58) **Field of Classification Search**  
USPC ..... D13/102–106, 110, 118–119, 184;  
429/96–100, 149, 163, 187  
See application file for complete search history.

(56) **References Cited**

**U.S. PATENT DOCUMENTS**

D240,630	S	*	7/1976	Matsuntani	.....	D13/102
D337,328	S	*	7/1993	Beaumont et al.	.....	D14/142
D349,687	S	*	8/1994	Khoo et al.	.....	D13/162
D533,831	S	*	12/2006	Kim	.....	D13/103
D593,940	S	*	6/2009	Nomi et al.	.....	D13/103
D601,490	S	*	10/2009	Zhu et al.	.....	D13/102
D604,725	S	*	11/2009	Chen	.....	D14/240
D610,538	S	*	2/2010	Wu et al.	.....	D13/103
D622,213	S	*	8/2010	Nomi et al.	.....	D13/103
D623,124	S	*	9/2010	Nomi et al.	.....	D13/103
D657,310	S	*	4/2012	Fahrendorff et al.	.....	D13/110
D660,229	S	*	5/2012	Tseng	.....	D13/110
D661,249	S	*	6/2012	Smith et al.	.....	D13/110

**FOREIGN PATENT DOCUMENTS**

JP	1324316	S	3/2008
JP	1324317	S	3/2008
JP	1342677	S	10/2008

(Continued)

*Primary Examiner* — Rosemary K Tarcza

(74) *Attorney, Agent, or Firm* — Westerman, Hattori,  
Daniels & Adrian, LLP

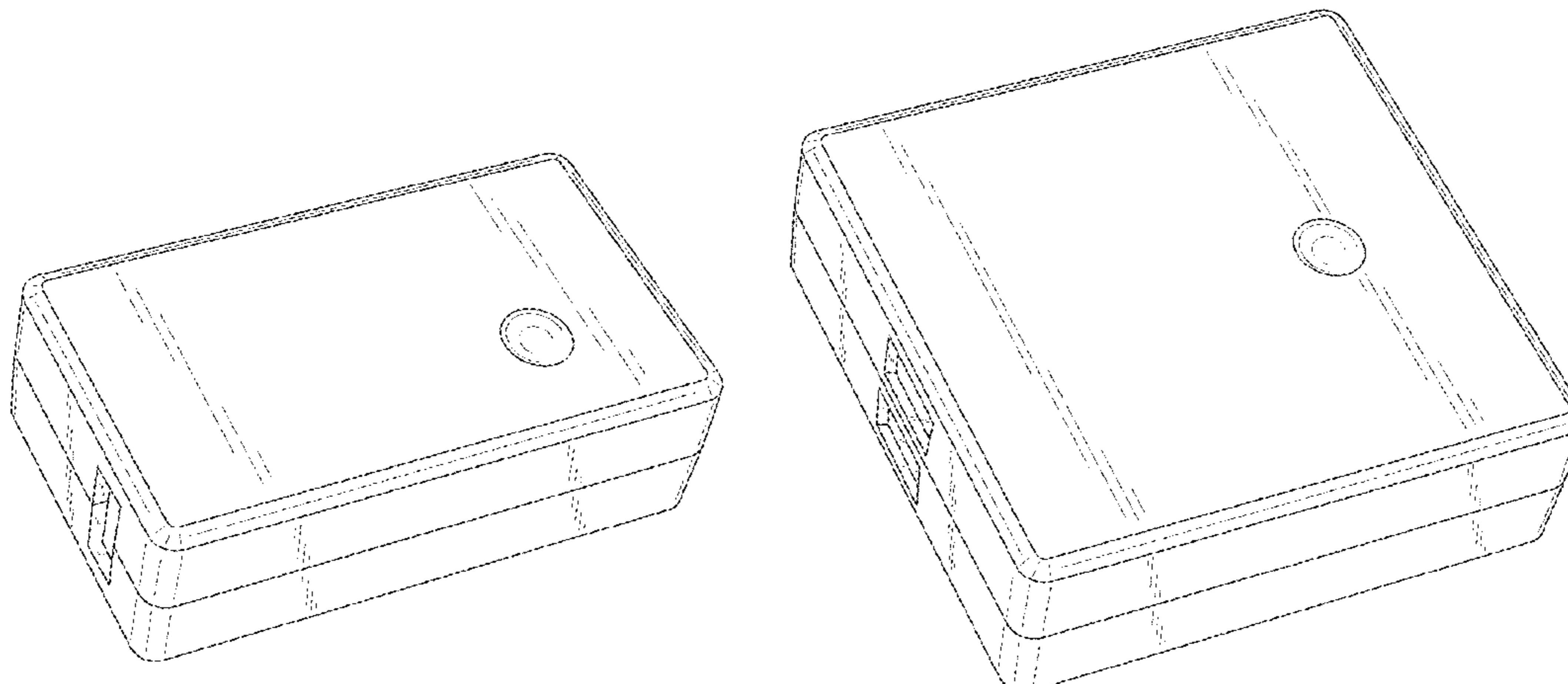
(57) **CLAIM**

The ornamental design for a battery, as shown and described.

**DESCRIPTION**

FIG. 1 is a slight left perspective view of a first embodiment of a battery, showing our new design;  
 FIG. 2 is a front elevational view thereof;  
 FIG. 3 is a rear elevational view thereof;  
 FIG. 4 is a top plan view thereof, the bottom plan view being a mirror image thereof;  
 FIG. 5 is a right side elevational view thereof;  
 FIG. 6 is a left side elevational view thereof;  
 FIG. 7 is a cross-sectional view taken along line 7-7 of FIG. 2;  
 FIG. 8 is a cross-sectional view taken along line 8-8 of FIG. 2;  
 FIG. 9 is a slight left perspective view of a second embodiment of a battery, showing our new design;  
 FIG. 10 is a front elevational view thereof;  
 FIG. 11 is a rear elevational view thereof;  
 FIG. 12 is a top plan view thereof, the bottom plan view being a mirror image thereof;  
 FIG. 13 is a right side elevational view thereof;  
 FIG. 14 is a left side elevational view thereof;  
 FIG. 15 is a cross-sectional view taken along line 15-15 of FIG. 10; and,  
 FIG. 16 is a cross-sectional view taken along line 16-16 of FIG. 10.  
 The broken lines illustrate environmental structure and form no part of the claimed design.

**1 Claim, 12 Drawing Sheets**



# US D697,865 S

Page 2

---

(56)	<b>References Cited</b>	JP	1342984 S	10/2008
		JP	1342985 S	10/2008
		JP	1381987 S	3/2010
	FOREIGN PATENT DOCUMENTS			
JP	1342983 S	10/2008		* cited by examiner

FIG. 1

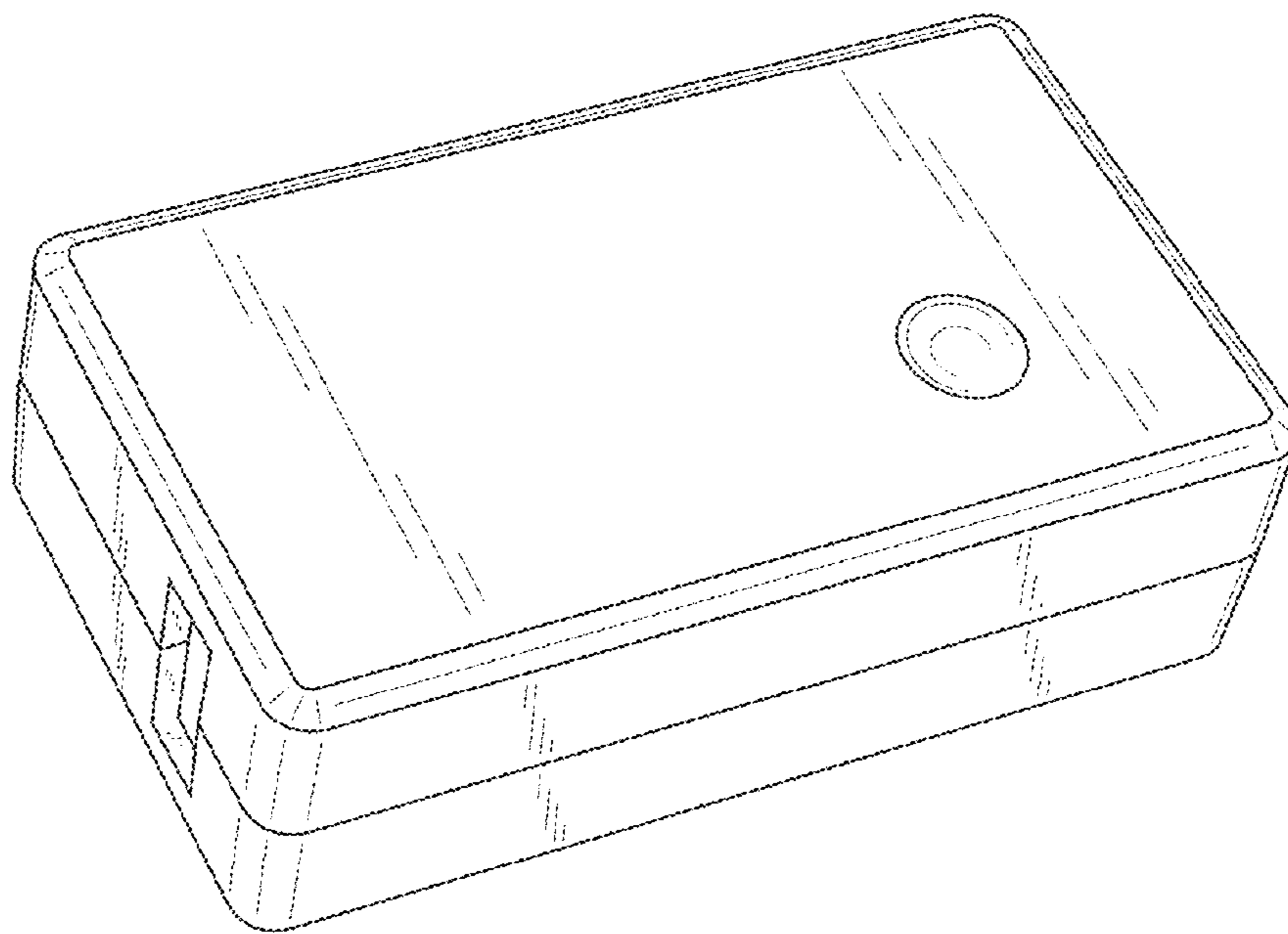


FIG. 2

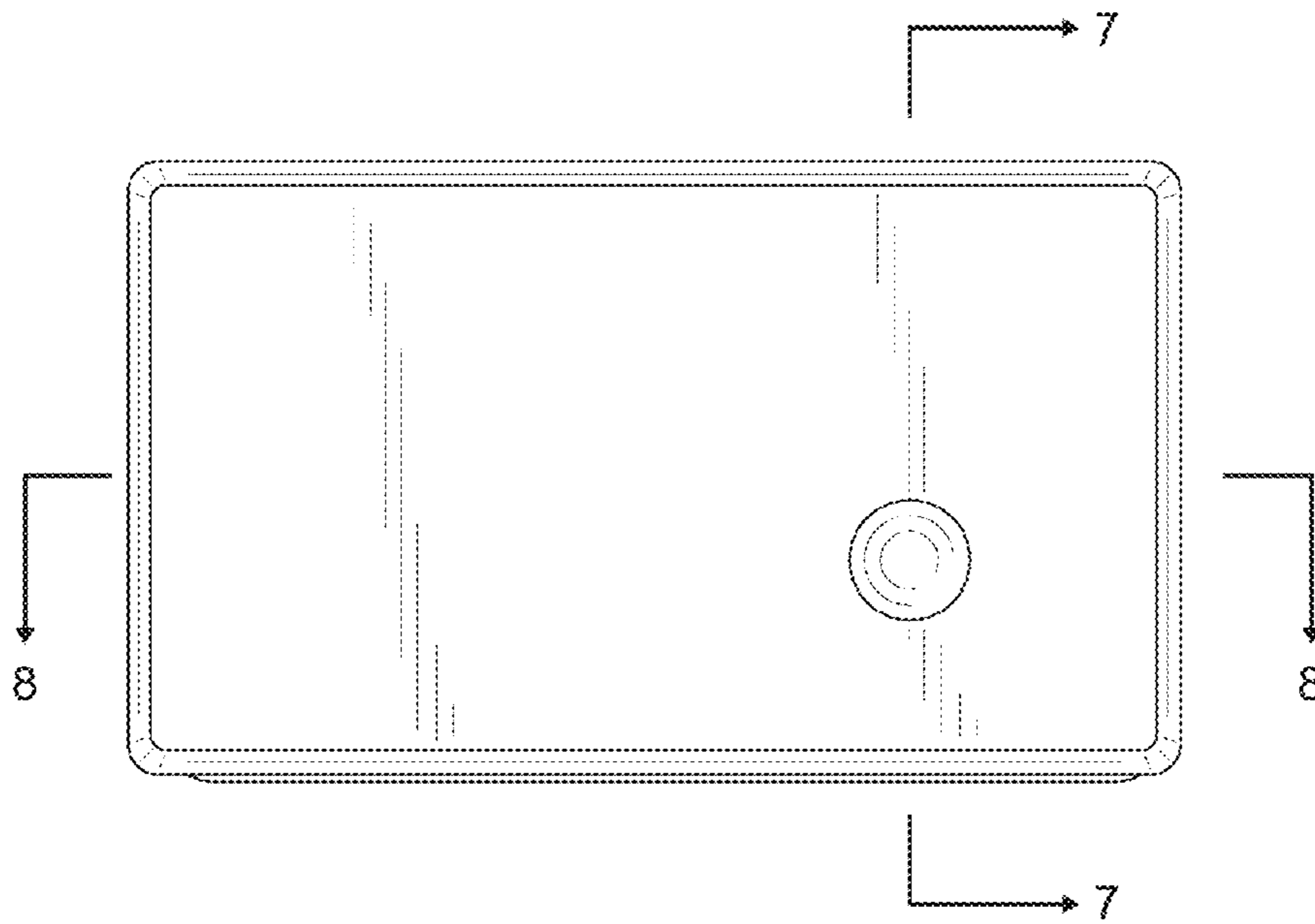


FIG. 3

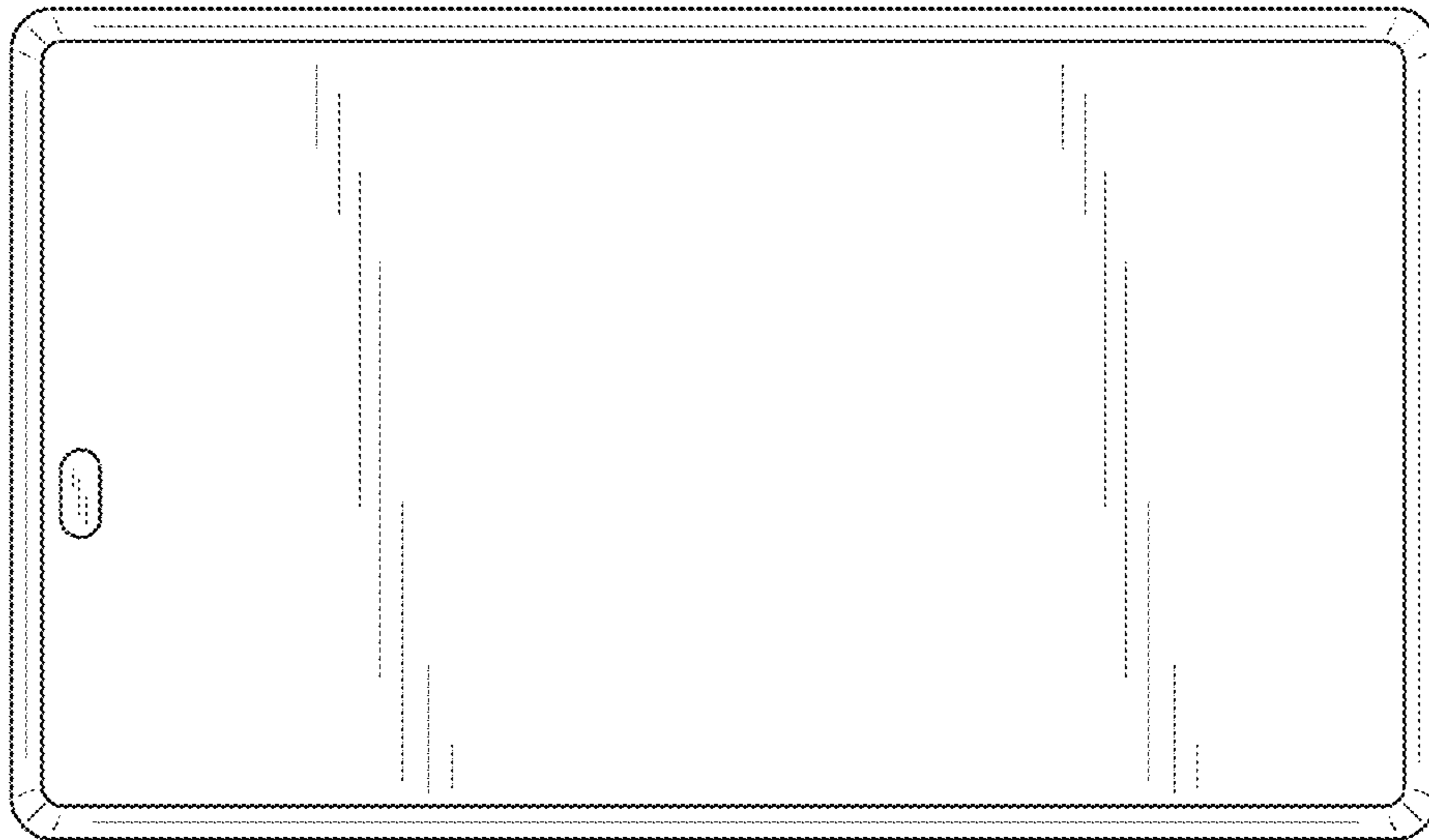


FIG.4

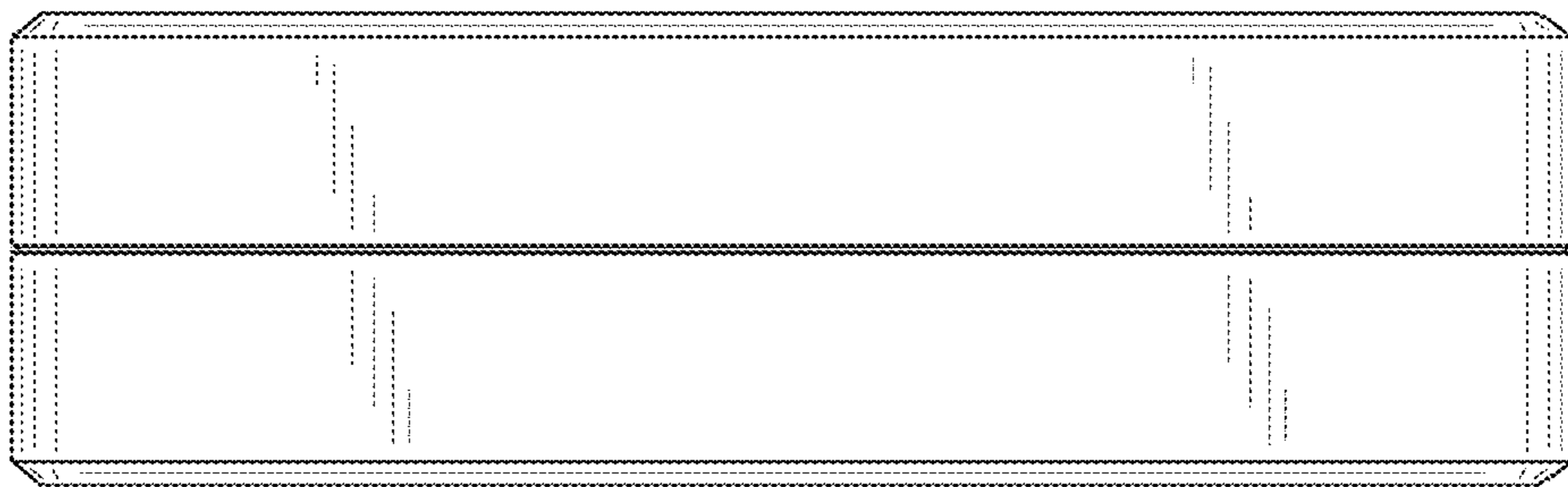


FIG.5

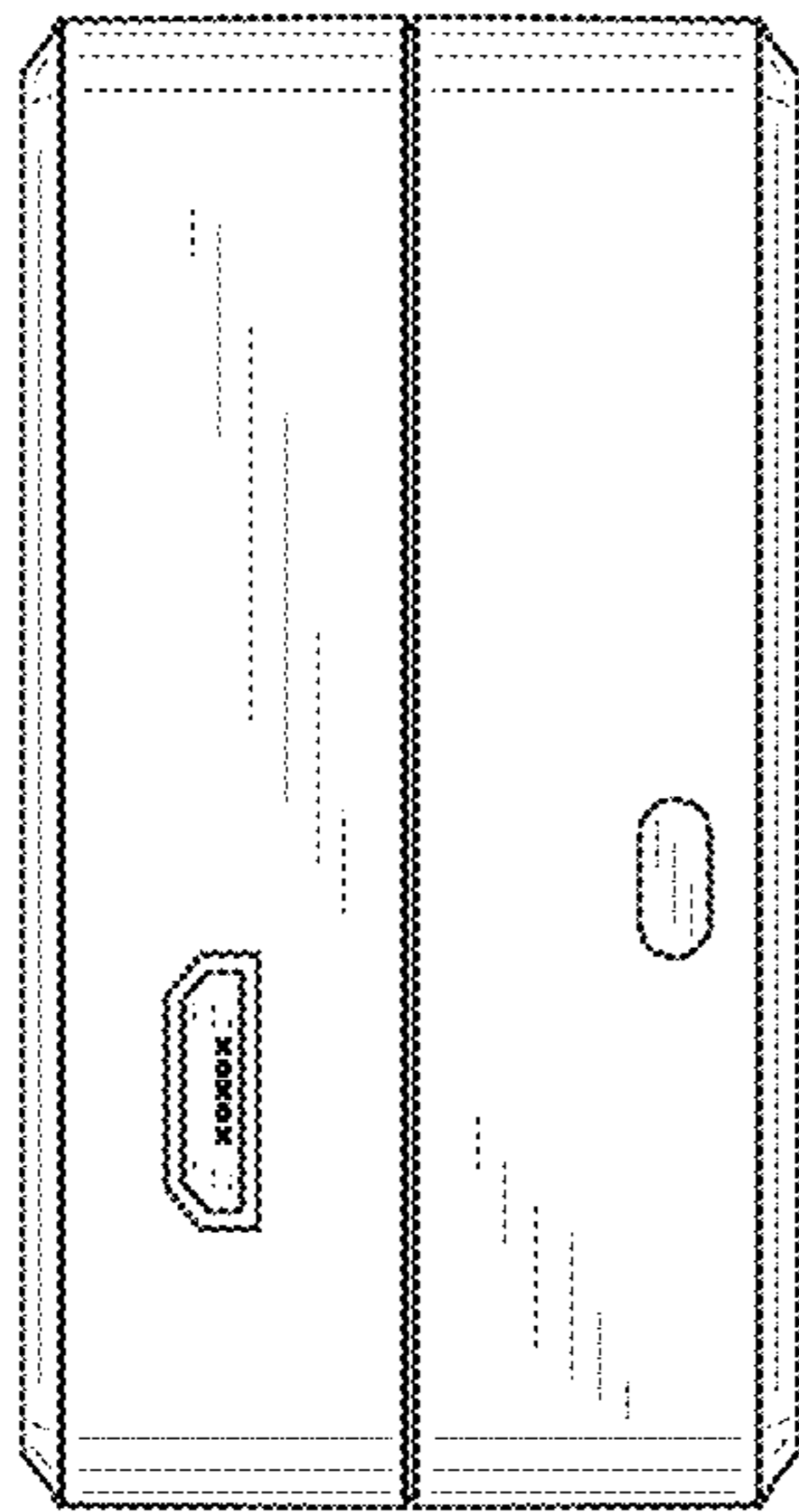


FIG.6

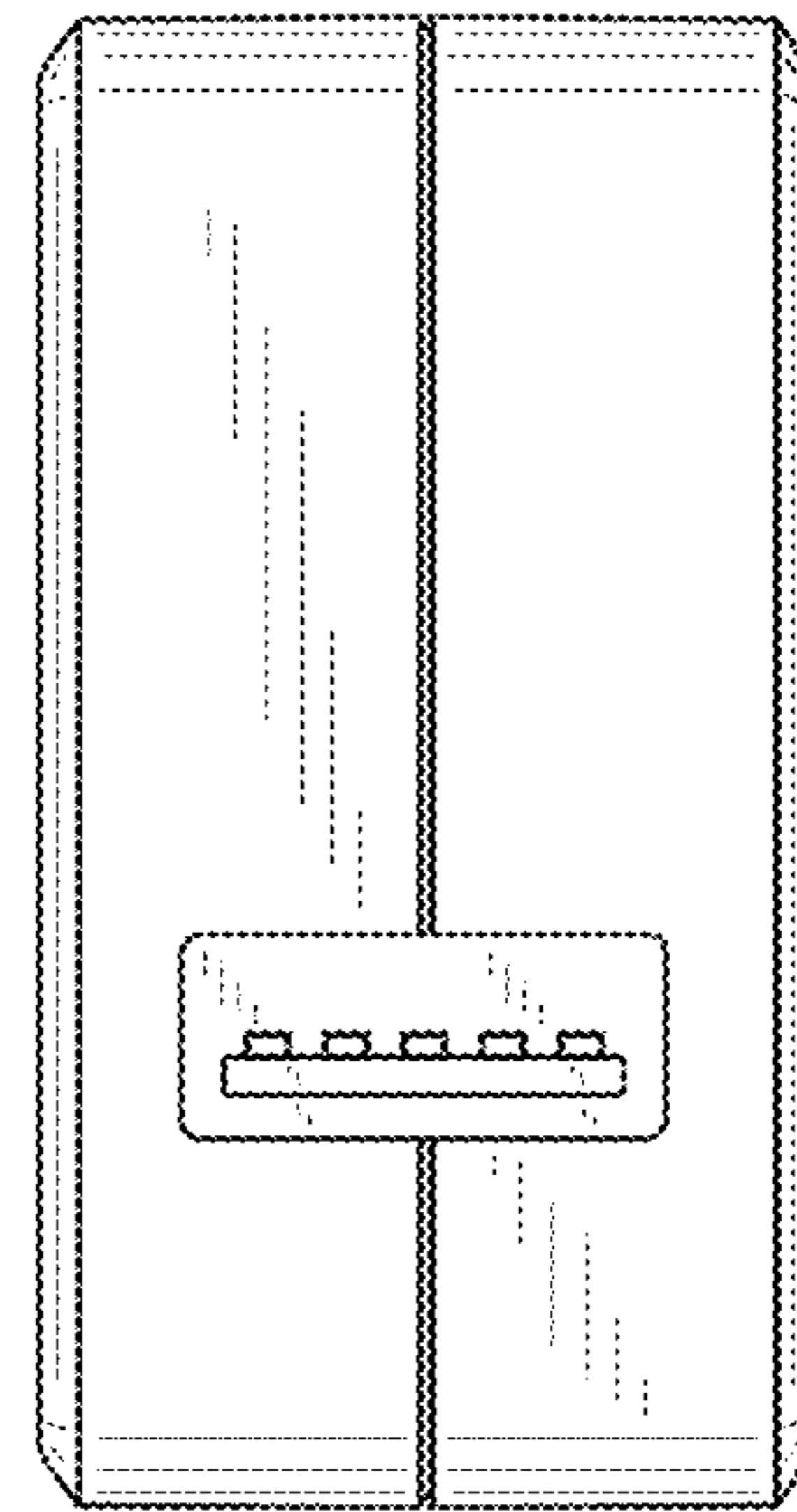




FIG.7

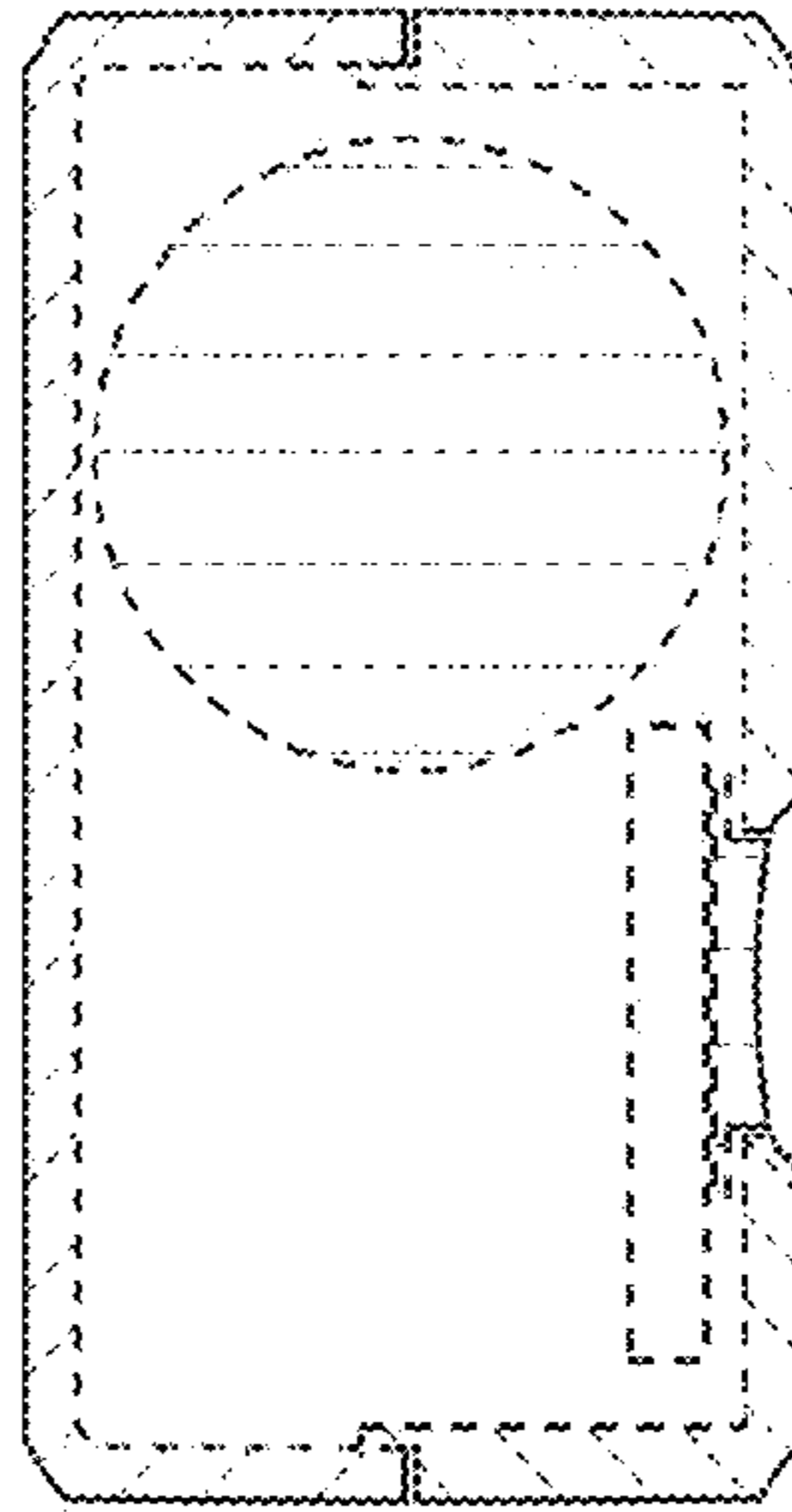


FIG.8





FIG.9

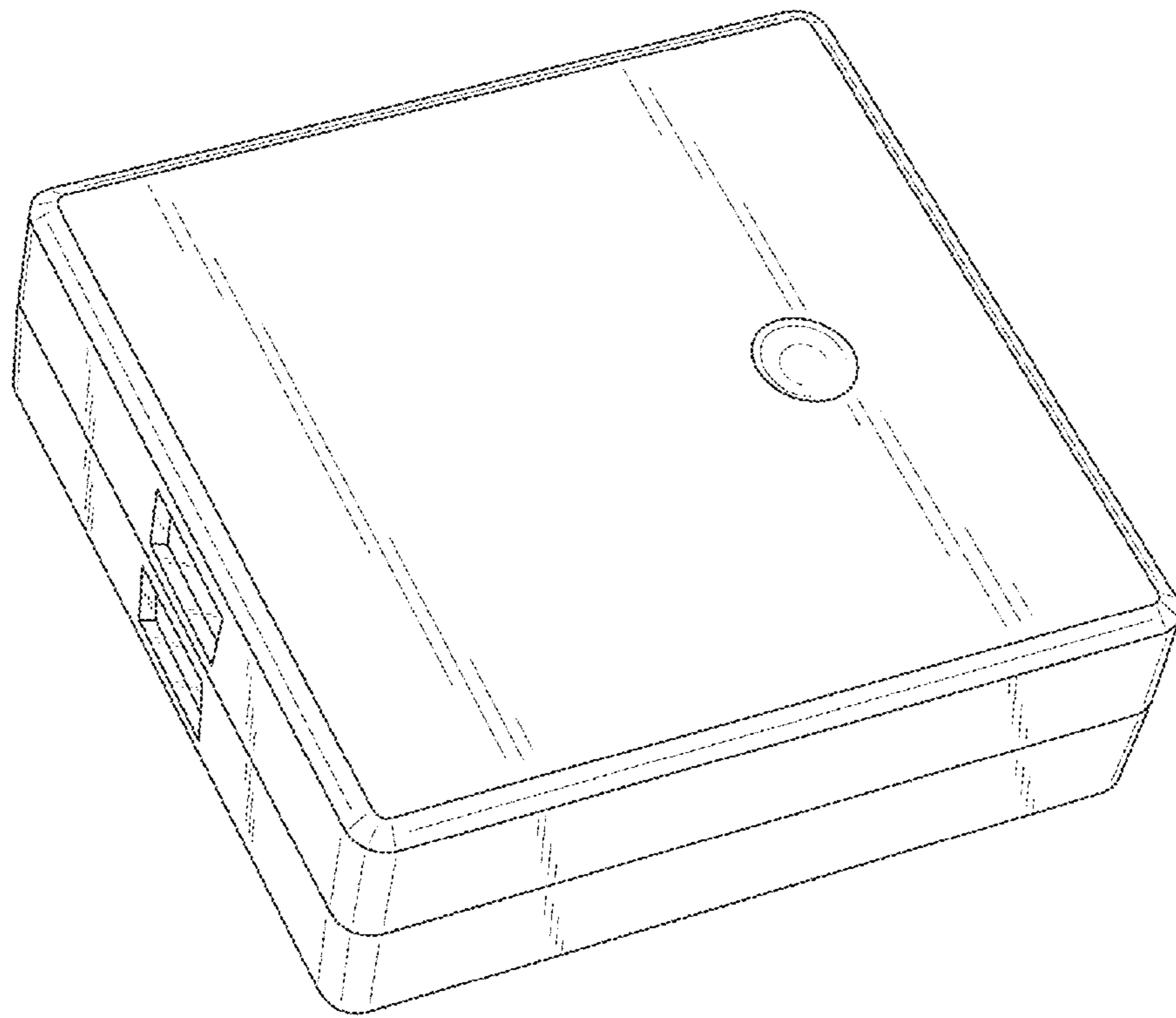


FIG. 10

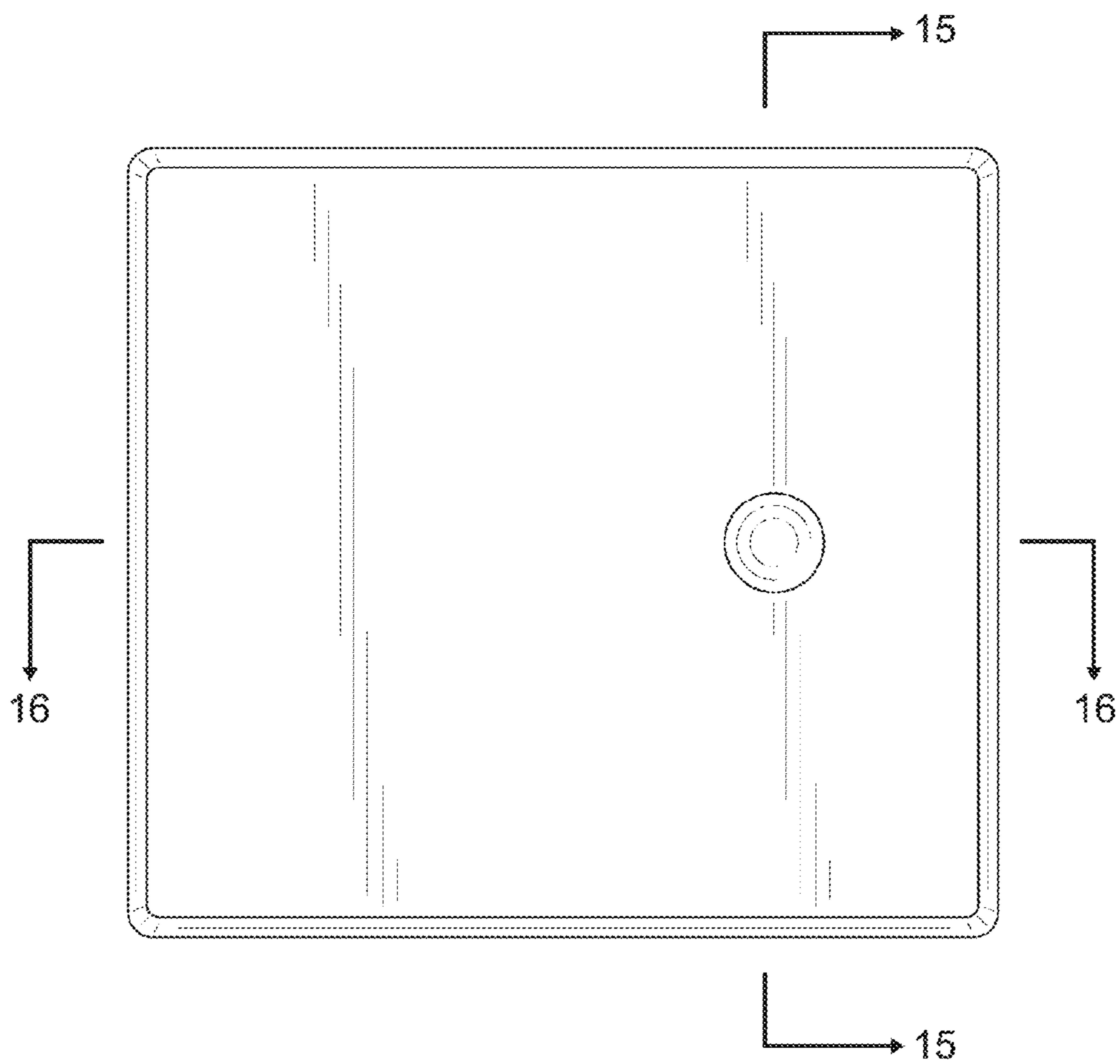


FIG. 11

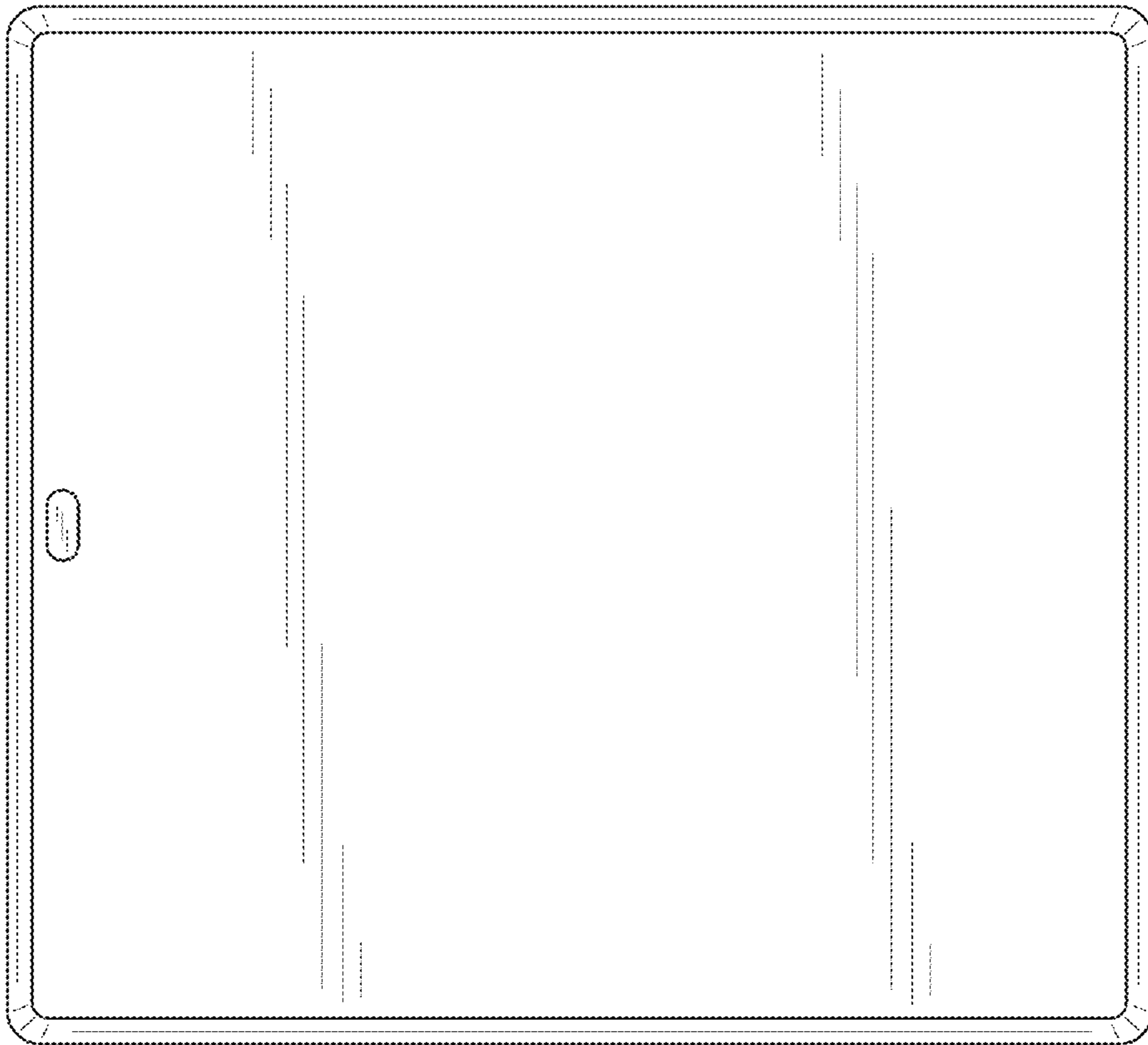


FIG. 12

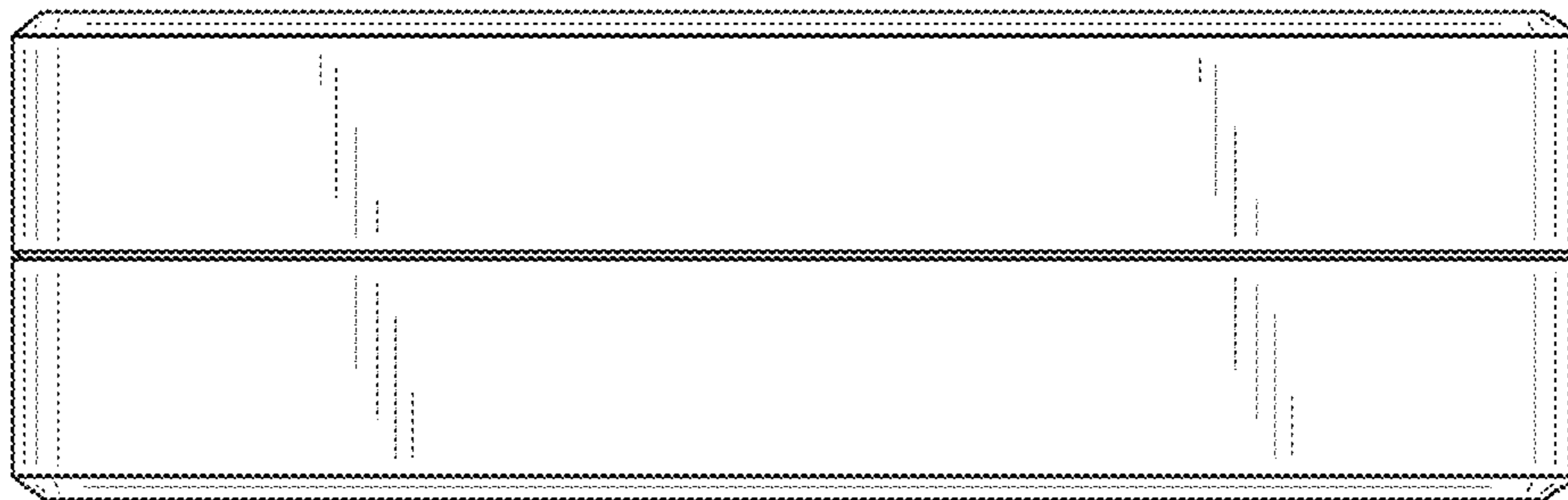


FIG. 13

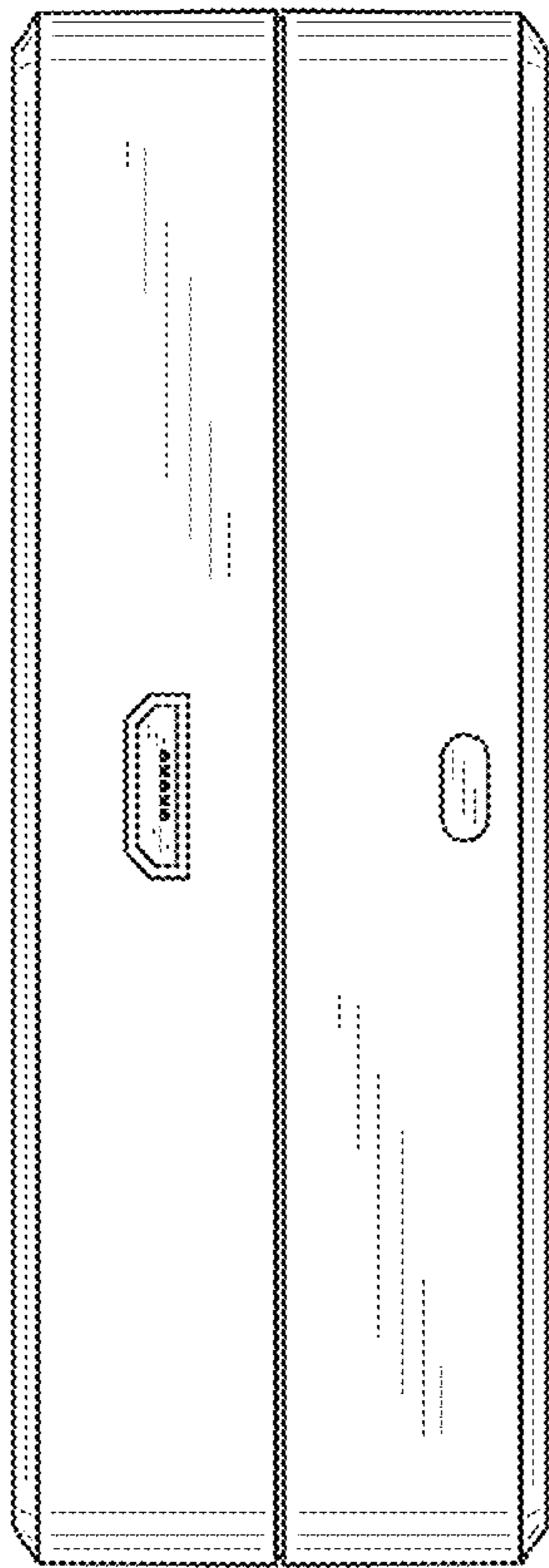


FIG. 14

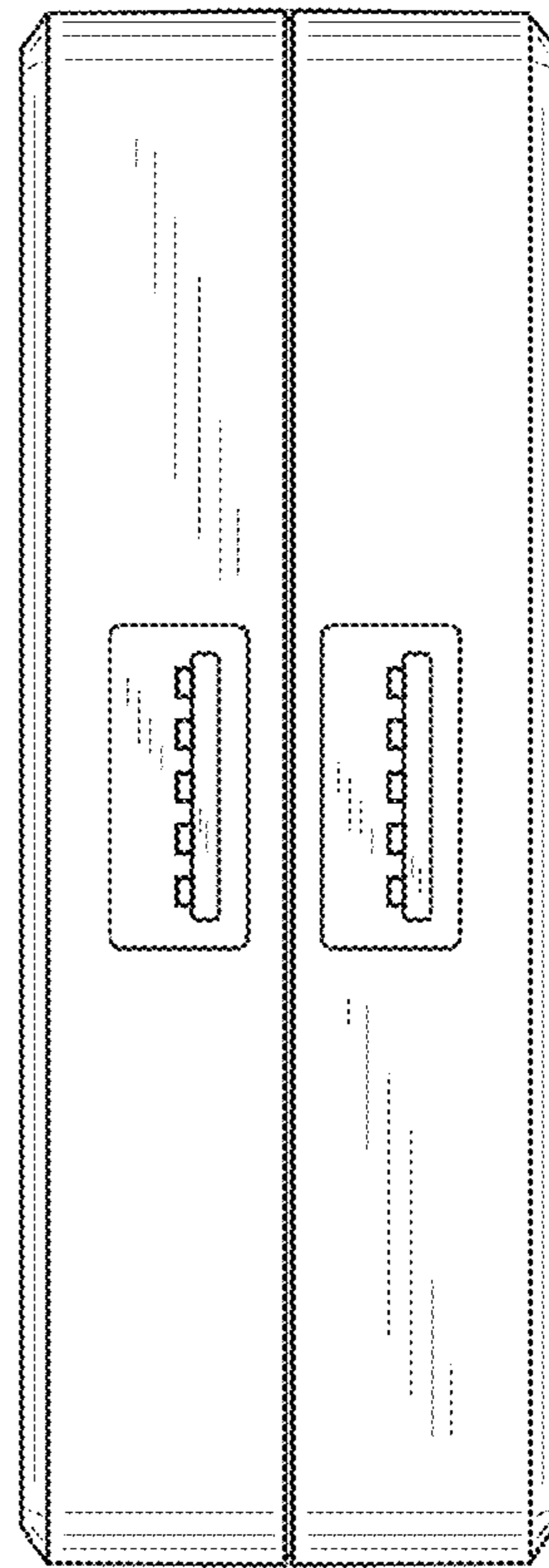


FIG. 15

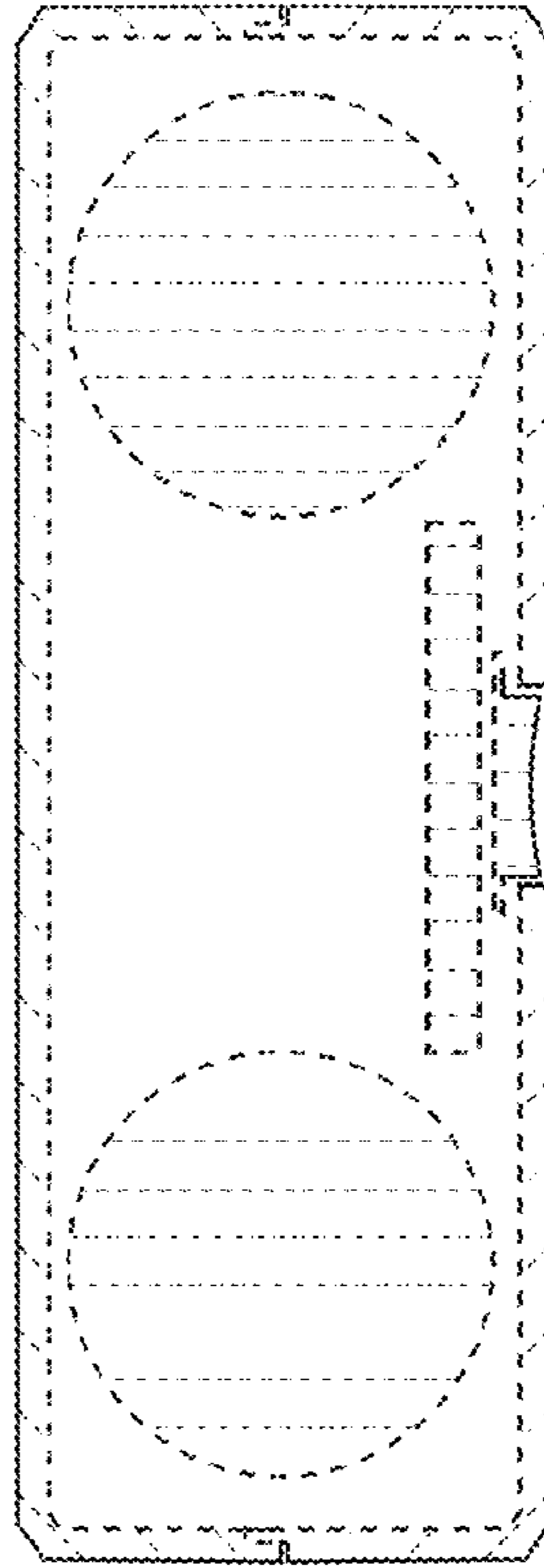


FIG. 16

