

US00D697864S

(12) **United States Design Patent**
McGrath

(10) **Patent No.:** **US D697,864 S**
(45) **Date of Patent:** **** Jan. 21, 2014**

- (54) **SOLAR PANEL STAND**
- (71) Applicant: **Robert Joseph McGrath**, Santa Clarita, CA (US)
- (72) Inventor: **Robert Joseph McGrath**, Santa Clarita, CA (US)
- (**) Term: **14 Years**
- (21) Appl. No.: **29/455,611**
- (22) Filed: **May 22, 2013**
- (51) **LOC (10) Cl.** **13-02**
- (52) **U.S. Cl.**
USPC **D13/102**
- (58) **Field of Classification Search**
USPC D13/102, 101, 103, 107, 108, 199;
136/206, 243, 244, 245, 252; 320/101,
320/102, 114, 115, 120
See application file for complete search history.

5,969,501 A	10/1999	Glidden	
D505,113 S *	5/2005	Lam	D13/107
D517,006 S *	3/2006	Bessmertny	D13/102
D536,299 S *	2/2007	Lam	D13/102
D586,737 S	2/2009	Shugar	
D640,972 S	7/2011	Fiero	
D652,789 S	1/2012	Kawai	
D671,885 S	12/2012	Steinau	
8,376,282 B2	2/2013	Keller	
2012/0125408 A1	5/2012	Reyes	
2012/0312348 A1	12/2012	Fereday	

* cited by examiner

Primary Examiner — Derrick Holland

(74) *Attorney, Agent, or Firm* — QuickPatents; Kevin Prince

(57) **CLAIM**

I claim the ornamental design for a solar panel stand, as shown and described.

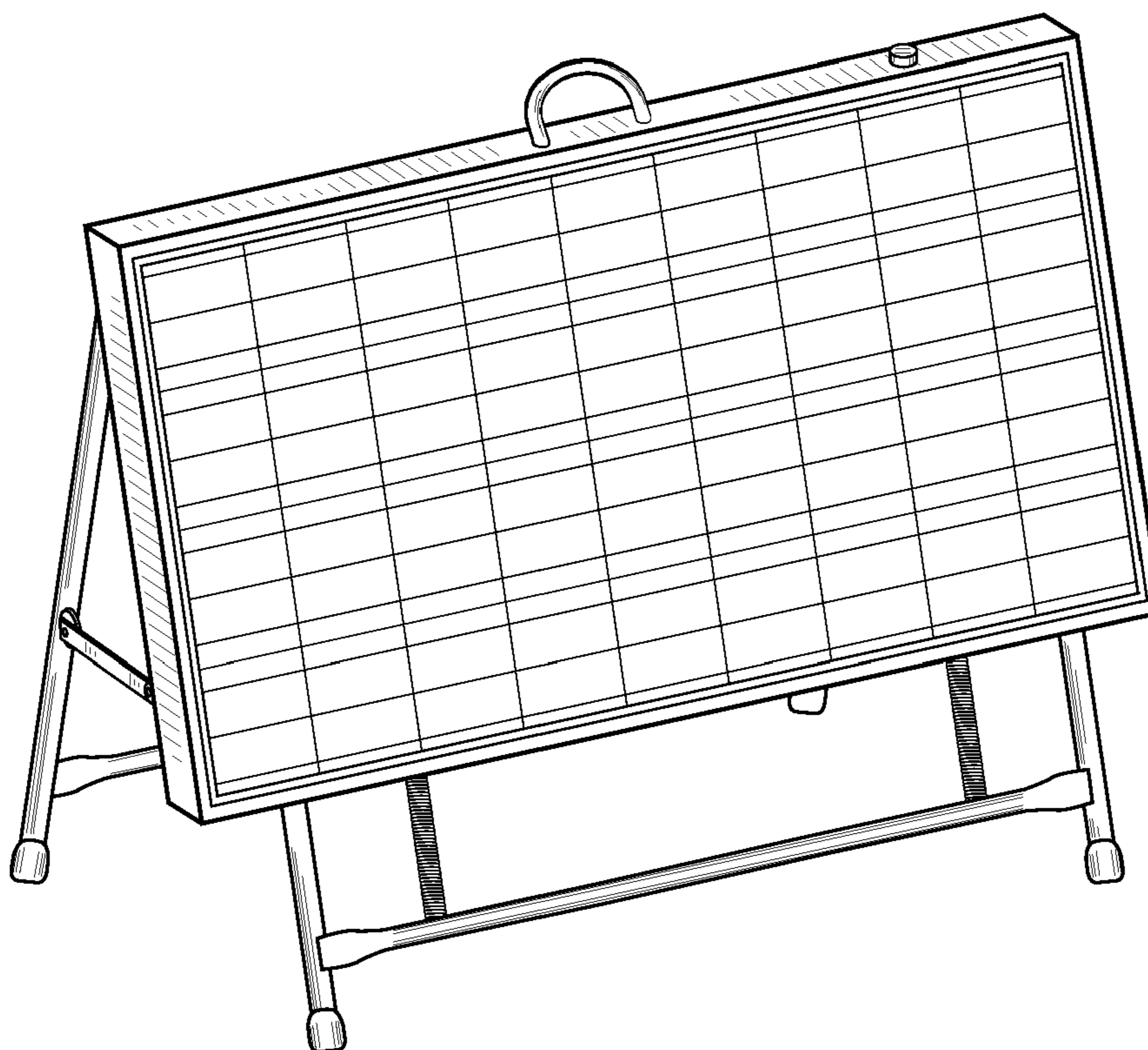
DESCRIPTION

FIG. 1 is a perspective view of a solar panel stand, showing my new design;
 FIG. 2 is a front elevational view thereof;
 FIG. 3 is a rear elevational view thereof;
 FIG. 4 is a left-side elevational view thereof;
 FIG. 5 is a right-side elevational view thereof;
 FIG. 6 is a top plan view thereof; and,
 FIG. 7 is a bottom plan view thereof.

1 Claim, 3 Drawing Sheets

(56) **References Cited**
 U.S. PATENT DOCUMENTS

4,226,256 A *	10/1980	Hawley	136/244
4,421,943 A	12/1983	Withjack	
D279,214 S	6/1985	Hanson	
5,228,924 A *	7/1993	Barker et al.	136/246
5,522,943 A *	6/1996	Spencer et al.	136/245
5,814,906 A *	9/1998	Spencer et al.	307/150



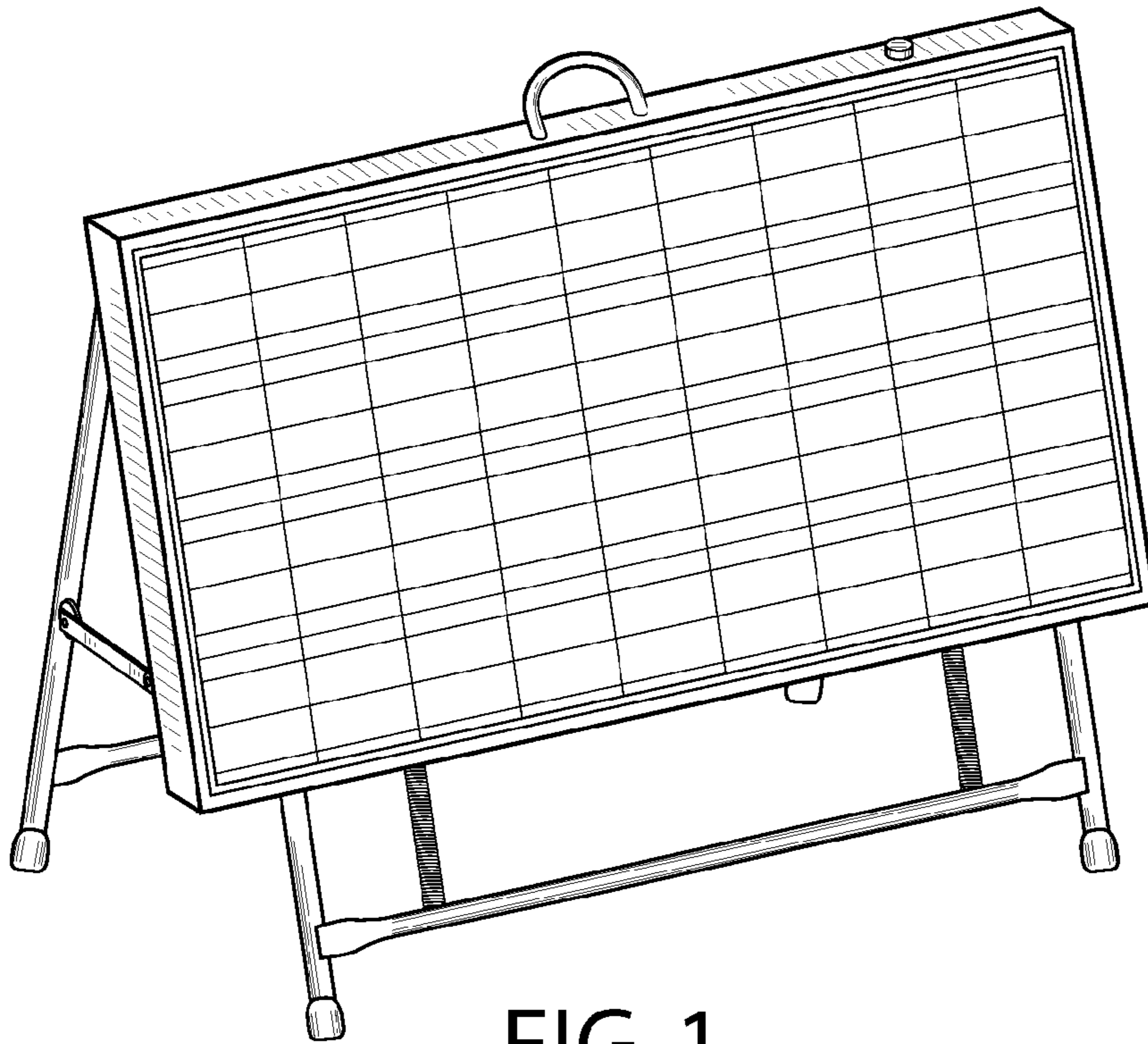


FIG. 1

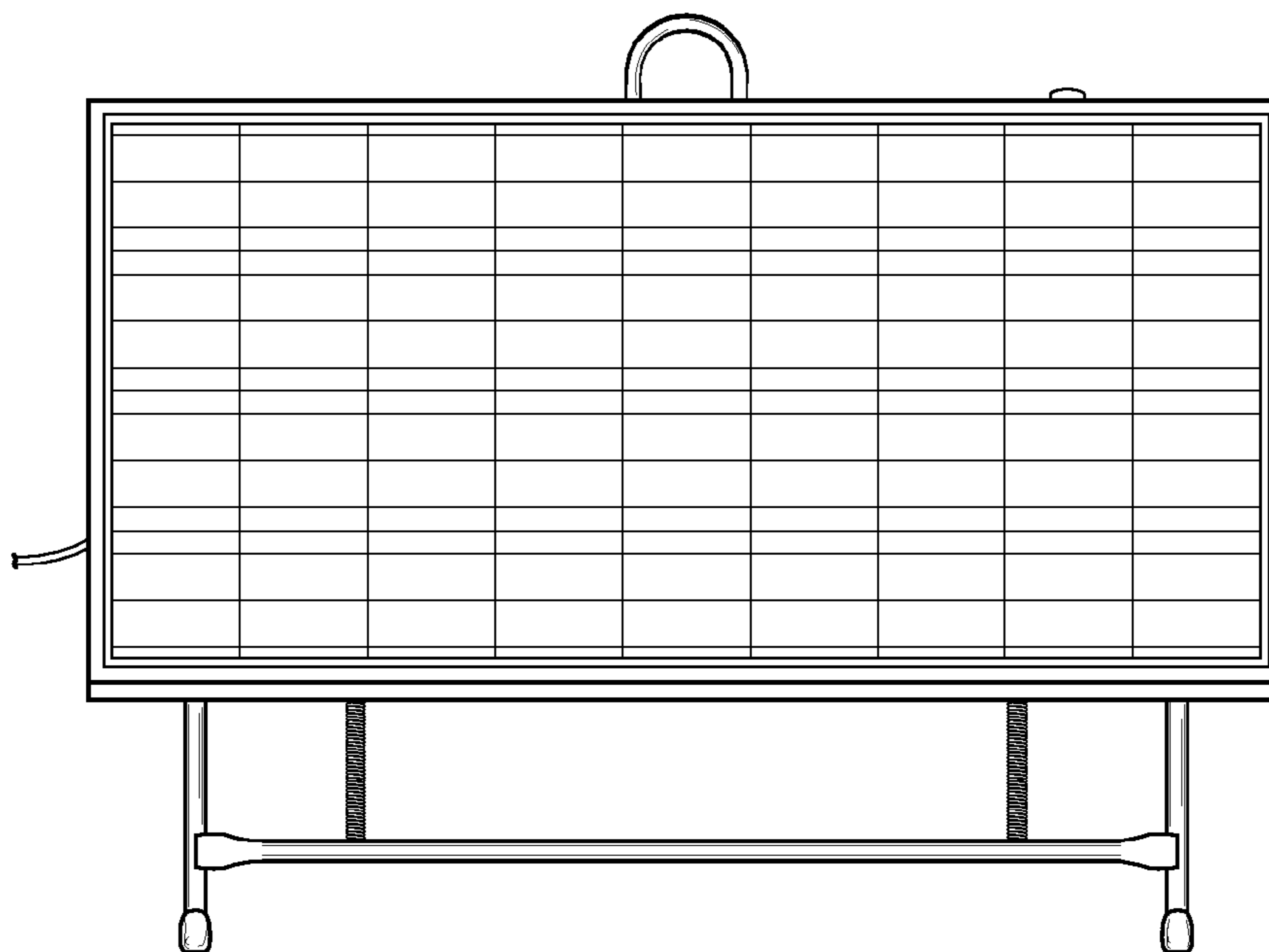


FIG. 2

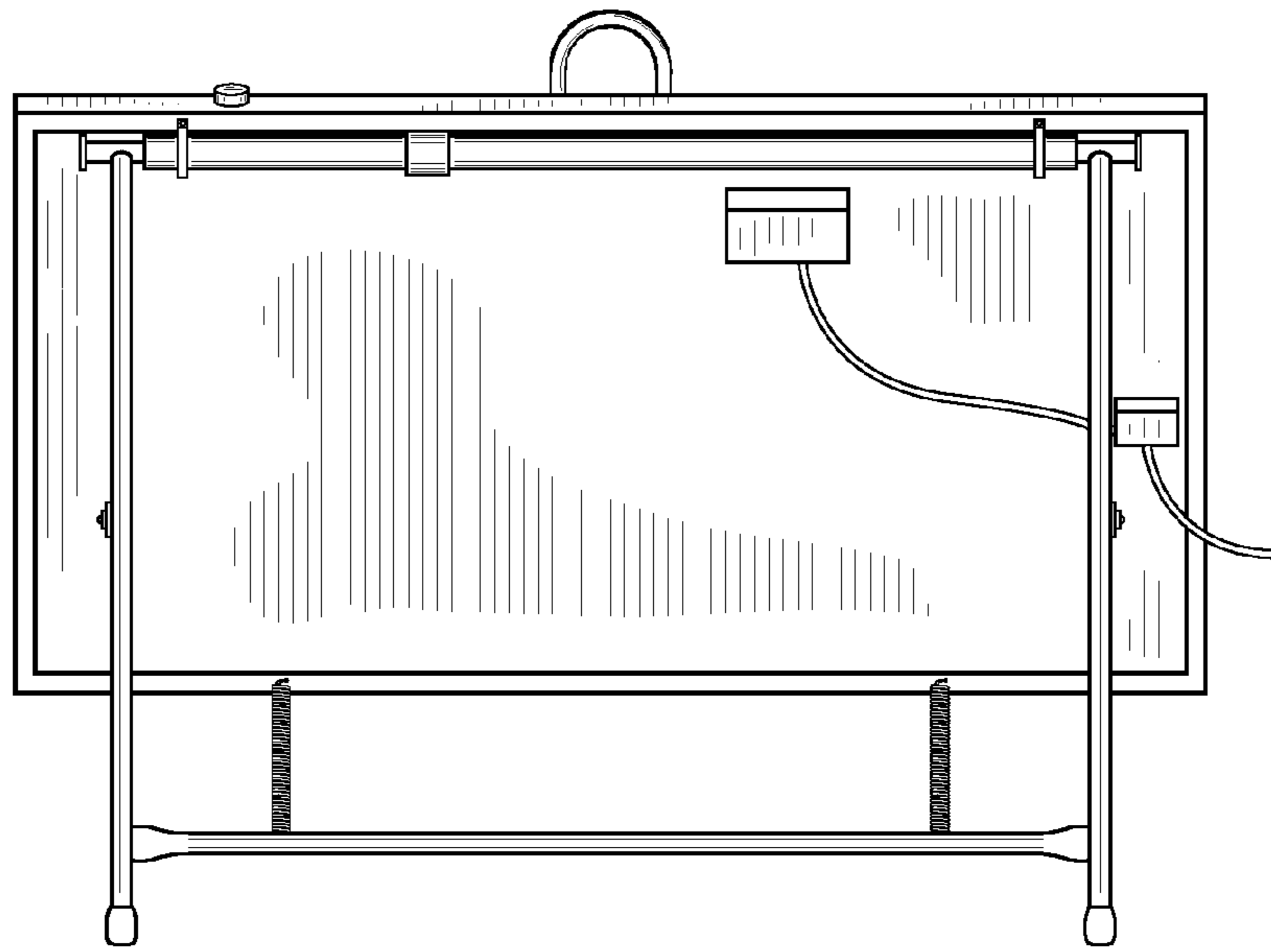


FIG. 3

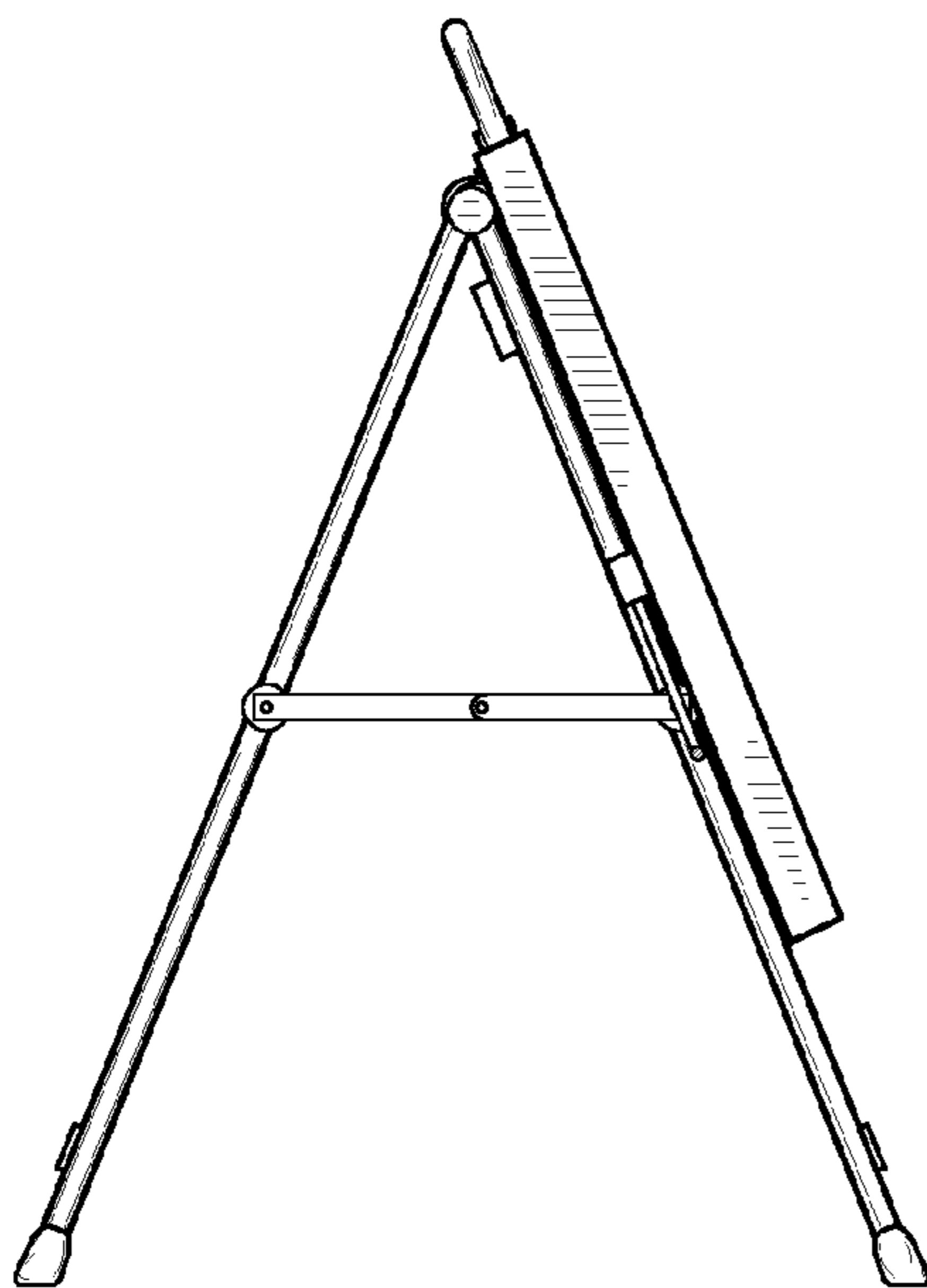


FIG. 4

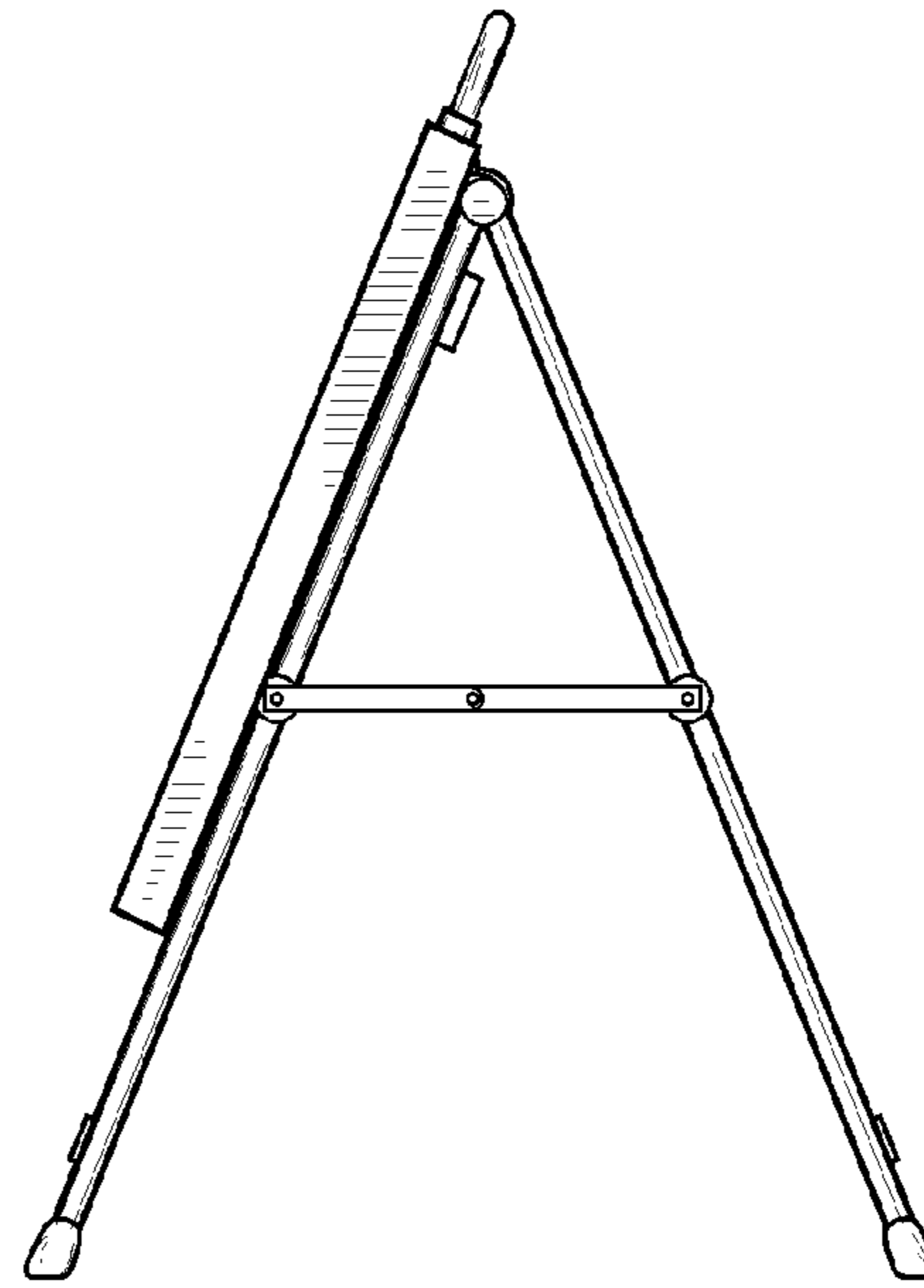


FIG. 5

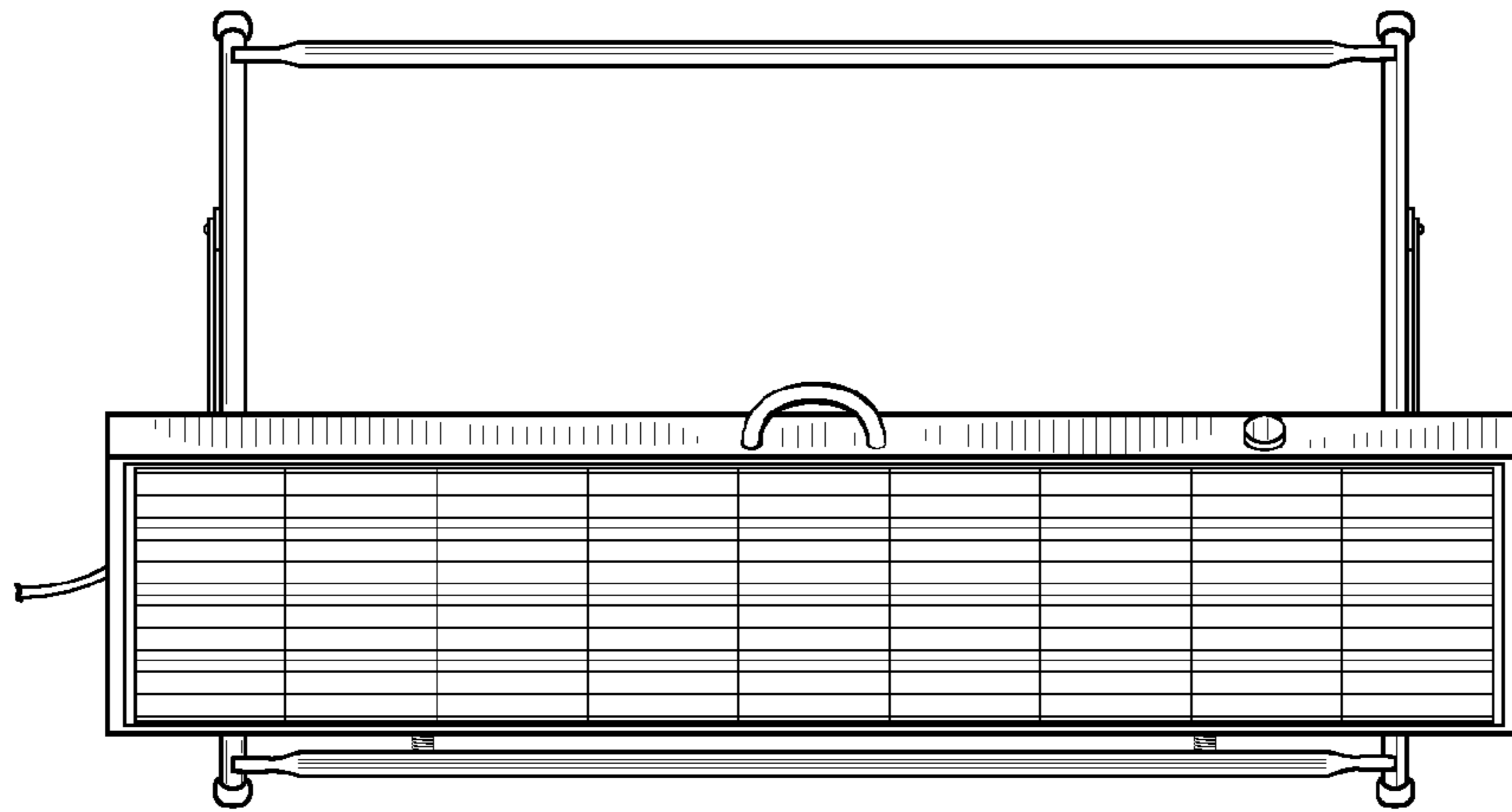


FIG. 6

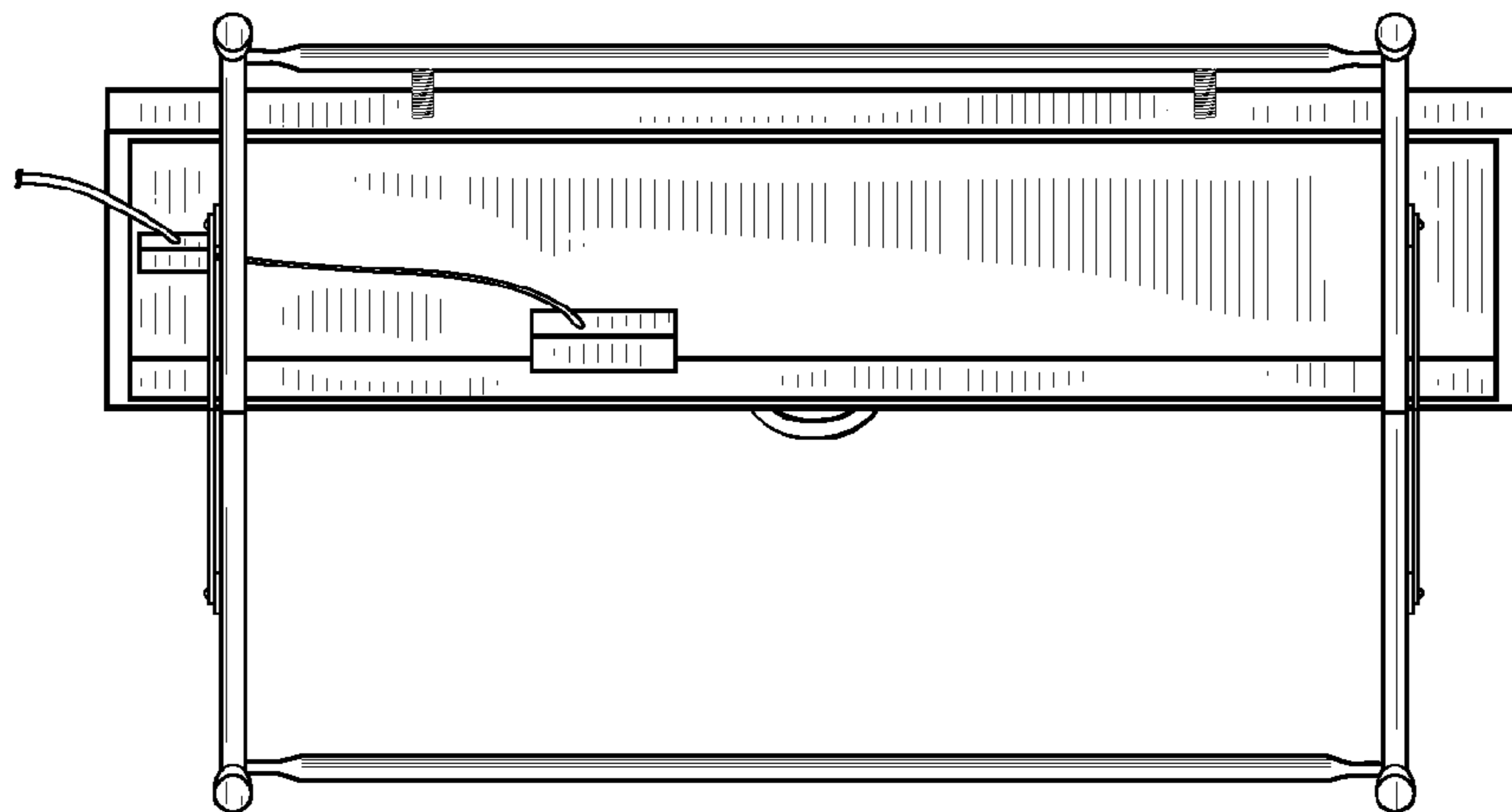


FIG. 7