



US00D697861S

(12) **United States Design Patent**
Lemke

(10) **Patent No.:** **US D697,861 S**
(45) **Date of Patent:** **** Jan. 21, 2014**

(54) **WHEEL FOR MOTOR VEHICLE, TOY REPLICAS AND/OR OTHER REPLICAS**

(71) Applicant: **Audi AG**, Ingolstadt (DE)

(72) Inventor: **Peter Lemke**, Munich (DE)

(73) Assignee: **Audi AG**, Ingolstadt (DE)

(**) Term: **14 Years**

(21) Appl. No.: **29/458,032**

(22) Filed: **Jun. 14, 2013**

(30) **Foreign Application Priority Data**

Dec. 14, 2012 (EM) 002153528-0002

(51) **LOC (10) Cl.** **12-16**

(52) **U.S. Cl.**
USPC **D12/211**

(58) **Field of Classification Search**
USPC D12/204-213; 301/37.101, 64.101, 65, 301/64.201
See application file for complete search history.

(56) **References Cited**

U.S. PATENT DOCUMENTS

D569,322 S * 5/2008 Scheu D12/211
D574,311 S * 8/2008 Chung D12/209

D581,852 S * 12/2008 Scheu D12/211
D588,517 S * 3/2009 Aroney D12/211
D590,322 S * 4/2009 Rak D12/211
D626,051 S * 10/2010 Fisker et al. D12/209
D644,589 S * 9/2011 Fisker et al. D12/211
D655,657 S * 3/2012 Juergens et al. D12/209
D660,767 S * 5/2012 von Holzhausen et al. . D12/209
D663,248 S * 7/2012 Kogawa D12/209
D666,958 S * 9/2012 Suzuki D12/211
D671,876 S * 12/2012 Roura D12/209
D686,132 S * 7/2013 Truebsbach D12/209

* cited by examiner

Primary Examiner — Stacia Cadmus

(74) *Attorney, Agent, or Firm* — Abelman, Frayne & Schwab

(57) **CLAIM**

The ornamental design for wheel for motor vehicle, toy replica and/or other replicas, as shown and described.

DESCRIPTION

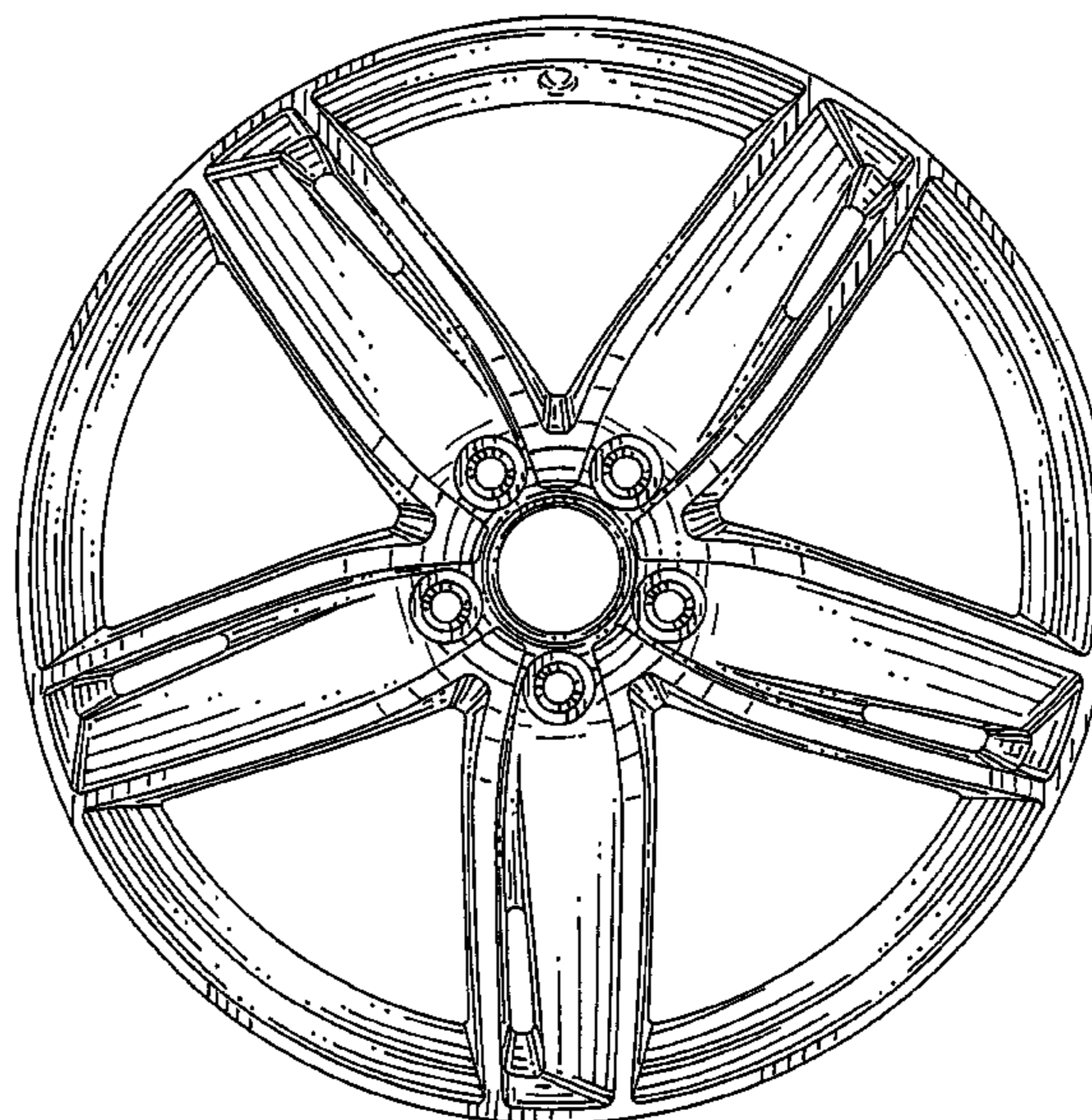
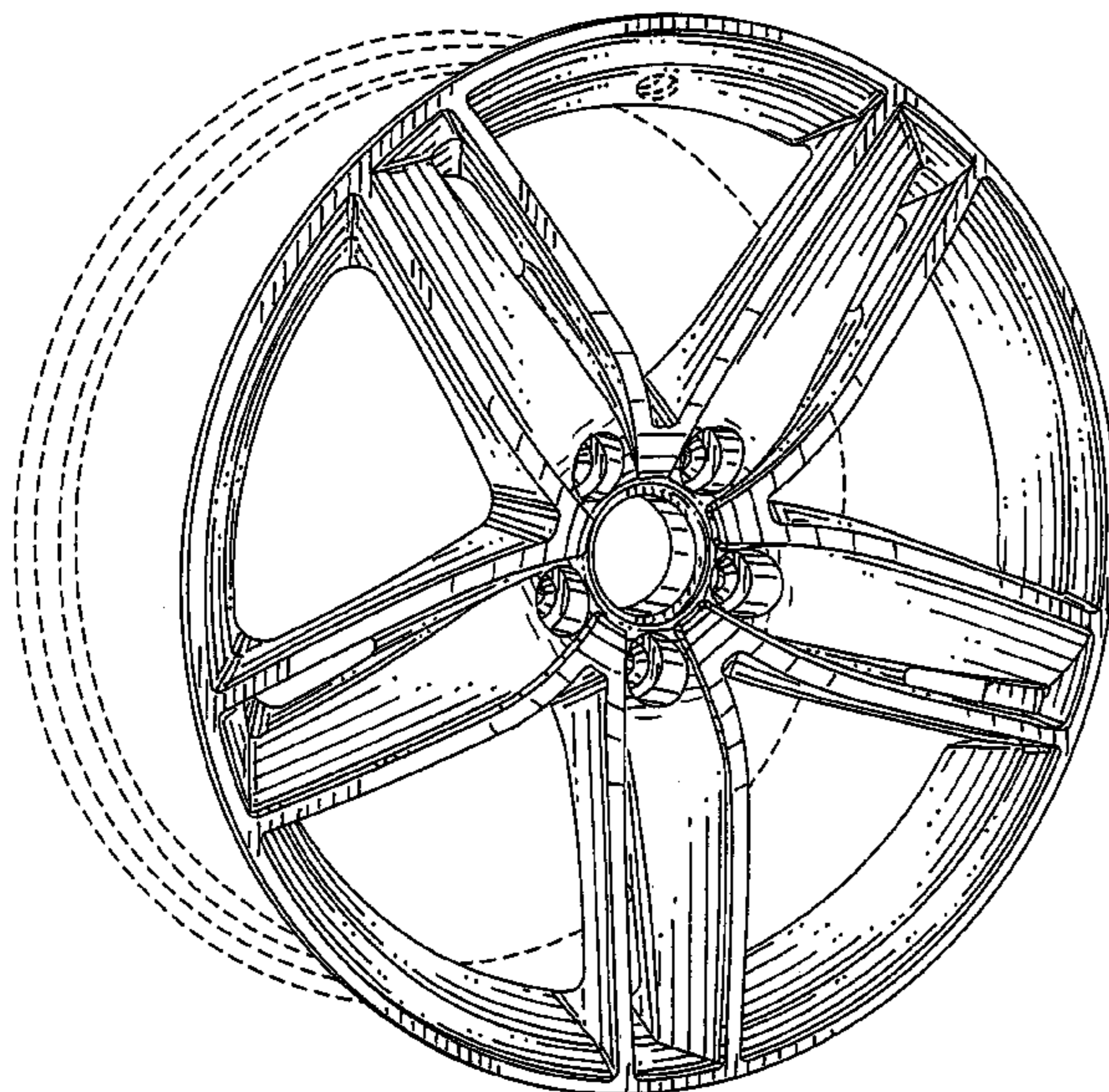
FIG. 1 is a front and left side perspective view of the wheel for motor vehicle, toy replica and/or other replicas, showing my new design;

FIG. 2 is a front elevational view thereof; and,

FIG. 3 is a right side elevational view thereof.

The broken lines represent portions of the wheel for motor vehicle, toy replica and/or other replicas, which form no part of the claimed design.

1 Claim, 3 Drawing Sheets



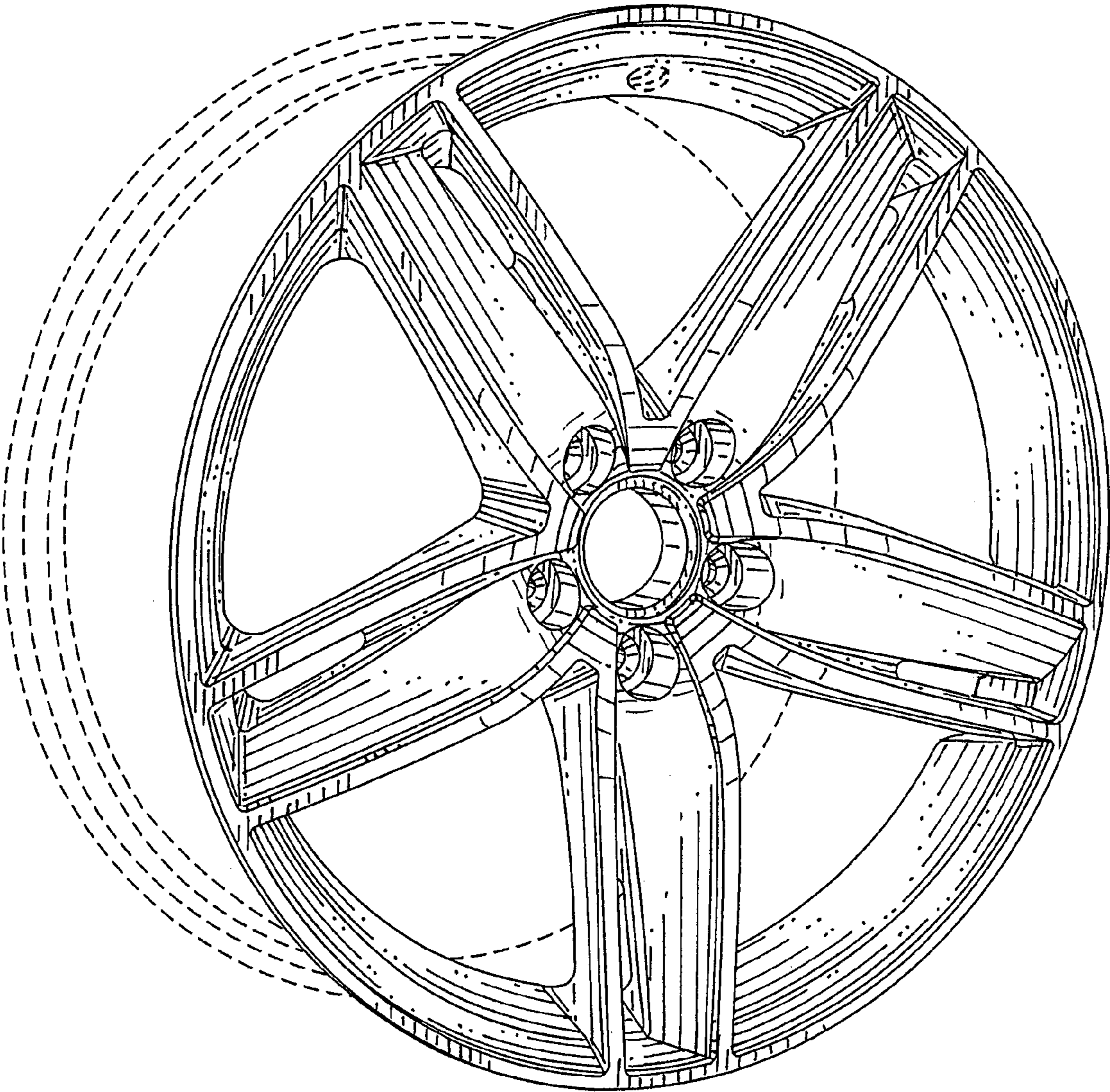


FIG. 1

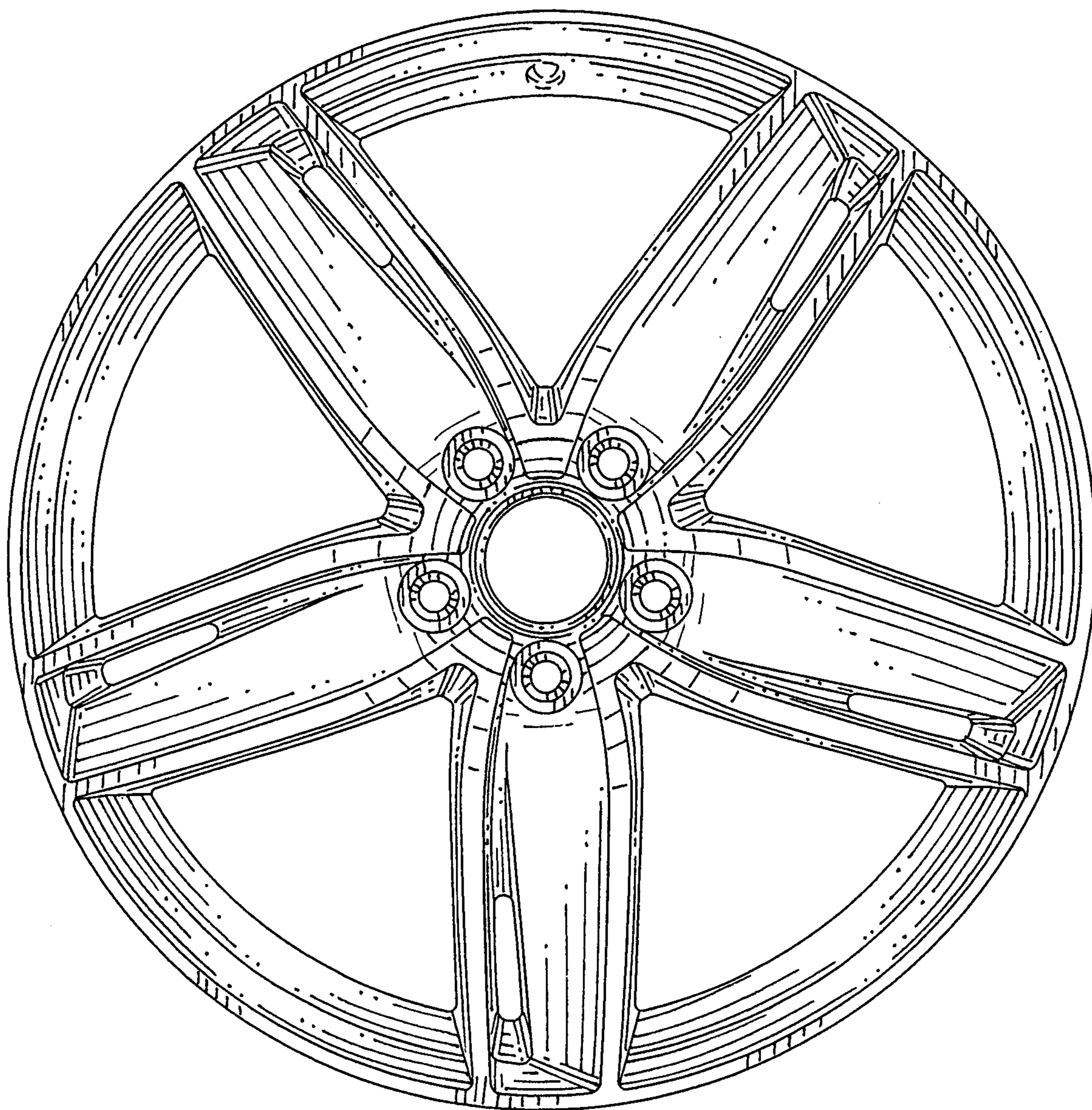


FIG. 2

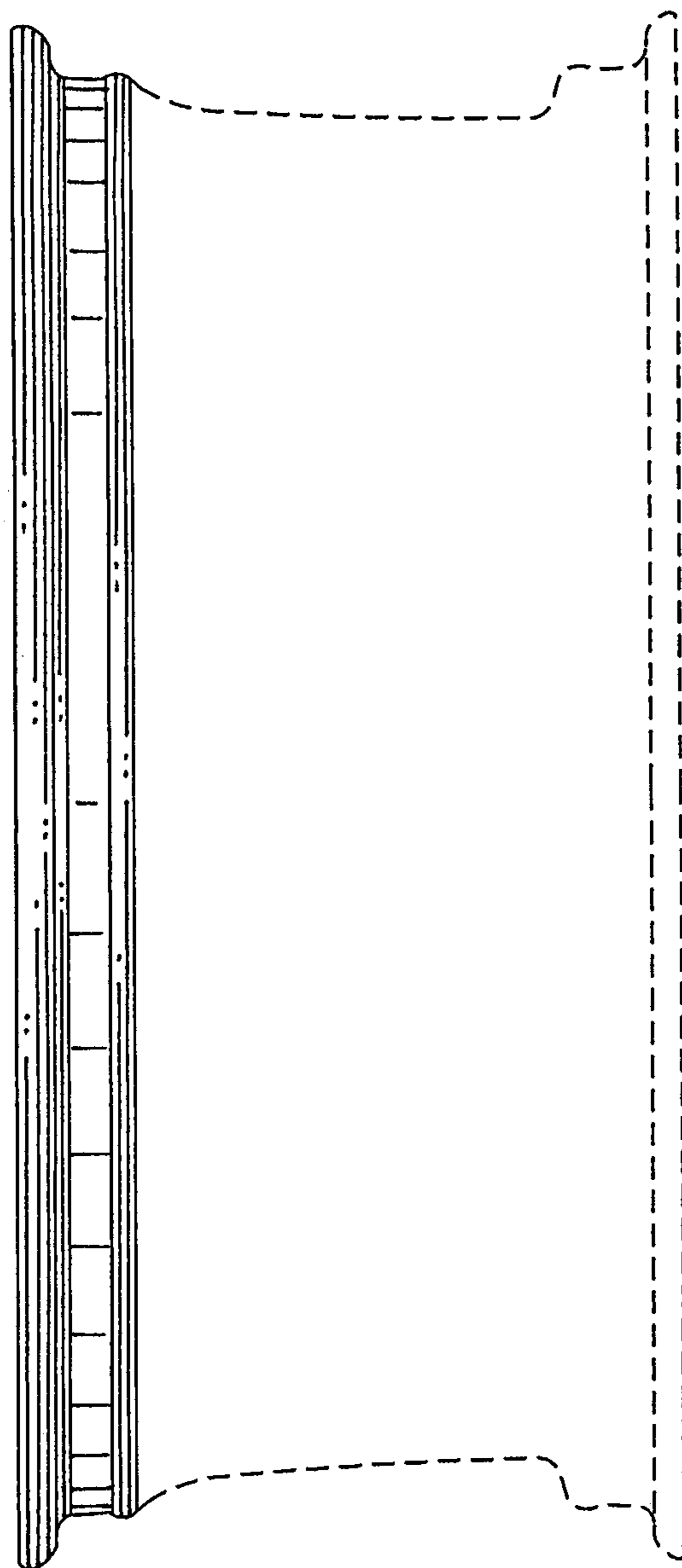


FIG. 3