

US00D697858S

(12) **United States Design Patent**
Kito

(10) **Patent No.:** **US D697,858 S**
(45) **Date of Patent:** **** Jan. 21, 2014**

(54) **WHEEL FOR AN AUTOMOBILE**

(71) Applicant: **Honda Motor Co., Ltd.**, Tokyo (JP)

(72) Inventor: **Yuuri Kito**, Wako (JP)

(73) Assignee: **Honda Motor Co., Ltd.**, Tokyo (JP)

(**) Term: **14 Years**

(21) Appl. No.: **29/437,738**

(22) Filed: **Nov. 20, 2012**

(30) **Foreign Application Priority Data**

May 25, 2012 (JP) 2012-012399

(51) **LOC (10) Cl.** **12-16**

(52) **U.S. Cl.**

USPC **D12/209**

(58) **Field of Classification Search**

USPC D12/204–213; 301/37.101, 64.101, 65,
301/64.201

See application file for complete search history.

(56) **References Cited**

U.S. PATENT DOCUMENTS

D415,991 S *	11/1999	Wang	D12/211
D577,322 S *	9/2008	Scheu	D12/209
D593,476 S *	6/2009	Juergens et al.	D12/211
D619,071 S *	7/2010	Christensen et al.	D12/211
D635,077 S *	3/2011	Nordmann	D12/209
D639,226 S *	6/2011	Juergens et al.	D12/211
D671,479 S *	11/2012	Gonser	D12/209
D681,531 S *	5/2013	Fetherston et al.	D12/209
D684,913 S *	6/2013	Chen et al.	D12/209
D686,133 S *	7/2013	Juergens et al.	D12/209
D686,965 S *	7/2013	Pollmann	D12/211

* cited by examiner

Primary Examiner — Stacia Cadmus

(74) *Attorney, Agent, or Firm* — Plumsea Law Group, LLC

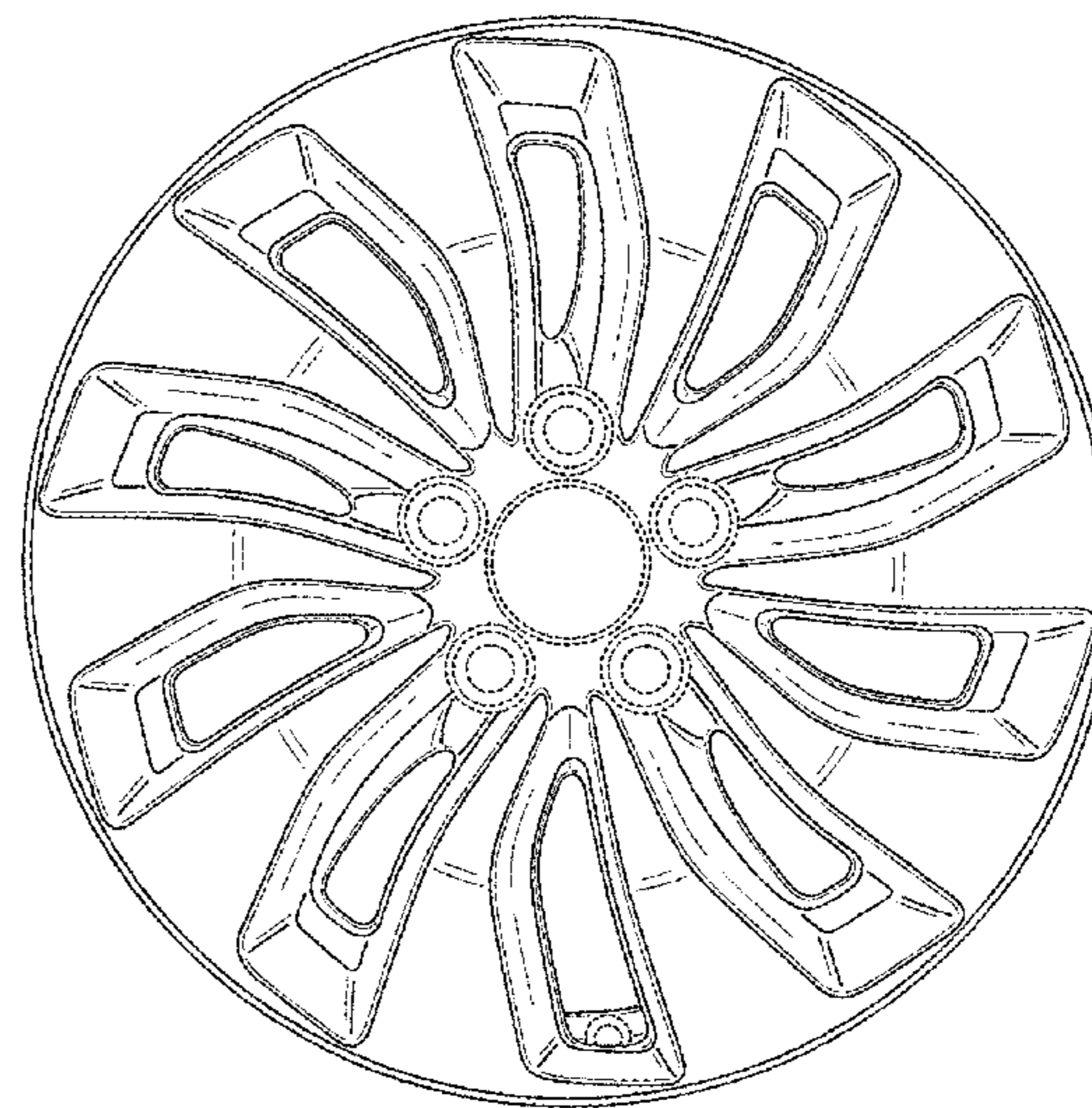
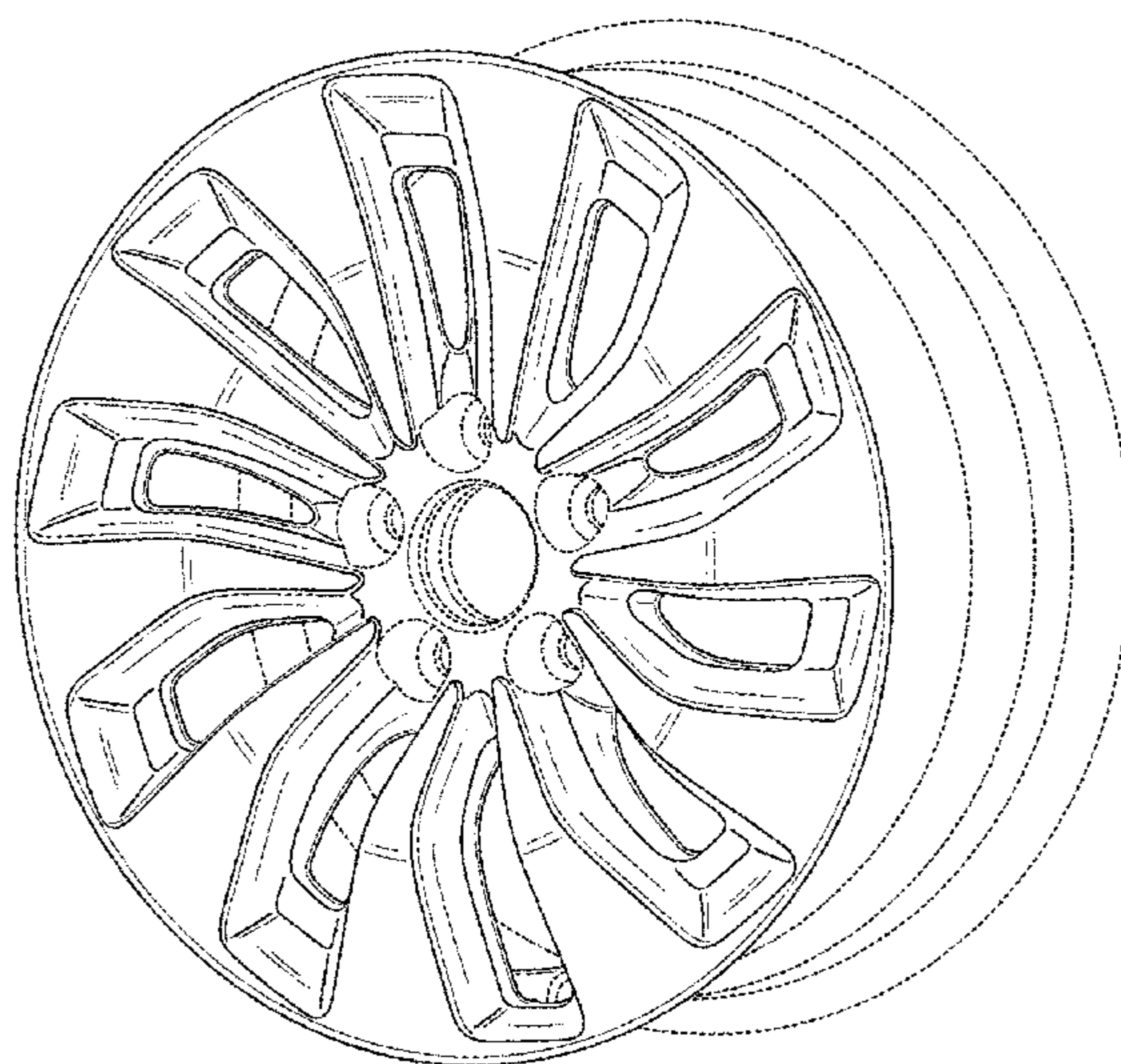
(57) **CLAIM**

The ornamental design for a wheel for an automobile, as shown and described.

DESCRIPTION

FIG. 1 is a perspective view of a wheel for an automobile, showing our new design; and, FIG. 2 is a front elevation view thereof. The broken lines are for illustrative purposes only and form no part of the claimed design.

1 Claim, 2 Drawing Sheets



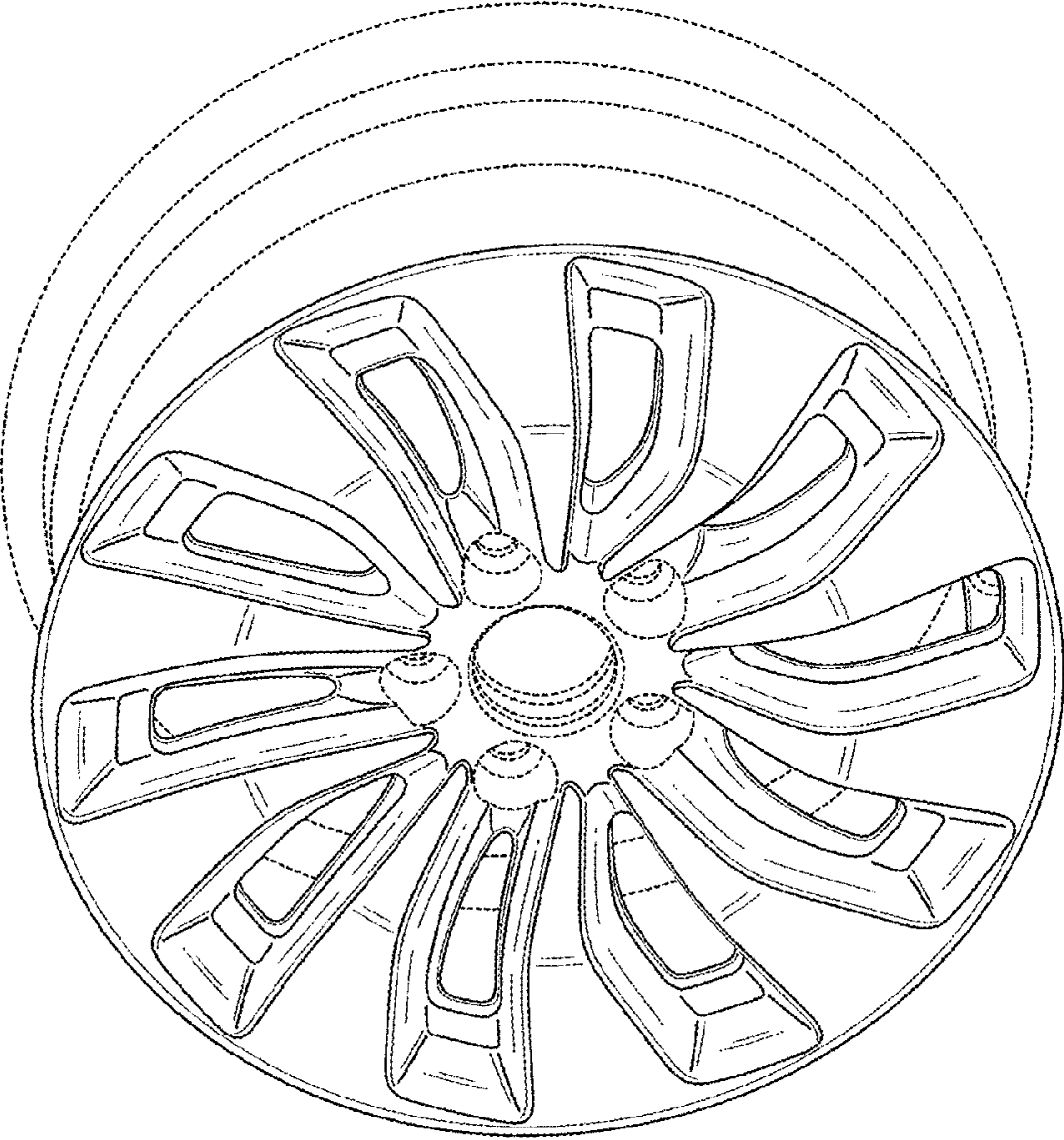


Fig. 1

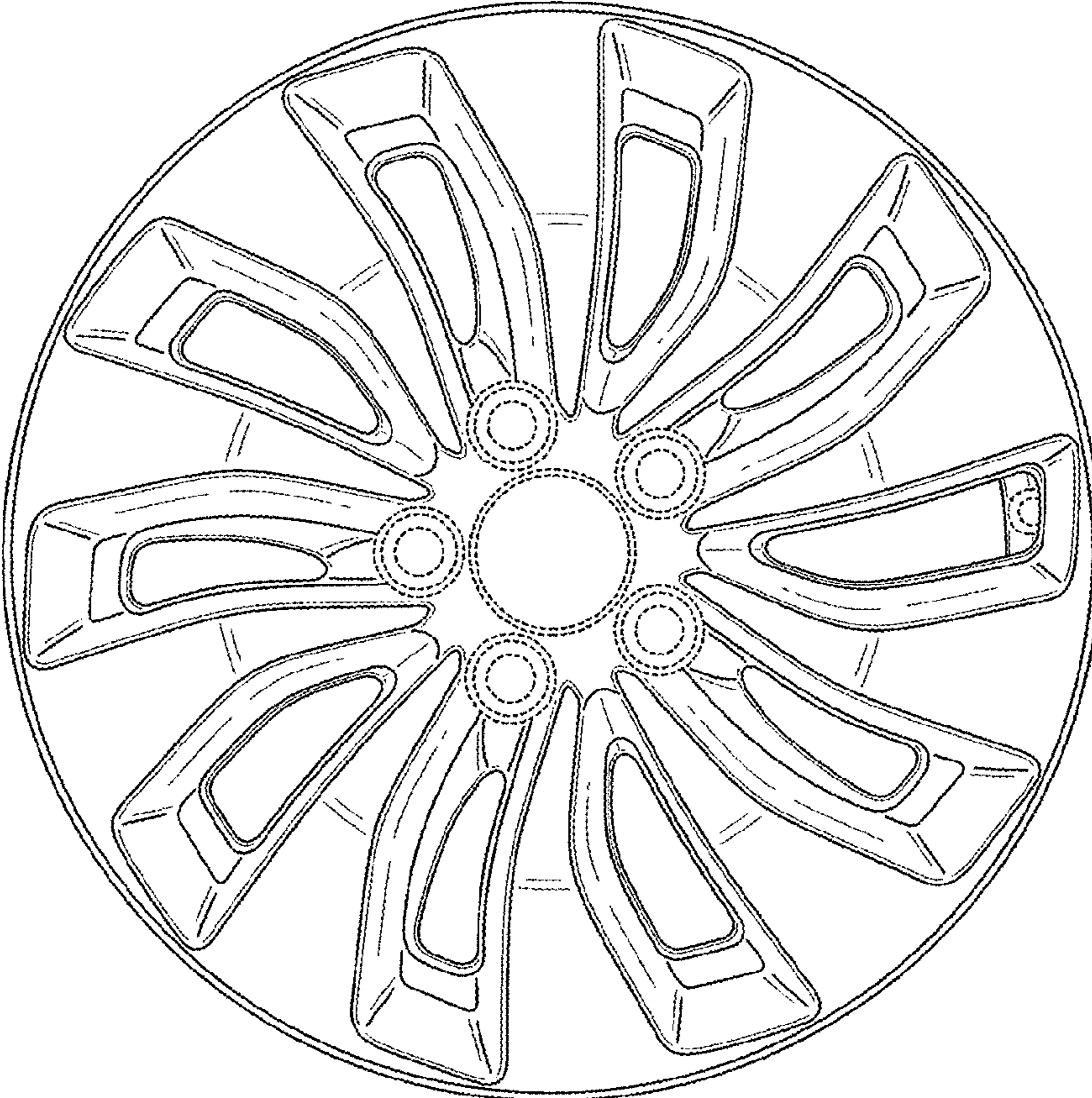


Fig. 2