



US00D697854S

(12) **United States Design Patent**  
**Sautter**

(10) **Patent No.:** **US D697,854 S**  
(45) **Date of Patent:** **\*\* Jan. 21, 2014**

(54) **DASHBOARD FOR USE IN A MOTOR VEHICLE**

(71) Applicant: **Continental Automotive GmbH,**  
Hannover (DE)

(72) Inventor: **Silja Sautter,** Brigachtal (DE)

(73) Assignee: **Continental Automotive GmbH,**  
Hannover (DE)

(\*\*) Term: **14 Years**

(21) Appl. No.: **29/458,726**

(22) Filed: **Jun. 21, 2013**

(30) **Foreign Application Priority Data**

Dec. 21, 2012 (EM) ..... 002 158 253

(51) **LOC (10) Cl.** ..... **12-16**

(52) **U.S. Cl.**  
USPC ..... **D12/192**

(58) **Field of Classification Search**  
USPC ..... D12/192, 415, 110, 114; 180/90;  
280/750-752; 296/190.01-190.09,  
296/191, 70; D15/17, 28; D10/46, 98,  
D10/102-103, 122-127

See application file for complete search history.

(56) **References Cited**

U.S. PATENT DOCUMENTS

D369,999	S	*	5/1996	Sacco et al. ....	D12/192
D372,010	S	*	7/1996	Pfeiffer et al. ....	D12/192
D378,585	S	*	3/1997	Duguid et al. ....	D12/192
D397,977	S	*	9/1998	Hellhake et al. ....	D12/192
D608,265	S	*	1/2010	Collins et al. ....	D12/192
D654,837	S	*	2/2012	Riggs et al. ....	D12/192

\* cited by examiner

*Primary Examiner* — Katrina A Betton

(74) *Attorney, Agent, or Firm* — King & Spalding L.L.P.

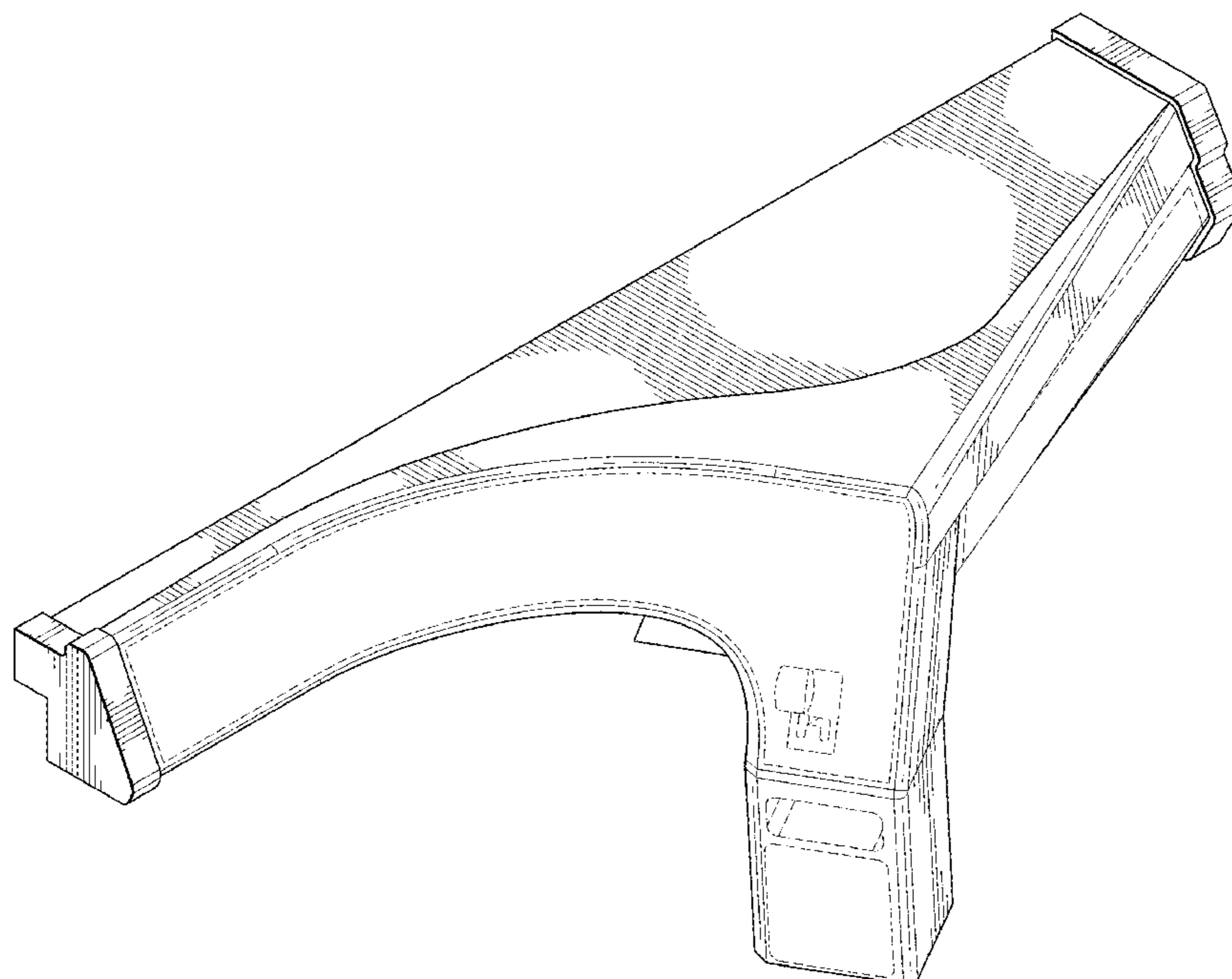
(57) **CLAIM**

The ornamental design for a dashboard for use in a motor vehicle, as shown and described.

**DESCRIPTION**

FIG. 1 illustrates a top left perspective view of a dashboard for use in a motor vehicle;  
FIG. 2 illustrates a front elevational view of a dashboard for use in a motor vehicle;  
FIG. 3 illustrates a rear elevational view of a dashboard for use in a motor vehicle;  
FIG. 4 illustrates a right side elevational view of a dashboard for use in a motor vehicle;  
FIG. 5 illustrates a left side elevational view of a dashboard for use in a motor vehicle;  
FIG. 6 illustrates a top elevational view of a dashboard for use in a motor vehicle;  
FIG. 7 illustrates a bottom elevational view of a dashboard for use in a motor vehicle; and,  
FIG. 8 illustrates a top right perspective view of a dashboard for use in a motor vehicle.

**1 Claim, 7 Drawing Sheets**



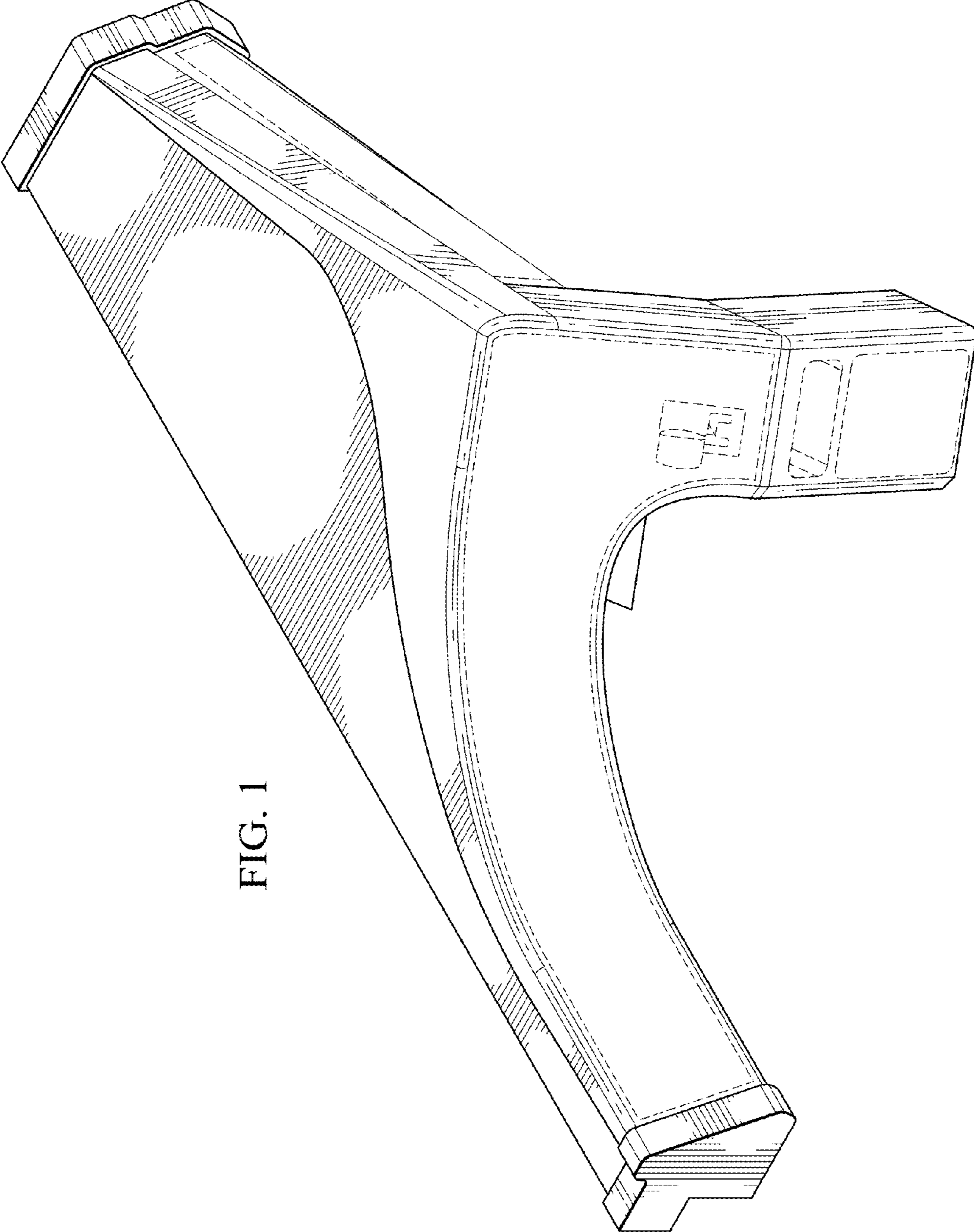


FIG. 1

FIG. 2

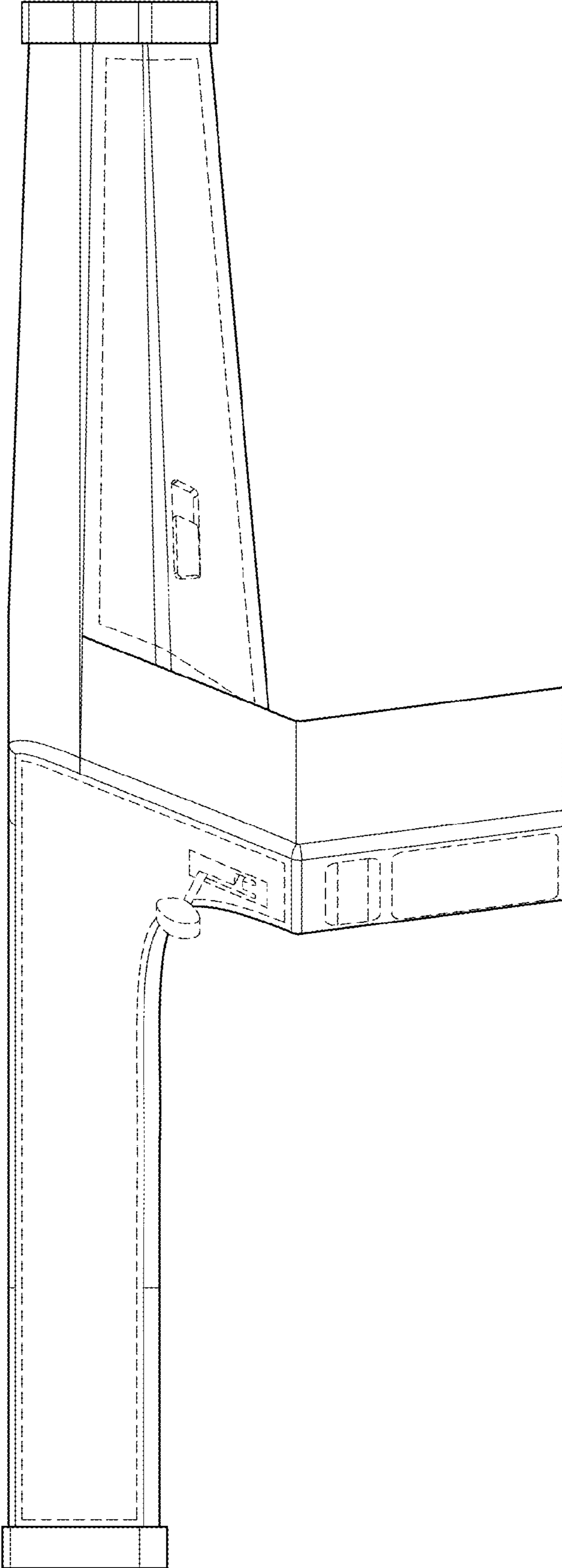


FIG. 3

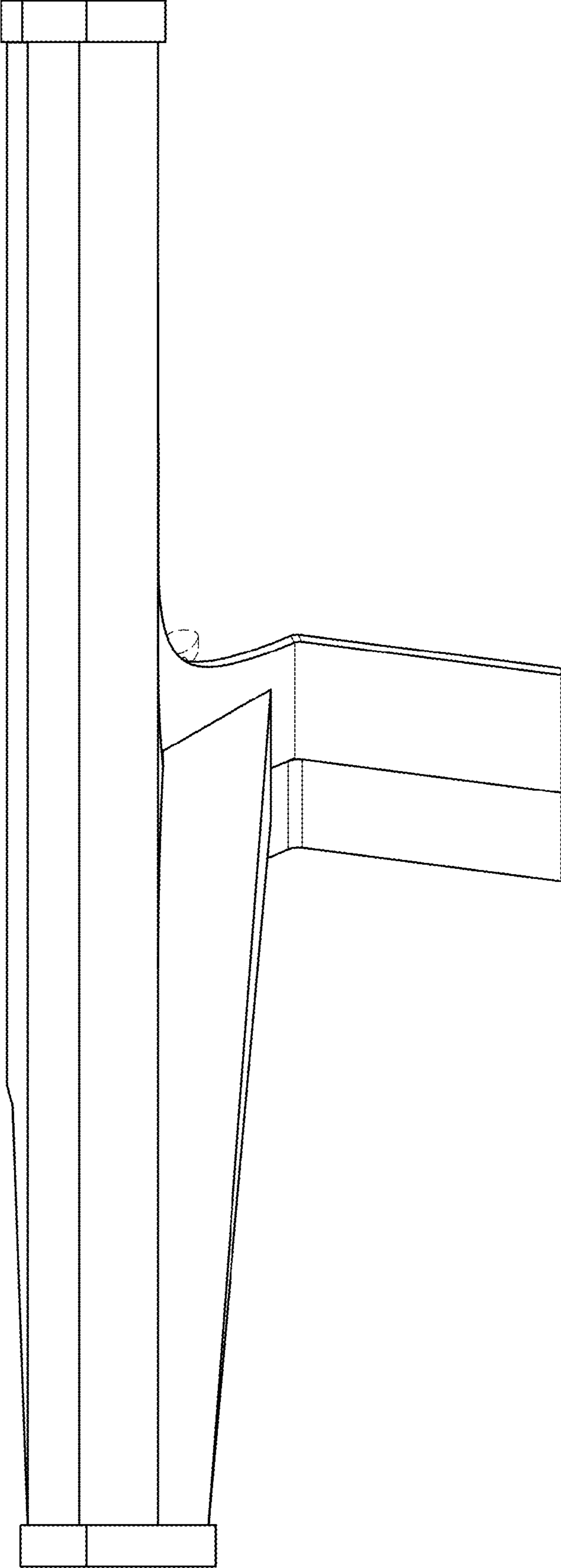


FIG. 5

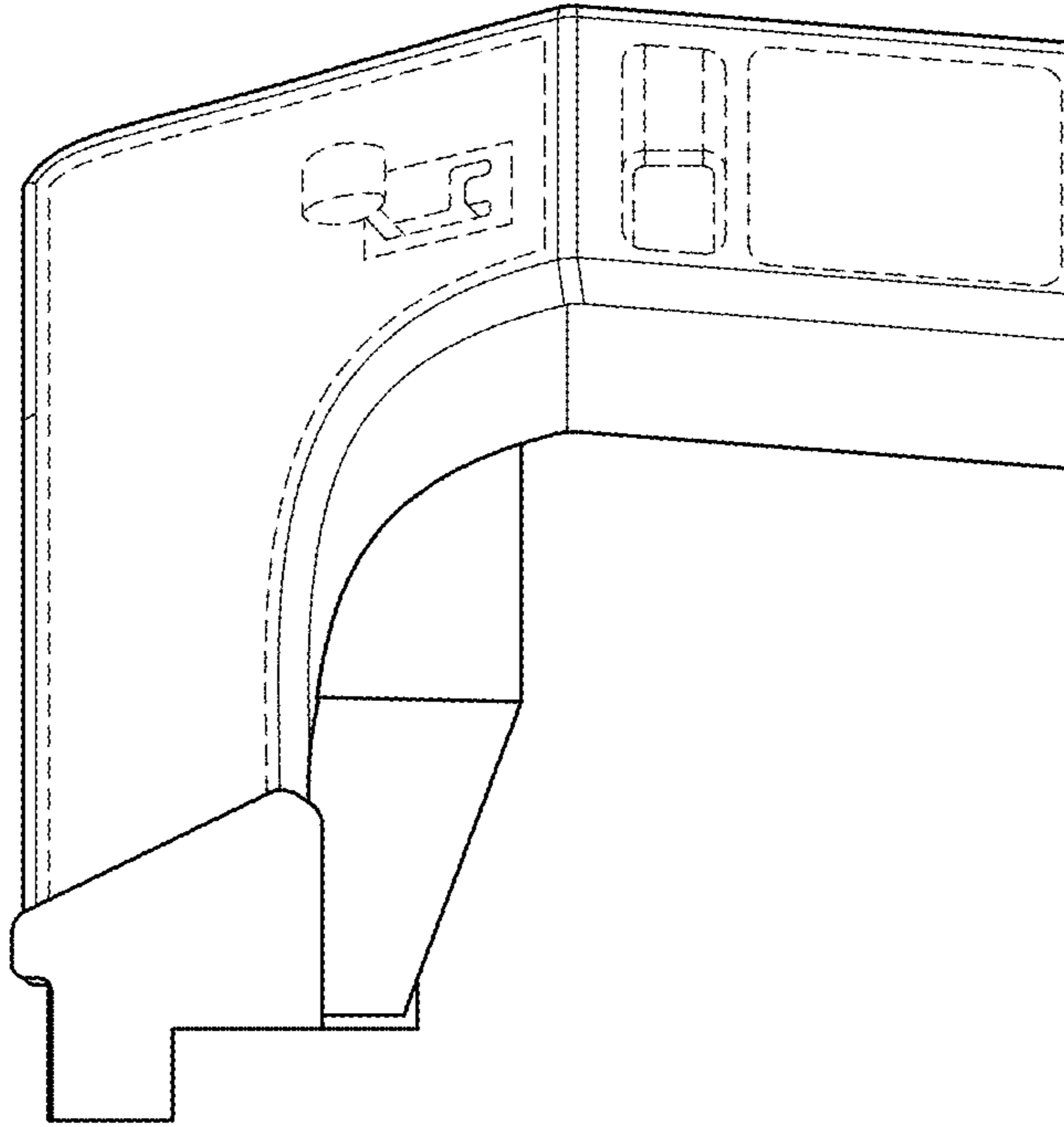


FIG. 4

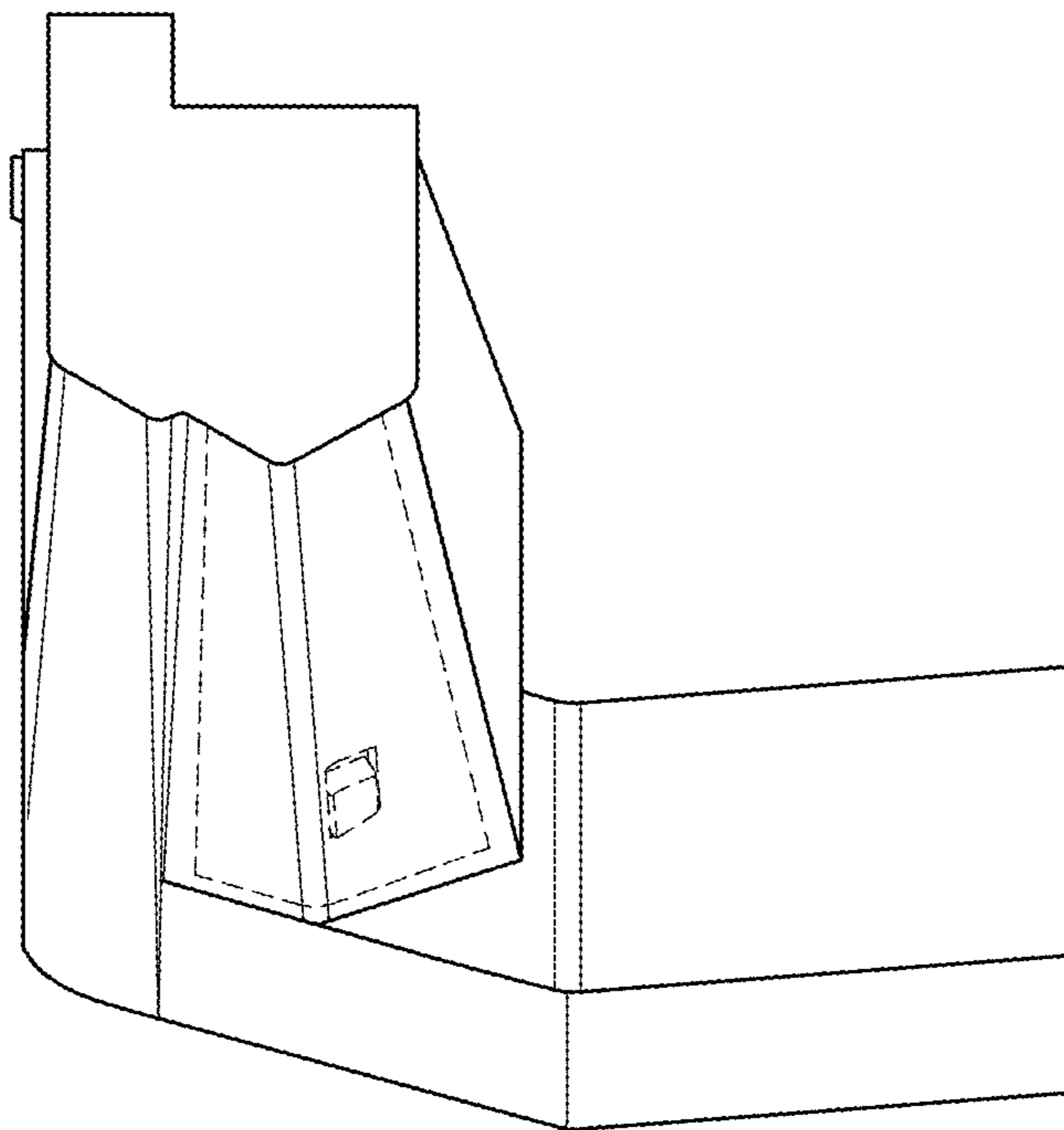
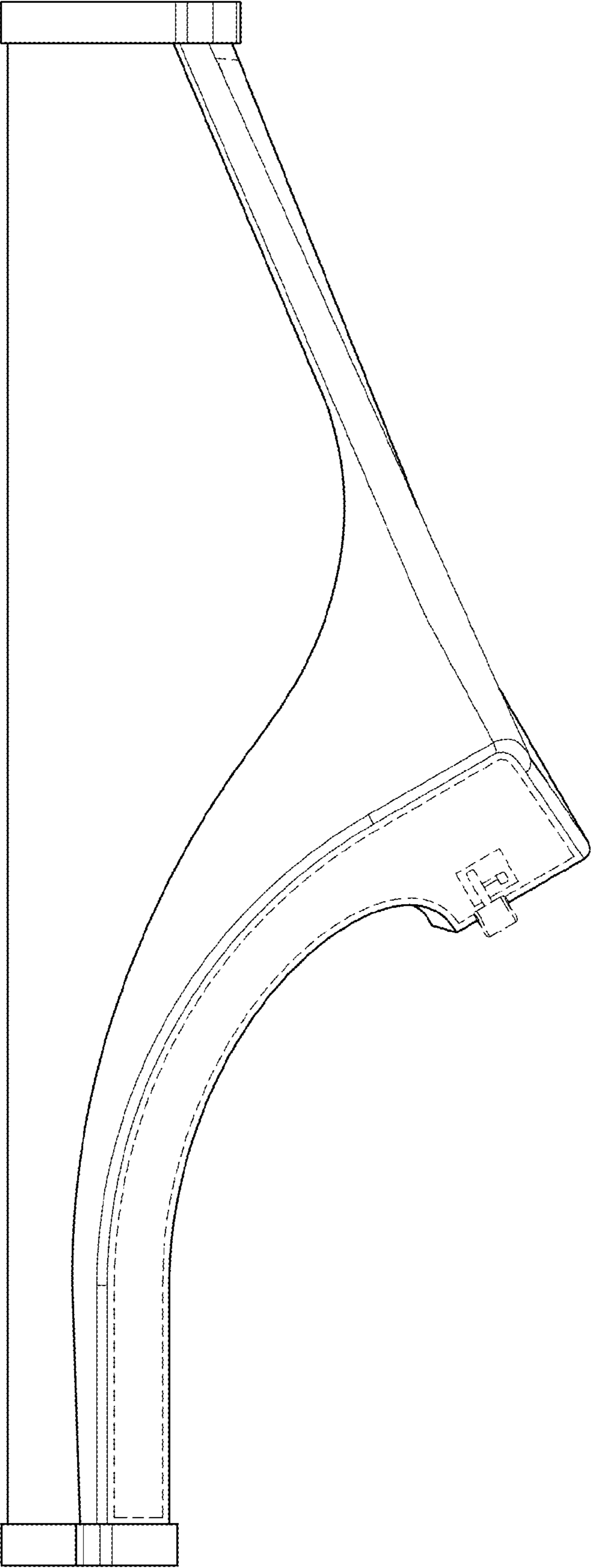




FIG. 6



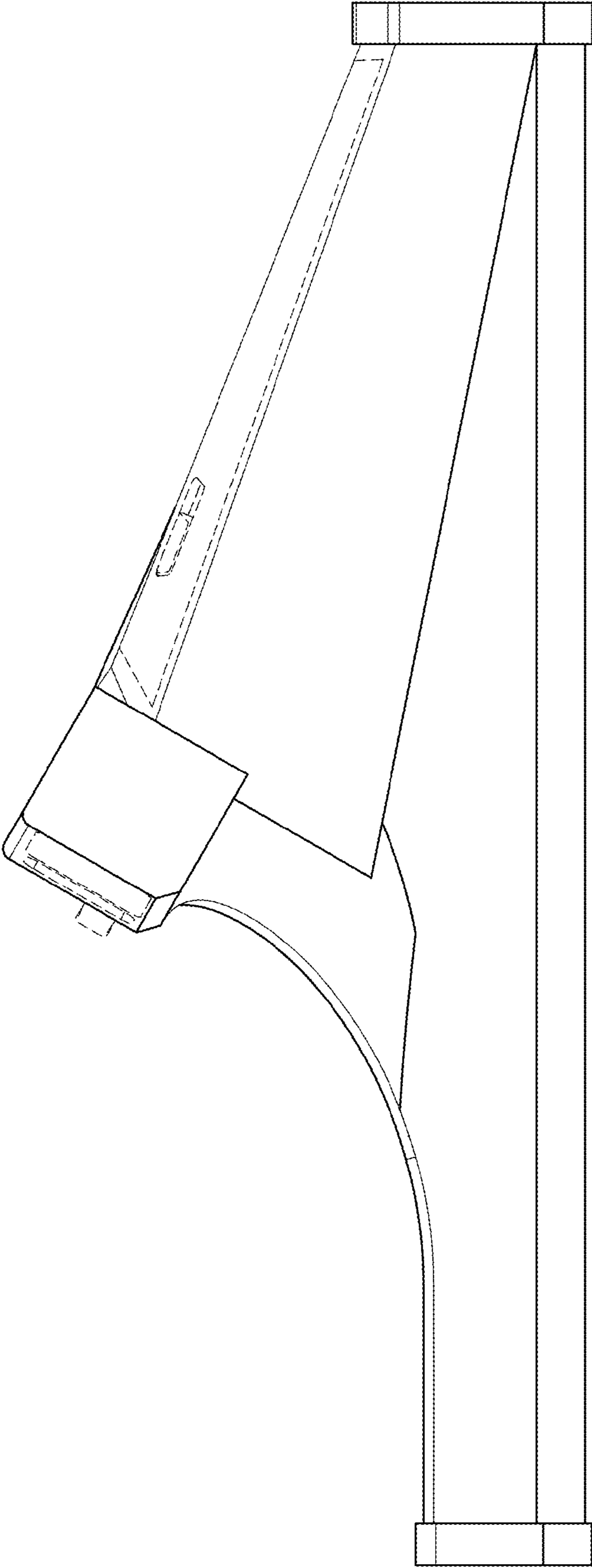


FIG. 7

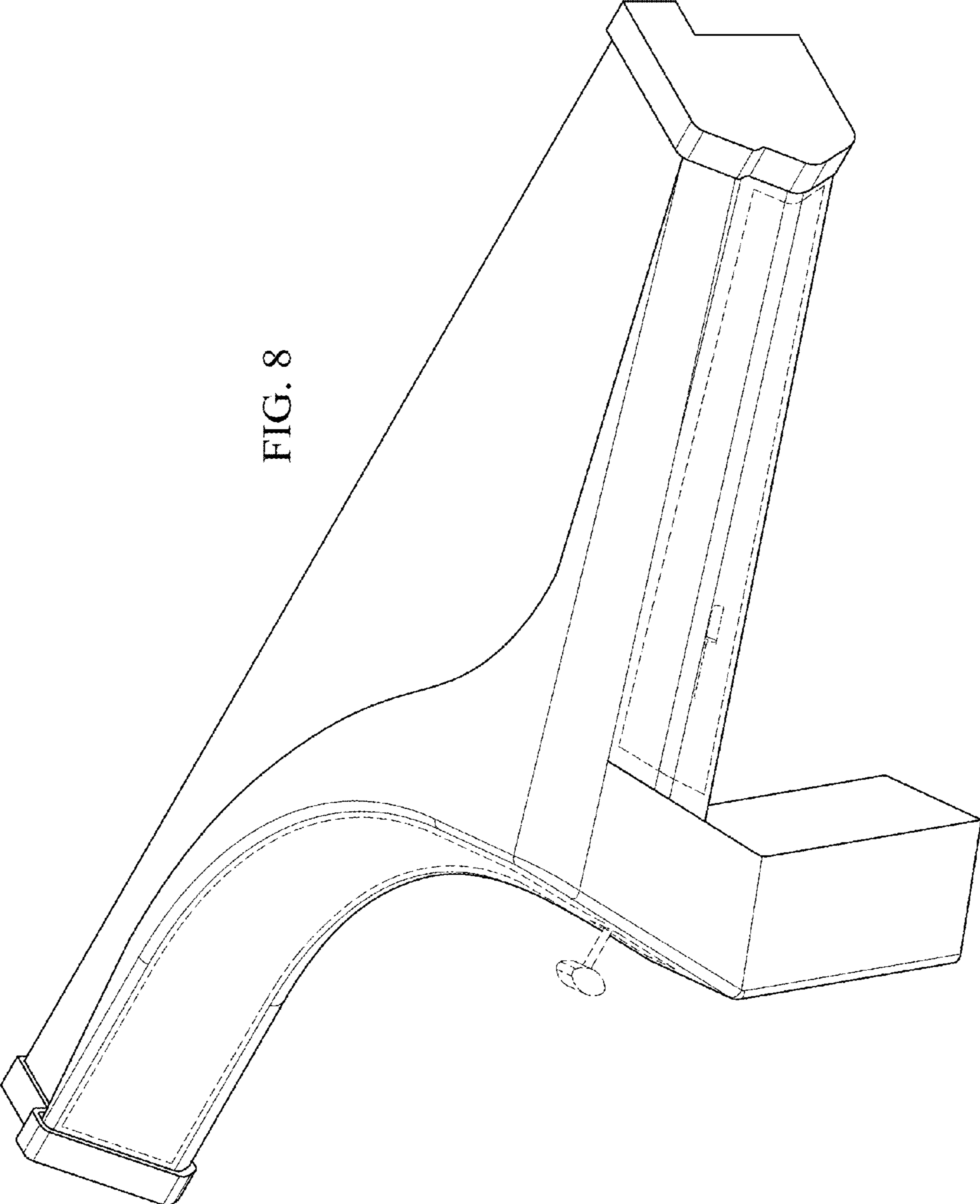


FIG. 8