

US00D697853S

(12) **United States Design Patent**
Uk Chang et al.

(10) **Patent No.:** **US D697,853 S**
(45) **Date of Patent:** **** Jan. 21, 2014**

(54) **DASHBOARD FOR AN AUTOMOBILE**
(71) Applicants: **Ben Uk Chang**, Irvine, CA (US); **Alan Robert Schneider**, Ann Arbor, MI (US)
(72) Inventors: **Ben Uk Chang**, Irvine, CA (US); **Alan Robert Schneider**, Ann Arbor, MI (US)

(73) Assignee: **Toyota Jidosha Kabushiki Kaisha**, Toyota-shi, Aichi-ken (JP)

(**) Term: **14 Years**

(21) Appl. No.: **29/458,713**

(22) Filed: **Jun. 21, 2013**

(30) **Foreign Application Priority Data**

Dec. 26, 2012 (JP) 2012-031505

(51) **LOC (10) Cl.** **12-16**

(52) **U.S. Cl.**
USPC **D12/192**

(58) **Field of Classification Search**
USPC D12/192, 415, 110, 114; 180/90;
280/750-752; 296/190.01-190.09,
296/191, 70; D15/17, 28; D10/46, 98,
D10/102-103, 122-127
See application file for complete search history.

(56) **References Cited**

U.S. PATENT DOCUMENTS

D413,095 S * 8/1999 Abalos et al. D12/192
D470,807 S * 2/2003 Wyszogrod et al. D12/192
D519,893 S * 5/2006 Kabayama et al. D12/192

D549,628 S * 8/2007 Esaki et al. D12/192
D567,162 S * 4/2008 Motozaki et al. D12/192
D567,727 S * 4/2008 Kawaguchi et al. D12/192
D577,640 S * 9/2008 Wyszogrod et al. D12/192
D604,217 S * 11/2009 Kabayama D12/192
D653,185 S * 1/2012 Senda et al. D12/192
D656,074 S * 3/2012 Ohmori et al. D12/192

OTHER PUBLICATIONS

Netcarshow.com; URL: <http://www.netcarshow.com>; Mfg.: Ford; Model: Ford F-150; available on at least Jun. 13, 2012.
Netcarshow.com; URL: http://www.netcarshow.com/dodge/2009-ram_1500; Mfg.: Dodge; Model: Dodge Ram 150 (2009); available on at least Jun. 13, 2012.

* cited by examiner

Primary Examiner — Katrina A Betton

(74) *Attorney, Agent, or Firm* — Finnegan, Henderson, Farabow, Garrett & Dunner, LLP

(57) **CLAIM**

The ornamental design for a dashboard for an automobile, as shown and described.

DESCRIPTION

FIG. 1 is a front perspective view of a dashboard for an automobile showing our new design;
FIG. 2 is a front view thereof;
FIG. 3 is a rear view thereof;
FIG. 4 is a left side view thereof;
FIG. 5 is a right side view thereof;
FIG. 6 is a top plan view thereof; and,
FIG. 7 is a bottom view thereof.
Our design includes the mirror image of the embodiment depicted.

1 Claim, 6 Drawing Sheets

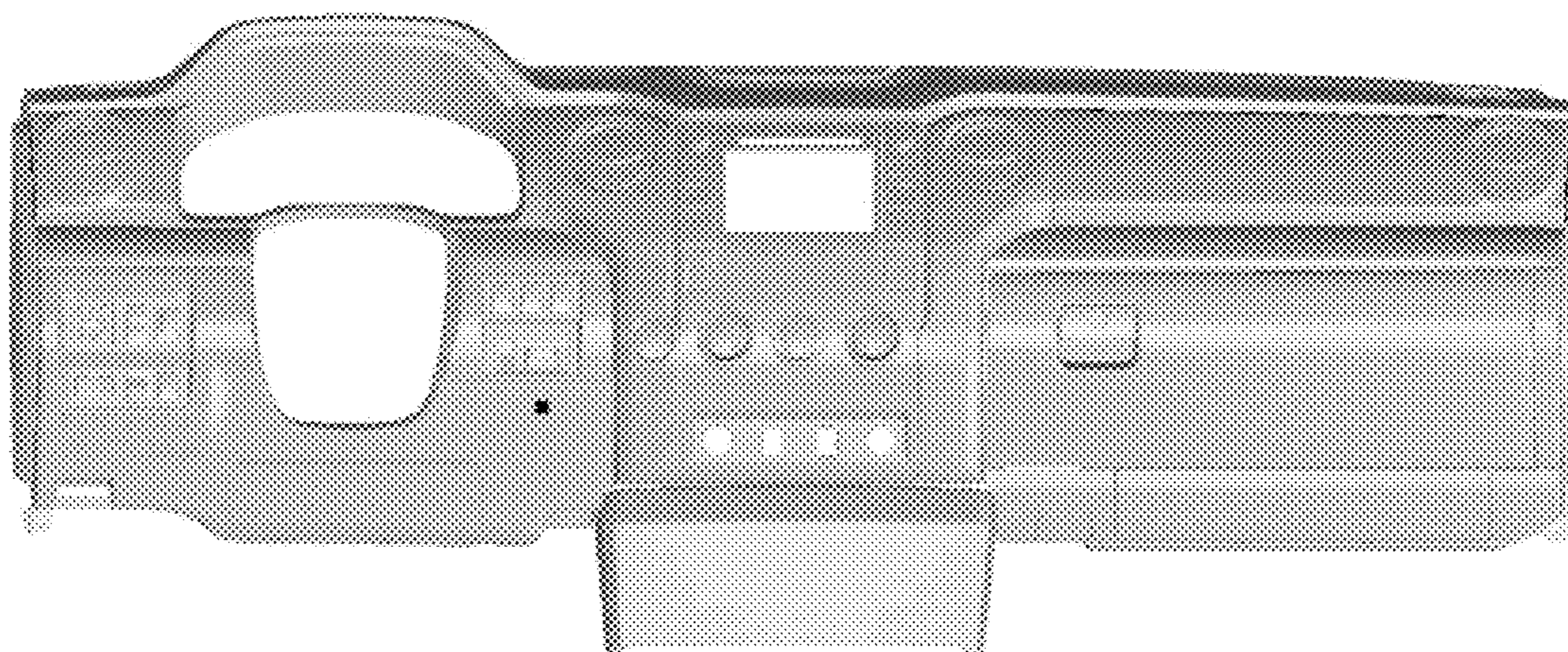




FIG. 1

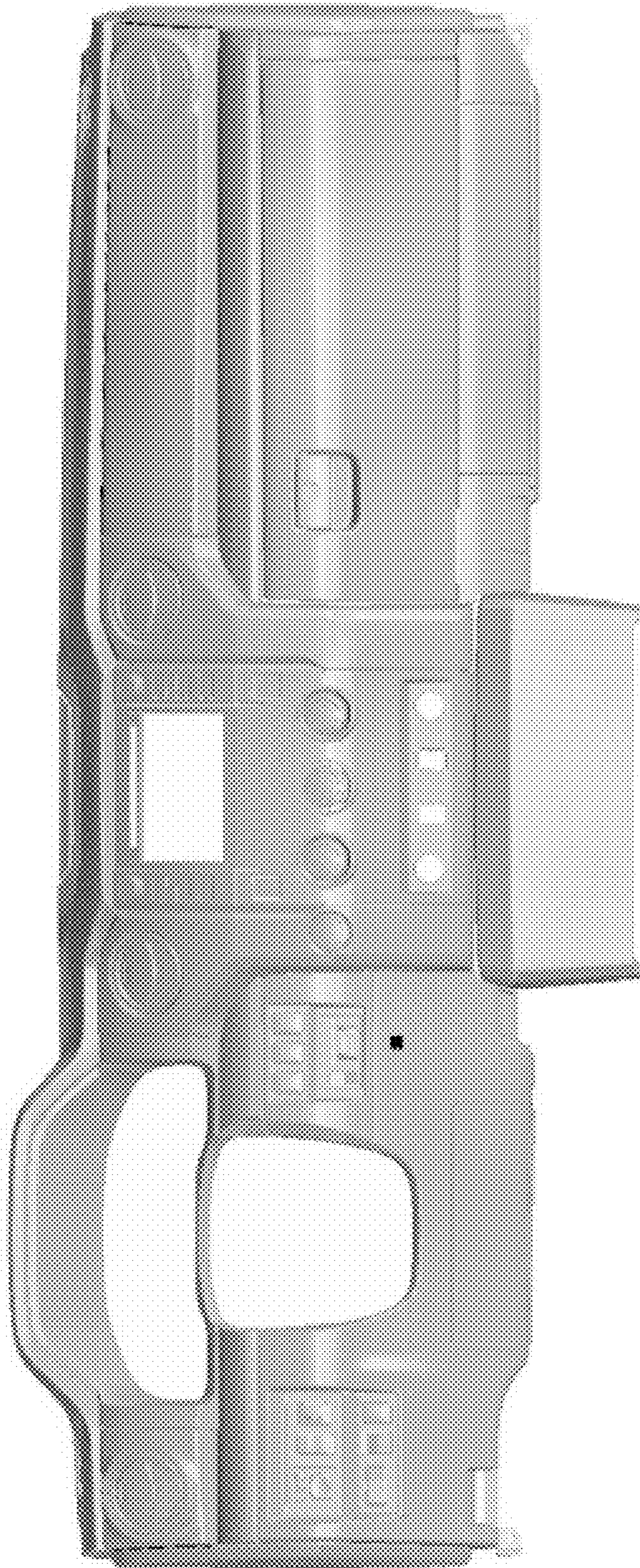


FIG. 2

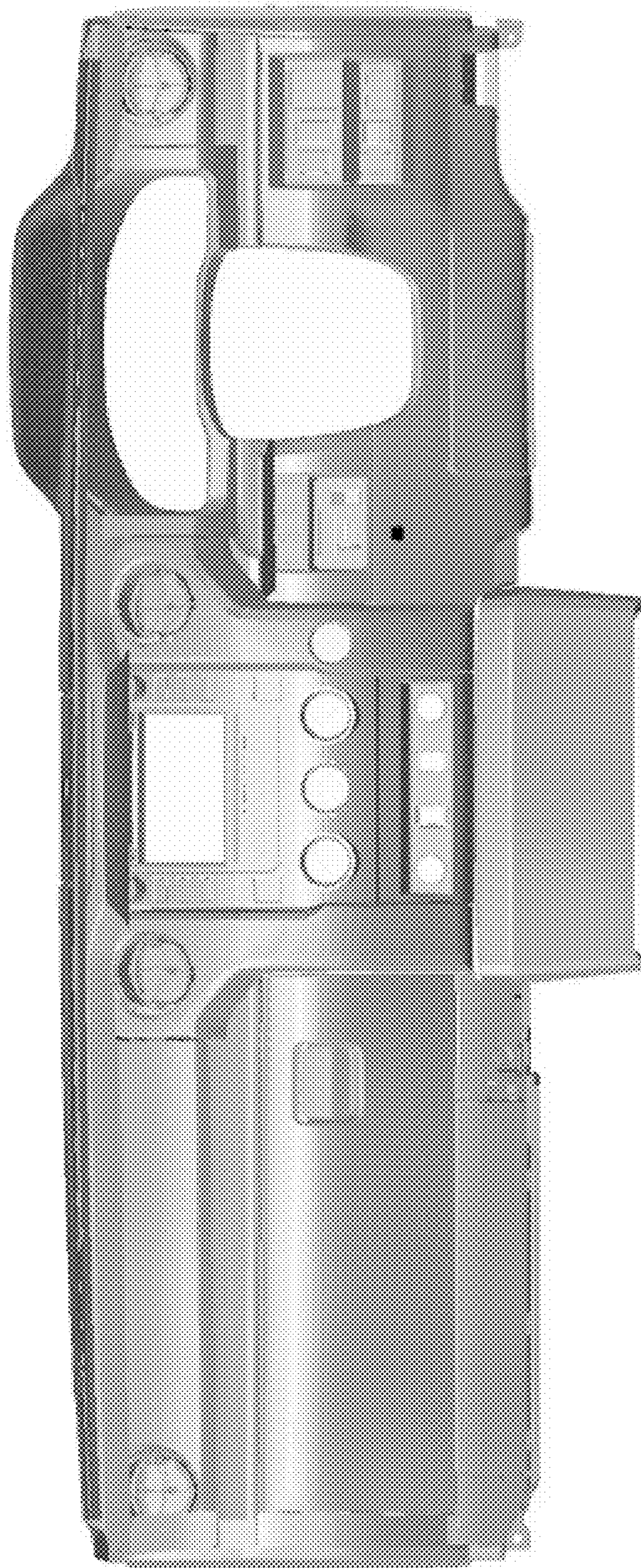


FIG. 3

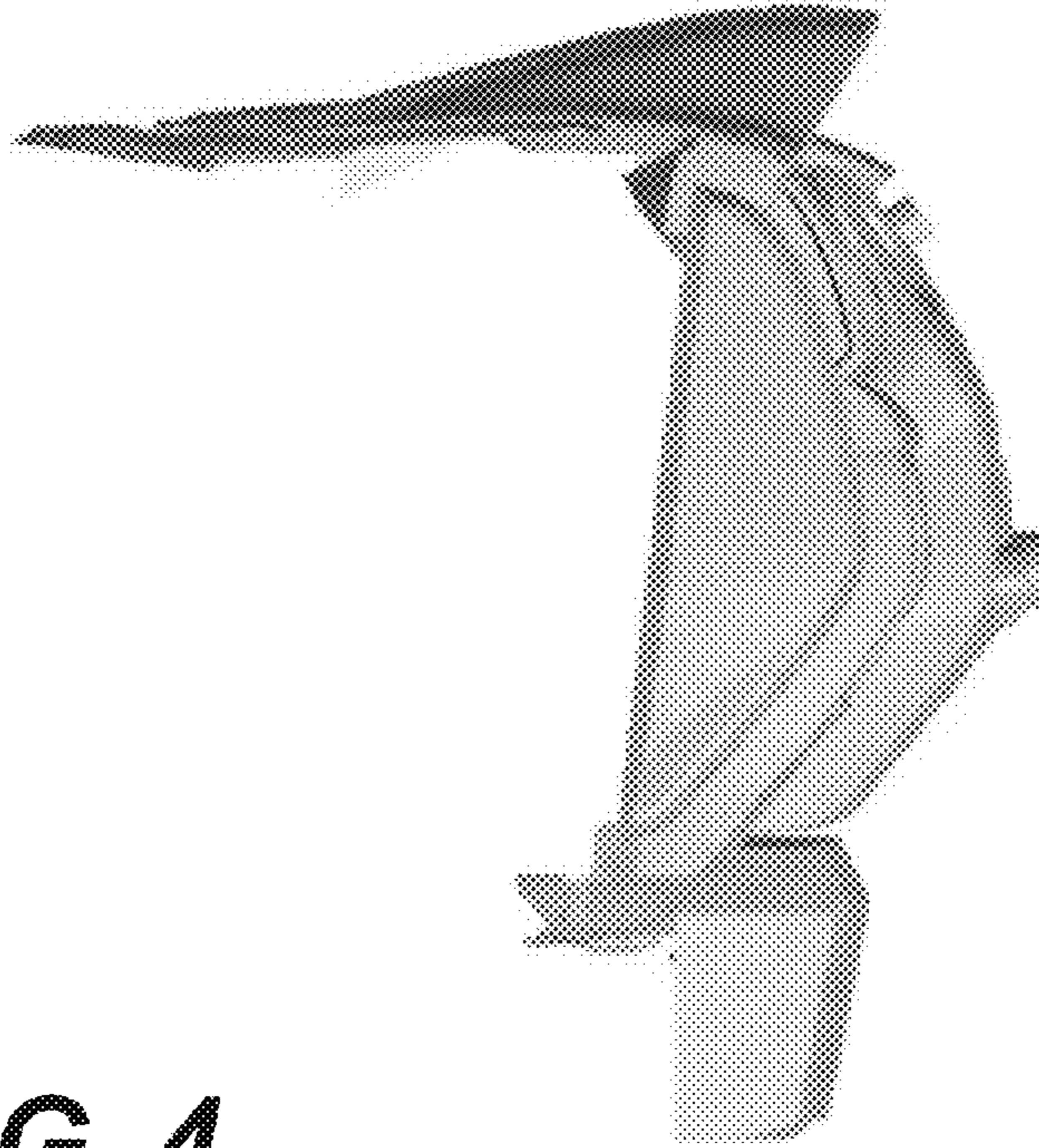


FIG. 4

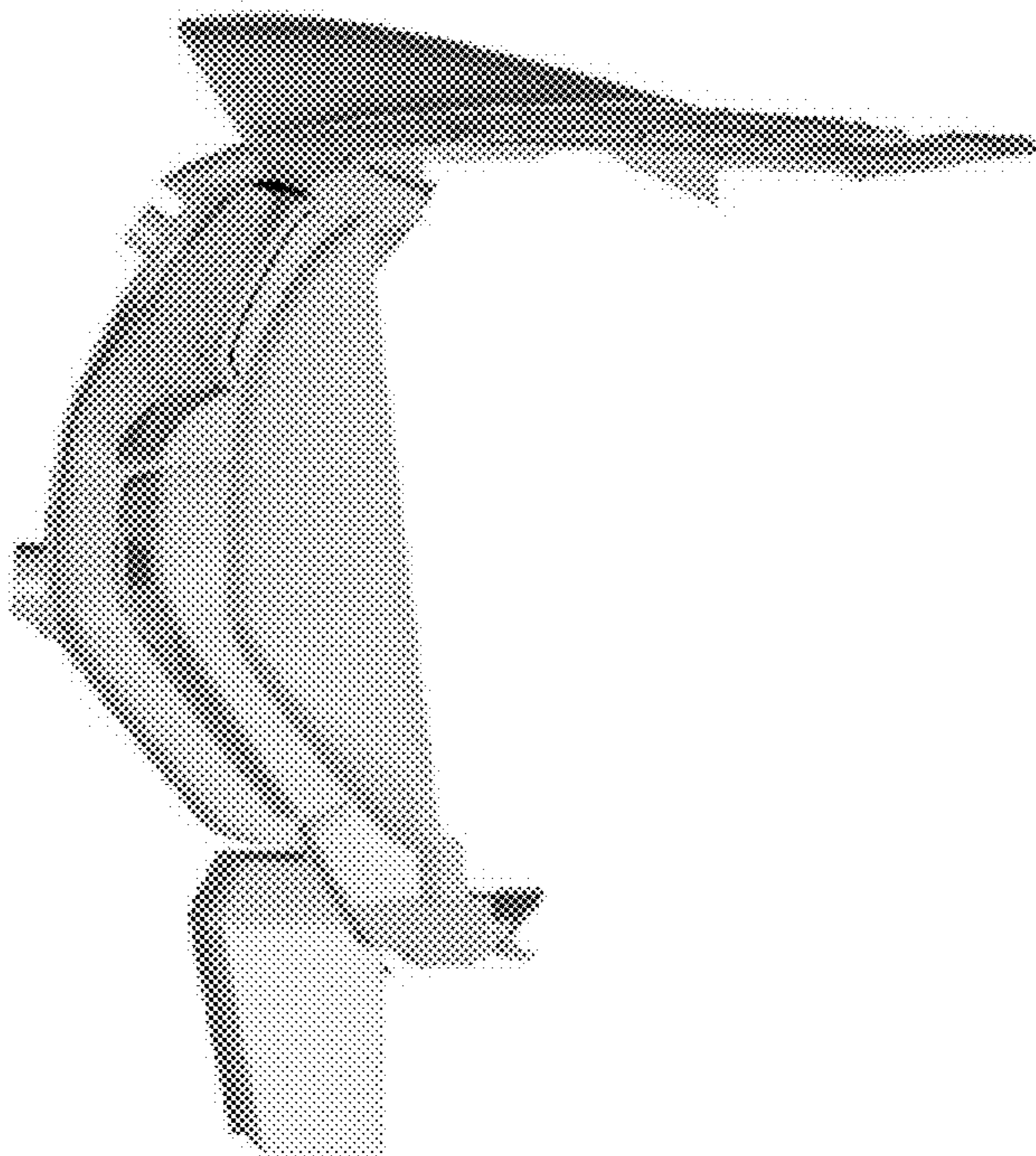


FIG. 5



FIG. 6

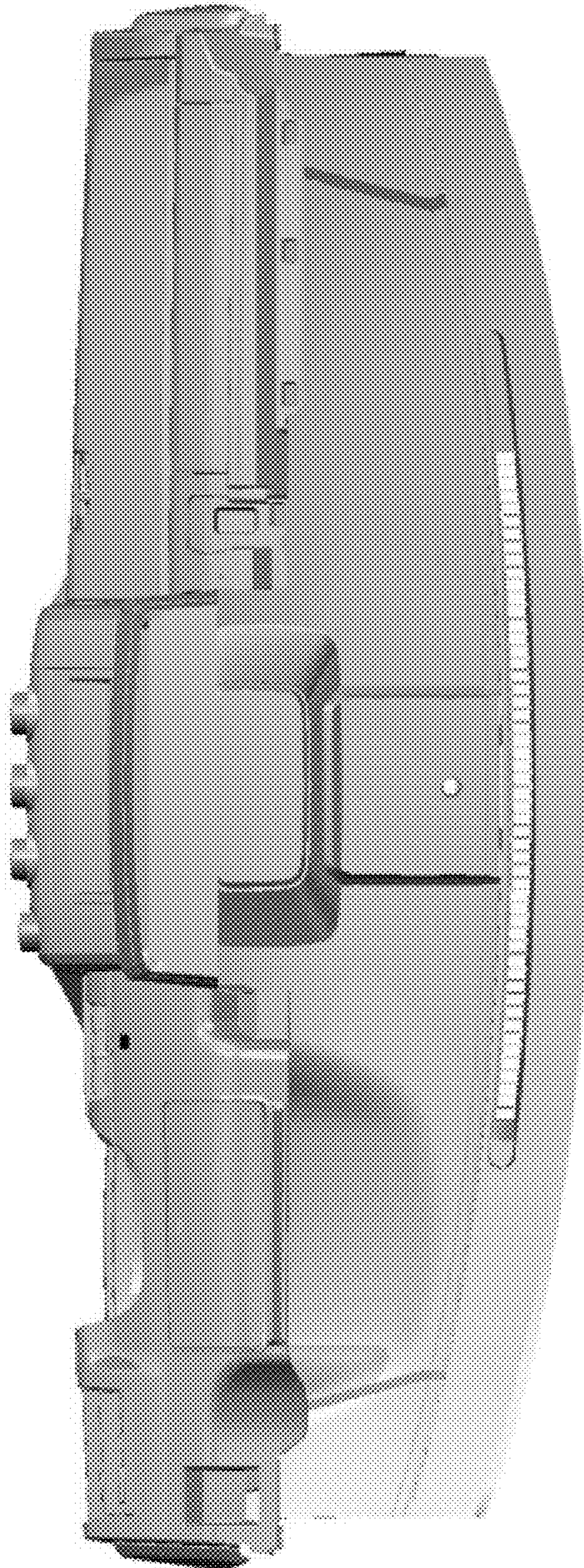


FIG. 7