



US00D697852S

(12) **United States Design Patent**
Yamagata et al.

(10) **Patent No.:** **US D697,852 S**
(45) **Date of Patent:** **** Jan. 21, 2014**

- (54) **INSTRUMENT PANEL FOR AN AUTOMOBILE**
- (71) Applicant: **Nissan Motor Co., Ltd.**, Kanagawa (JP)
- (72) Inventors: **Kenjiro Yamagata**, Kanagawa (JP); **Daisuke Seki**, Kanagawa (JP); **Junji Kobari**, Kanagawa (JP); **Ahyoung Min**, Seoul (KR); **Bert Dehaes**, Twyford (GB)
- (73) Assignee: **Nissan Motor Co., Ltd.**, Yokohama (JP)
- (**) Term: **14 Years**

- (21) Appl. No.: **29/451,132**
- (22) Filed: **Mar. 28, 2013**

- (30) **Foreign Application Priority Data**
Sep. 28, 2012 (JP) 2012-023867
- (51) **LOC (10) Cl.** **12-16**
- (52) **U.S. Cl.**
USPC **D12/192**
- (58) **Field of Classification Search**
USPC D12/192, 415, 110, 114; 180/90;
280/750-752; 296/190.01-190.09,
296/191, 70; D15/17, 28; D10/46, 98,
D10/102-103, 122-127
See application file for complete search history.

- (56) **References Cited**
U.S. PATENT DOCUMENTS
D413,095 S * 8/1999 Abalos et al. D12/192
D470,807 S * 2/2003 Wyszogrod et al. D12/192
D519,893 S * 5/2006 Kabayama et al. D12/192
D549,628 S * 8/2007 Esaki et al. D12/192
D567,162 S * 4/2008 Motozaki et al. D12/192

- D567,727 S * 4/2008 Kawaguchi et al. D12/192
- D577,640 S * 9/2008 Wyszogrod et al. D12/192
- D604,217 S * 11/2009 Kabayama D12/192
- D653,185 S * 1/2012 Senda et al. D12/192
- D656,074 S * 3/2012 Ohmori et al. D12/192

* cited by examiner

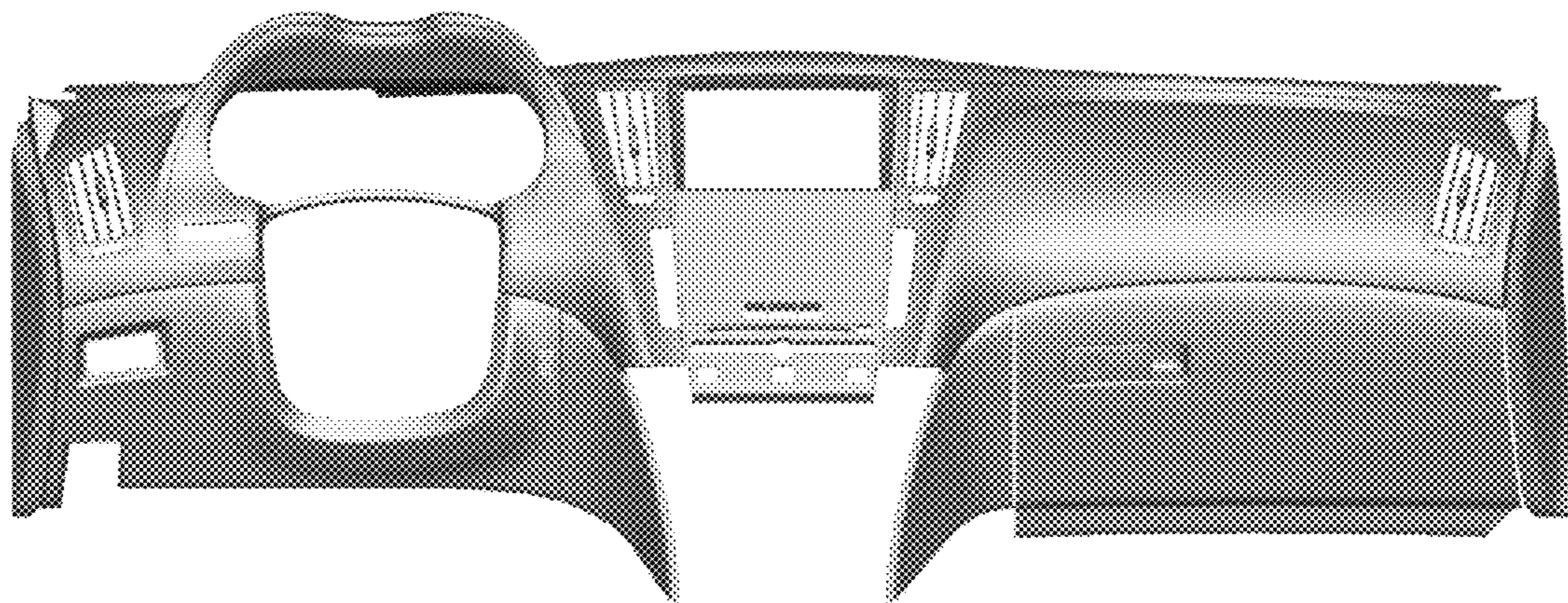
Primary Examiner — Katrina A Betton
(74) *Attorney, Agent, or Firm* — Global IP Counselors, LLP

(57) **CLAIM**
The ornamental design for an instrument panel for an automobile, as shown and described.

DESCRIPTION

FIG. 1 is a front elevational view of an instrument panel for an automobile in accordance with our new design;
 FIG. 2 is a top plan view of the instrument panel in accordance with our new design of FIG. 1;
 FIG. 3 is a bottom plan view of the instrument panel in accordance with our new design of FIGS. 1 and 2;
 FIG. 4 is a left side elevational view of the instrument panel in accordance with our new design of FIGS. 1 to 3;
 FIG. 5 is a right side elevational view of the instrument panel in accordance with our new design of FIGS. 1 to 4;
 FIG. 6 is a front, left and top side perspective view of the instrument panel in accordance with our new design of FIGS. 1 to 5; and,
 FIG. 7 is a front, right and bottom side perspective view of the instrument panel in accordance with our new design of FIGS. 1 to 6.
 The rear view of the instrument panel forms no part of the claimed design.
 Our new design includes the mirror image of the instrument panel shown in FIGS. 1 to 7.
 In the drawings, the broken lines in depict portions of the article that form no part of the claim.

1 Claim, 7 Drawing Sheets



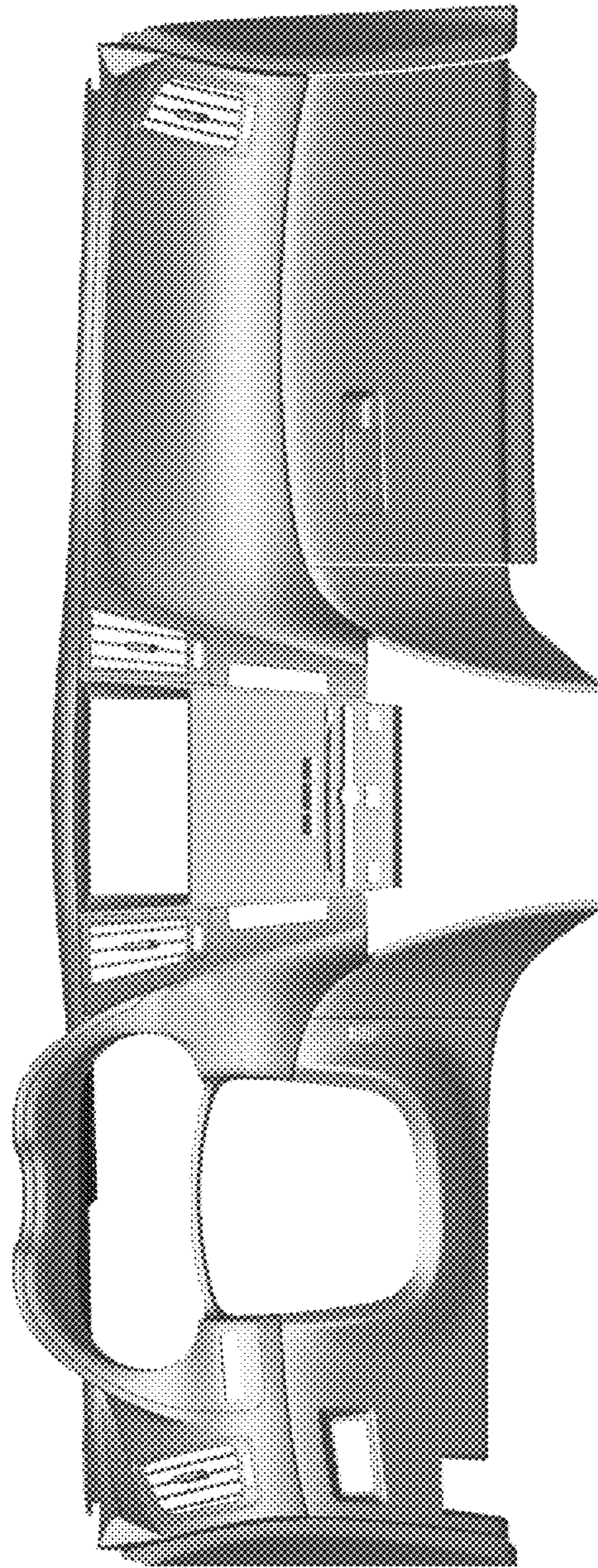


FIG. 1

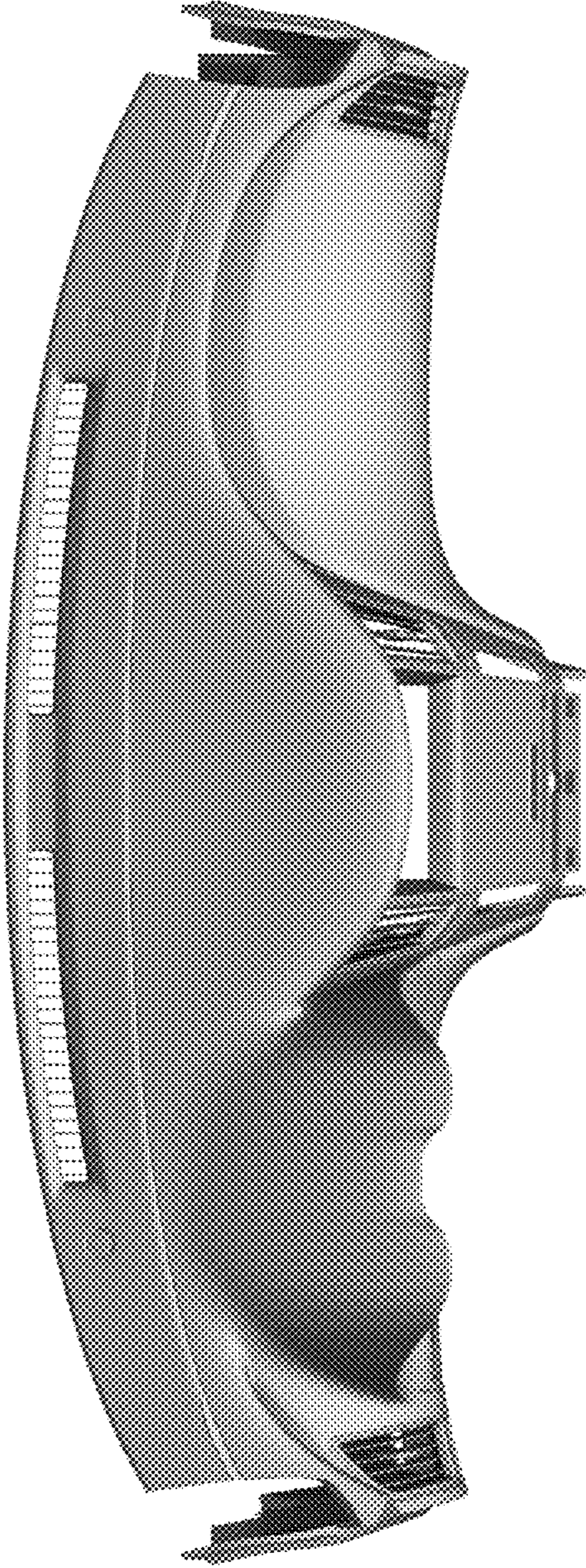


FIG. 2

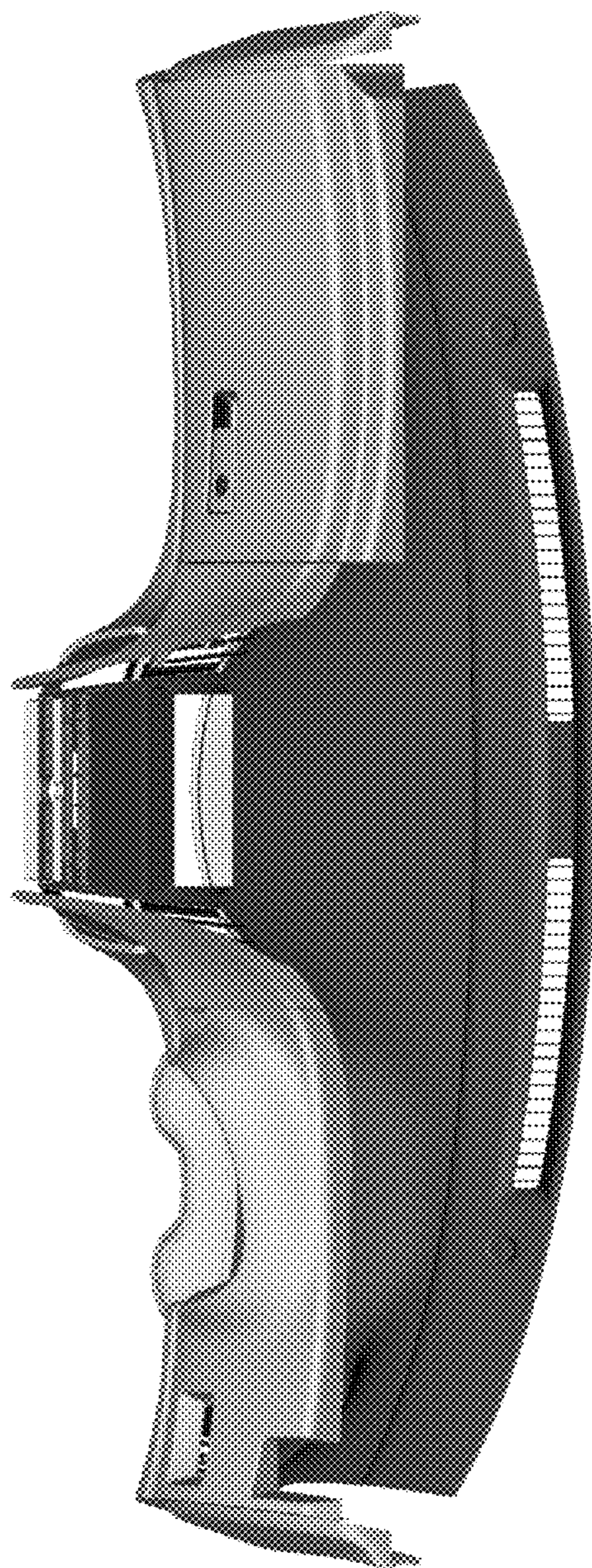


FIG. 3

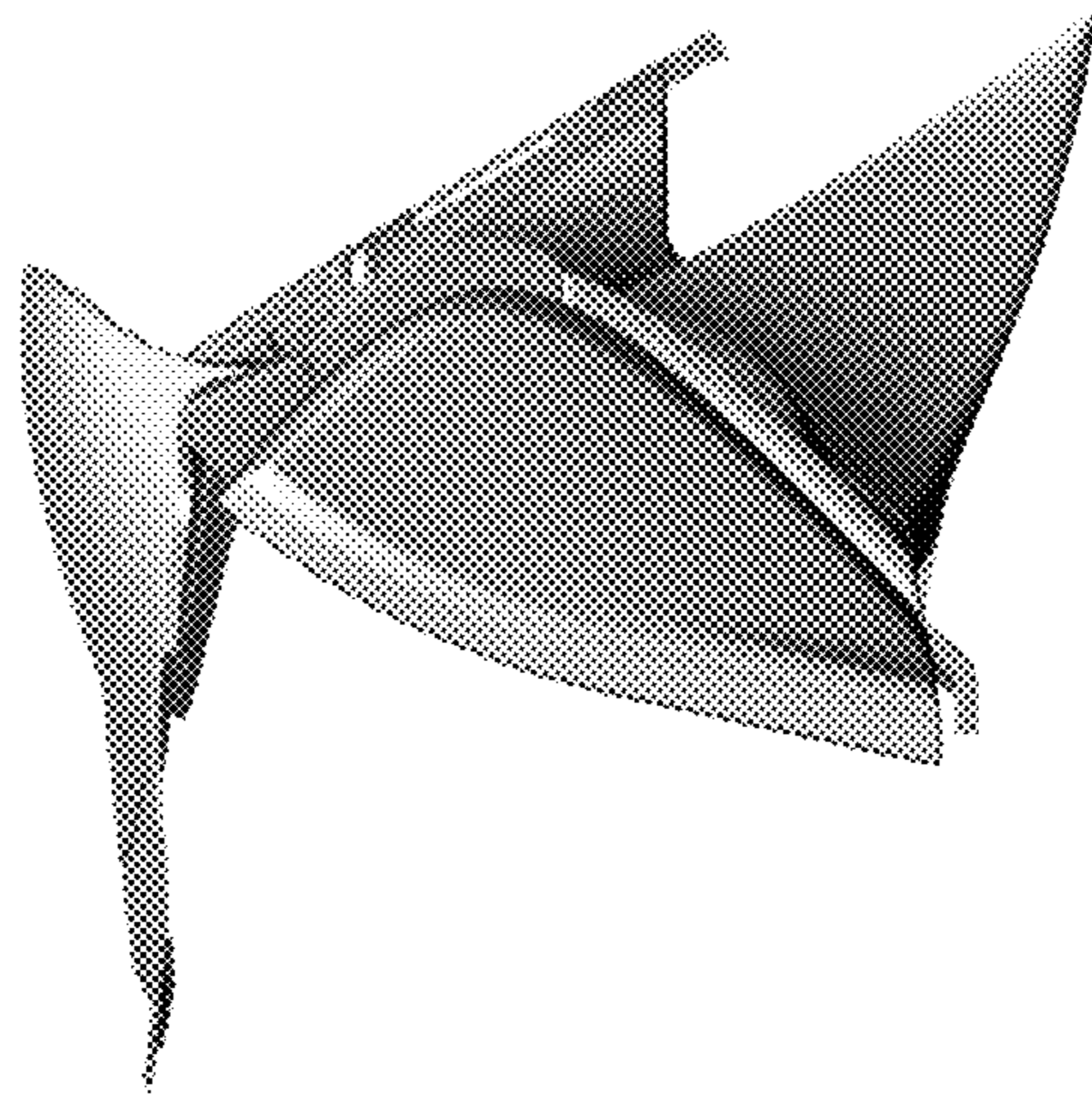


FIG. 4

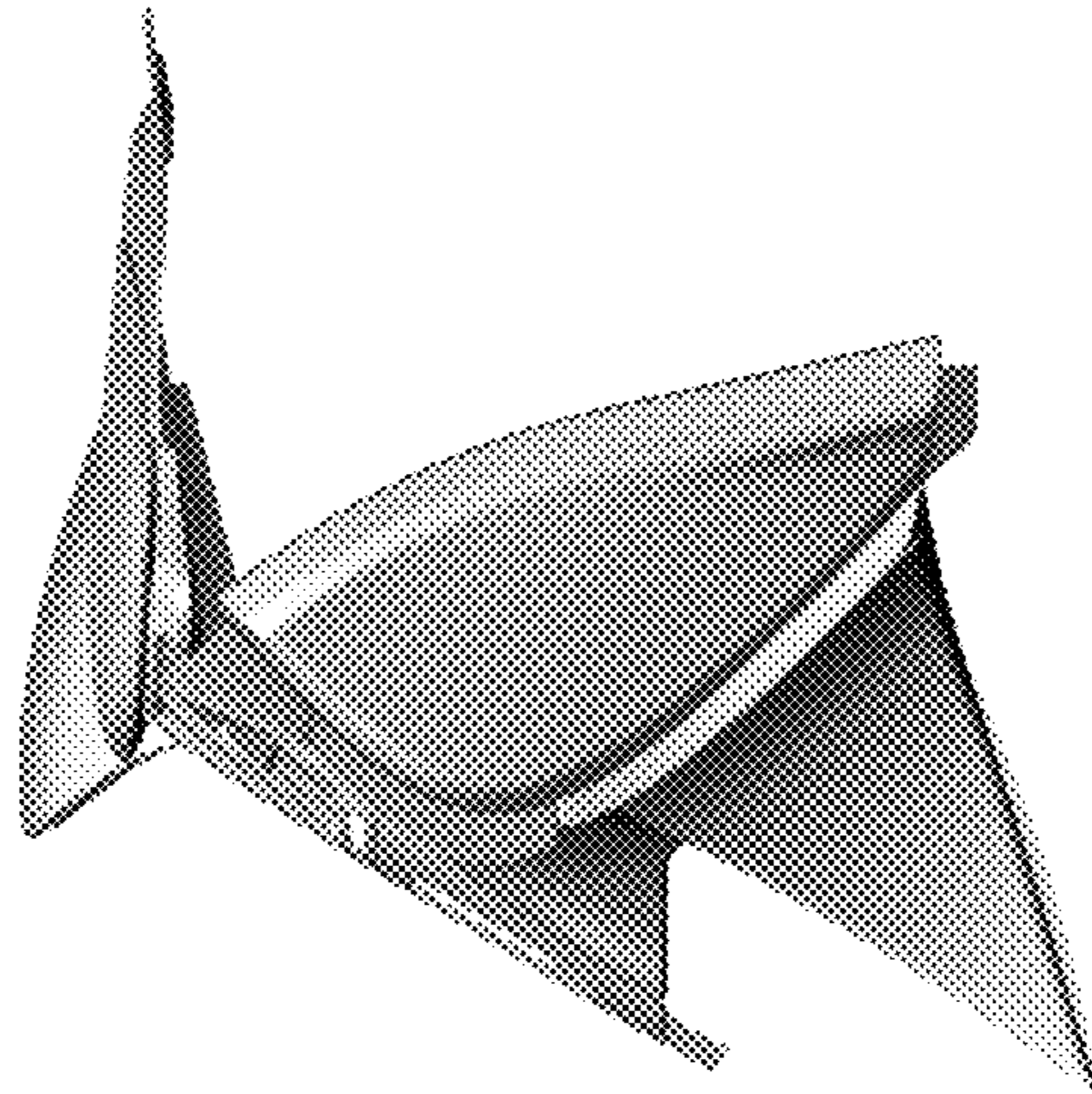


FIG. 5

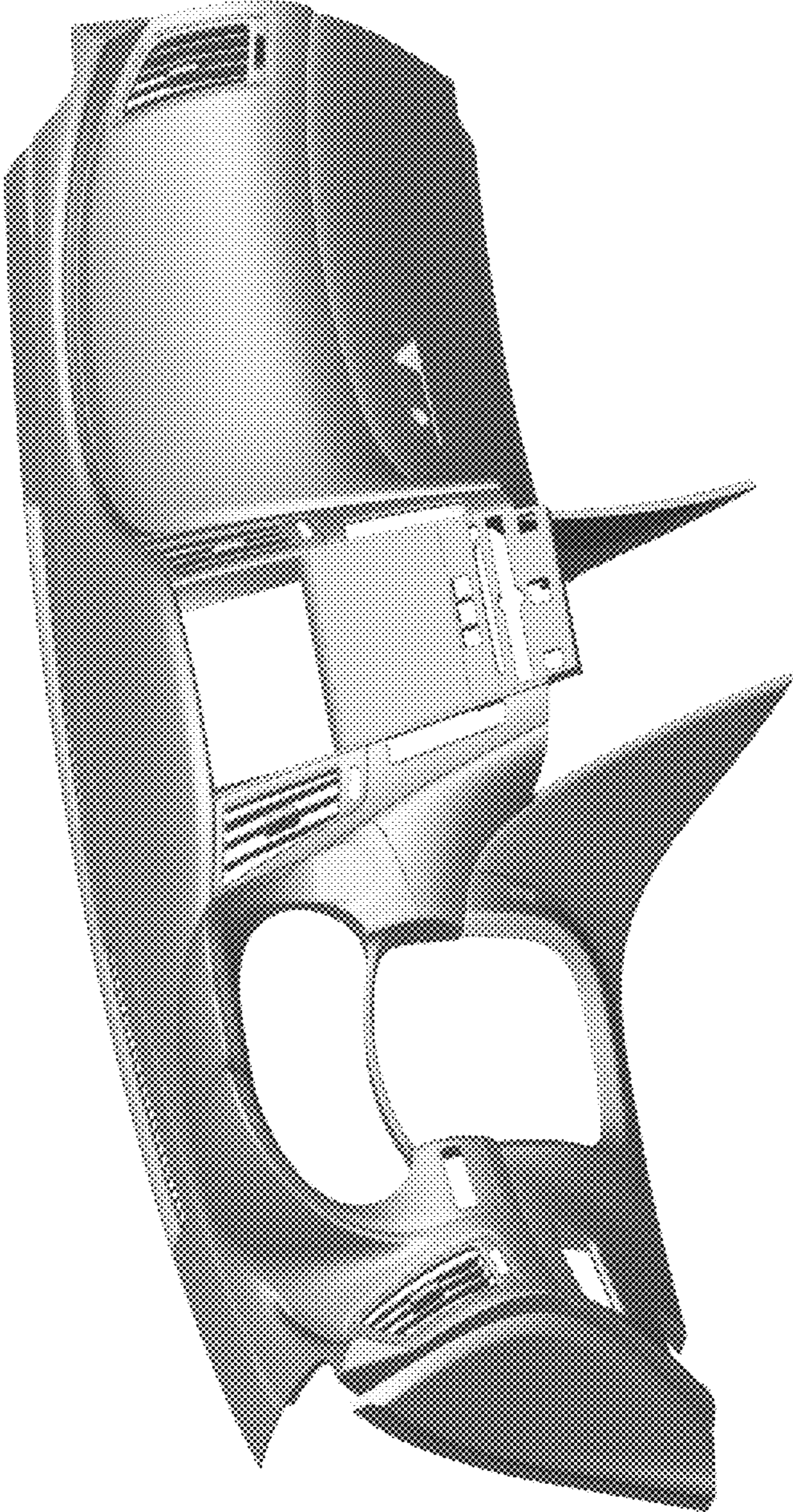


FIG. 6

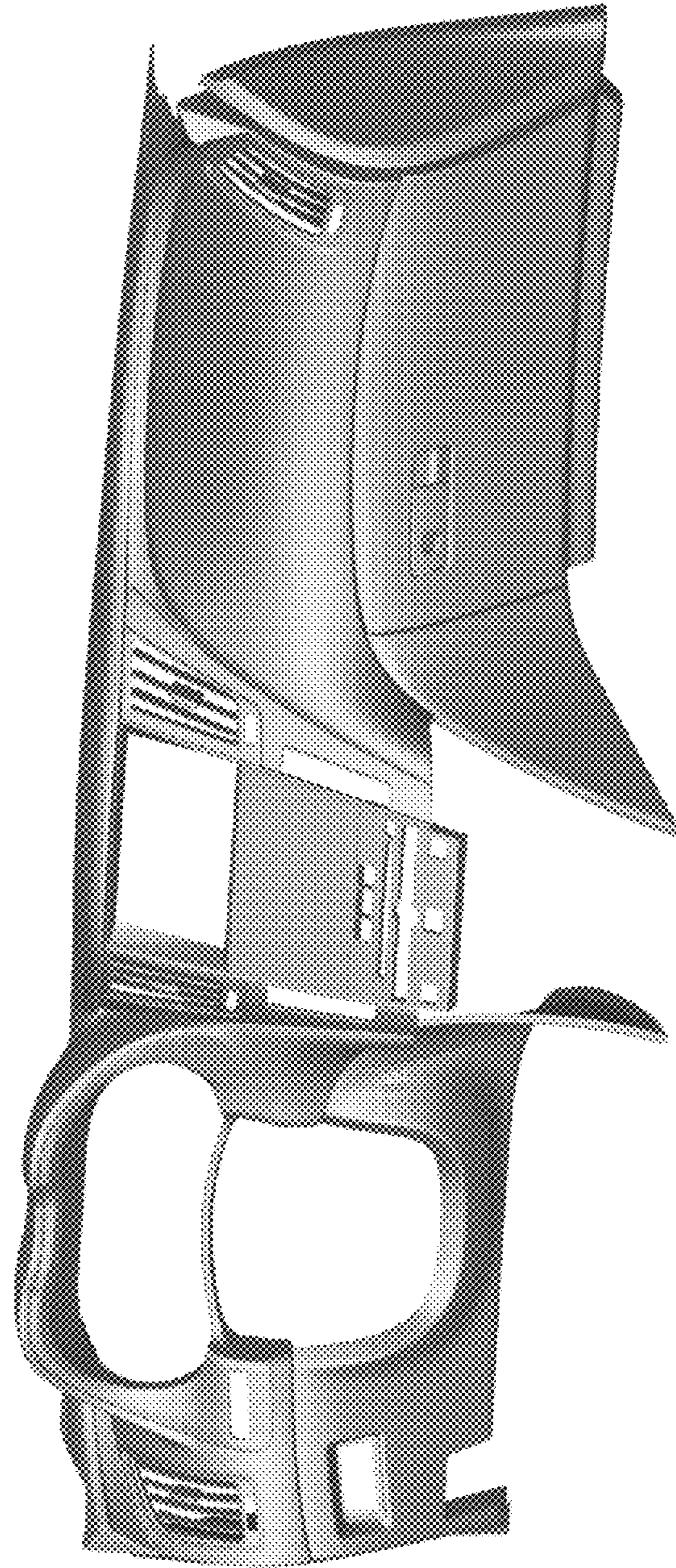


FIG. 7