



US00D697851S

(12) **United States Design Patent**
Woo et al.

(10) **Patent No.:** **US D697,851 S**
(45) **Date of Patent:** **** Jan. 21, 2014**

(54) **IN-VEHICLE CLUSTER**

(71) Applicants: **Sang-Sung Woo**, Seoul (KR); **Sang-Min Hyun**, Seoul (KR); **Dae-Joung Kim**, Seoul (KR)

(72) Inventors: **Sang-Sung Woo**, Seoul (KR); **Sang-Min Hyun**, Seoul (KR); **Dae-Joung Kim**, Seoul (KR)

(73) Assignee: **Samsung Electronics Co., Ltd.**, Suwon-si, Gyeonggi-do (KR)

(**) Term: **14 Years**

(21) Appl. No.: **29/450,859**

(22) Filed: **Mar. 25, 2013**

(30) **Foreign Application Priority Data**

Nov. 6, 2012 (KR) 30-2012-0052901

(51) **LOC (10) Cl.** **12-16**

(52) **U.S. Cl.**
USPC **D12/192**

(58) **Field of Classification Search**
USPC D12/192, 415, 110, 114; 180/90;
280/750-752; 296/190.01-190.09,
296/191, 70; D15/17, 28; D10/46, 98,
D10/102-103, 122-127

See application file for complete search history.

(56) **References Cited**

U.S. PATENT DOCUMENTS

D435,818 S *	1/2001	Shimizu et al.	D12/192
D449,026 S *	10/2001	Tsay et al.	D12/192
D529,898 S *	10/2006	Kuribayashi et al.	D14/215
D556,658 S *	12/2007	Kanda et al.	D12/192
D571,270 S *	6/2008	Nakajima	D12/192
D651,952 S *	1/2012	Pegorier et al.	D12/192

* cited by examiner

Primary Examiner — Katrina A Betton

(74) *Attorney, Agent, or Firm* — Flynn, Thiel, Boutell & Tanis, P.C.

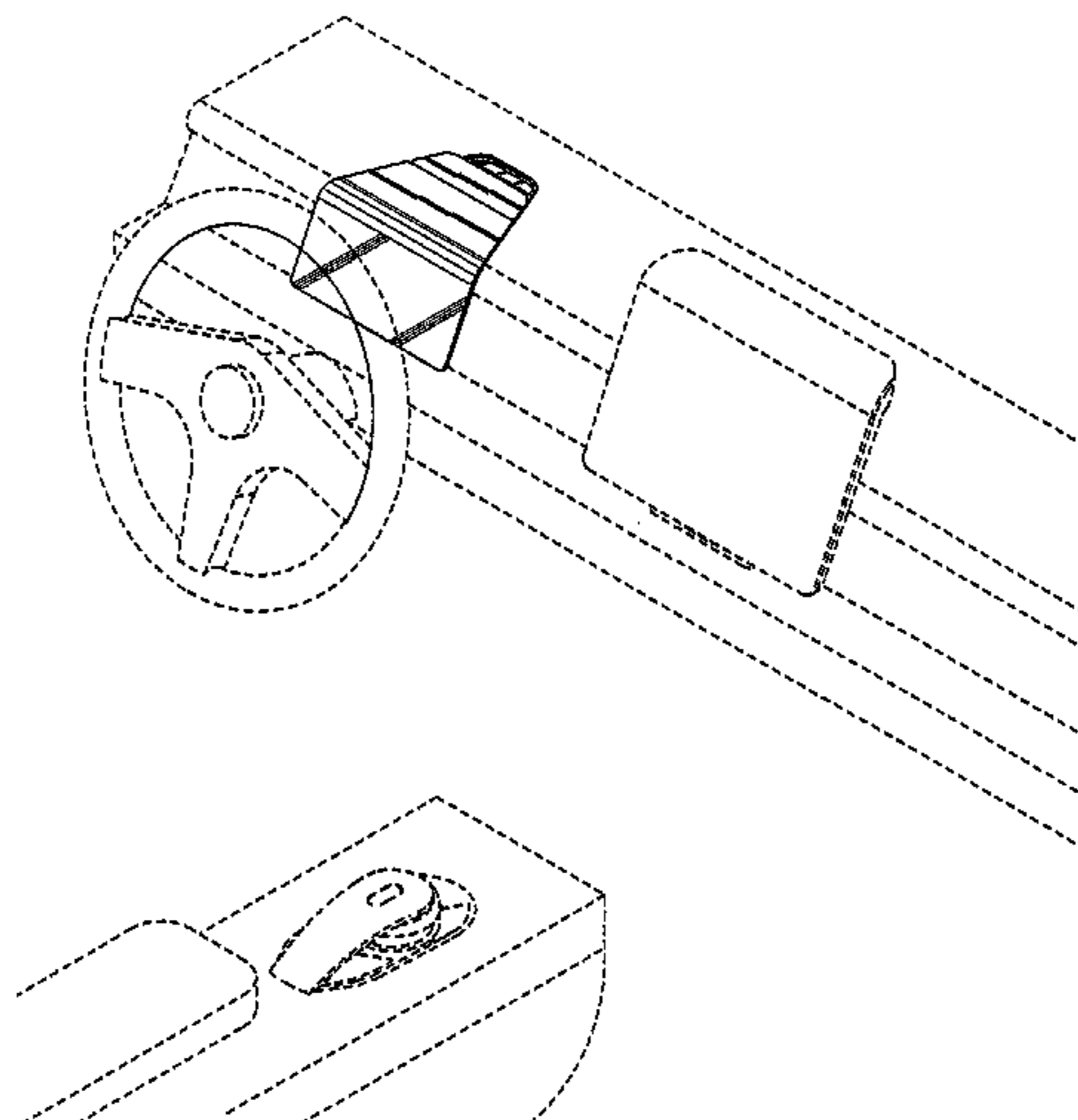
(57) **CLAIM**

The ornamental design for an in-vehicle cluster, as shown and described.

DESCRIPTION

FIG. 1 is a top front perspective view of an in-vehicle cluster showing our new design;
 FIG. 2 is a front elevational view thereof;
 FIG. 3 is a rear elevational view thereof;
 FIG. 4 is a left side elevational view thereof;
 FIG. 5 is a right side elevational view thereof;
 FIG. 6 is a top plan view thereof;
 FIG. 7 is a bottom plan view thereof;
 FIG. 8 is a perspective view thereof showing that the present cluster is installed inside a vehicle;
 FIG. 9 is a perspective view thereof showing the present cluster with its rear cover open;
 FIG. 10 is a front elevational view thereof showing the present cluster with its rear cover open;
 FIG. 11 is a rear elevational view thereof showing the present cluster with its rear cover open;
 FIG. 12 is a left side elevational view thereof showing the present cluster with its rear cover open;
 FIG. 13 is a right side elevational view thereof showing the present cluster with its rear cover open;
 FIG. 14 is a top plan view thereof showing the present cluster with its rear cover open; and,
 FIG. 15 is a bottom plan view thereof showing the present cluster with its rear cover open.
 The broken lines depict environmental subject matter only and form no part of the claimed design.

1 Claim, 11 Drawing Sheets



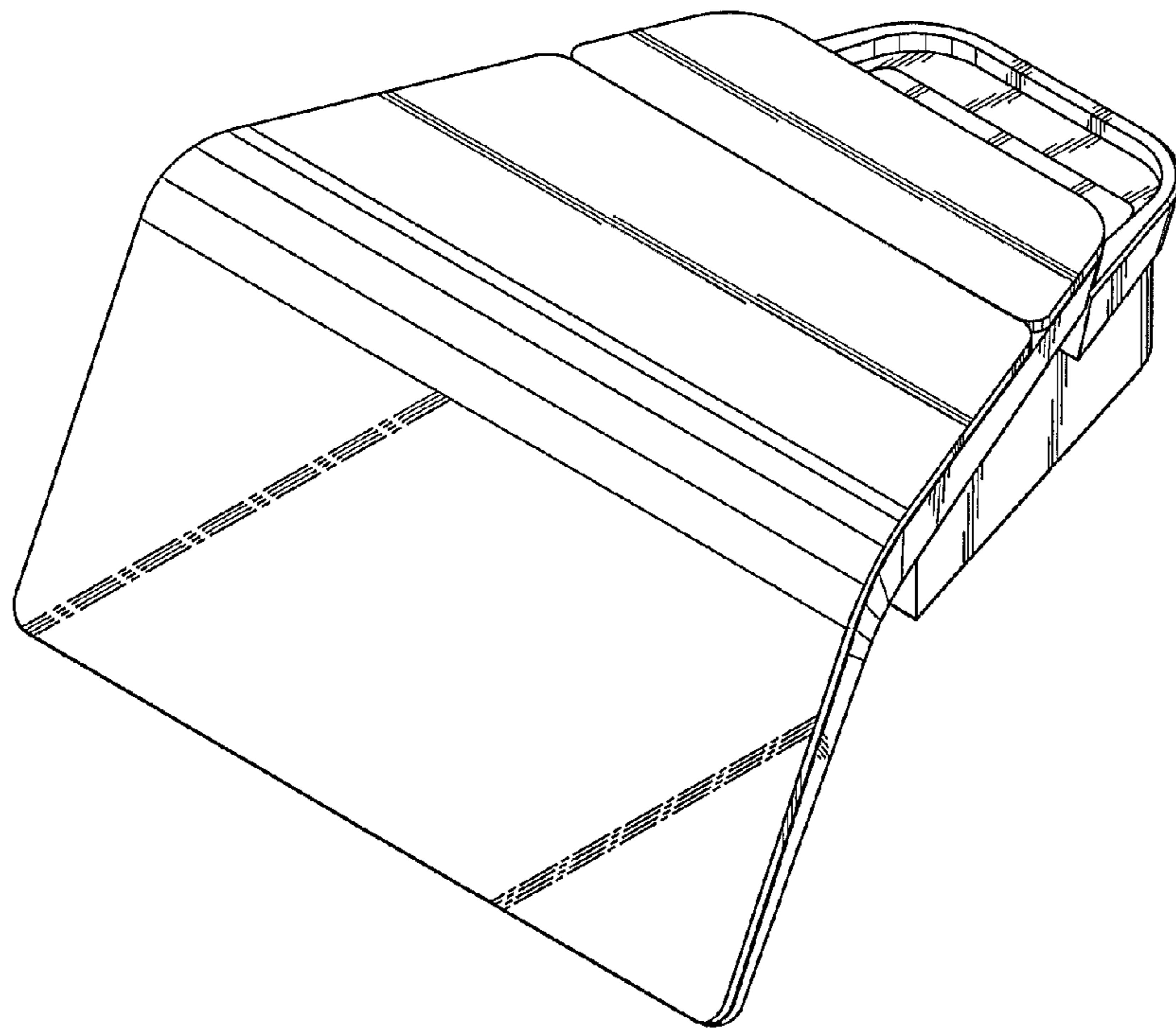


FIG. 1

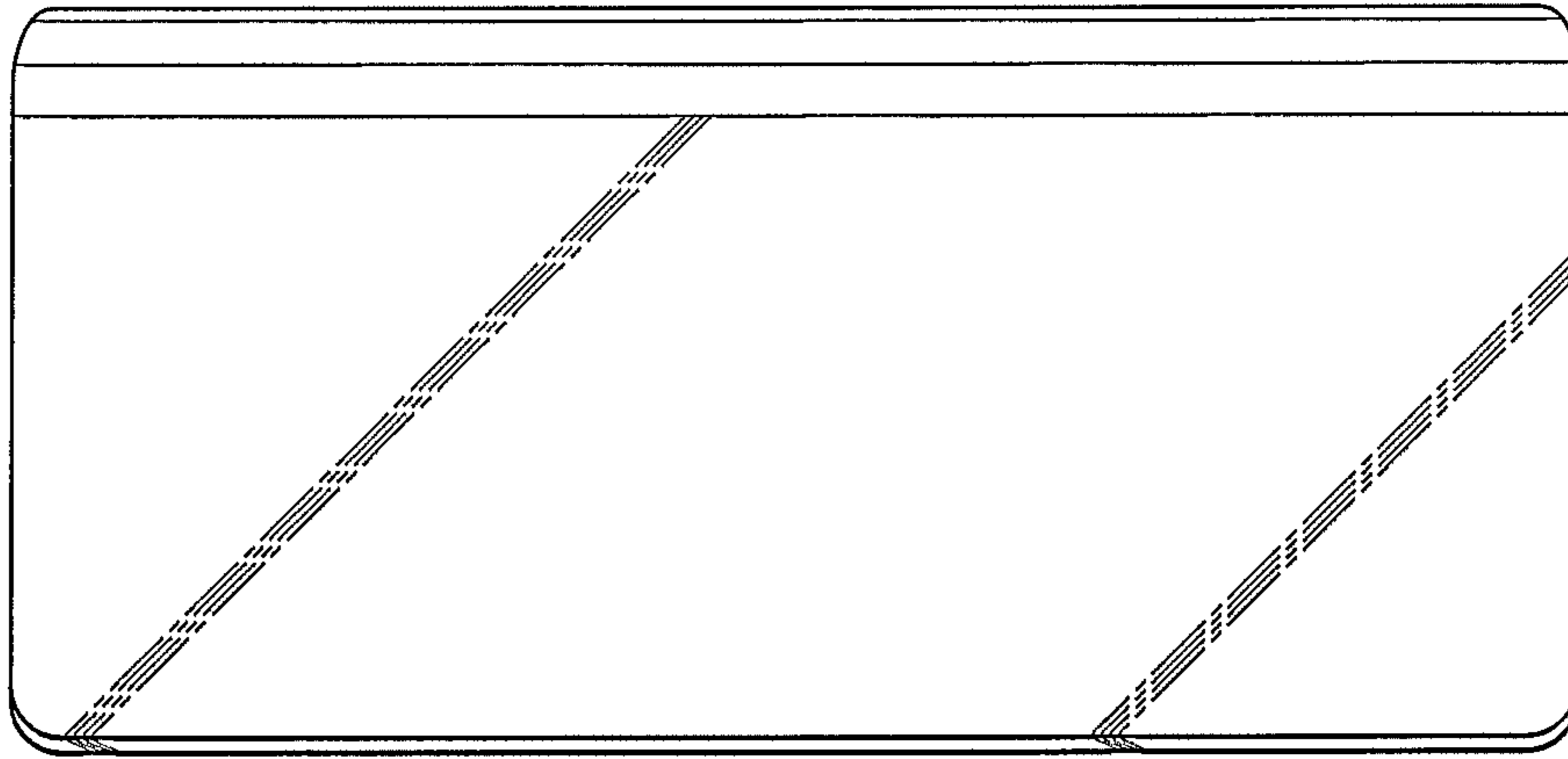


FIG. 2

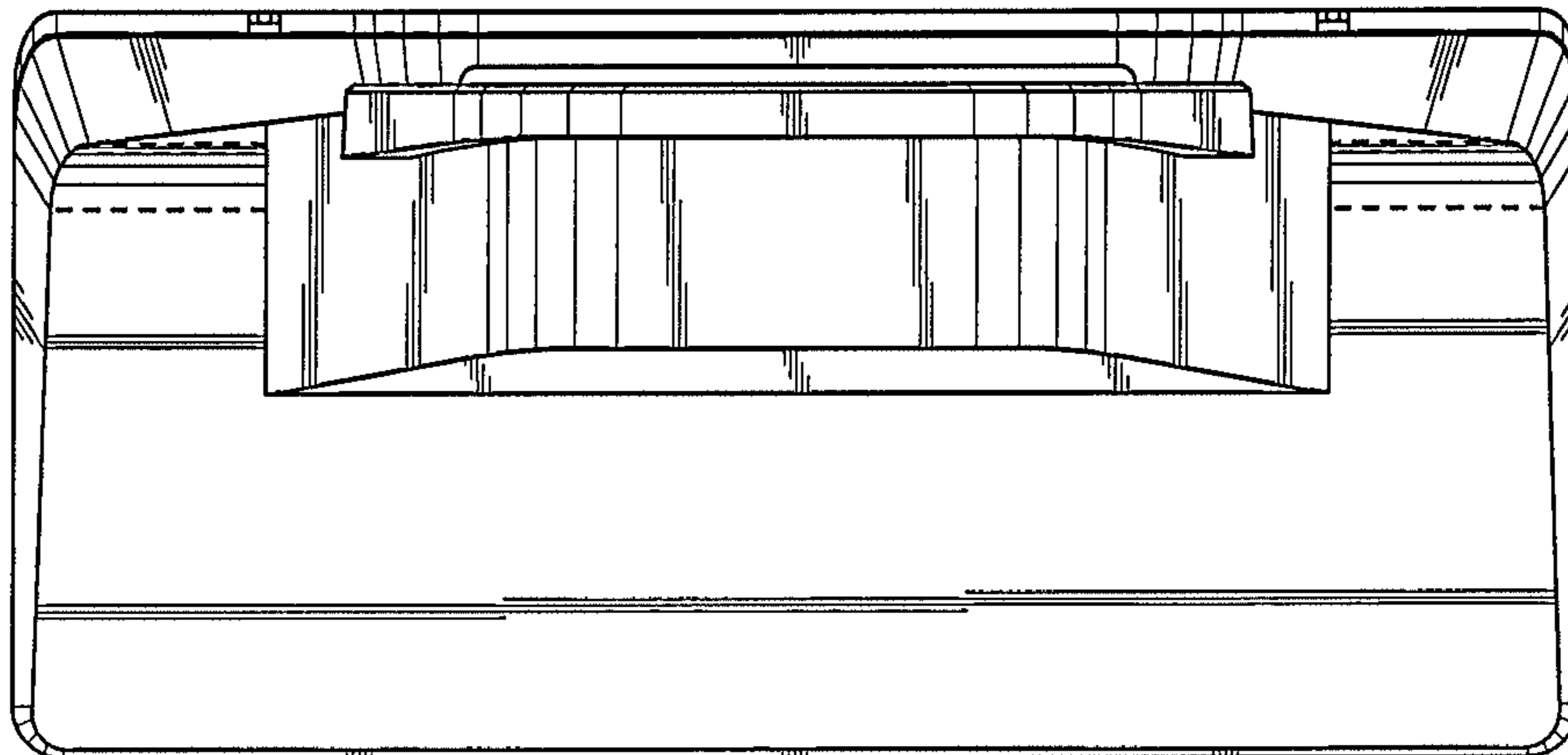


FIG. 3

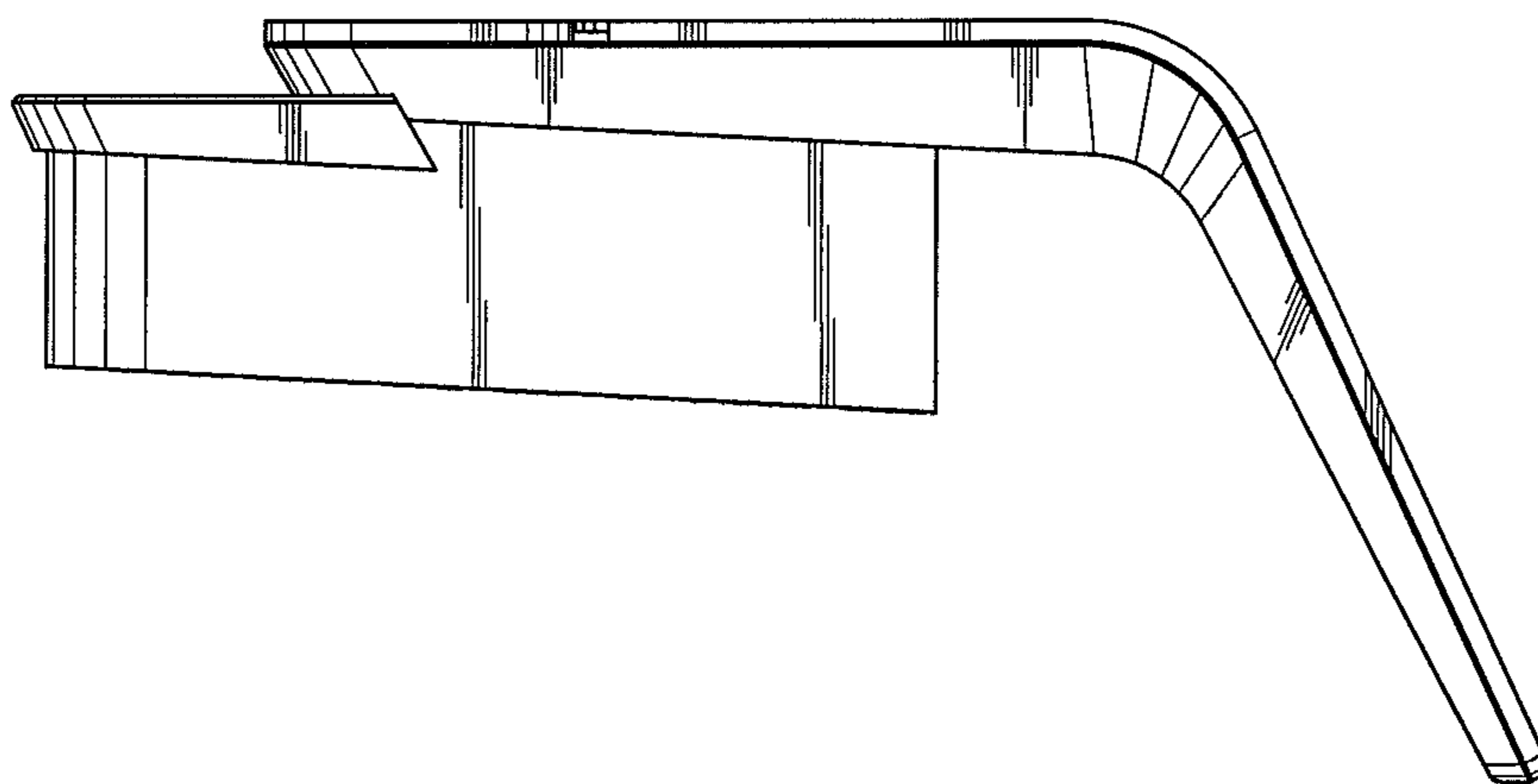


FIG. 4

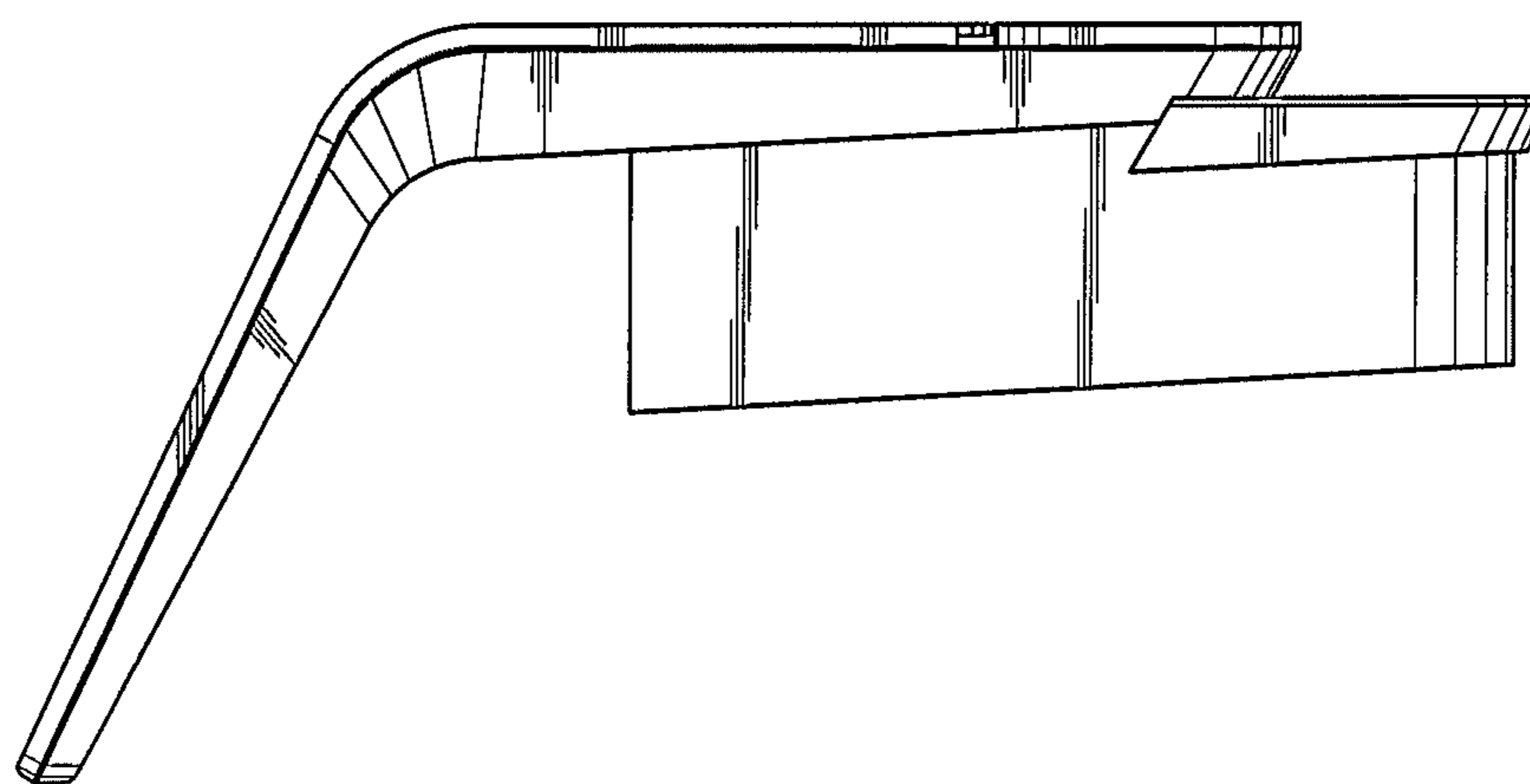


FIG. 5

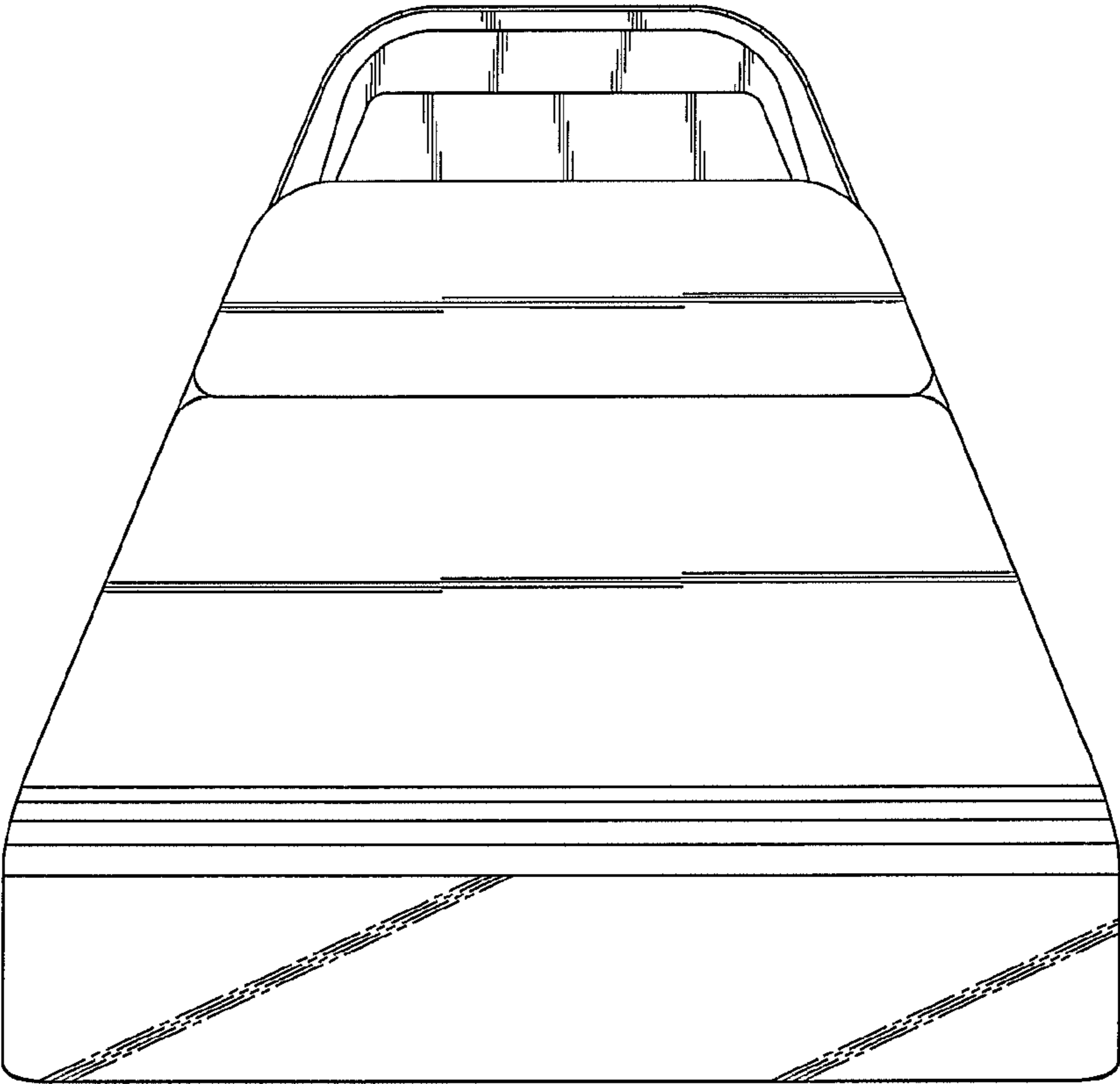


FIG. 6

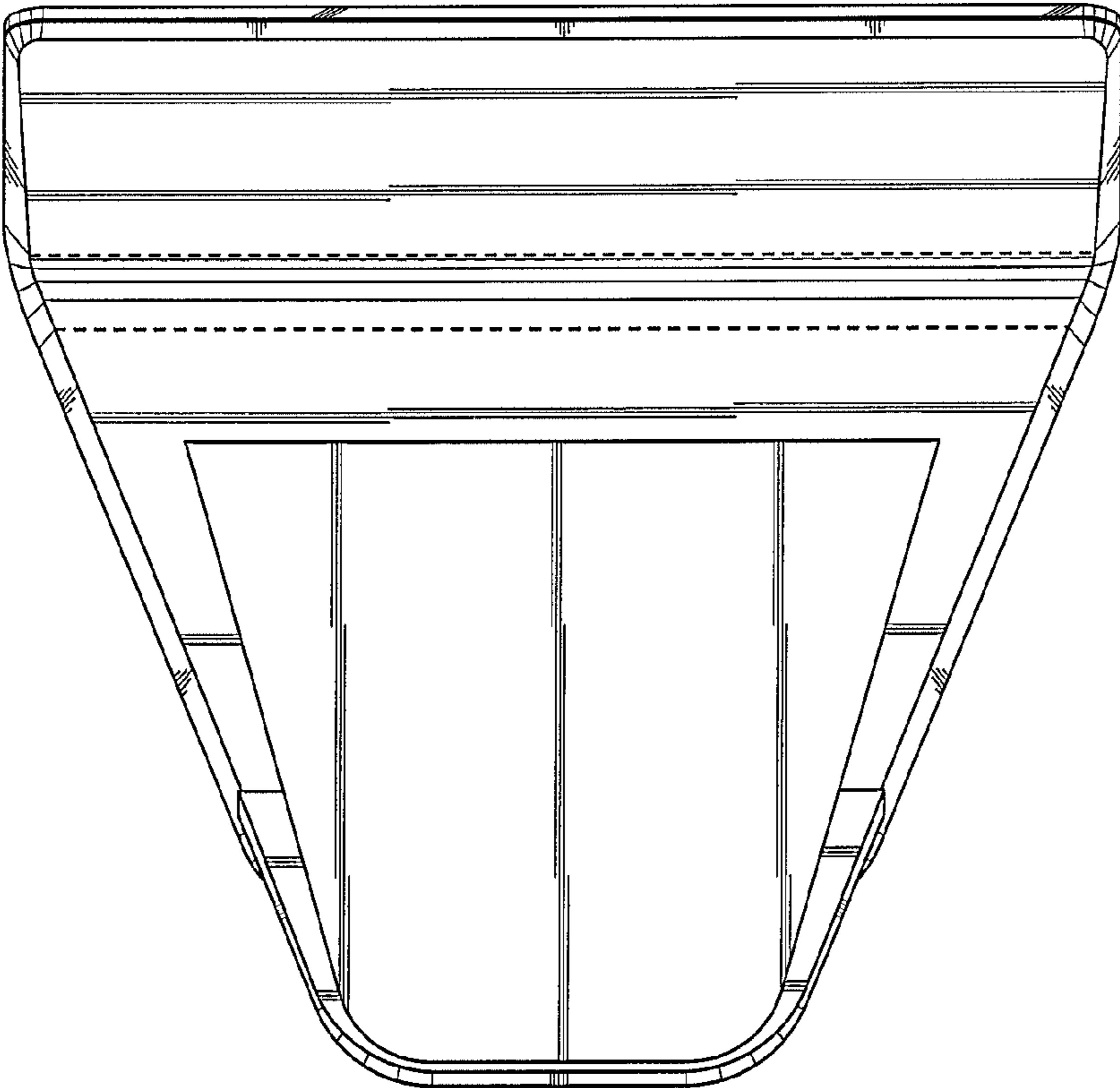


FIG. 7

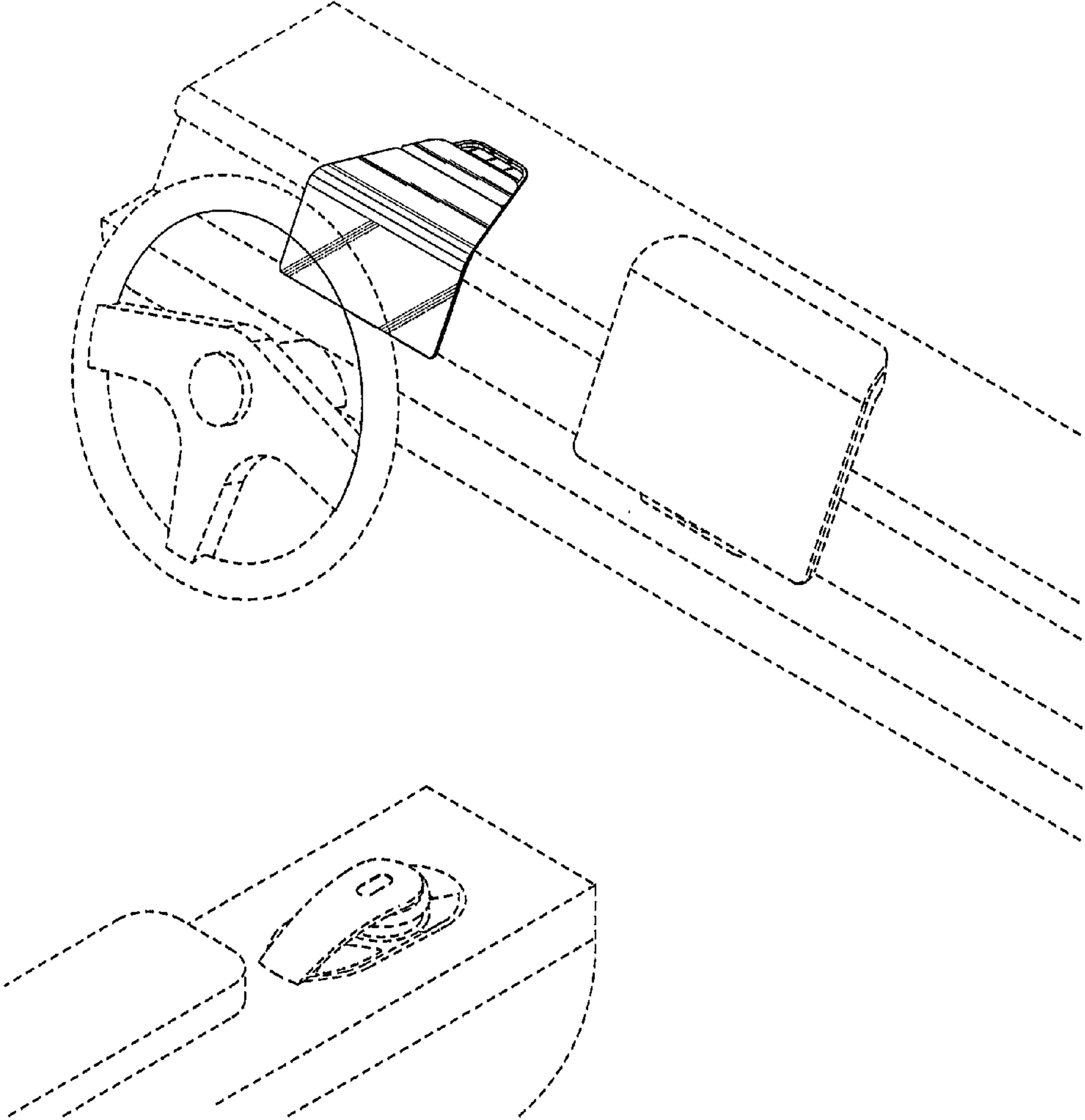


FIG. 8

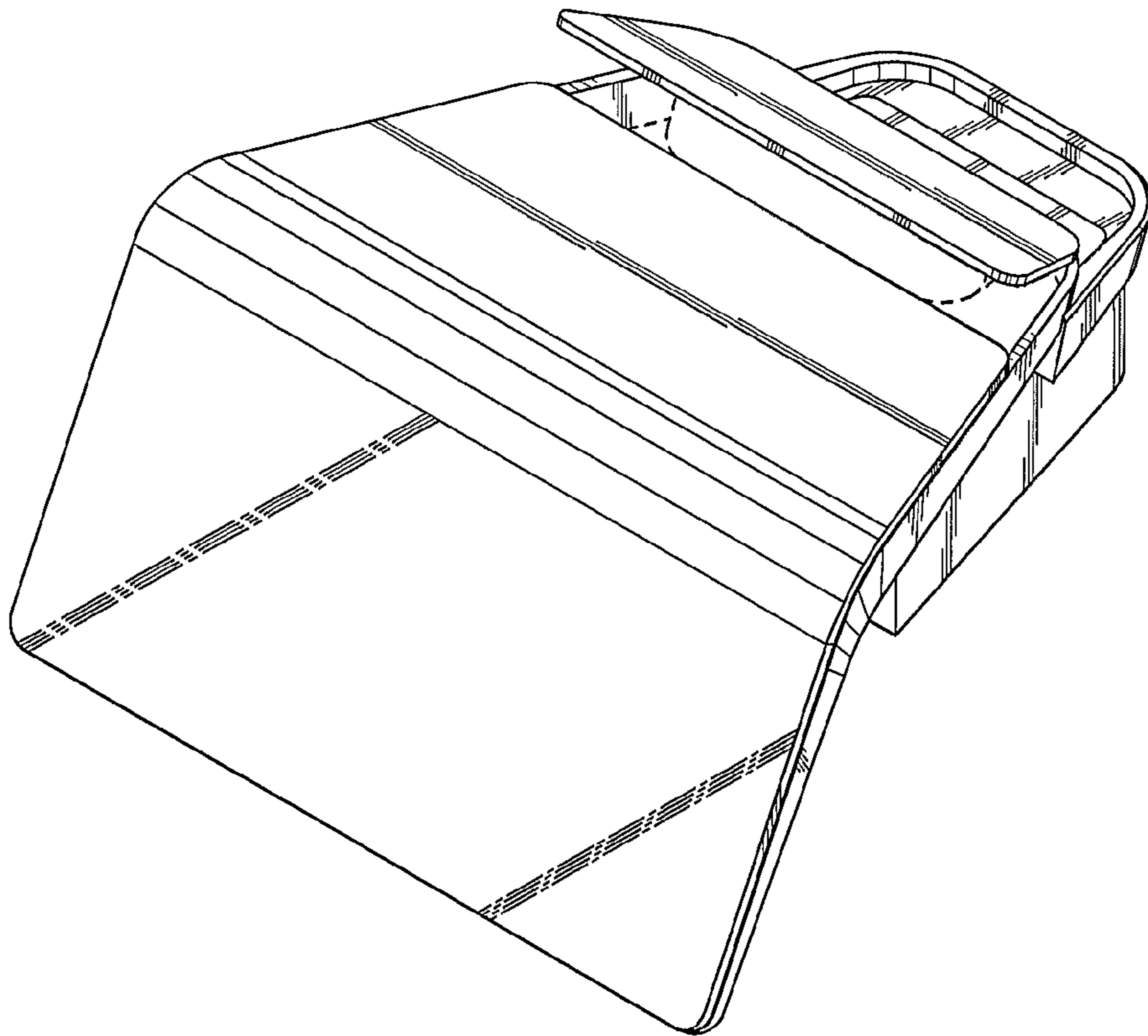


FIG. 9

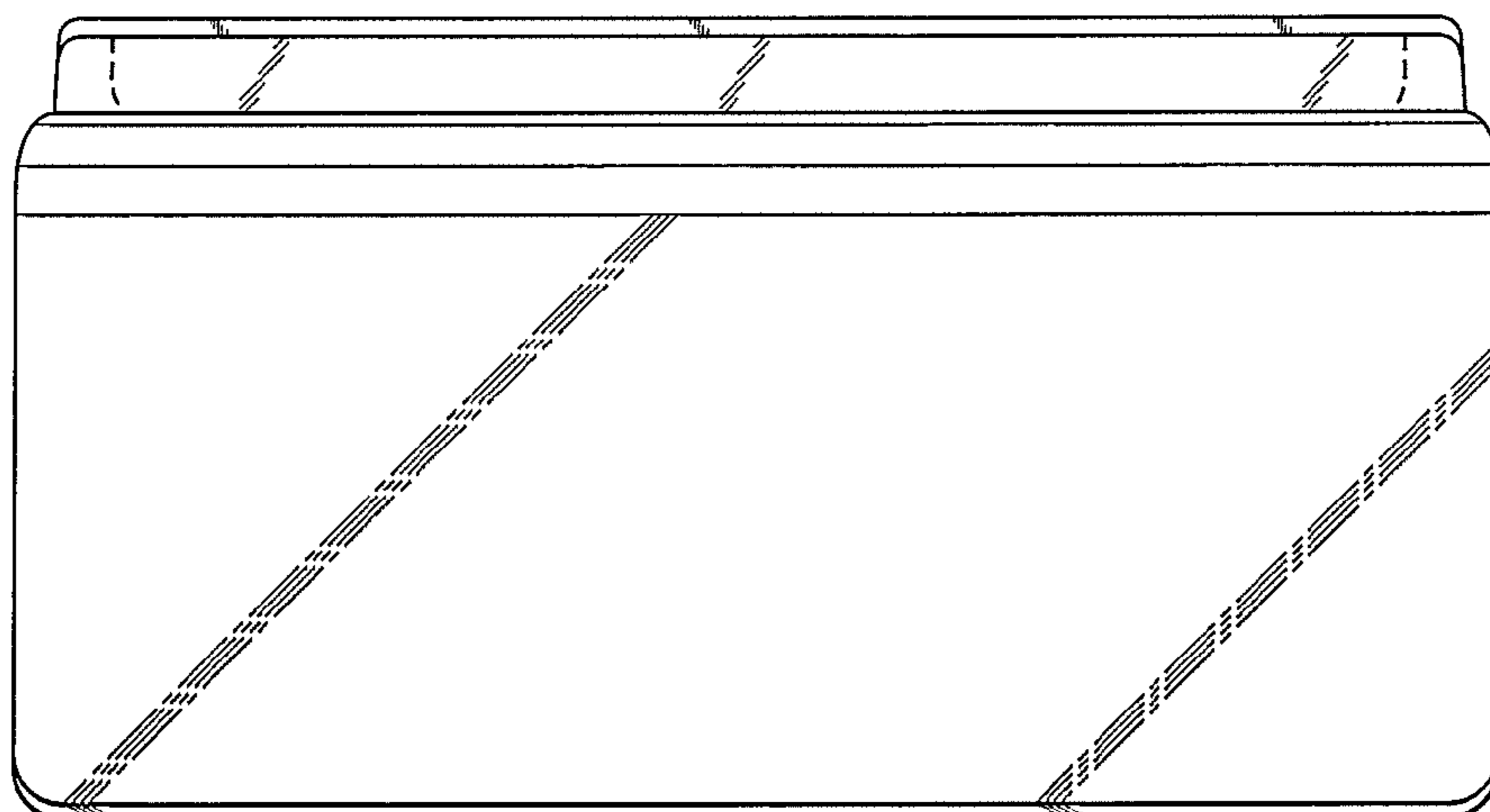


FIG. 10

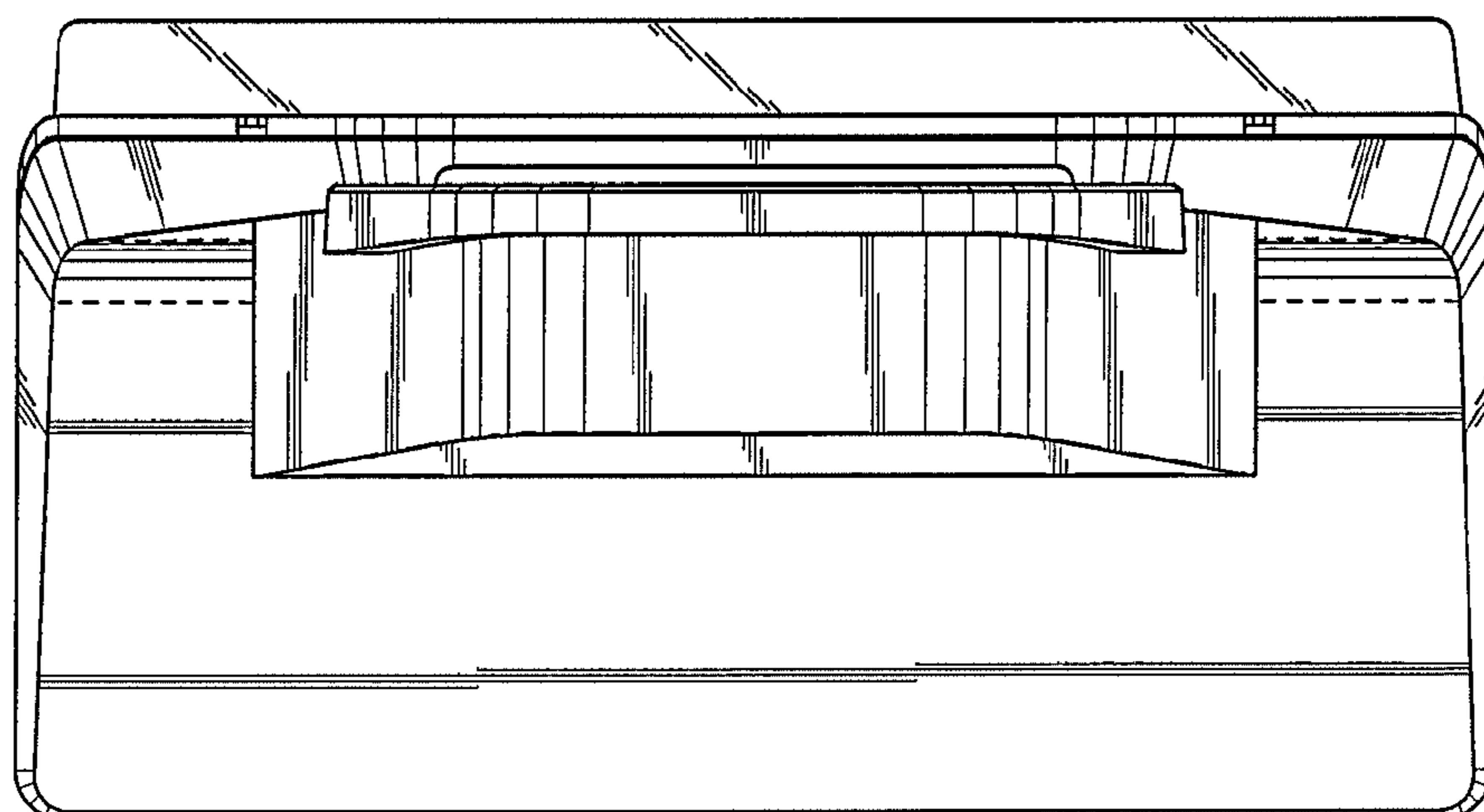


FIG. 11

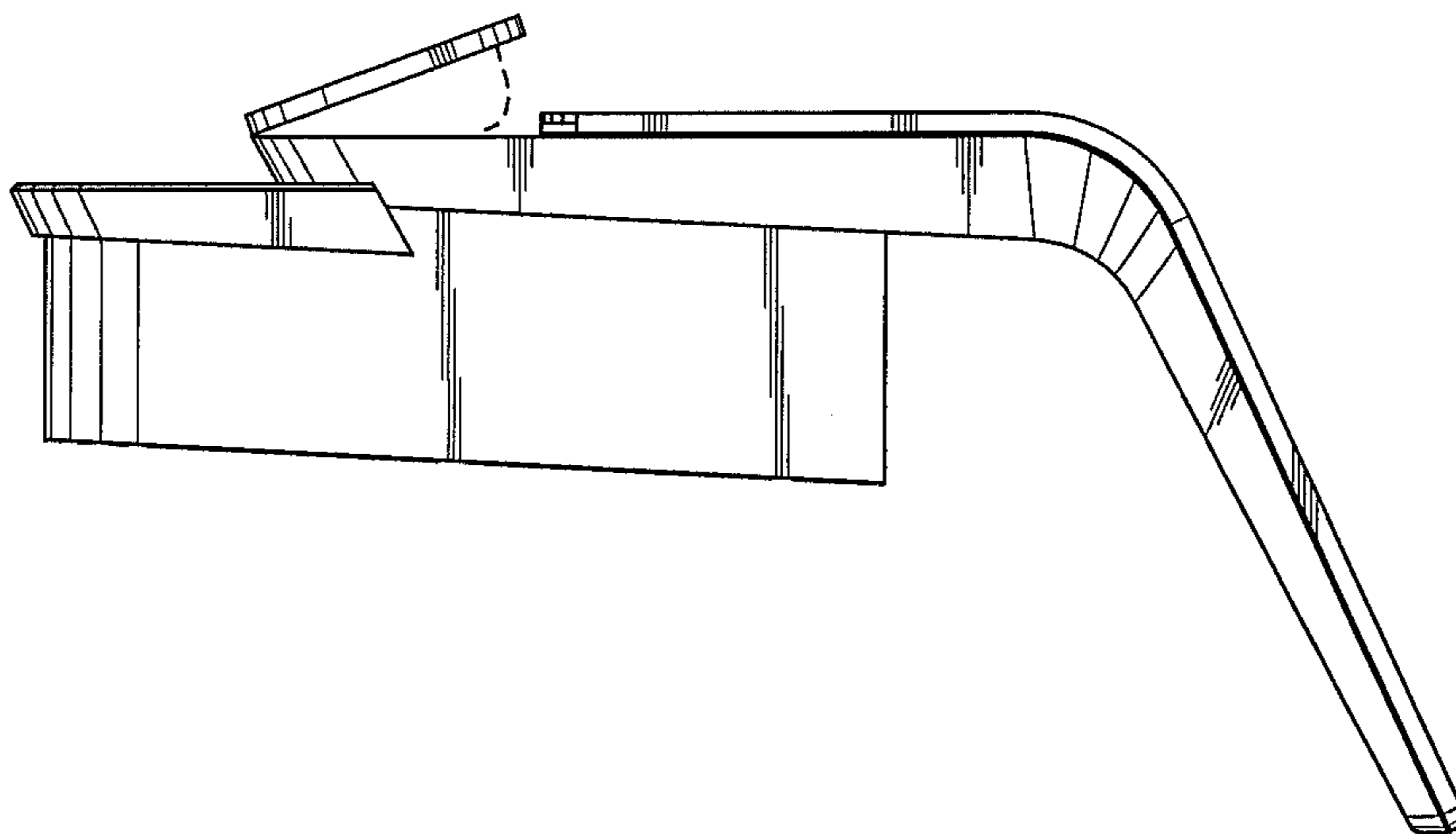


FIG. 12

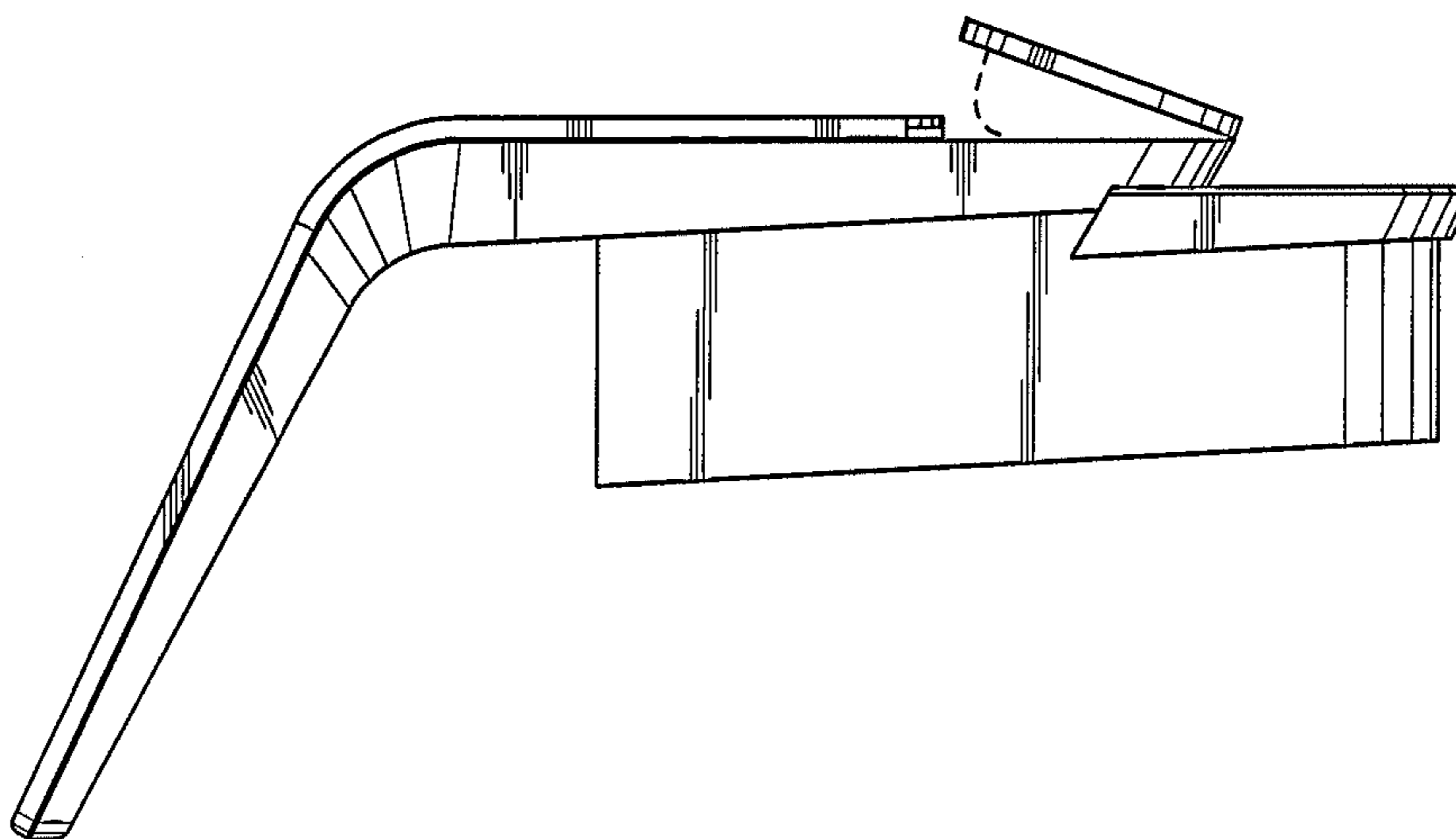


FIG. 13

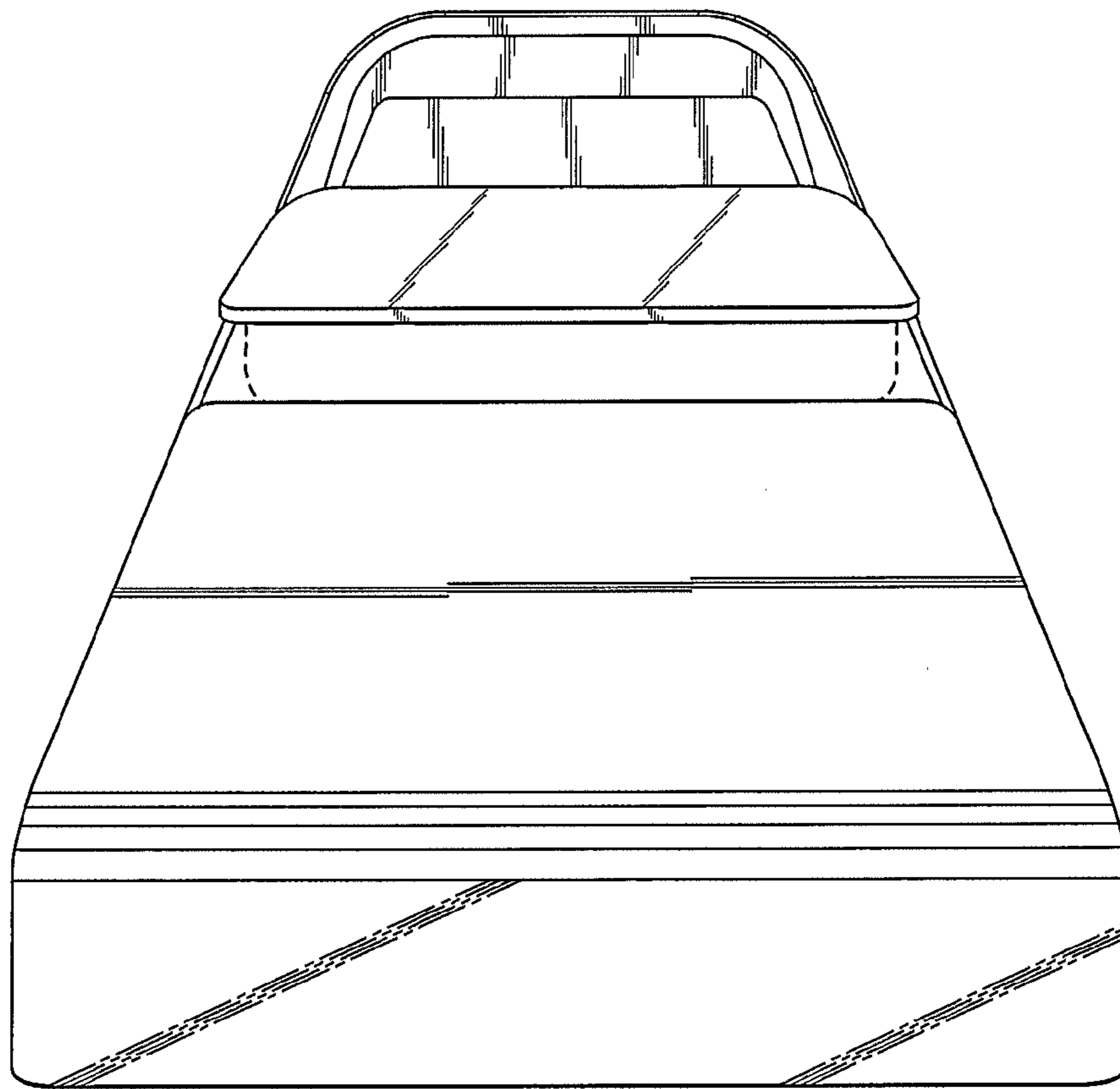


FIG. 14

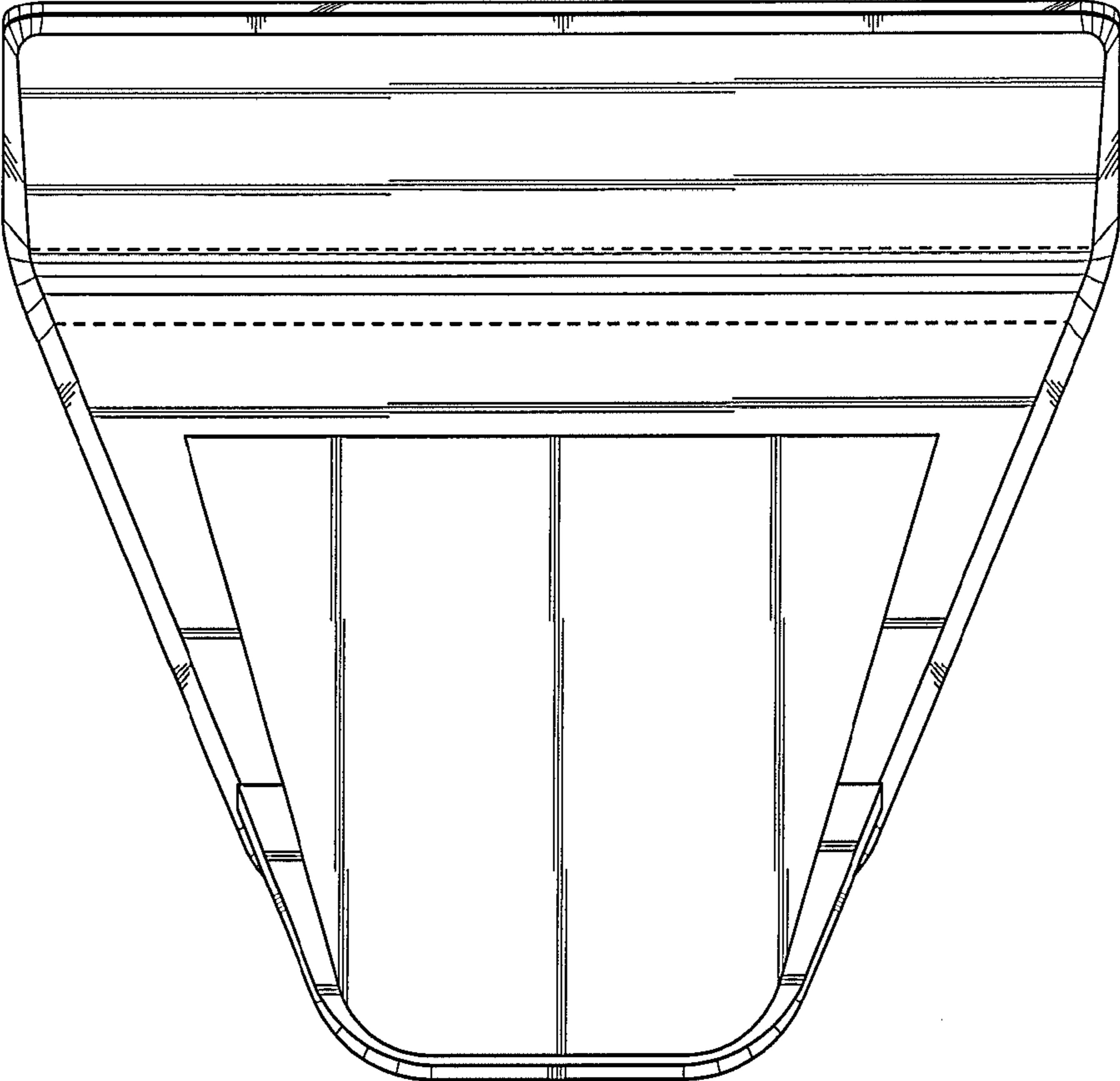


FIG. 15