



US00D697847S

(12) **United States Design Patent**
Waugh et al.

(10) **Patent No.:** **US D697,847 S**
(45) **Date of Patent:** **** Jan. 21, 2014**

(54) **DASHBOARD**

(75) Inventors: **Darren Trevor Waugh**, Victoria (AU);
Warwick John Drenth, Victoria (AU);
Geoff Wells, Victoria (AU); **Blair**
Cooke, Victoria (AU)

(73) Assignee: **Vehicle Development Corporation Pty**
Ltd., Victoria (AU)

(**) Term: **14 Years**

(21) Appl. No.: **29/406,277**

(22) Filed: **Nov. 11, 2011**

(30) **Foreign Application Priority Data**

May 12, 2011 (AU) 201112130

(51) **LOC (10) Cl.** **12-16**

(52) **U.S. Cl.**
USPC **D12/192**

(58) **Field of Classification Search**
USPC D12/192, 415, 110, 114; 180/90;
280/750-752; 296/190.01-190.09,
296/191, 70; D15/17, 28; D10/46, 98,
D10/102-103, 122-127
See application file for complete search history.

(56) **References Cited**

U.S. PATENT DOCUMENTS

D449,263 S * 10/2001 Yamazaki et al. D12/192
D469,391 S * 1/2003 Pfeiffer et al. D12/192
D470,809 S * 2/2003 Asahi et al. D12/192

D489,301 S * 5/2004 Okonkwo D12/192
D501,811 S * 2/2005 Fukuda et al. D12/192
D519,894 S * 5/2006 Asahi et al. D12/192
D533,492 S * 12/2006 Maezono et al. D12/192
D534,357 S * 1/2007 Davis D5/47
D539,714 S * 4/2007 Toyama et al. D12/192
D563,299 S * 3/2008 Mizuhata et al. D12/192
D569,317 S * 5/2008 Schowalter D12/192
D577,642 S * 9/2008 Kitajima et al. D12/192
D596,096 S * 7/2009 Mori D12/192
D598,353 S * 8/2009 Dai et al. D12/192
D622,195 S * 8/2010 Lester D12/192
D637,540 S * 5/2011 Ali et al. D12/192
D642,505 S * 8/2011 Nakajima et al. D12/192
D658,554 S * 5/2012 Tasaki et al. D12/192
2009/0008956 A1 * 1/2009 Scheib et al. 296/70

* cited by examiner

Primary Examiner — Katrina A Betton

(74) *Attorney, Agent, or Firm* — Allen, Dyer, Doppelt,
Milbrath & Gilchrist, P.A.

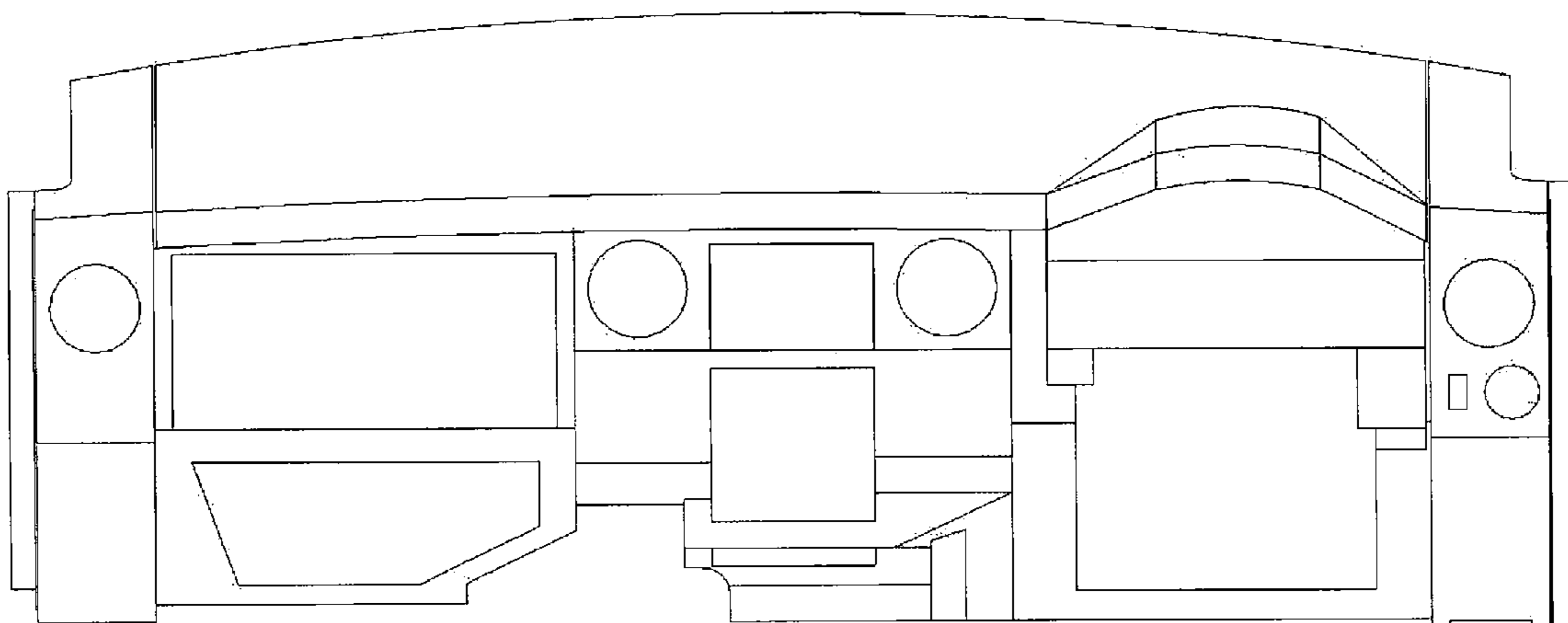
(57) **CLAIM**

It is claimed the ornamental design for the dashboard, as
shown and described in the accompanying figures.

DESCRIPTION

FIG. 1 is a front, isometric view of the dashboard according to
the present design;
FIG. 2 is a top view of the dashboard of FIG. 1;
FIG. 3 is a right side view of the dashboard of FIG. 1;
FIG. 4 is a left side view of the dashboard of FIG. 1;
FIG. 5 is a front view of the dashboard of FIG. 1;
FIG. 6 is a rear view of the dashboard of FIG. 1; and,
FIG. 7 is a bottom view of the dashboard of FIG. 1.

1 Claim, 7 Drawing Sheets



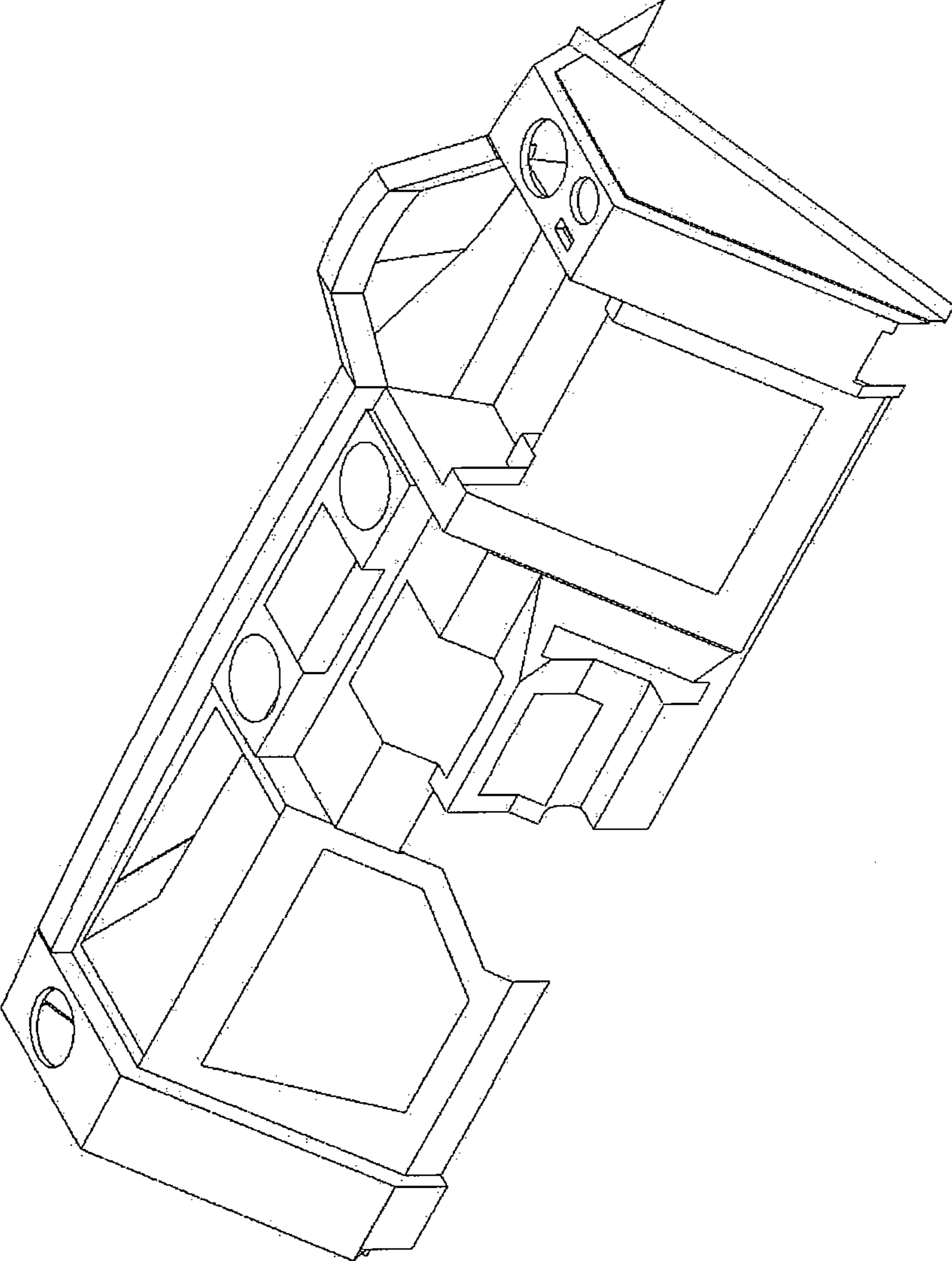


FIG. 1

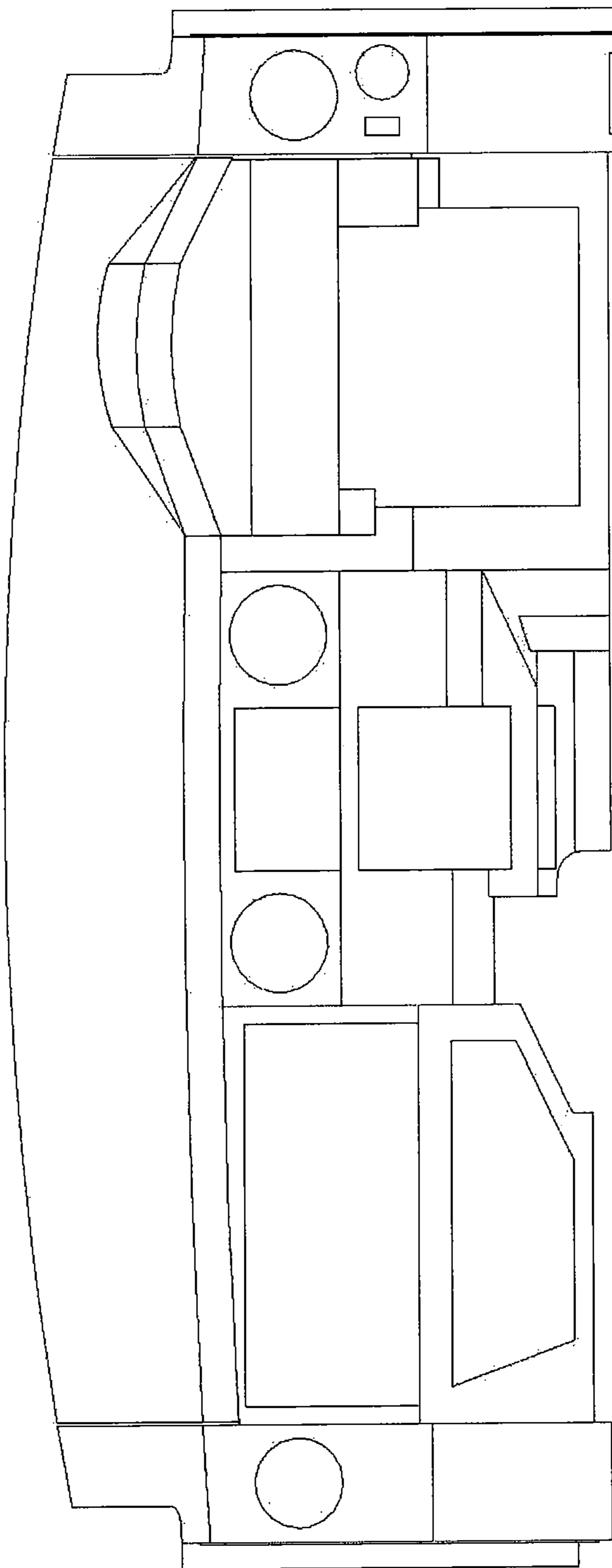


FIG. 2

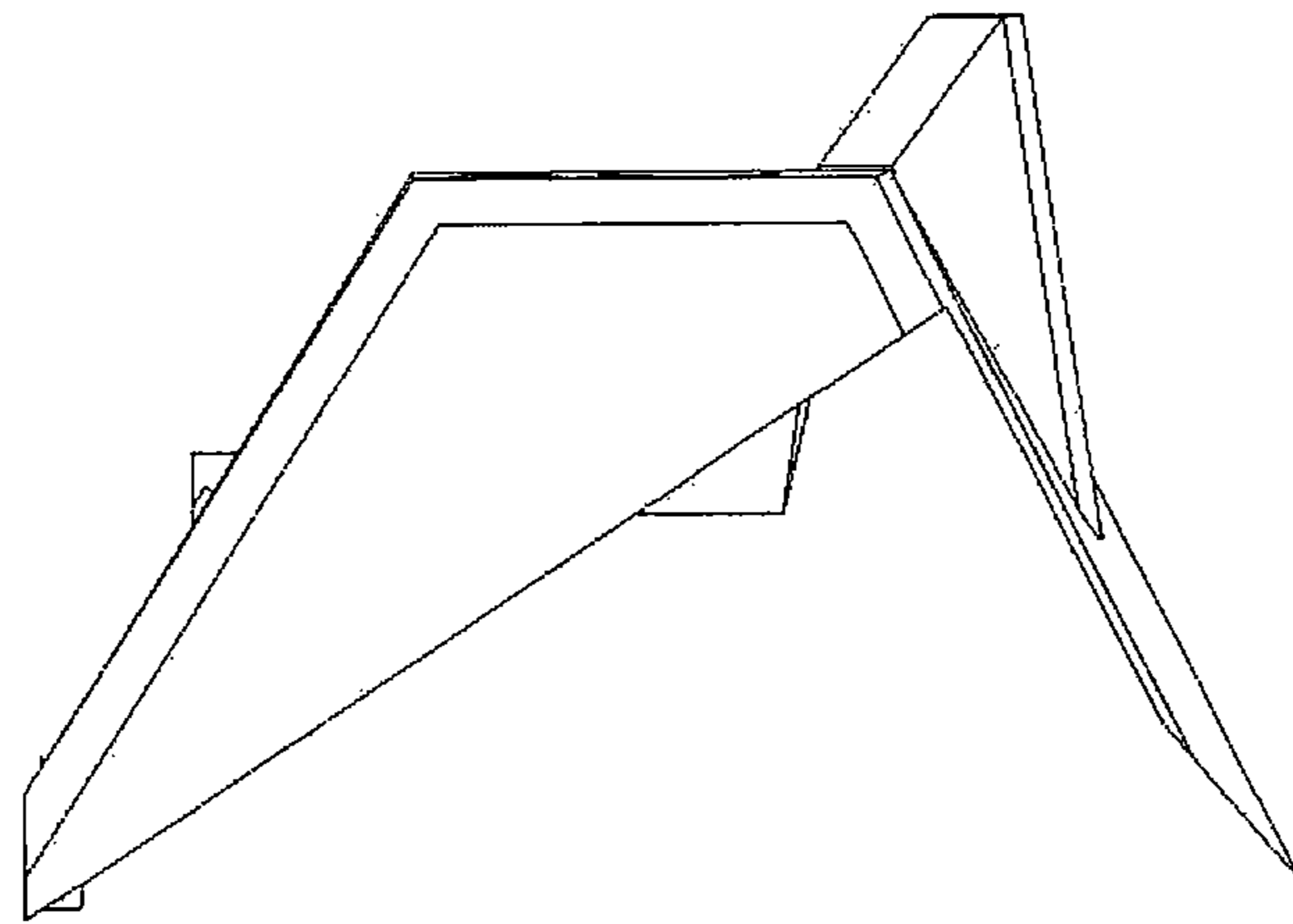


FIG. 3

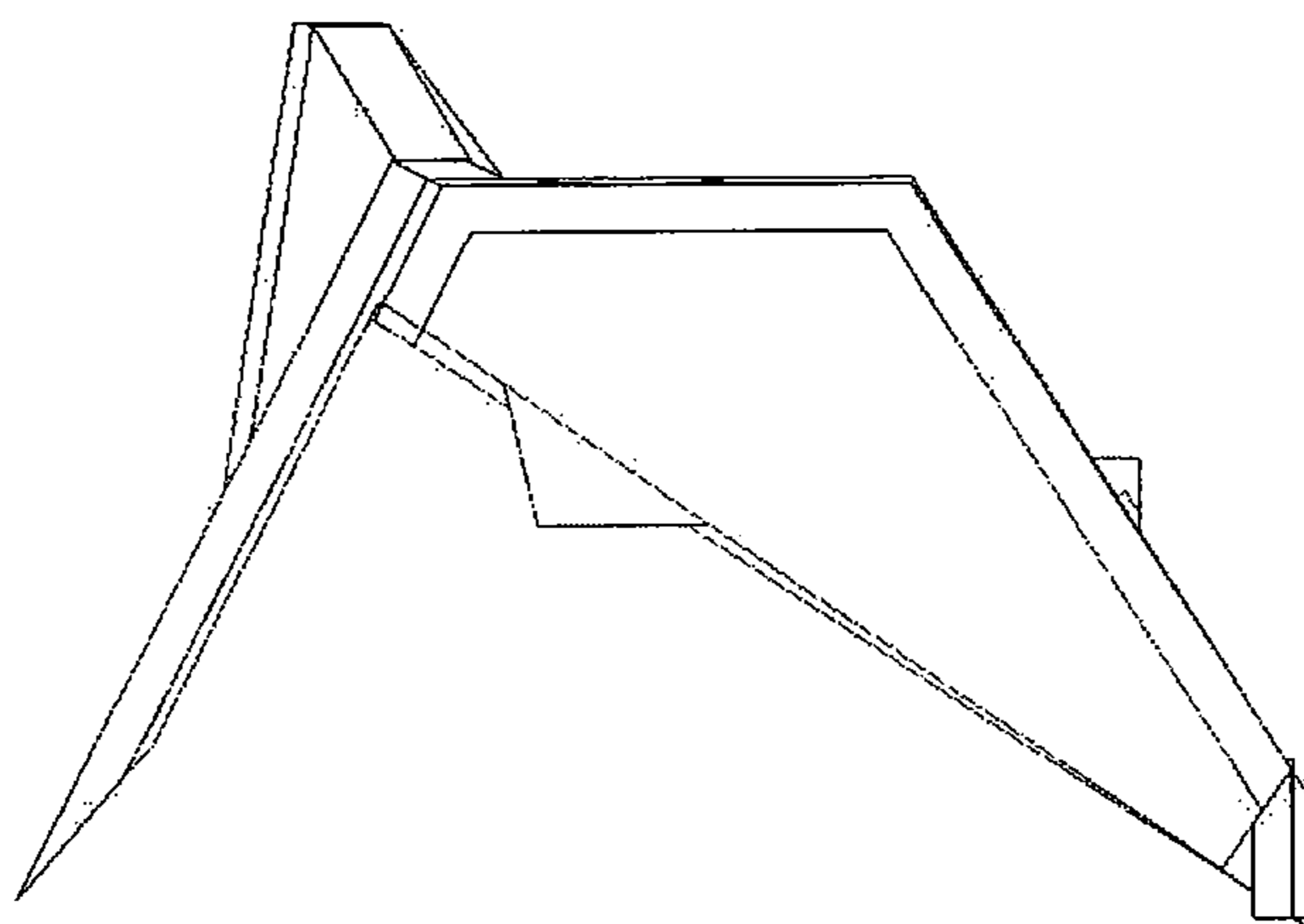


FIG. 4

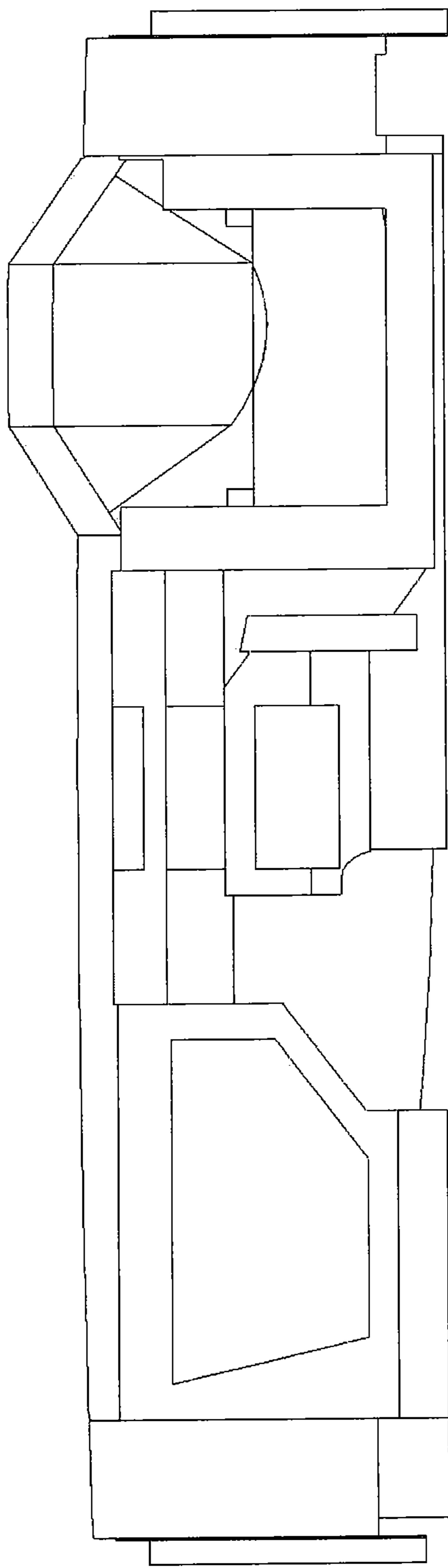


FIG. 5

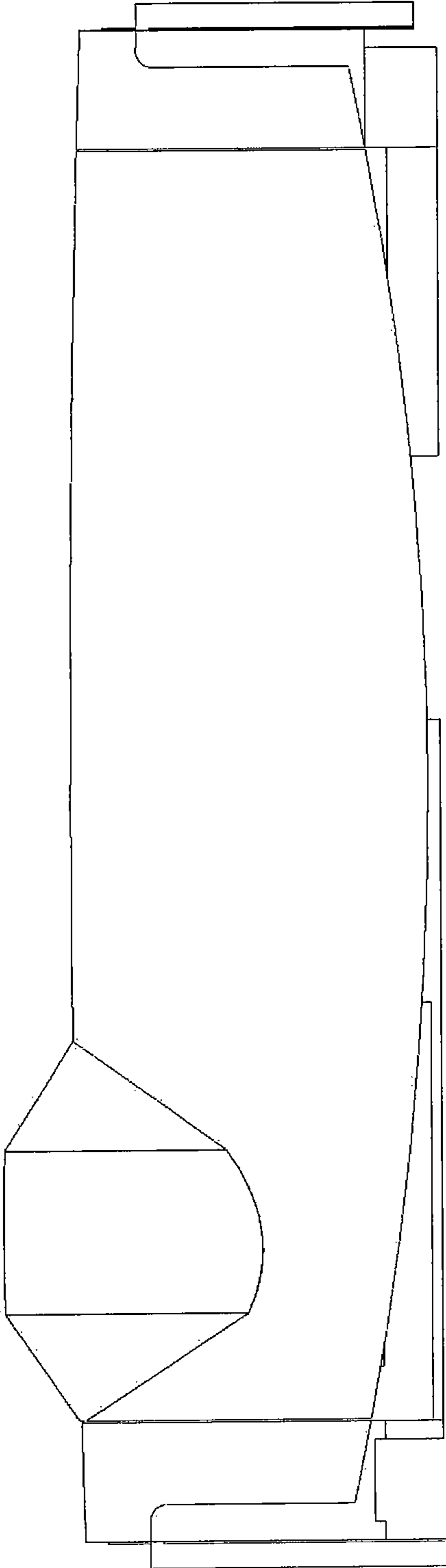


FIG. 6

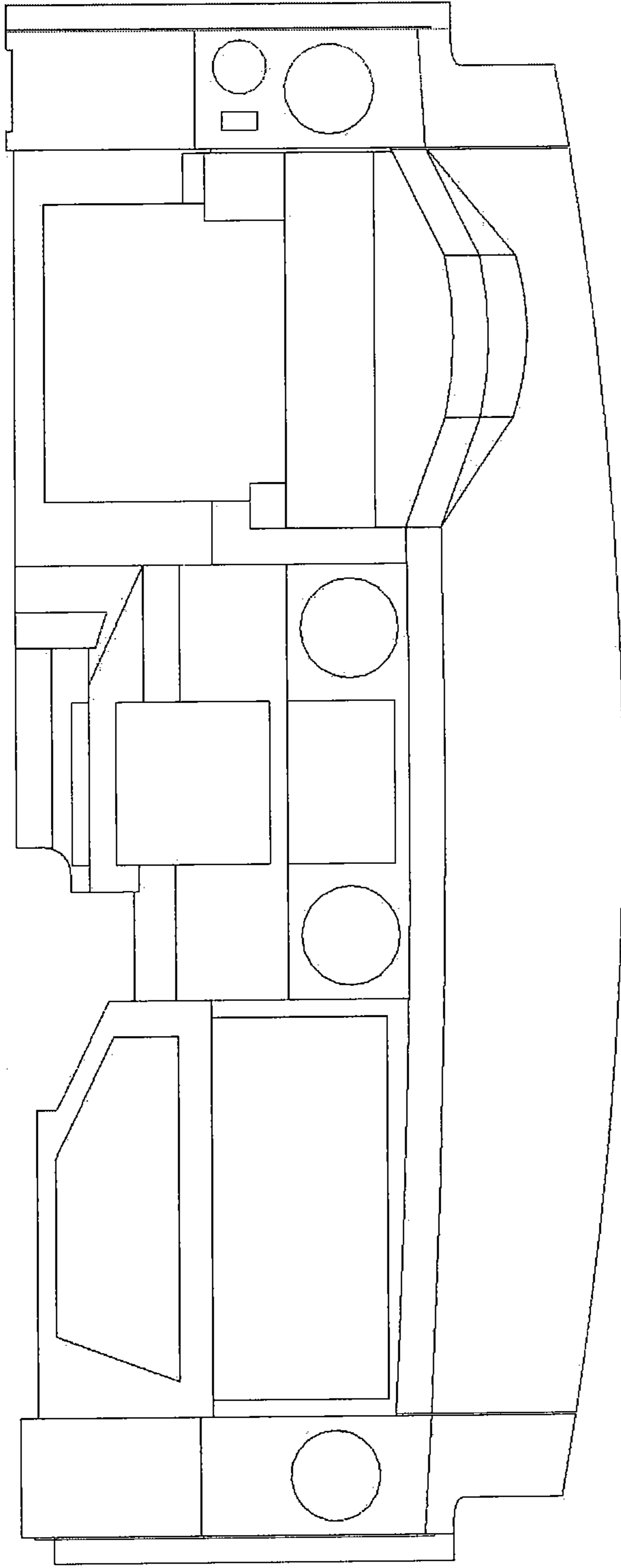


FIG. 7