



US00D697843S

(12) **United States Design Patent**
Suga et al.

(10) **Patent No.:** **US D697,843 S**
(45) **Date of Patent:** **** Jan. 21, 2014**

- (54) **FENDER FOR AN AUTOMOBILE**
- (75) Inventors: **Koichi Suga**, Toyota (JP); **Kenichi Hirai**, Toyota (JP); **Ken Billes**, Antibes (FR); **Jun Takahashi**, Susono (JP)
- (73) Assignee: **Toyota Jidosha Kabushiki Kaisha** (JP)
- (**) Term: **14 Years**
- (21) Appl. No.: **29/425,604**
- (22) Filed: **Jun. 25, 2012**
- (51) **LOC (10) Cl.** **12-16**
- (52) **U.S. Cl.**
USPC **D12/184**
- (58) **Field of Classification Search**
USPC D12/184, 196, 90-92, 181; 280/152.1, 280/847-849, 851; 296/181.1, 181.5
See application file for complete search history.

(56) **References Cited**

U.S. PATENT DOCUMENTS

D660,214 S *	5/2012	Cartabiano et al.	D12/184
D672,295 S *	12/2012	Yamada et al.	D12/184
D679,230 S *	4/2013	Aikawa et al.	D12/184
D681,523 S *	5/2013	Messale	D12/184
D682,171 S *	5/2013	Fuchigami et al.	D12/184
D683,679 S *	6/2013	Platto et al.	D12/184

OTHER PUBLICATIONS

Citroen, Citroen 4, NetCarShow.com, http://www.netcarshow.com/citroen/2011-c4/800x600/wallpaper_2b.htm, available at least as early as Jun. 25, 2011.
Mazda, Mazda 3, NetCarShow.com, http://www.netcarshow.com/mazda/2010-3_i-stop/800x600/wallpaper_04.htm, available at least as early as Jun. 25, 2011.
Renault, Renault Megane, NetCarShow.com, http://www.netcarshow.com/renault/2009-megane/800x600/wallpaper_od.htm, available at least as early as Jun. 25, 2011.

* cited by examiner

Primary Examiner — Melody Brown

(74) *Attorney, Agent, or Firm* — SAIDMAN DesignLaw Group

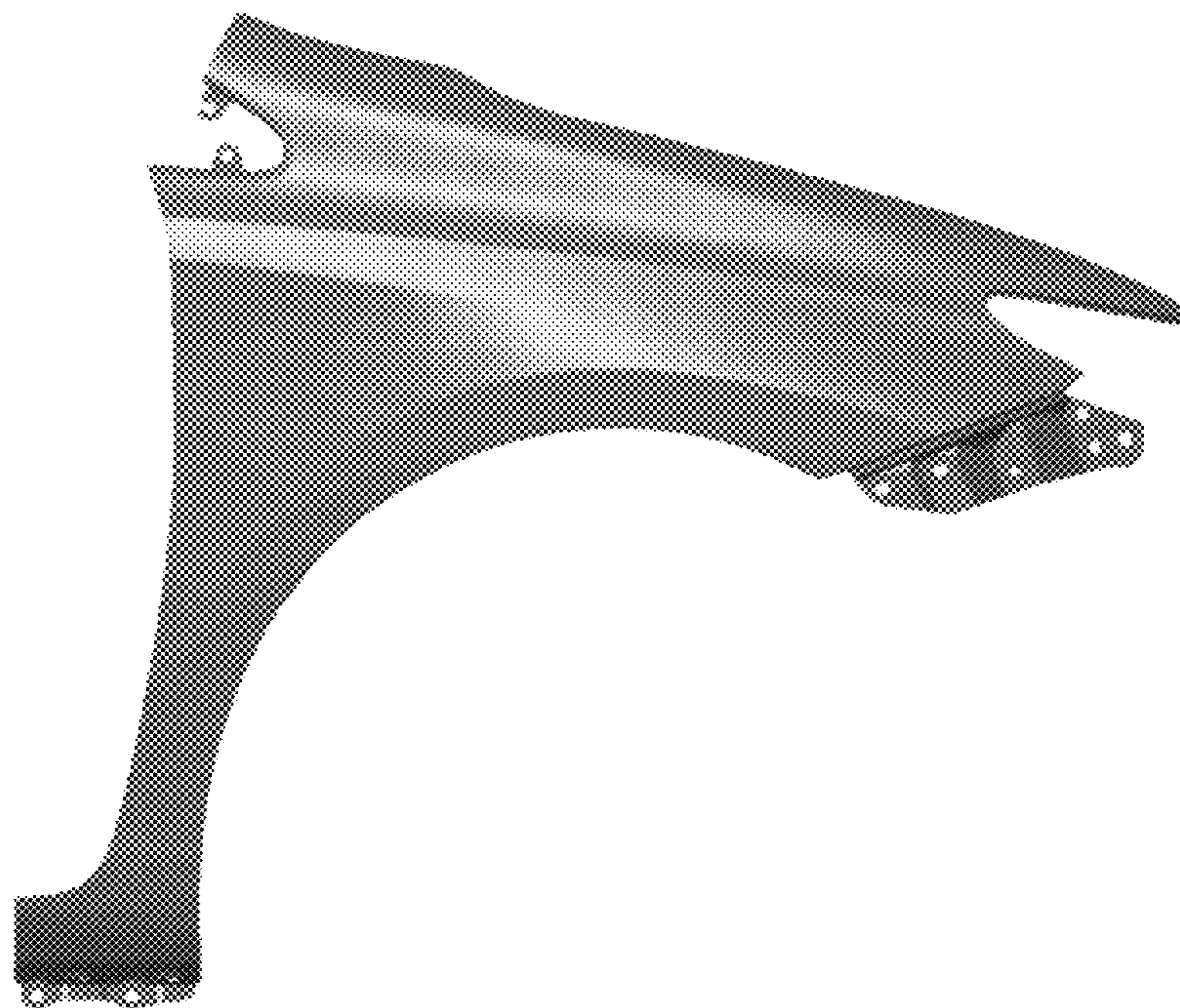
(57) **CLAIM**

The ornamental design for a fender for an automobile, as shown and described.

DESCRIPTION

FIG. 1 is a front, perspective view of a fender for an automobile showing our new design;
FIG. 2 is a rear, perspective view thereof;
FIG. 3 is a front view thereof;
FIG. 4 is a rear view thereof;
FIG. 5 is a top view thereof;
FIG. 6 is a bottom view thereof;
FIG. 7 is a right side view thereof; and,
FIG. 8 is a left side view thereof.

1 Claim, 4 Drawing Sheets



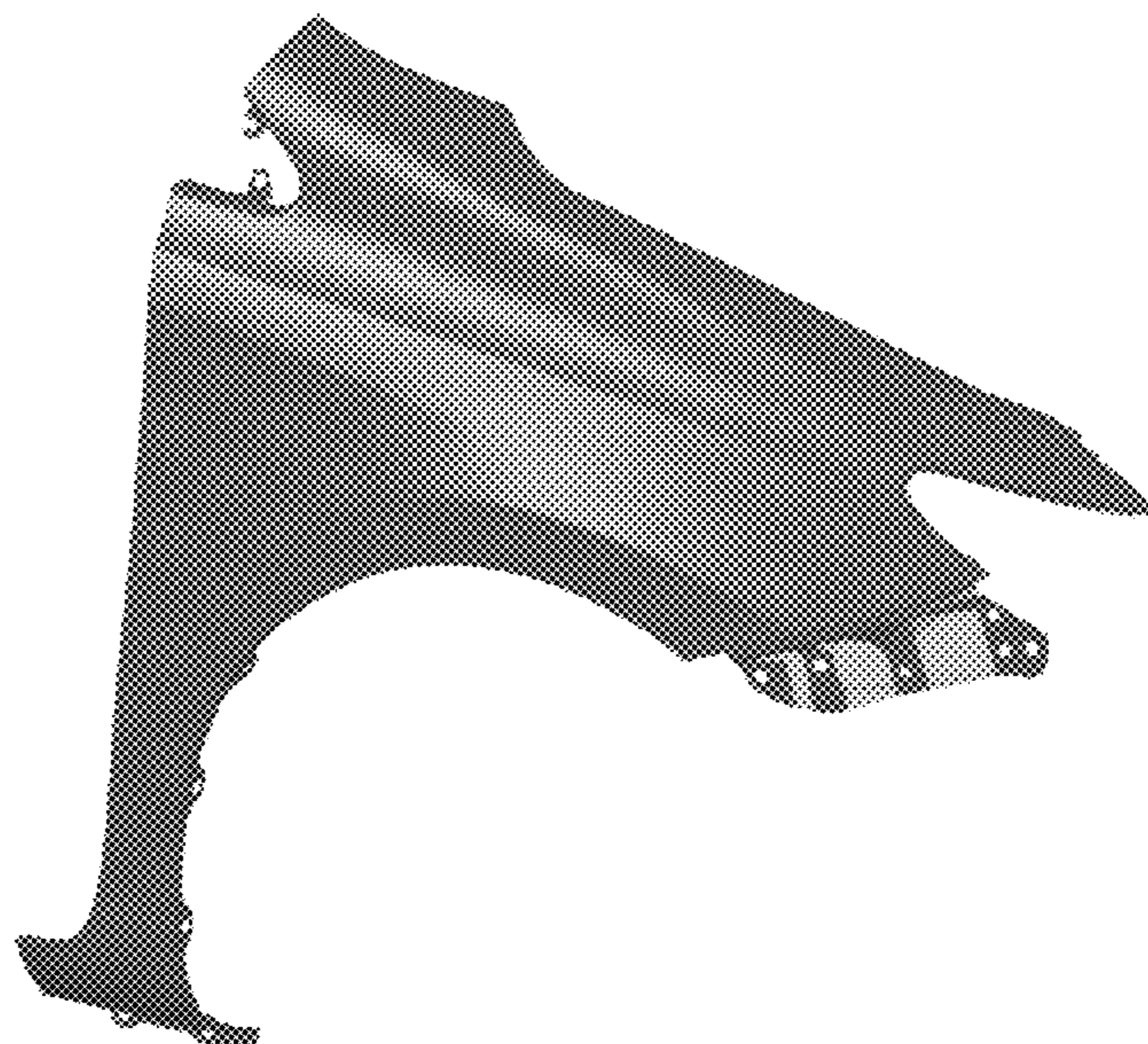


FIG. 1

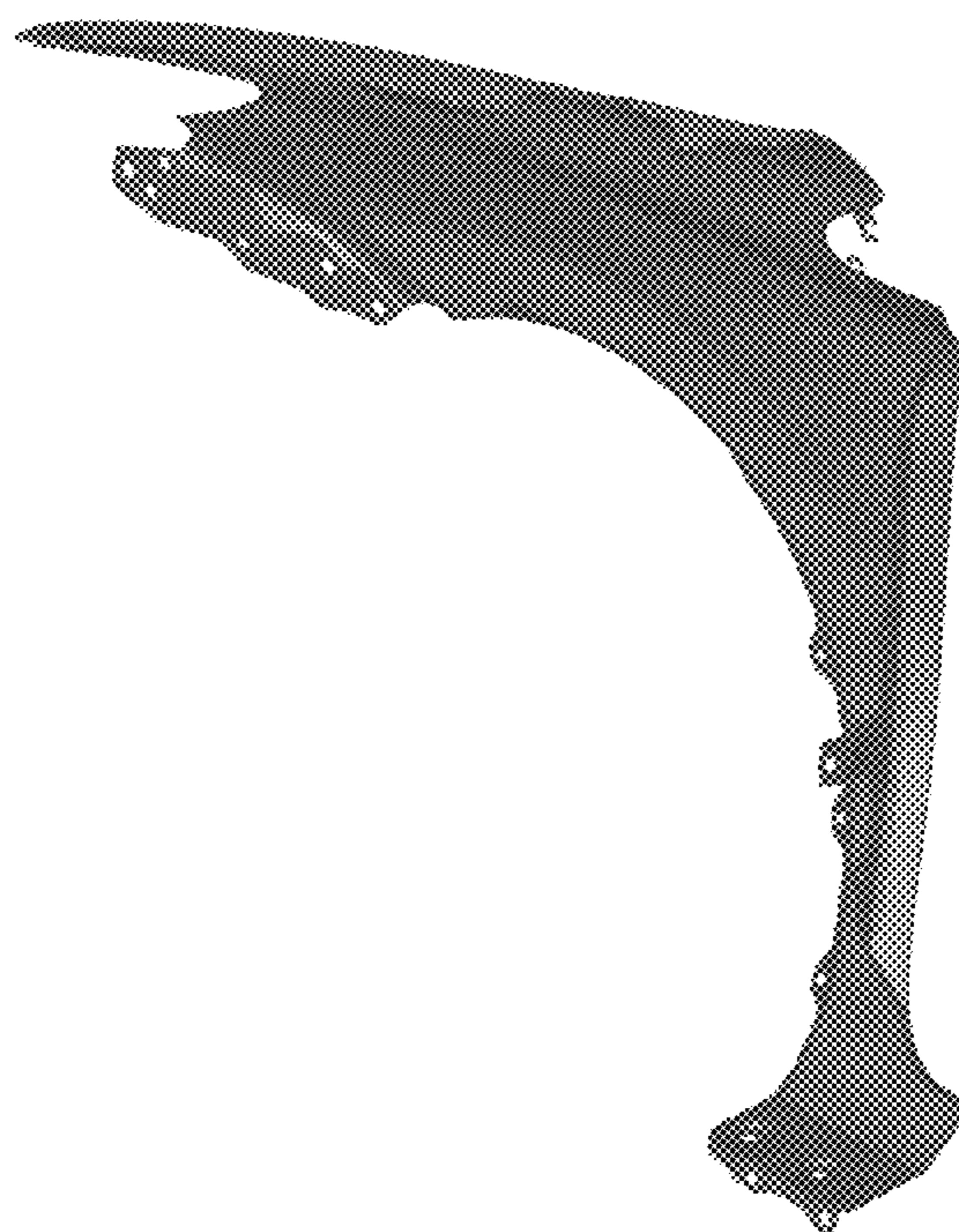


FIG. 2

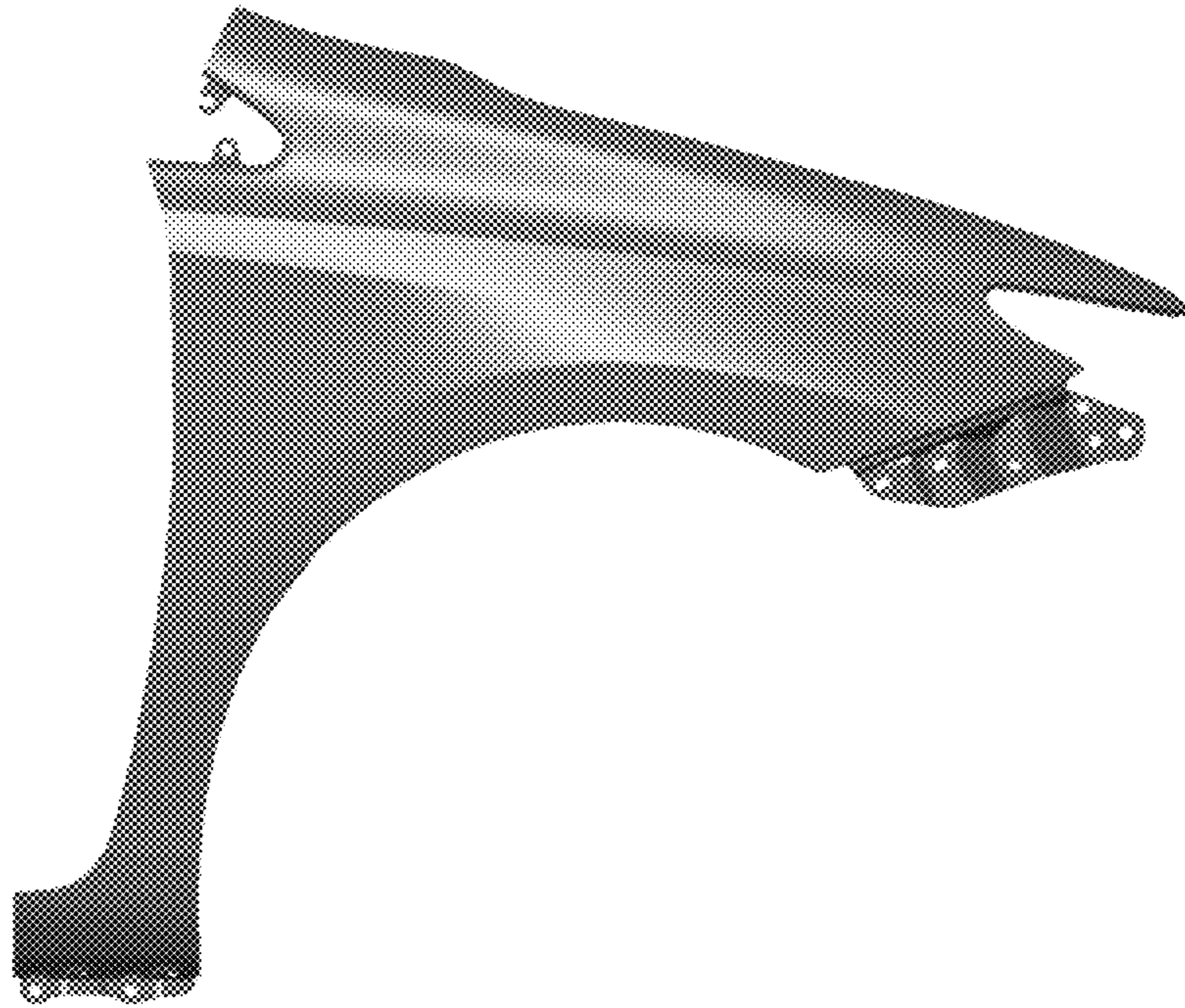


FIG. 3

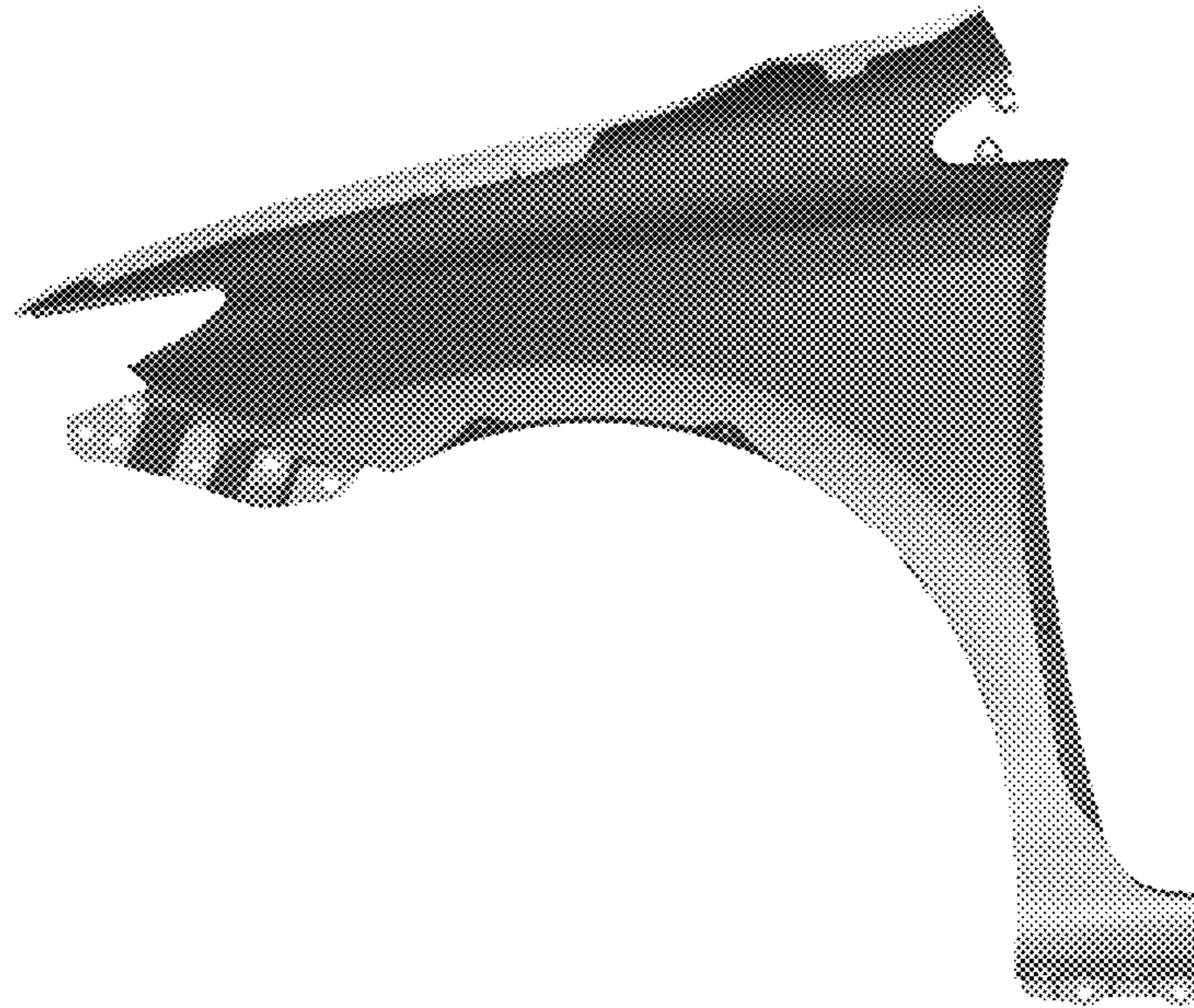


FIG. 4

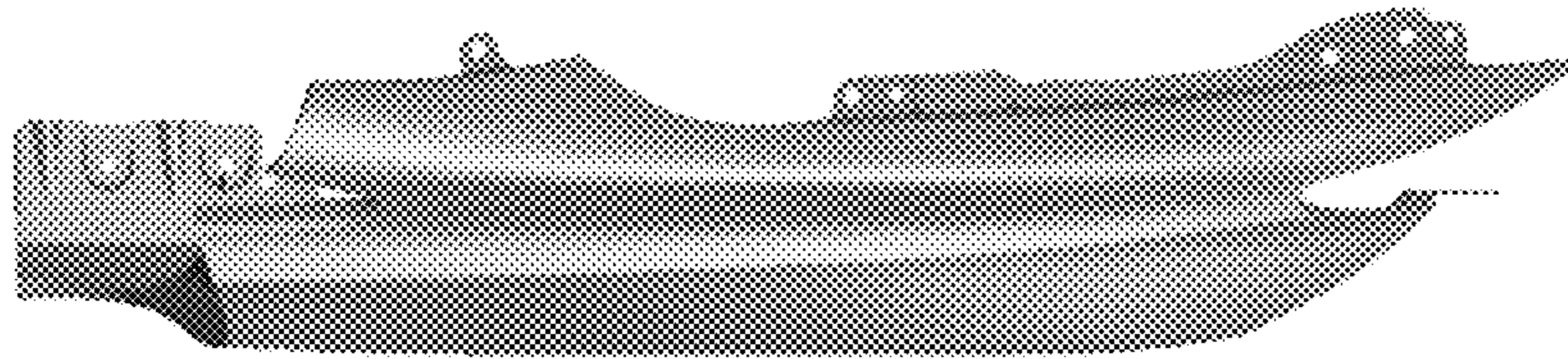


FIG. 5

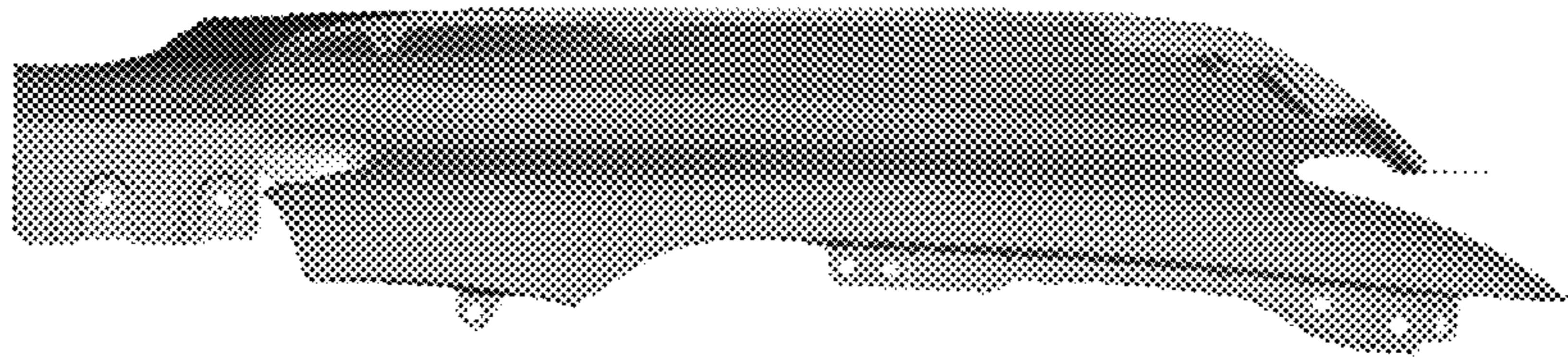


FIG. 6

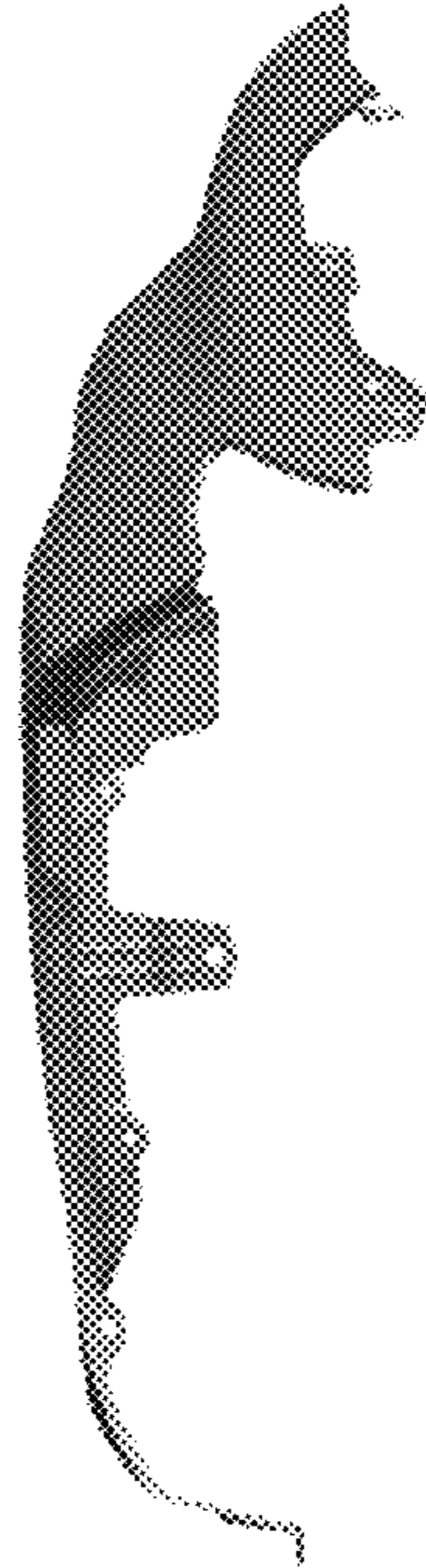


FIG. 7



FIG. 8