

US00D697842S

(12) **United States Design Patent**
Harriton

(10) **Patent No.:** **US D697,842 S**
(45) **Date of Patent:** **** Jan. 21, 2014**

- (54) **BUMPER GUARD**
- (71) Applicant: **StreetCar ORV LLC**, Wixom, MI (US)
- (72) Inventor: **David Harriton**, Missoula, MT (US)
- (73) Assignee: **Streetcar ORV LLC**, Wixom, MI (US)
- (**) Term: **14 Years**
- (21) Appl. No.: **29/447,240**
- (22) Filed: **Mar. 1, 2013**

D186,876 S	12/1959	Samsen	
D236,196 S	8/1975	Hags et al.	
4,111,478 A *	9/1978	Pompei et al.	293/121
5,154,462 A *	10/1992	Carpenter	293/120
D435,814 S	1/2001	Gabath	
D475,663 S *	6/2003	Chiang	D12/169
D475,664 S *	6/2003	Chiang	D12/169
D478,028 S *	8/2003	Chiang	D12/169
D484,443 S	12/2003	Hattori	

(Continued)

Primary Examiner — Philip S Hyder
Assistant Examiner — Darlington Ly
 (74) *Attorney, Agent, or Firm* — Quinn Law Group, PLLC

Related U.S. Application Data

- (62) Division of application No. 29/405,799, filed on Nov. 7, 2011, now Pat. No. Des. 683,281.
- (51) **LOC (10) Cl.** **12-16**
- (52) **U.S. Cl.**
USPC **D12/167; D12/169**
- (58) **Field of Classification Search**
USPC D12/86, 90, 91, 92, 163, 169, 196, 171,
D12/216; 296/181.1, 181.5; 293/102, 113,
293/115, 117, 120
See application file for complete search history.

(57) **CLAIM**

I claim the ornamental design for a bumper guard, as shown and described herein.

DESCRIPTION

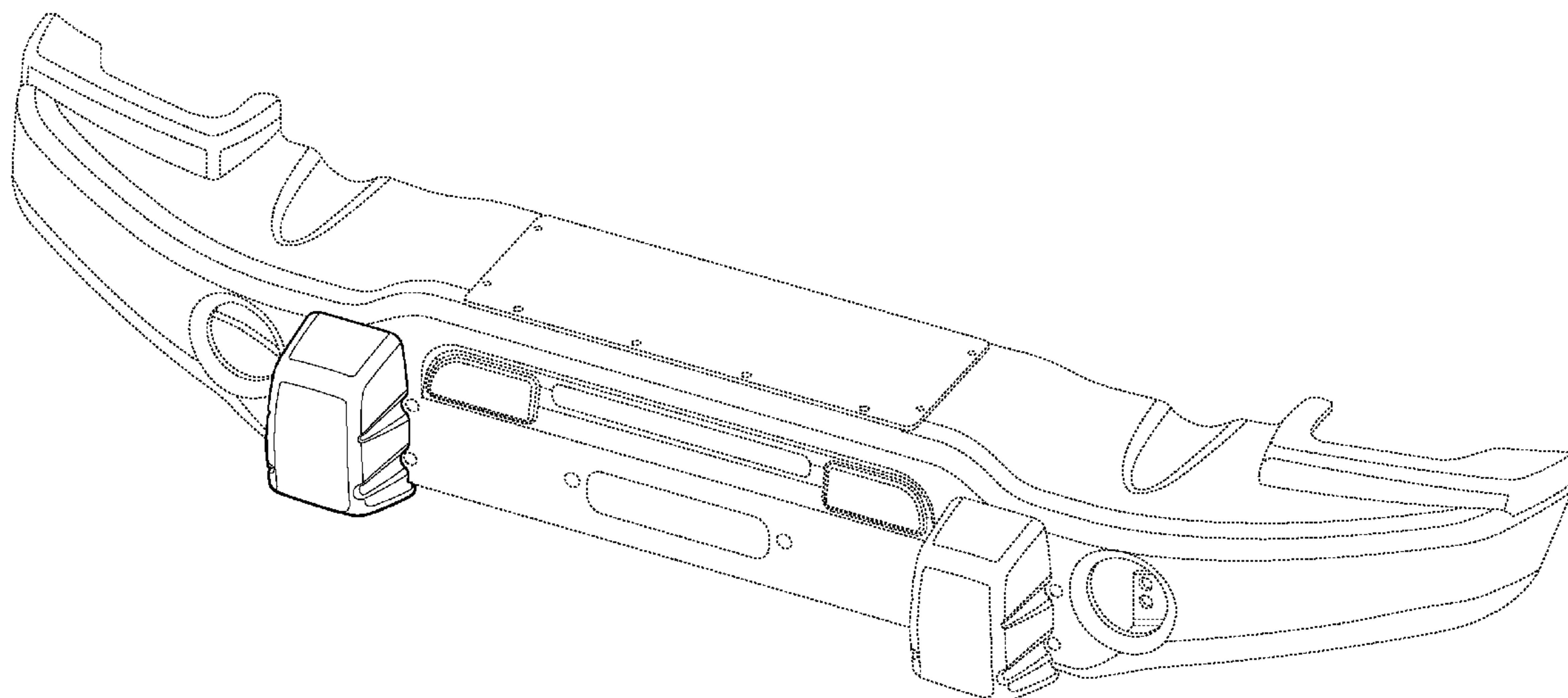
FIG. 1 is a top and front perspective view of the bumper guard design as shown on the left side of a vehicle bumper environment;
 FIG. 2 is a bottom plan view thereof;
 FIG. 3 is a top plan view thereof;
 FIG. 4 is a front elevation view thereof;
 FIG. 5 is a rear elevation view thereof;
 FIG. 6 is a left side elevation view thereof; and
 FIG. 7 is a right side elevation view thereof.
 FIG. 8 is a top and front perspective view of the bumper guard design as shown on the right side of a vehicle bumper environment;
 FIG. 9 is a bottom plan view thereof;
 FIG. 10 is a top plan view thereof;
 FIG. 11 is a front elevation view thereof;
 FIG. 12 is a rear elevation view thereof;
 FIG. 13 is a left side elevation view thereof; and,
 FIG. 14 is a right side elevation view thereof.
 The broken lines shown in the drawings illustrate portions of the bumper guard that forms no part of claimed design.

(56) **References Cited**

U.S. PATENT DOCUMENTS

1,686,991 A *	10/1928	Schauman et al.	180/279
D90,716 S	9/1933	Howard	
D92,216 S	5/1934	Thomas	
D117,505 S	11/1939	Schonberg	
2,194,042 A *	3/1940	Wyatt	40/200
D119,809 S	4/1940	Oswald	
D120,209 S	4/1940	Ache	
D125,010 S	2/1941	Walker	
D152,398 S	1/1949	Darrin	
D179,125 S	11/1956	Earl	
D181,593 S	12/1957	MacKichan et al.	
D183,153 S	7/1958	Wilfert	
D183,550 S	9/1958	Wilfert	

1 Claim, 8 Drawing Sheets



US D697,842 S

Page 2

(56)

References Cited

U.S. PATENT DOCUMENTS

D504,852 S * 5/2005 Kubota D12/169
D513,213 S * 12/2005 Sato D12/169

D534,106 S 12/2006 Matei
D562,744 S * 2/2008 Hanson et al. D12/169
D627,276 S * 11/2010 Krugger et al. D12/169
D630,976 S * 1/2011 Clottu D12/169

* cited by examiner

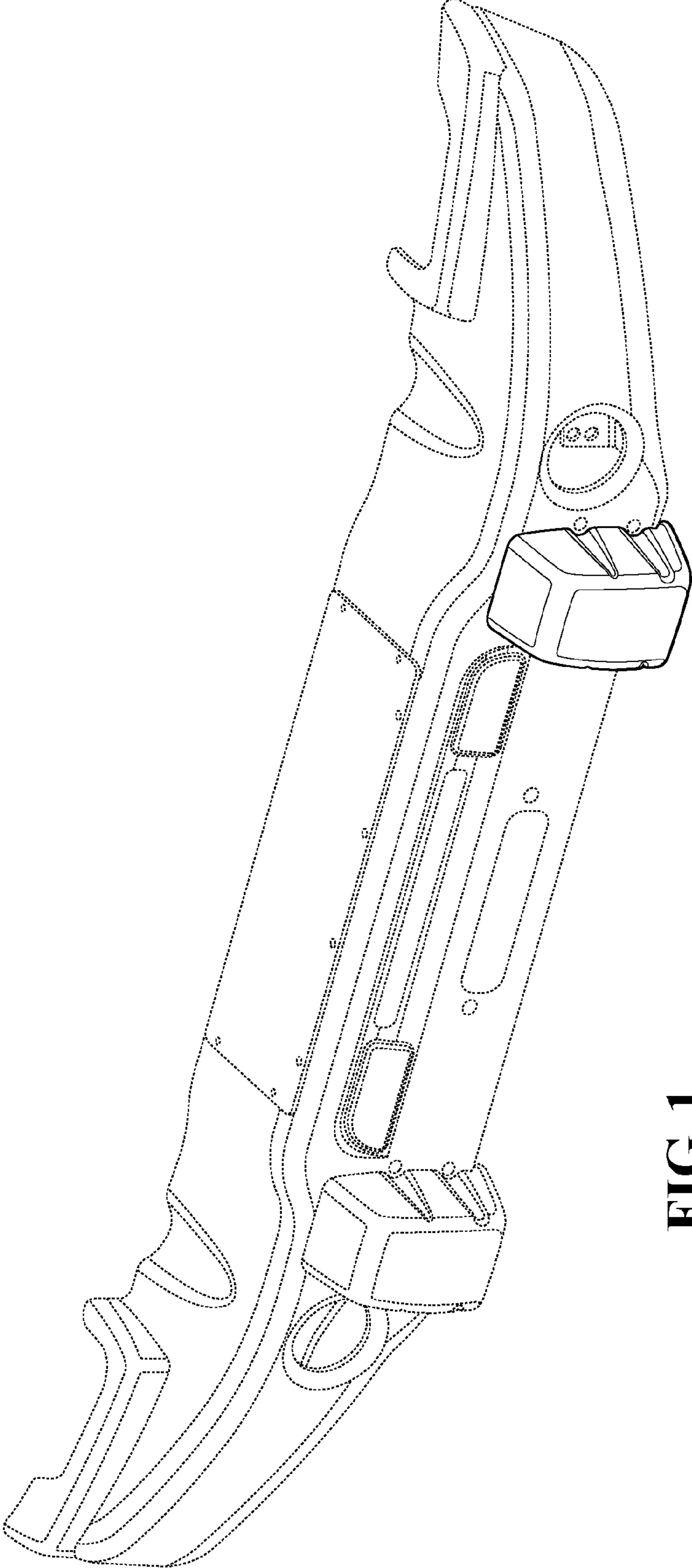


FIG. 1

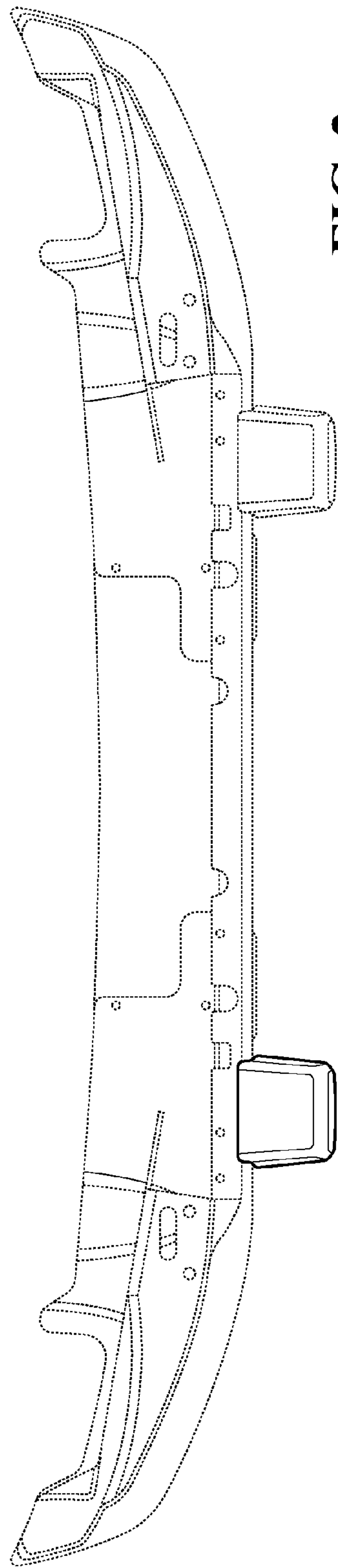


FIG. 2

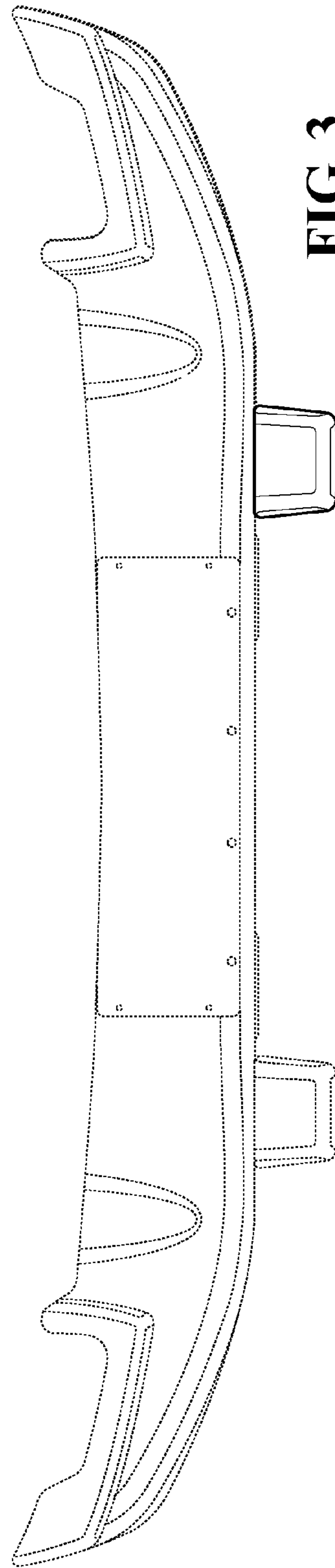


FIG. 3

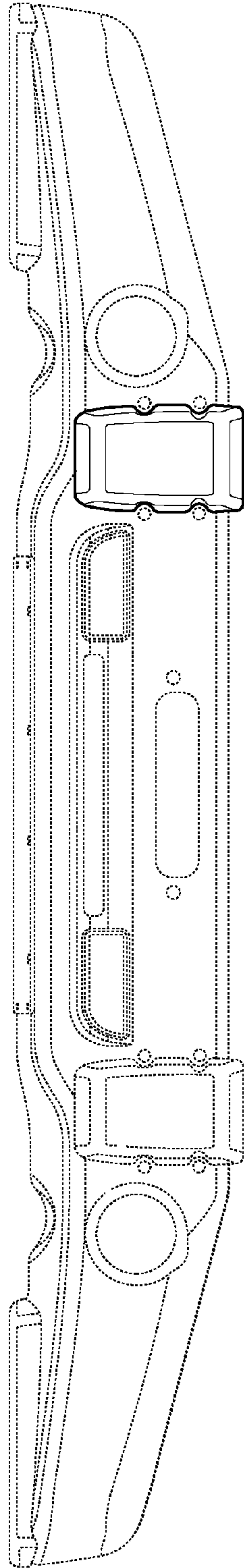


FIG. 4

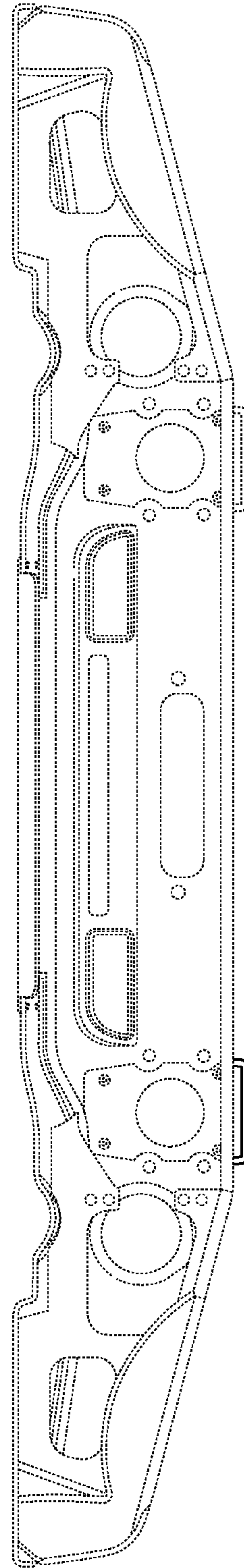


FIG. 5

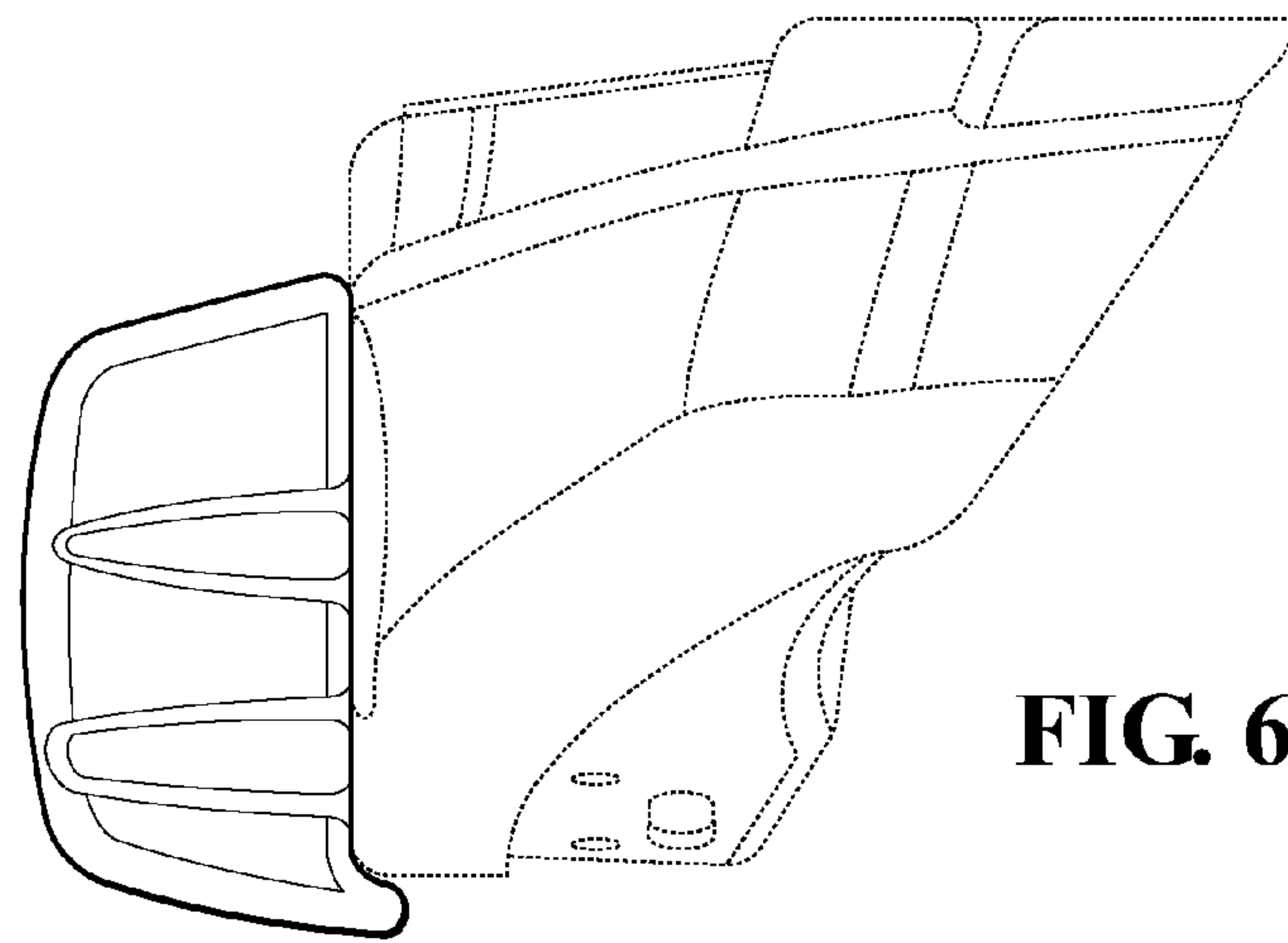


FIG. 6

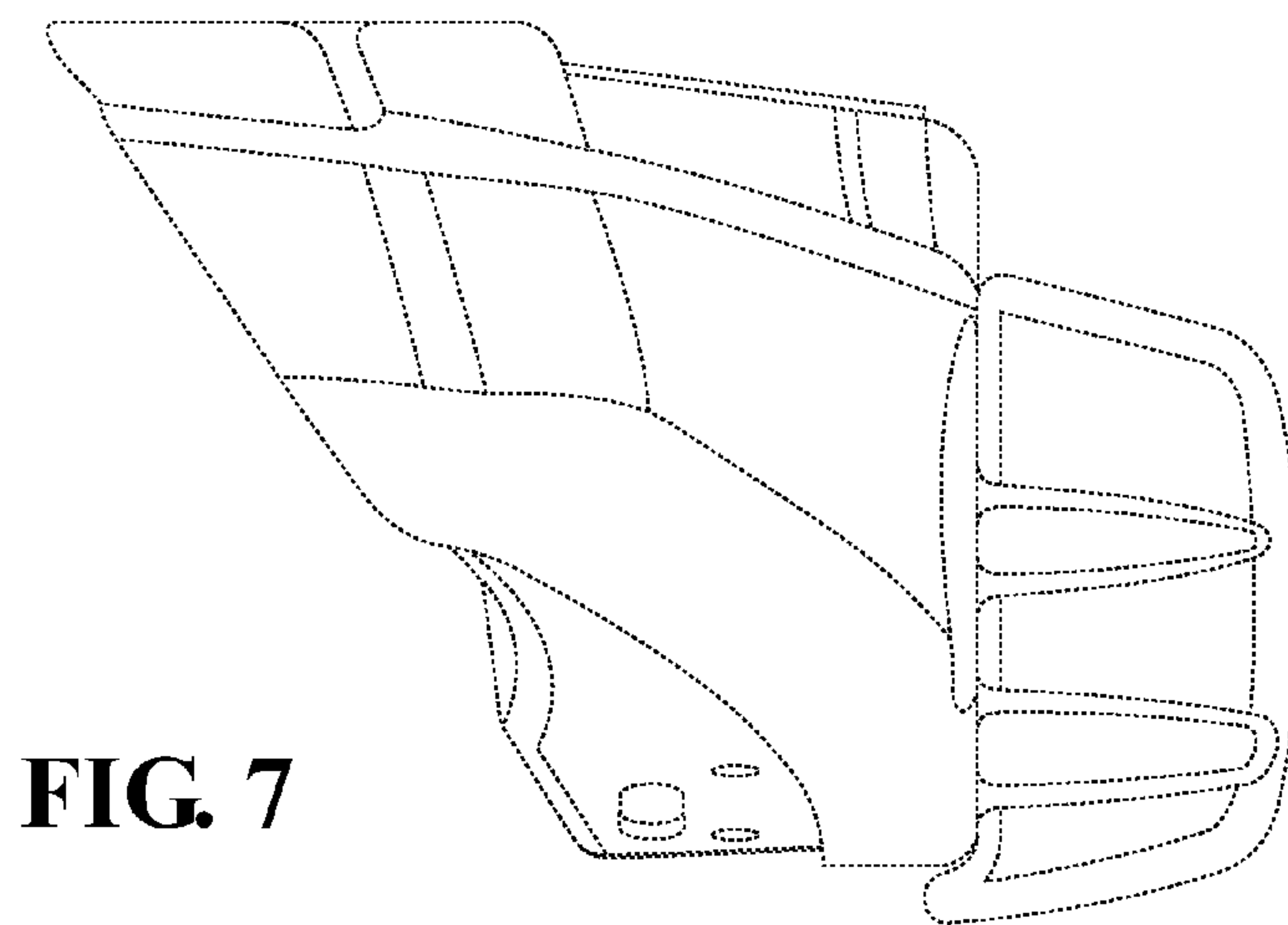


FIG. 7

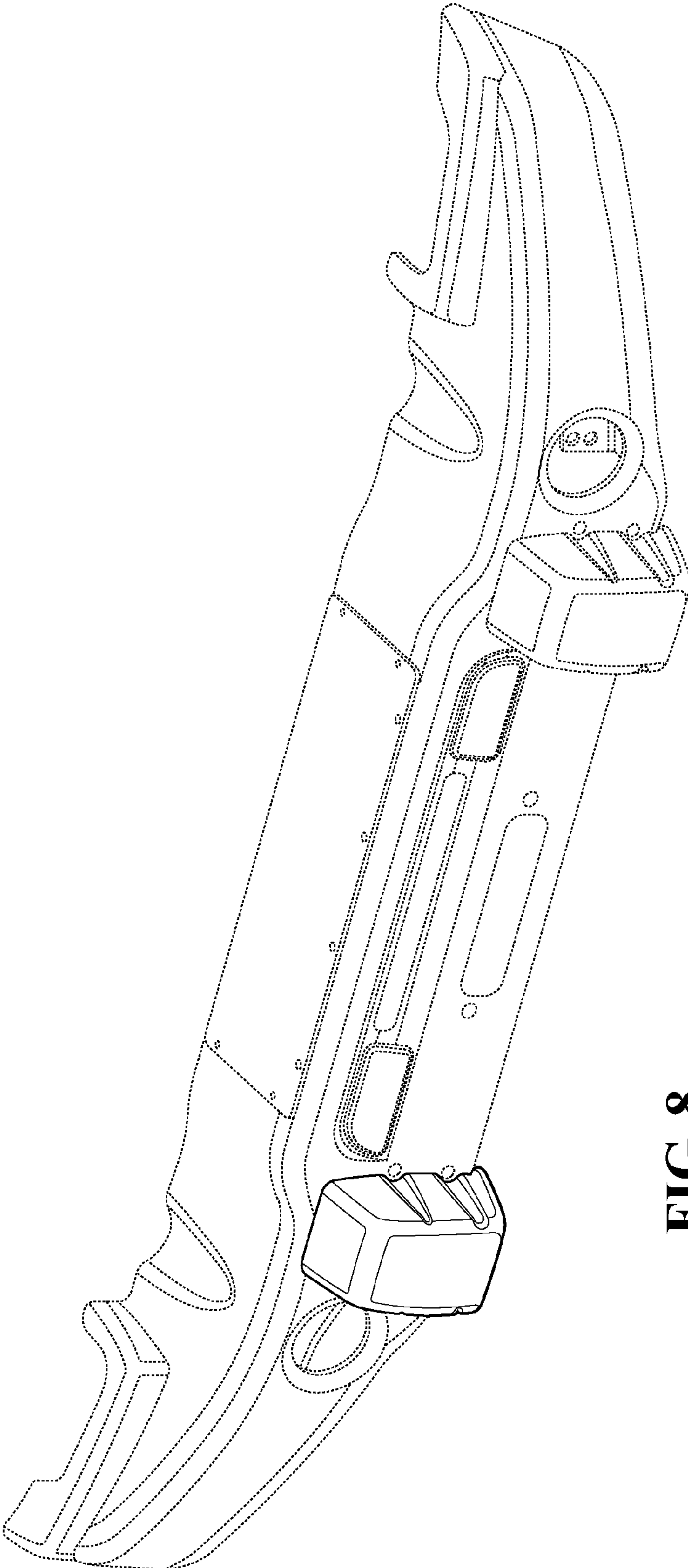


FIG. 8

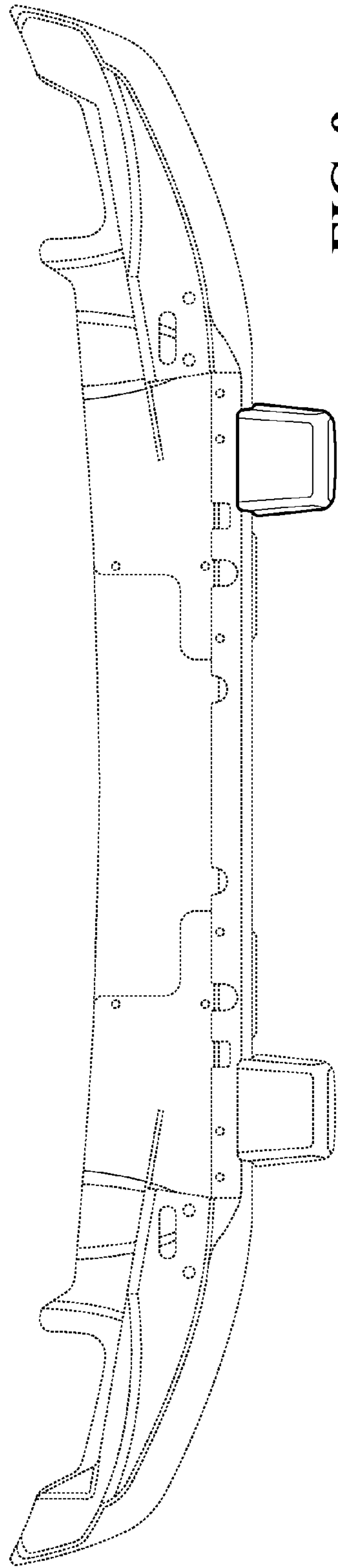


FIG. 9

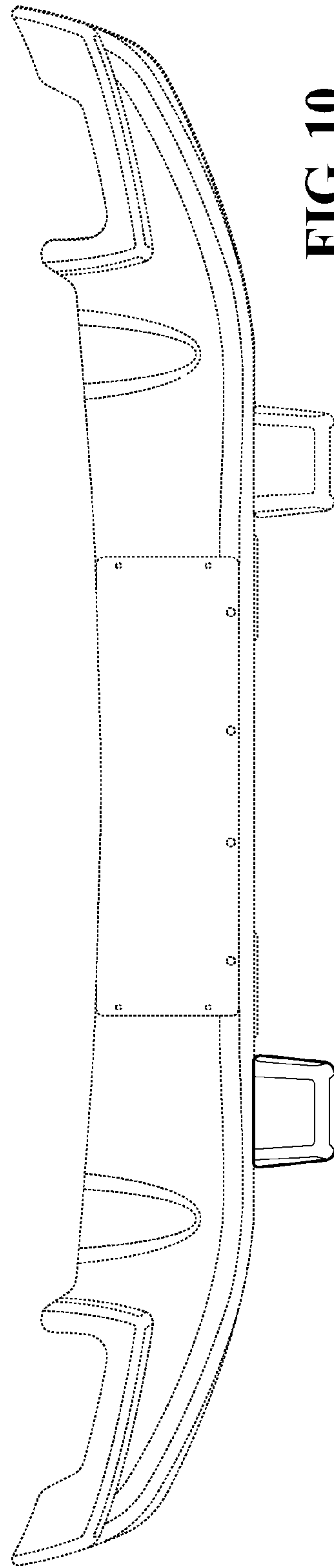


FIG. 10

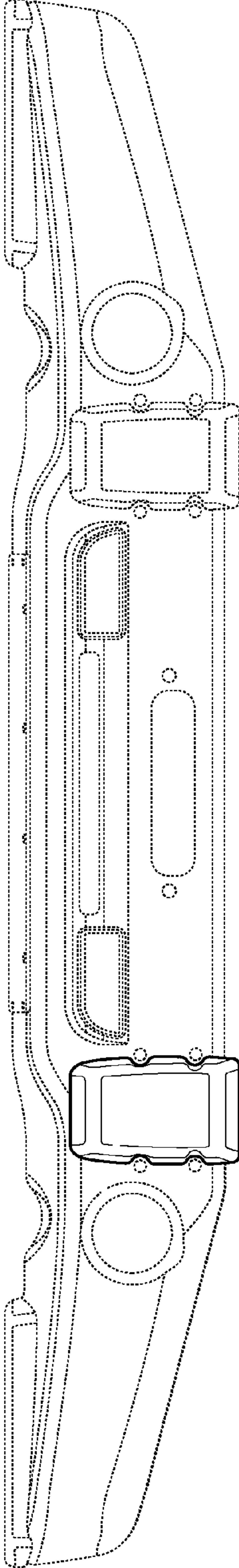


FIG. 11

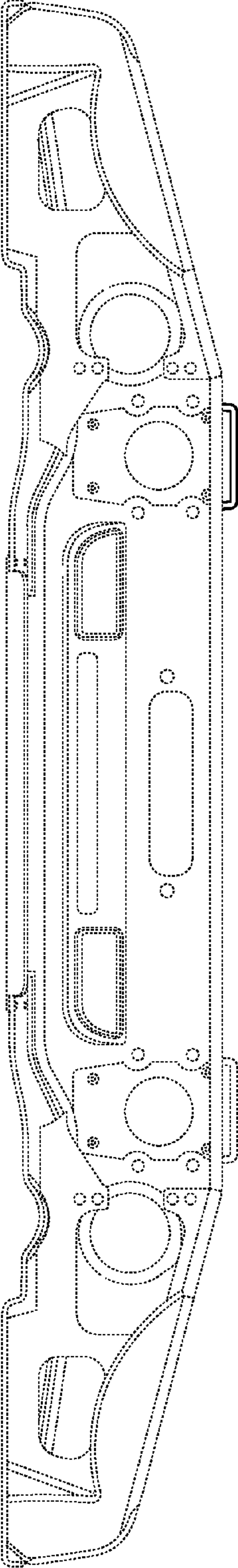


FIG. 12

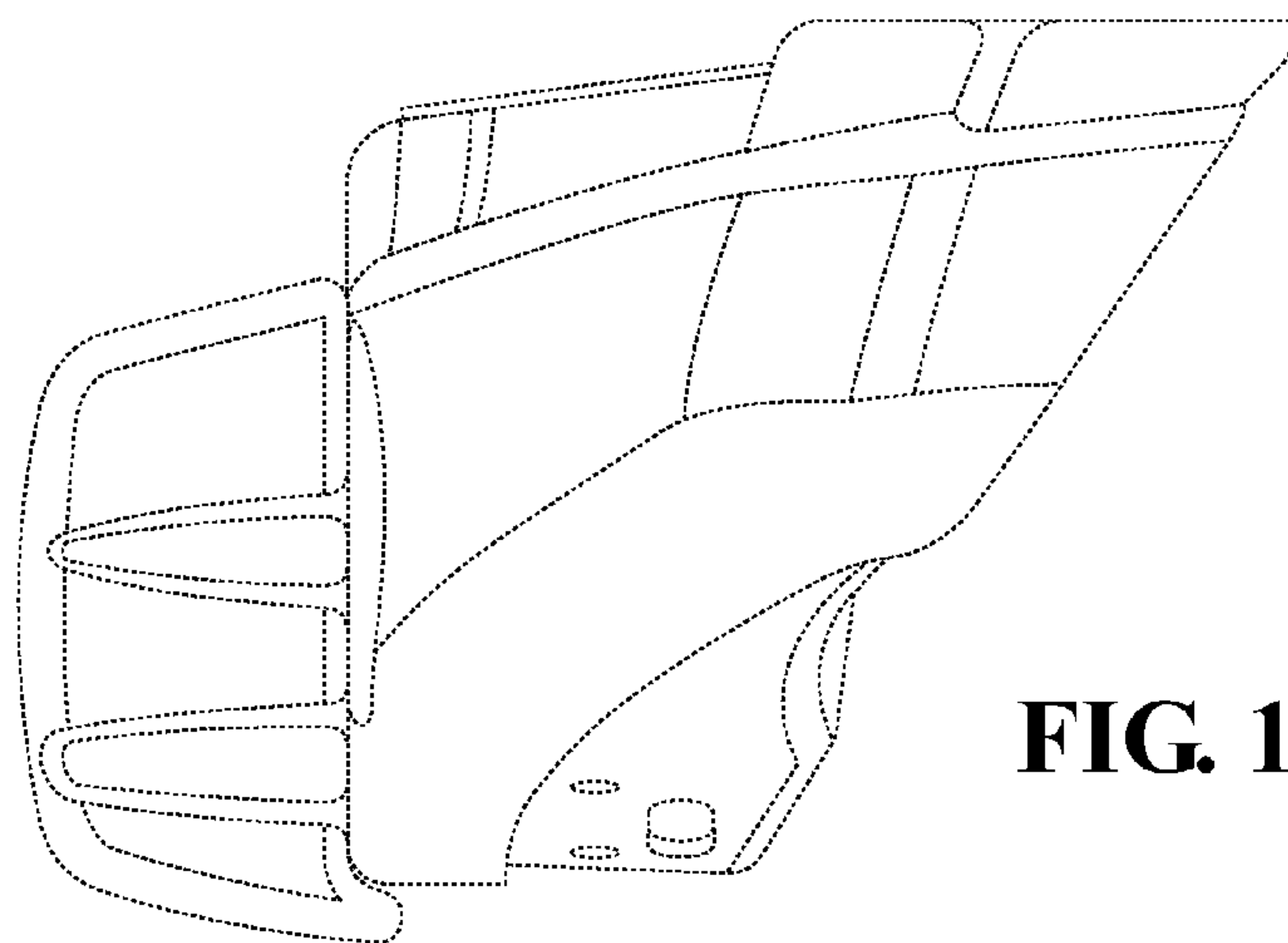


FIG. 13

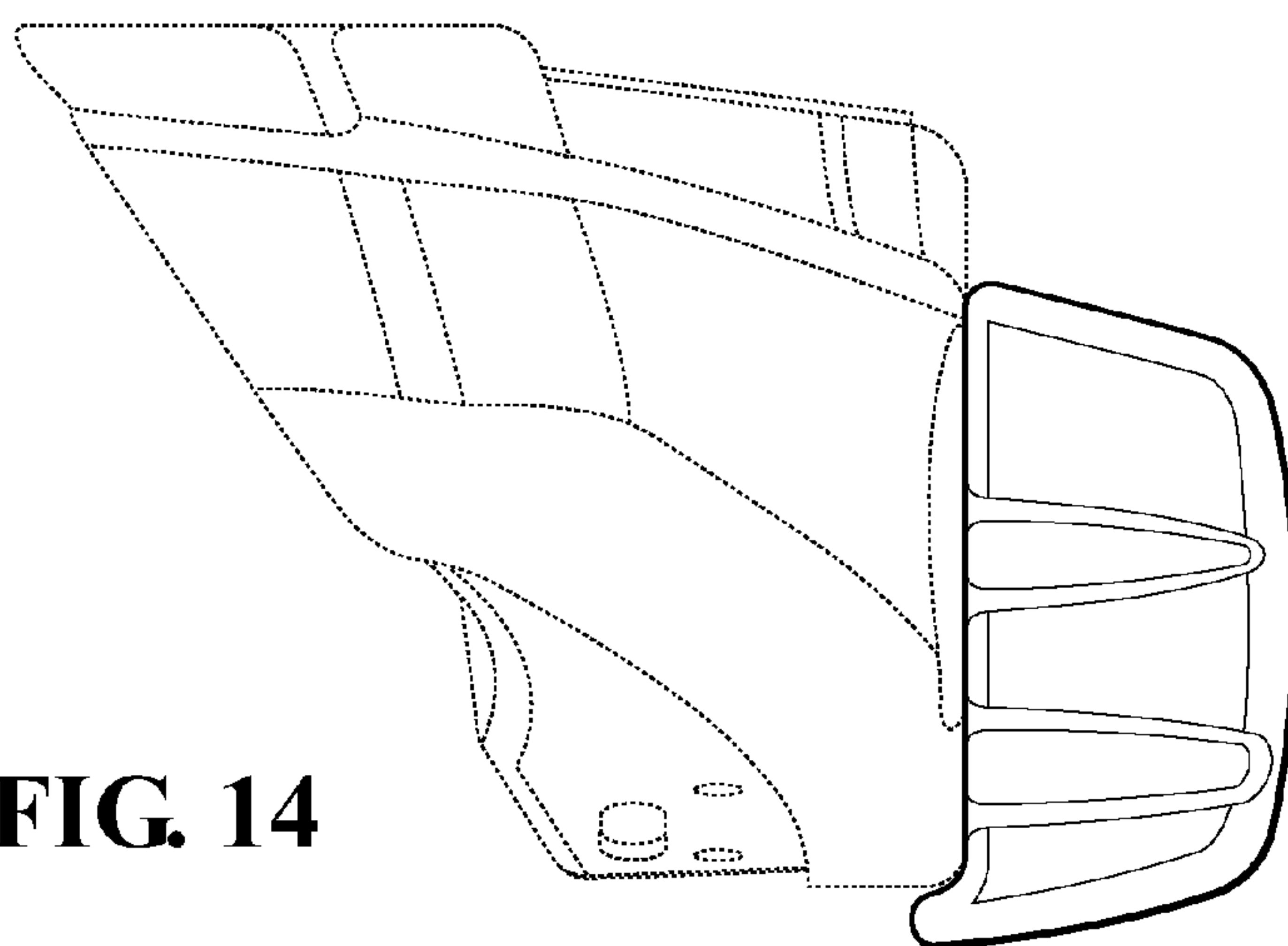


FIG. 14