



US00D697839S

(12) **United States Design Patent**  
**Le**

(10) **Patent No.:** **US D697,839 S**  
(45) **Date of Patent:** **\*\* Jan. 21, 2014**

(54) **SEALED LEVER LATCH**

(71) Applicant: **S.P.E.P. Acquisition Corp.**, Long Beach, CA (US)

(72) Inventor: **Tam Le**, Santa Ana, CA (US)

(73) Assignee: **S.P.E.P. Acquisition Corp.**, Long Beach, CA (US)

(\*\*) Term: **14 Years**

(21) Appl. No.: **29/441,212**

(22) Filed: **Jan. 2, 2013**

(51) **LOC (10) Cl.** ..... **12-16**

(52) **U.S. Cl.**  
USPC ..... **D12/162**

(58) **Field of Classification Search**  
USPC ..... D12/162, 159, 160, 161; 56/DIG. 14; 37/399; 280/406.2, 407, 407.1, 408, 280/411.1, 416.1, 416.2, 416.3, 418, 418.1, 280/433, 434, 435, 441.1, 441.2, 455.1, 280/456.1, 480, 493, 504, 507, 508; 224/42.11, 42.12, 42.14, 42.26, 400, 224/401, 412, 413, 488, 494, 500-501, 519, 224/537; 135/88.05; 150/166

See application file for complete search history.

(56) **References Cited**

**U.S. PATENT DOCUMENTS**

D330,196 S \* 10/1992 Hitzler ..... D14/328  
D419,505 S \* 1/2000 Deerman ..... D12/162

D424,485 S \* 5/2000 Parker ..... D12/162  
D458,195 S \* 6/2002 Beauvais ..... D12/162  
D480,338 S \* 10/2003 Harwood ..... D12/162  
D528,949 S \* 9/2006 Tirey ..... D12/162  
D618,598 S \* 6/2010 Edwards ..... D12/162  
D682,750 S \* 5/2013 Smith ..... D12/162  
D684,507 S \* 6/2013 Davidson et al. .... D12/162

\* cited by examiner

*Primary Examiner* — Katrina A Betton

(74) *Attorney, Agent, or Firm* — Daniel R. Kimbell; Karish & Bjorgum, PC

(57) **CLAIM**

The ornamental design for sealed lever latch, as shown and described.

**DESCRIPTION**

FIG. 1 is top front isometric view of the sealed lever latch of the invention.

FIG. 2 is a top rear isometric view of the sealed lever latch of FIG. 1.

FIG. 3 is a top view of the sealed lever latch of FIG. 1.

FIG. 4 is bottom view of the sealed lever latch of FIG. 1.

FIG. 5 is right side view of the sealed lever latch of FIG. 1.

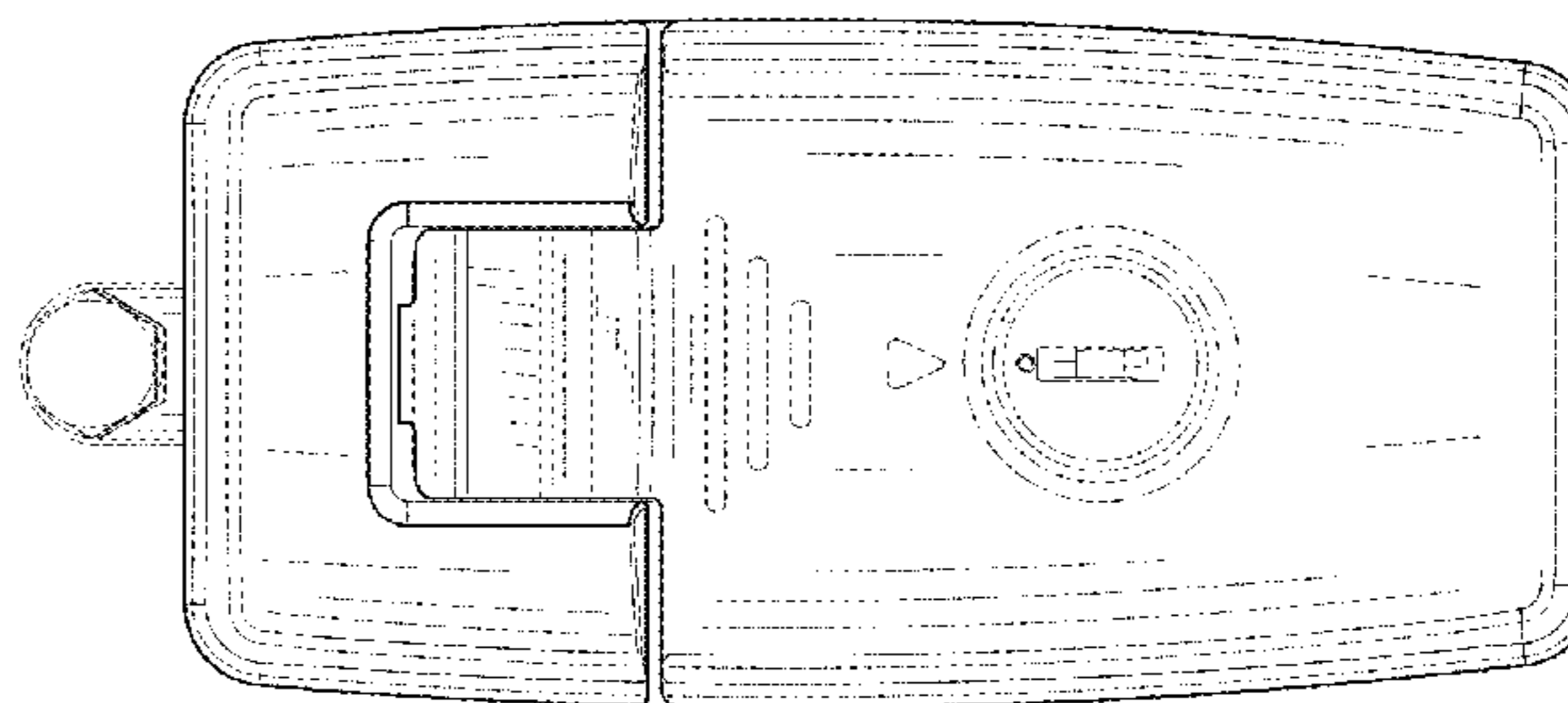
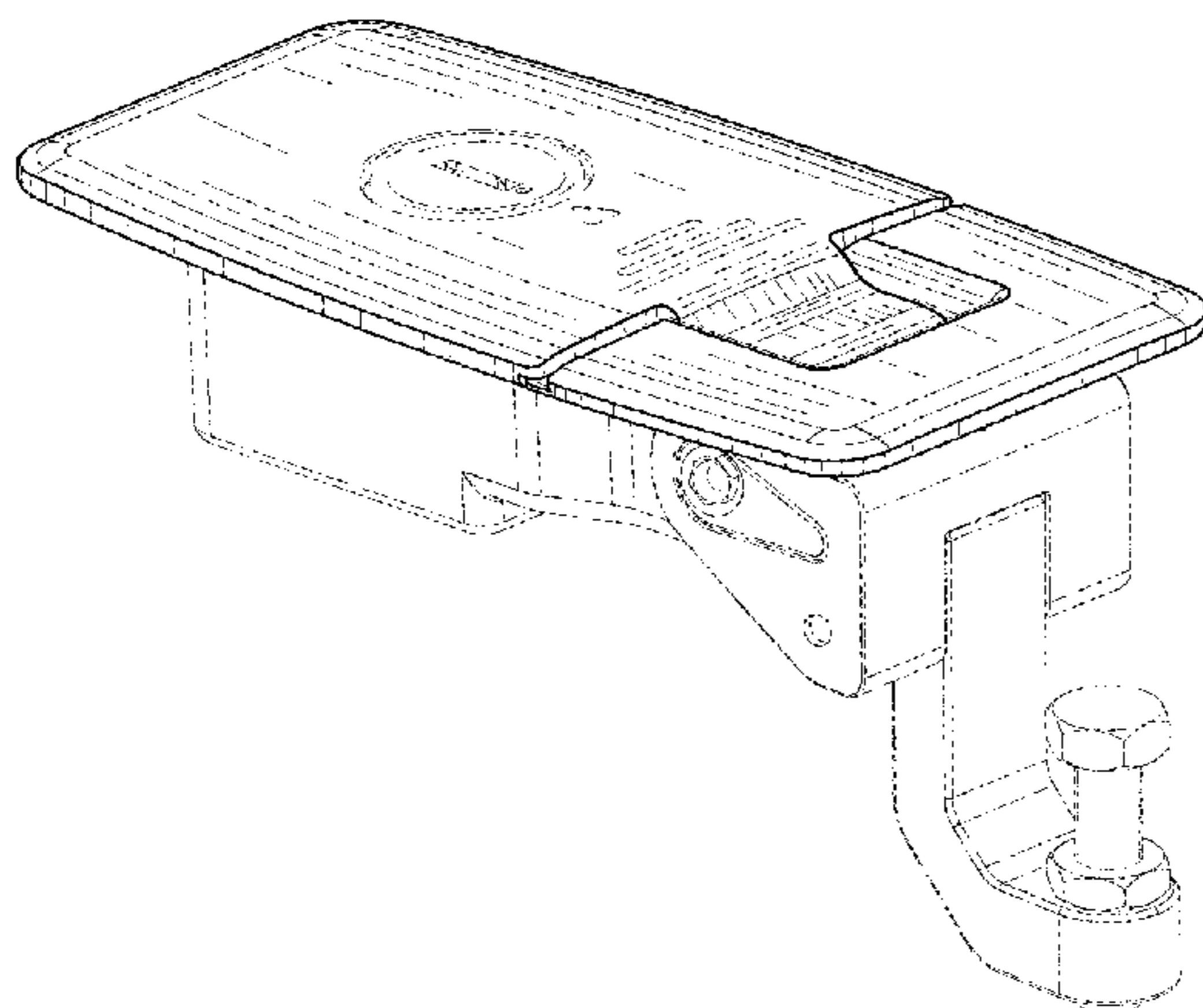
FIG. 6 is left side view of the sealed lever latch of FIG. 1.

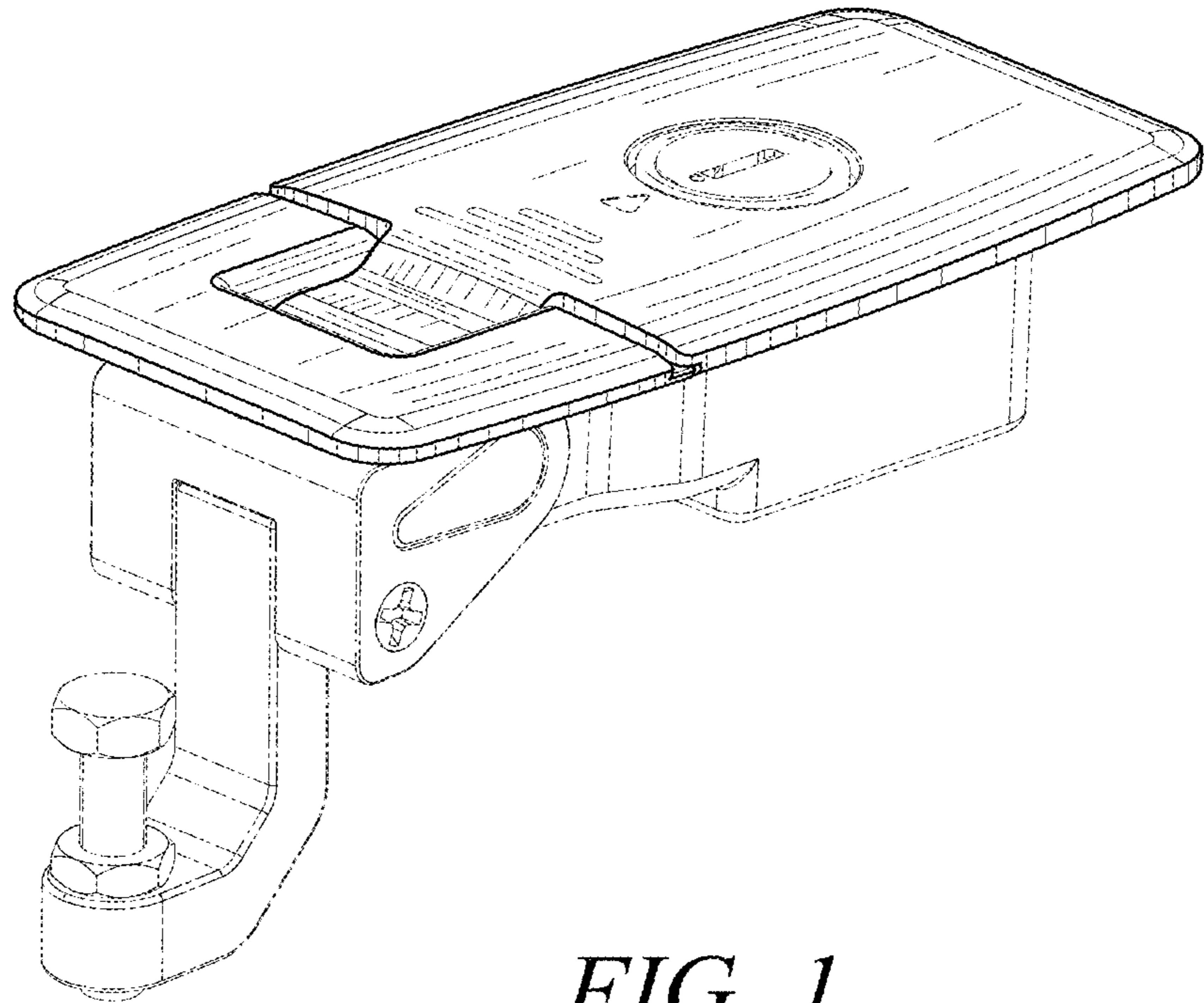
FIG. 7 is a front view of the sealed lever latch of FIG. 1; and,

FIG. 8 is a rear view of the sealed lever latch of FIG. 1.

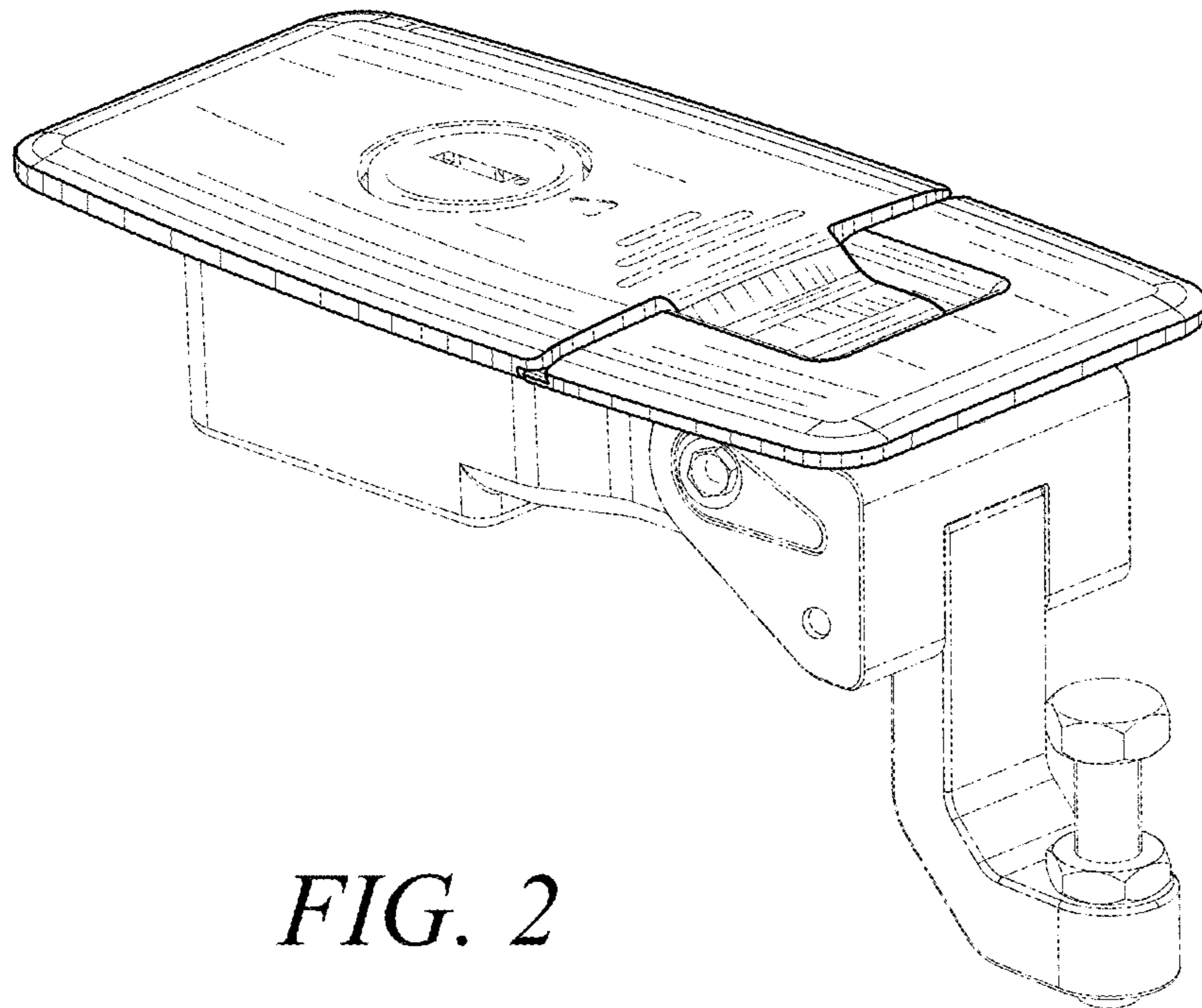
The features shown in dashed lines form no part of the design and are not claimed.

**1 Claim, 4 Drawing Sheets**

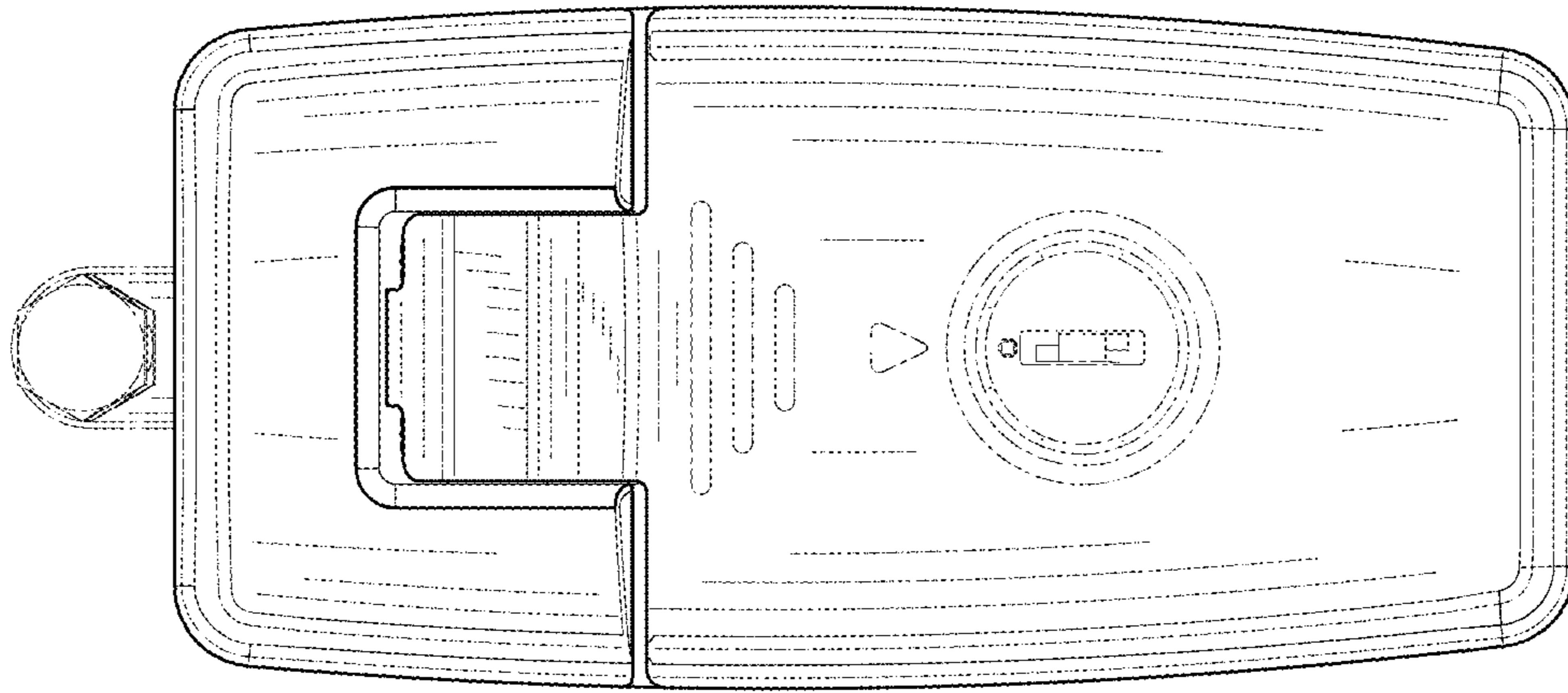




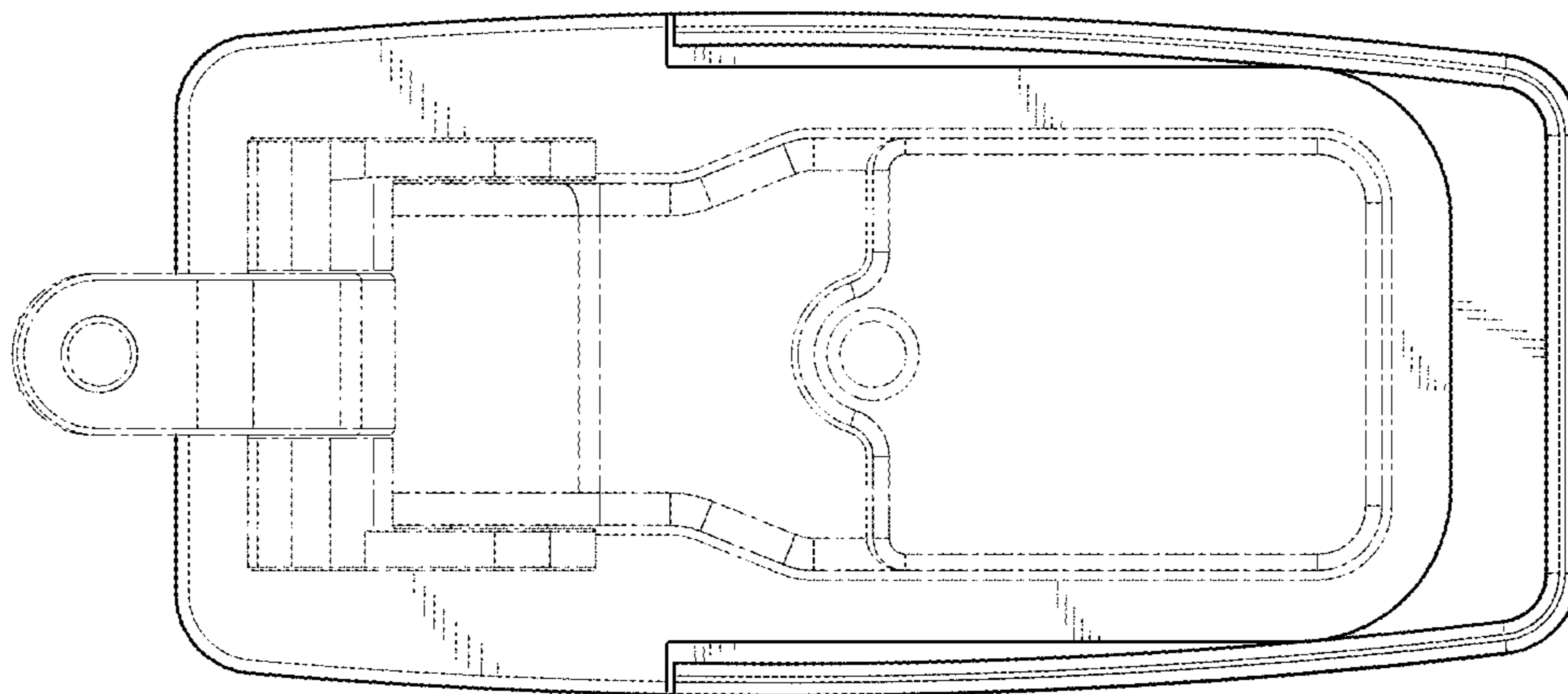
*FIG. 1*



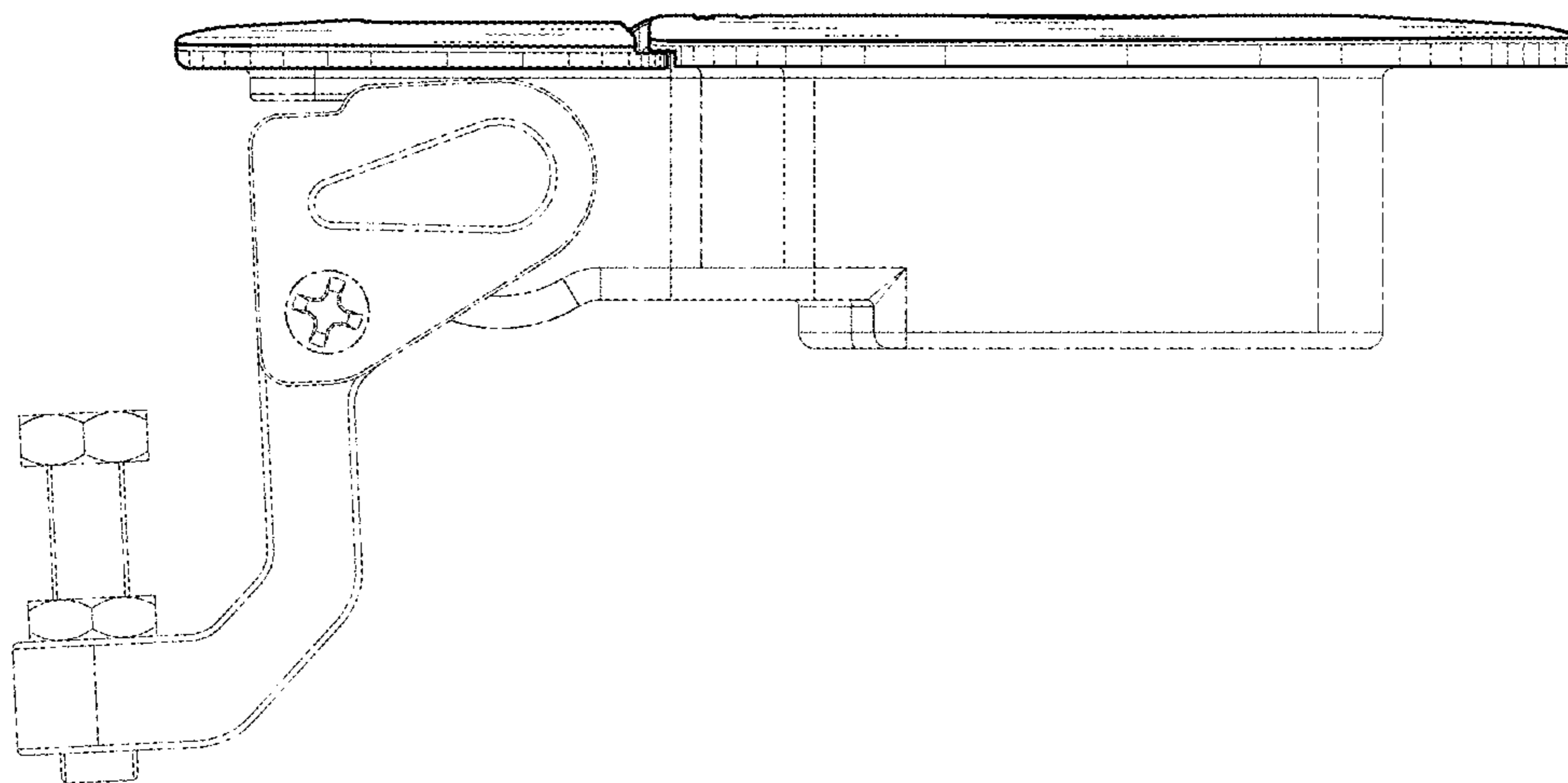
*FIG. 2*



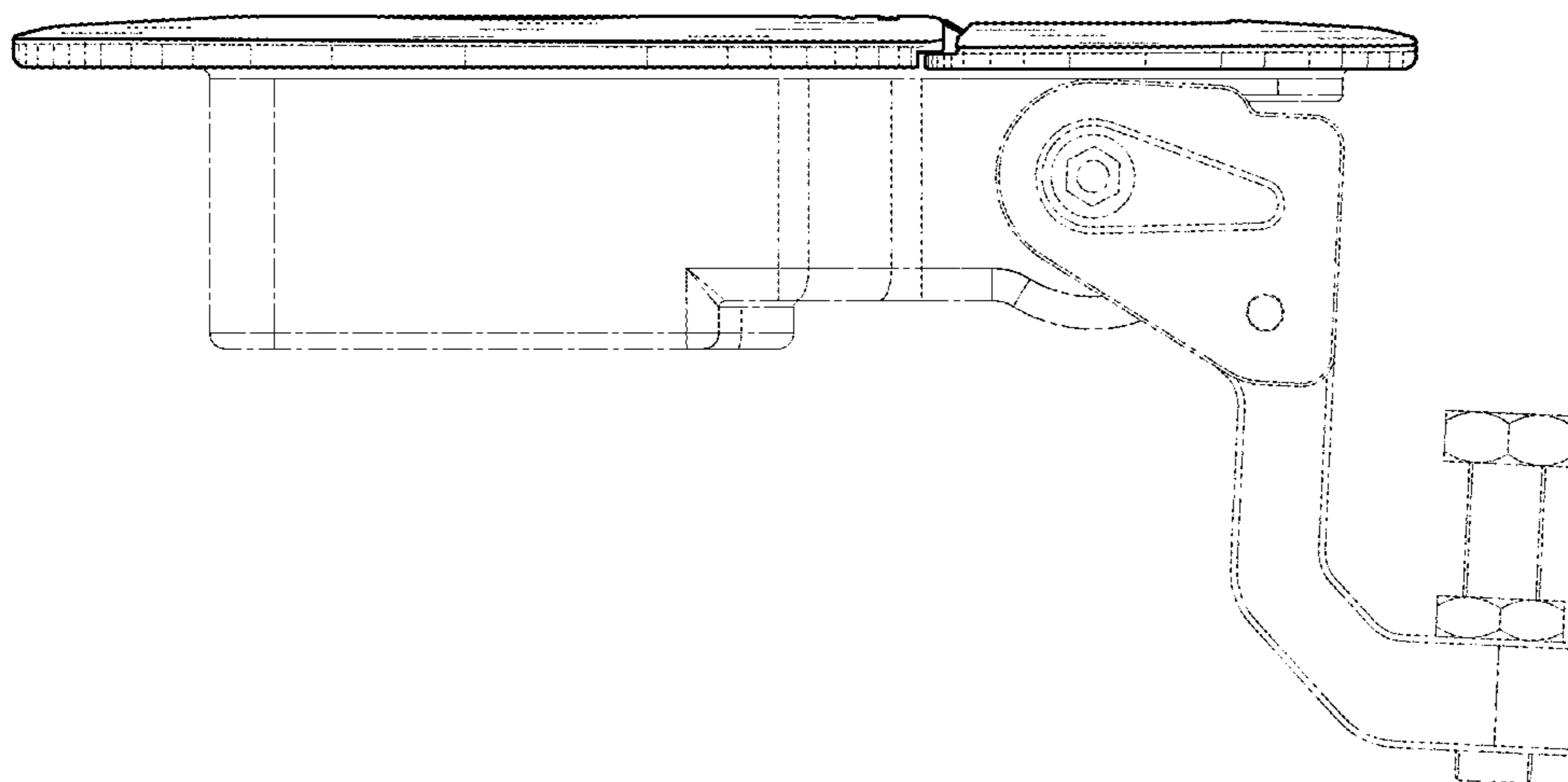
*FIG. 3*



*FIG. 4*

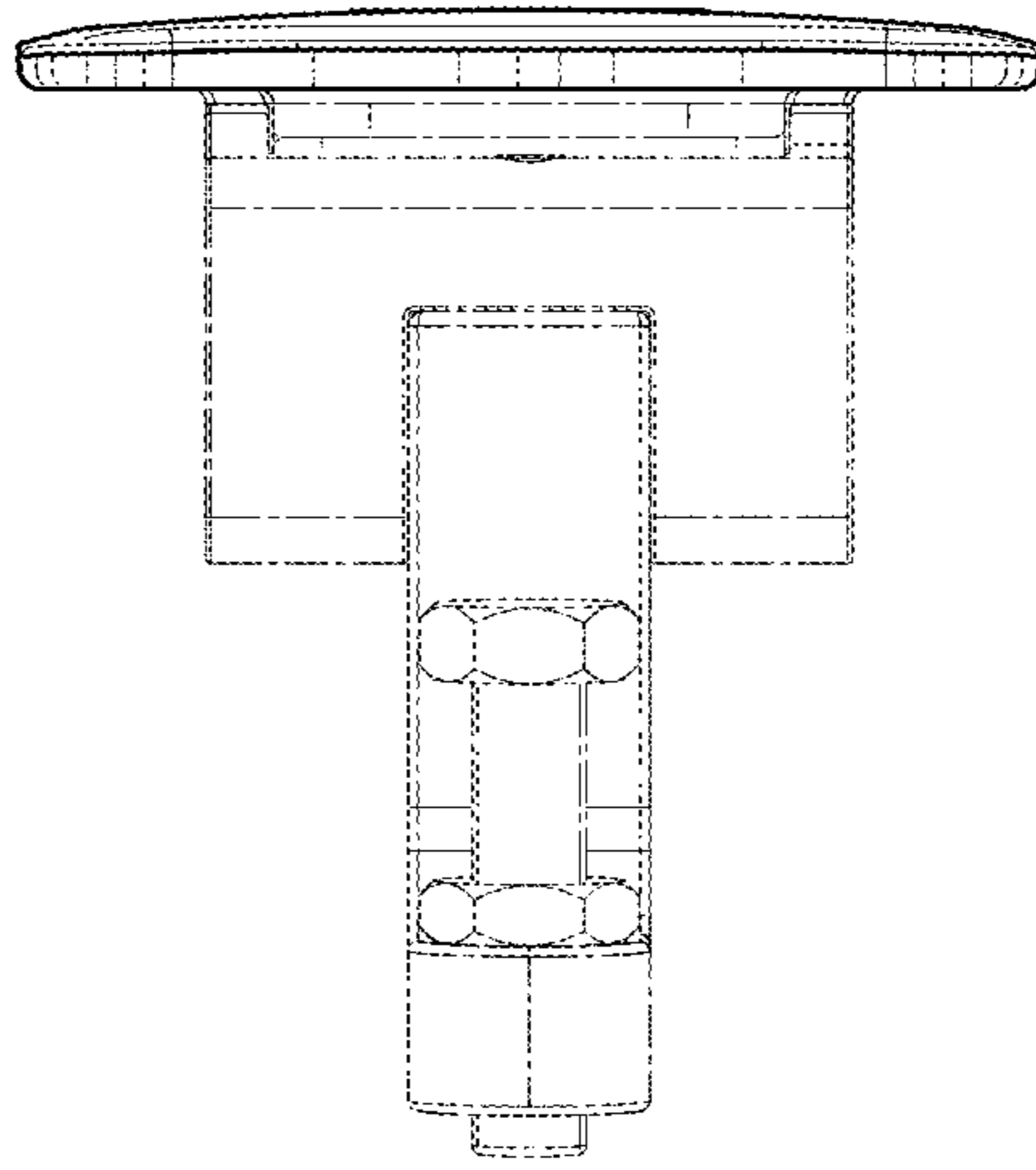


*FIG. 5*

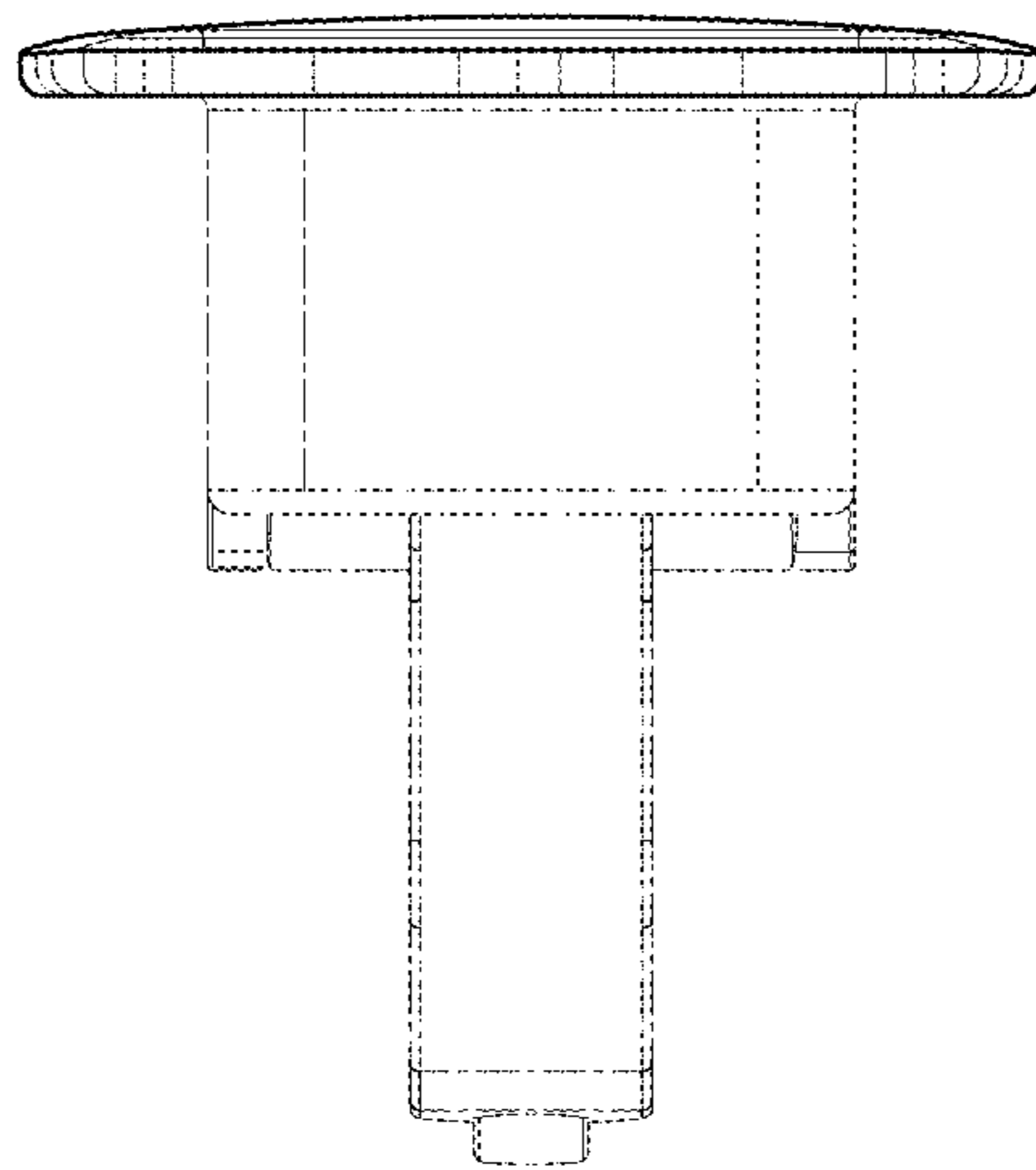


*FIG. 6*





*FIG. 7*



*FIG. 8*