



US00D697838S

(12) **United States Design Patent**  
**Borkholder**

(10) **Patent No.:** **US D697,838 S**

(45) **Date of Patent:** **\*\* Jan. 21, 2014**

(54) **ADJUSTABLE RECEIVER HITCH**

(71) Applicant: **Carl Borkholder**, Bremen, IN (US)

(72) Inventor: **Carl Borkholder**, Bremen, IN (US)

(\*\*) Term: **14 Years**

(21) Appl. No.: **29/438,306**

(22) Filed: **Nov. 28, 2012**

(51) **LOC (10) Cl.** ..... **12-16**

(52) **U.S. Cl.**  
USPC ..... **D12/162**

(58) **Field of Classification Search**  
USPC ..... D12/162, 159, 160, 161; 56/DIG. 14;  
37/399; 280/406.2, 407, 407.1, 408,  
280/411.1, 416.1, 416.2, 416.3, 418, 418.1,  
280/433, 434, 435, 441.1, 441.2, 455.1,  
280/456.1, 480, 493, 504, 507, 508;  
224/42.11, 42.12, 42.14, 42.26, 400,  
224/401, 412, 413, 488, 494, 500-501, 519,  
224/537; 135/88.05; 150/166

See application file for complete search history.

(56) **References Cited**

U.S. PATENT DOCUMENTS

|              |      |         |                        |         |
|--------------|------|---------|------------------------|---------|
| 3,782,761    | A *  | 1/1974  | Cardin, Sr. ....       | 280/507 |
| D326,834     | S *  | 6/1992  | Kuhlemeier et al. .... | D12/162 |
| D576,085     | S *  | 9/2008  | Devlin .....           | D12/162 |
| 7,455,313    | B2 * | 11/2008 | Yokosh et al. ....     | 280/507 |
| D591,208     | S *  | 4/2009  | Wubker, Jr. ....       | D12/162 |
| D612,775     | S *  | 3/2010  | Davis .....            | D12/162 |
| D628,128     | S *  | 11/2010 | Sanders et al. ....    | D12/162 |
| D688,168     | S *  | 8/2013  | Buschman .....         | D12/162 |
| 2012/0049484 | A1 * | 3/2012  | Brass .....            | 280/507 |

\* cited by examiner

*Primary Examiner* — Katrina A Betton

(74) *Attorney, Agent, or Firm* — QuickPatents; Kevin Prince

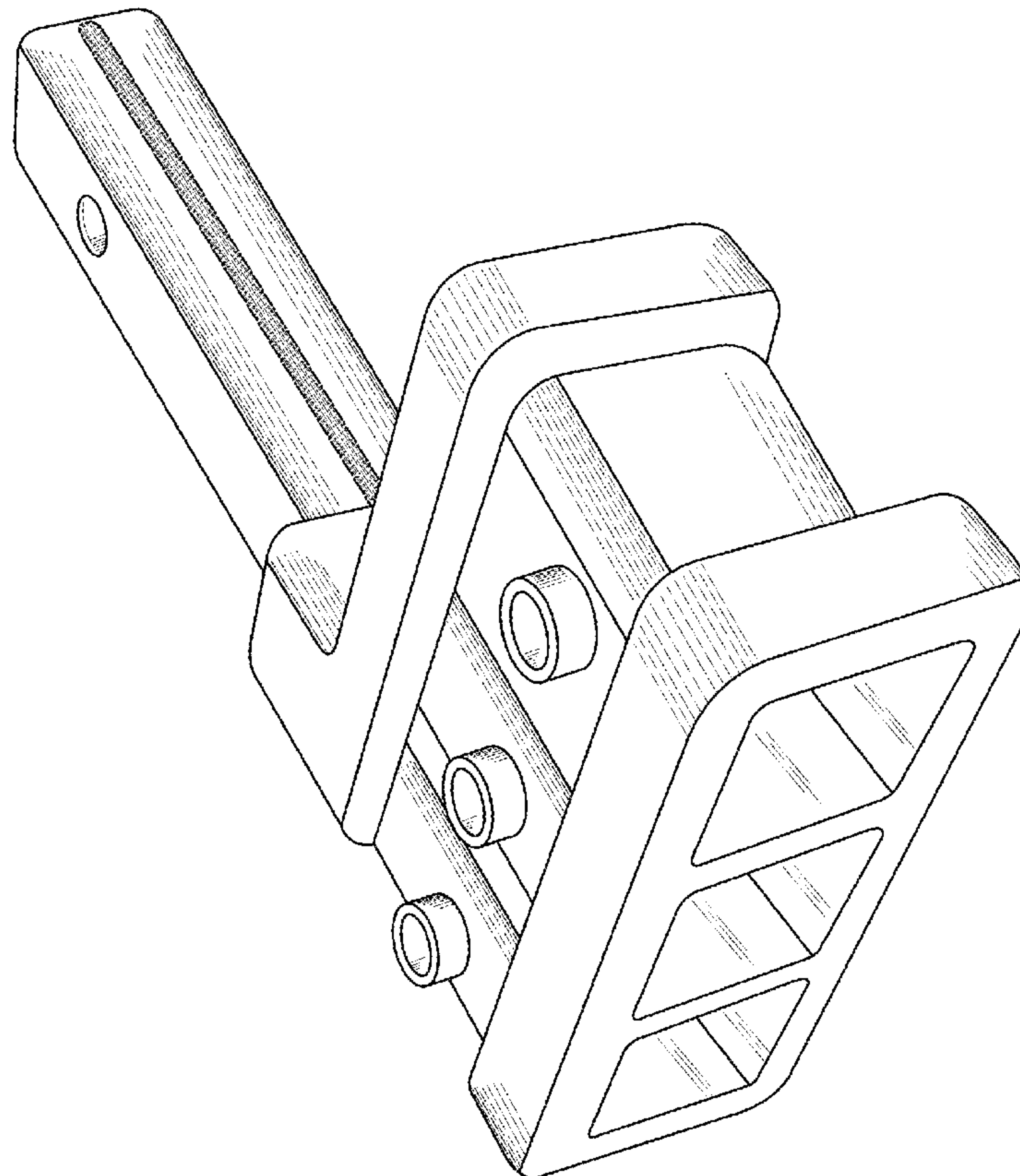
(57) **CLAIM**

I claim the ornamental design for an adjustable receiver hitch, as shown and described.

**DESCRIPTION**

FIG. 1 is a perspective view of an adjustable receiver hitch, showing my new design;  
FIG. 2 is a left-side elevational view thereof, the right-side elevational view being a mirror image thereof;  
FIG. 3 is a top plan view thereof;  
FIG. 4 is a bottom plan view thereof;  
FIG. 5 is a front elevational view thereof; and,  
FIG. 6 is a rear elevational view thereof.

**1 Claim, 3 Drawing Sheets**



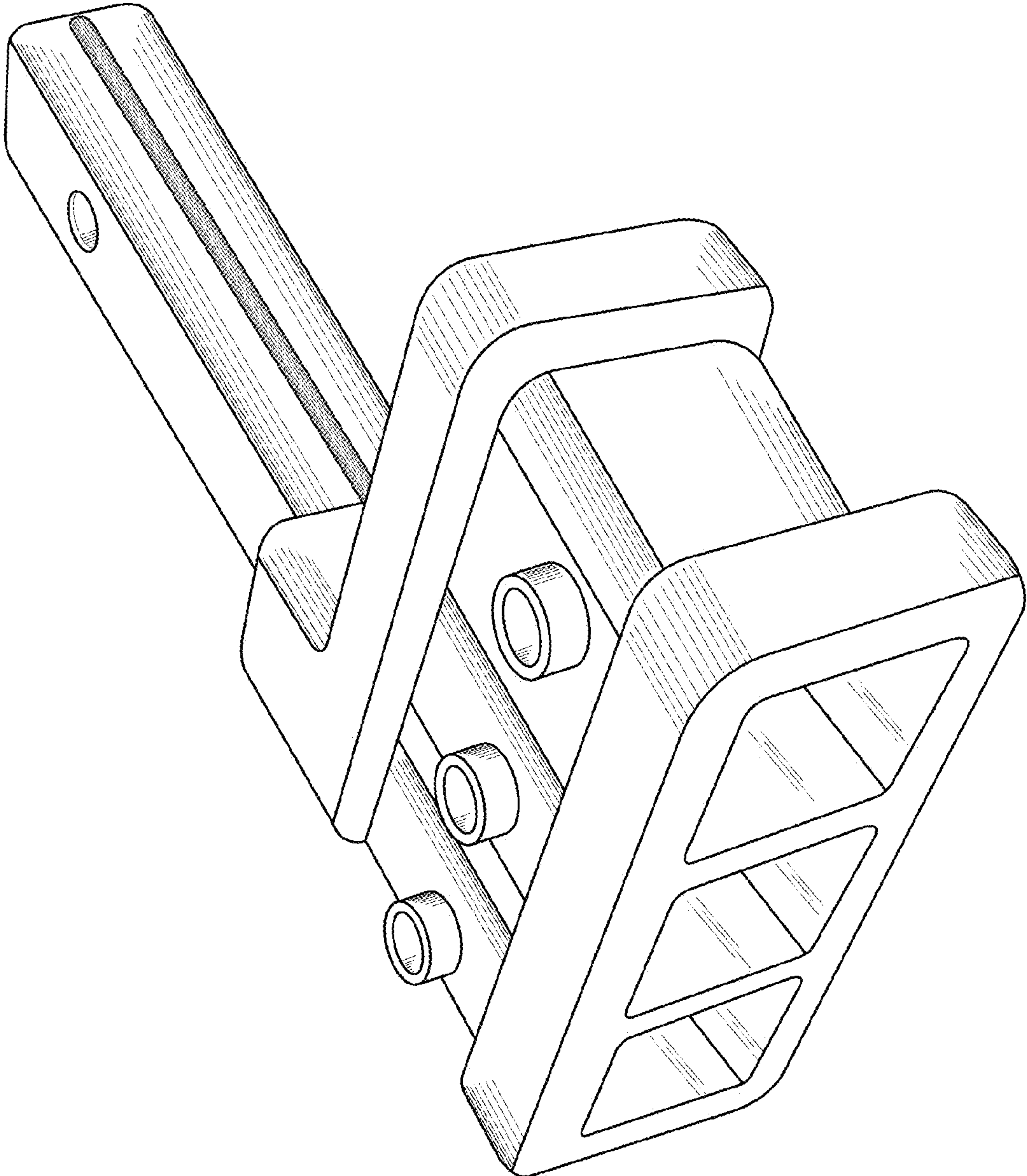


FIG. 1

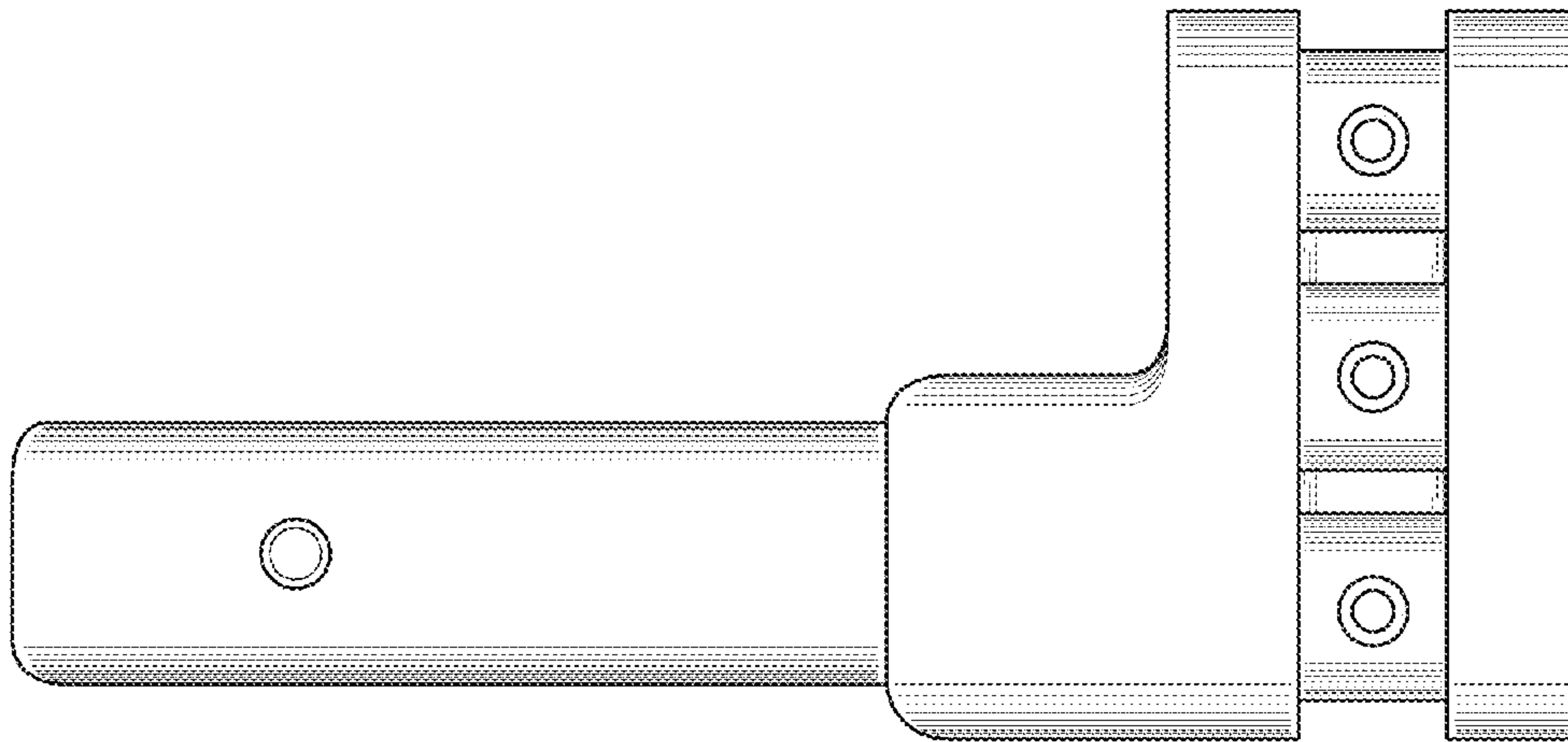


FIG. 2

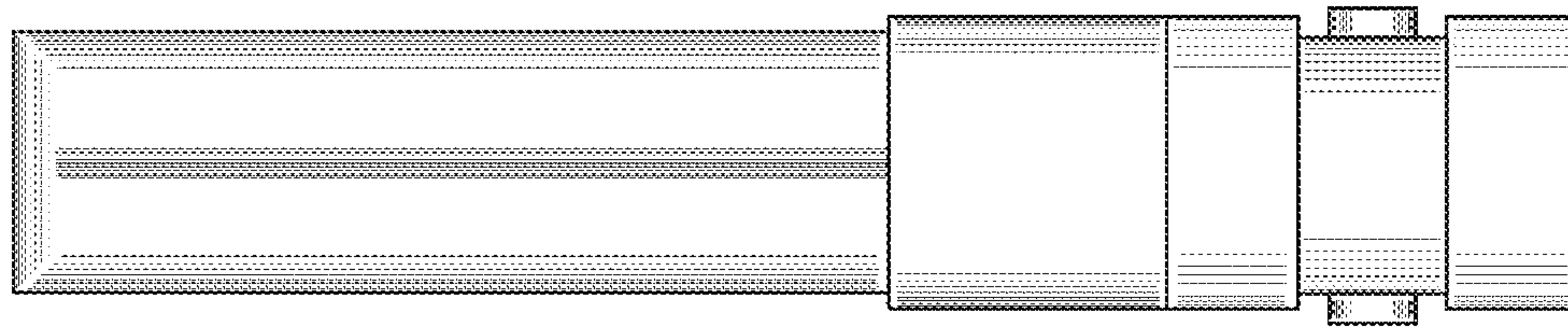


FIG. 3

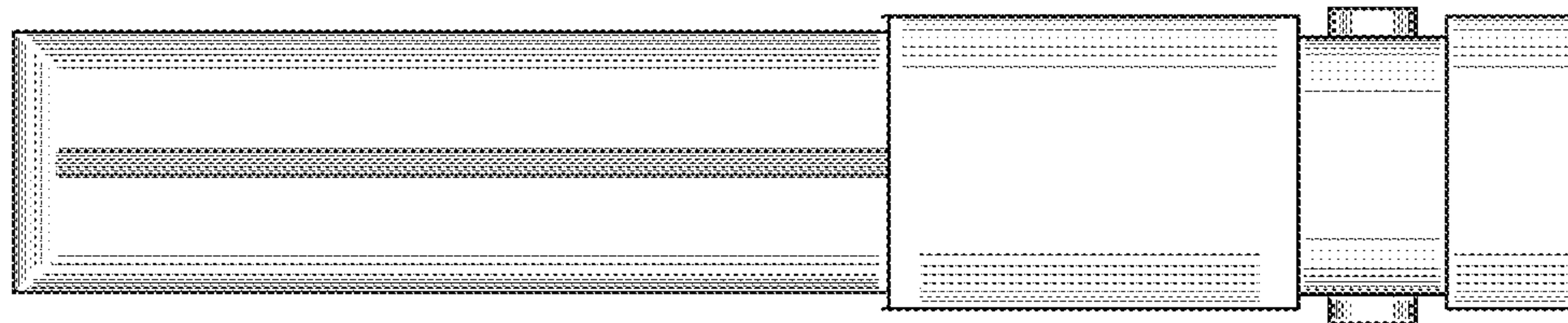


FIG. 4

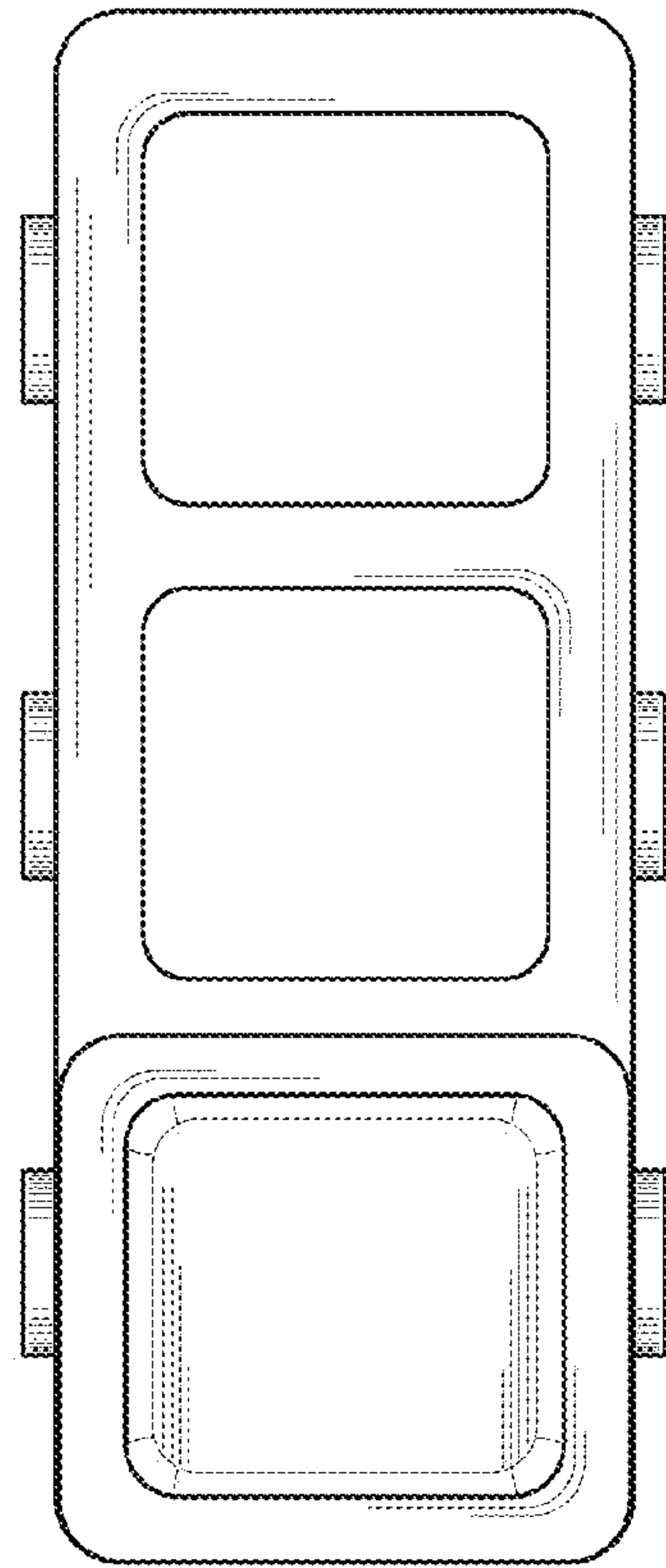


FIG. 5

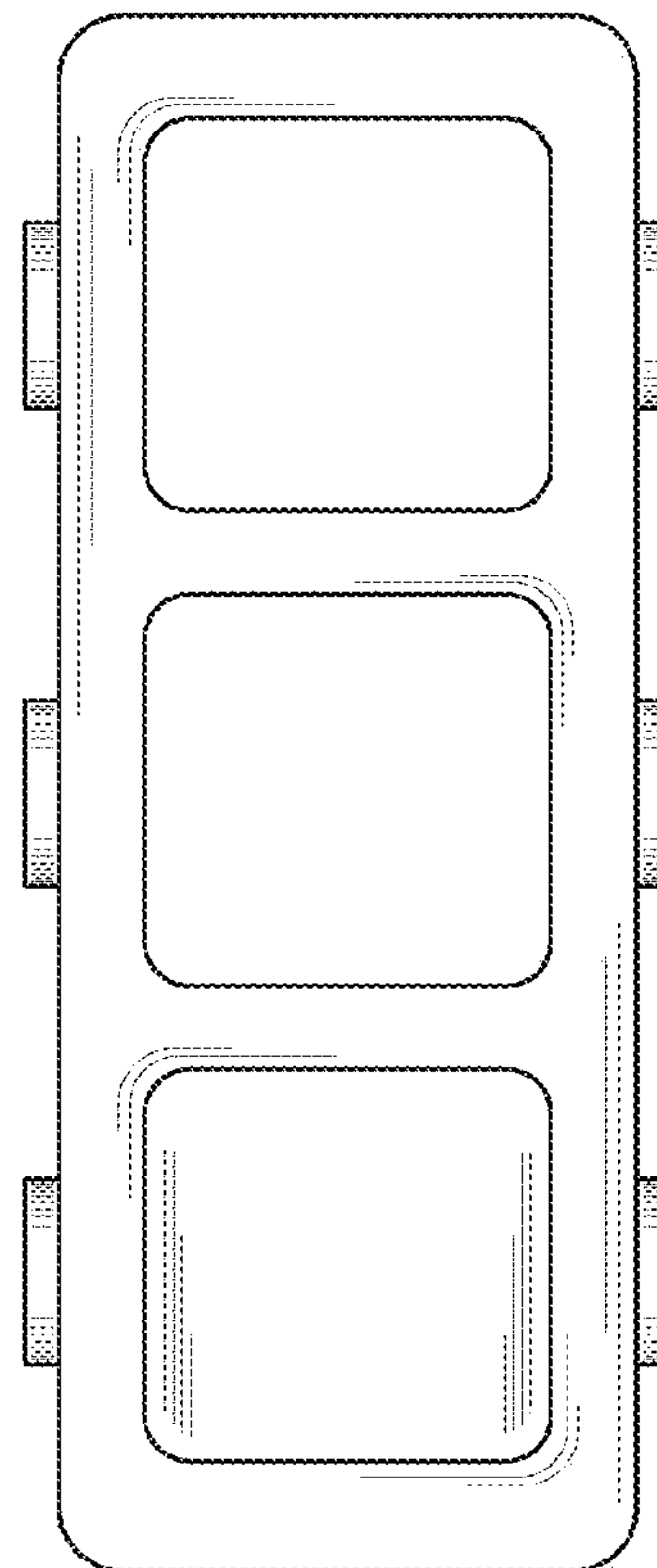


FIG. 6