



US00D697836S

(12) **United States Design Patent**
Edmonds et al.

(10) **Patent No.:** **US D697,836 S**
(45) **Date of Patent:** **** Jan. 21, 2014**

(54) **BICYCLE FRAME**

(71) Applicants: **Bryce W. Edmonds**, Los Angeles, CA (US); **Jason W. Cave**, Redondo Beach, CA (US)

(72) Inventors: **Bryce W. Edmonds**, Los Angeles, CA (US); **Jason W. Cave**, Redondo Beach, CA (US)

(73) Assignee: **The Recycle Cycles LLC**, Redondo Beach, CA (US)

(**) Term: **14 Years**

(21) Appl. No.: **29/449,143**

(22) Filed: **Mar. 14, 2013**

(51) **LOC (10) Cl.** **12-11**

(52) **U.S. Cl.**
USPC **D12/111**

(58) **Field of Classification Search**
USPC D12/111, 117; 280/274–280, 281.1, 280/283–288, 288.3, 288.1–288.2, 288.4
See application file for complete search history.

(56) **References Cited**

U.S. PATENT DOCUMENTS

D26,898 S * 4/1897 Carroll D12/111
D104,141 S * 4/1937 Henry D12/111

5,397,146 A * 3/1995 Fischer 280/288.4
7,591,475 B1 * 9/2009 Calfee 280/284
2009/0026728 A1 * 1/2009 Domahidy 280/284

* cited by examiner

Primary Examiner — Susan M Lee

Assistant Examiner — Linda Brooks

(74) *Attorney, Agent, or Firm* — Blank Rome LLP

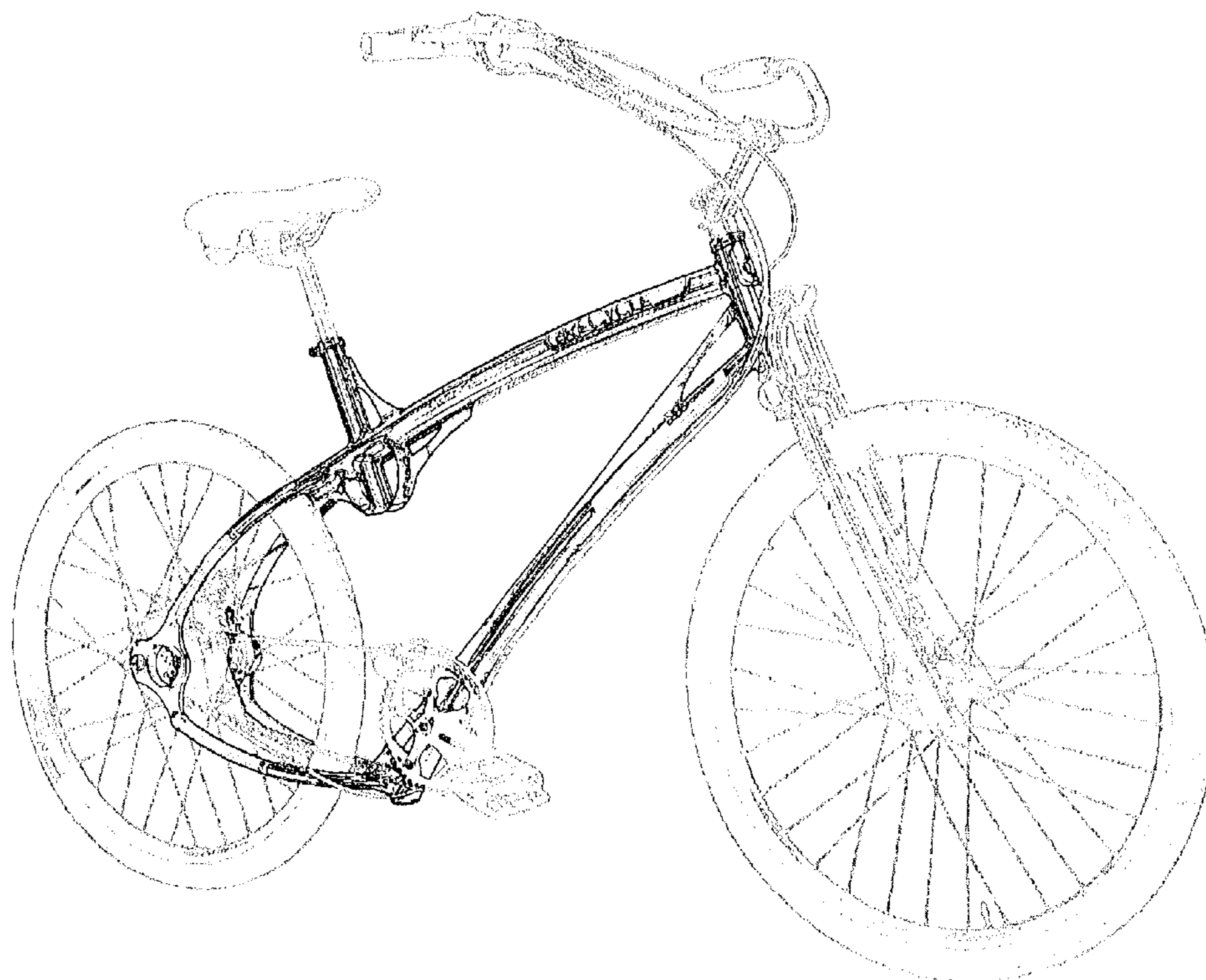
(57) **CLAIM**

The ornamental design for a bicycle frame, as shown and described.

DESCRIPTION

FIGS. 1 and 2 are perspective views of a first embodiment of a bicycle frame (cruiser bike) of my design;
FIG. 3 is a front view thereof;
FIG. 4 is a rear view thereof;
FIG. 5 is a top view thereof;
FIG. 6 is a bottom view thereof;
FIG. 7 is a left-side view thereof; and,
FIG. 8 is a right-side view thereof.

1 Claim, 6 Drawing Sheets



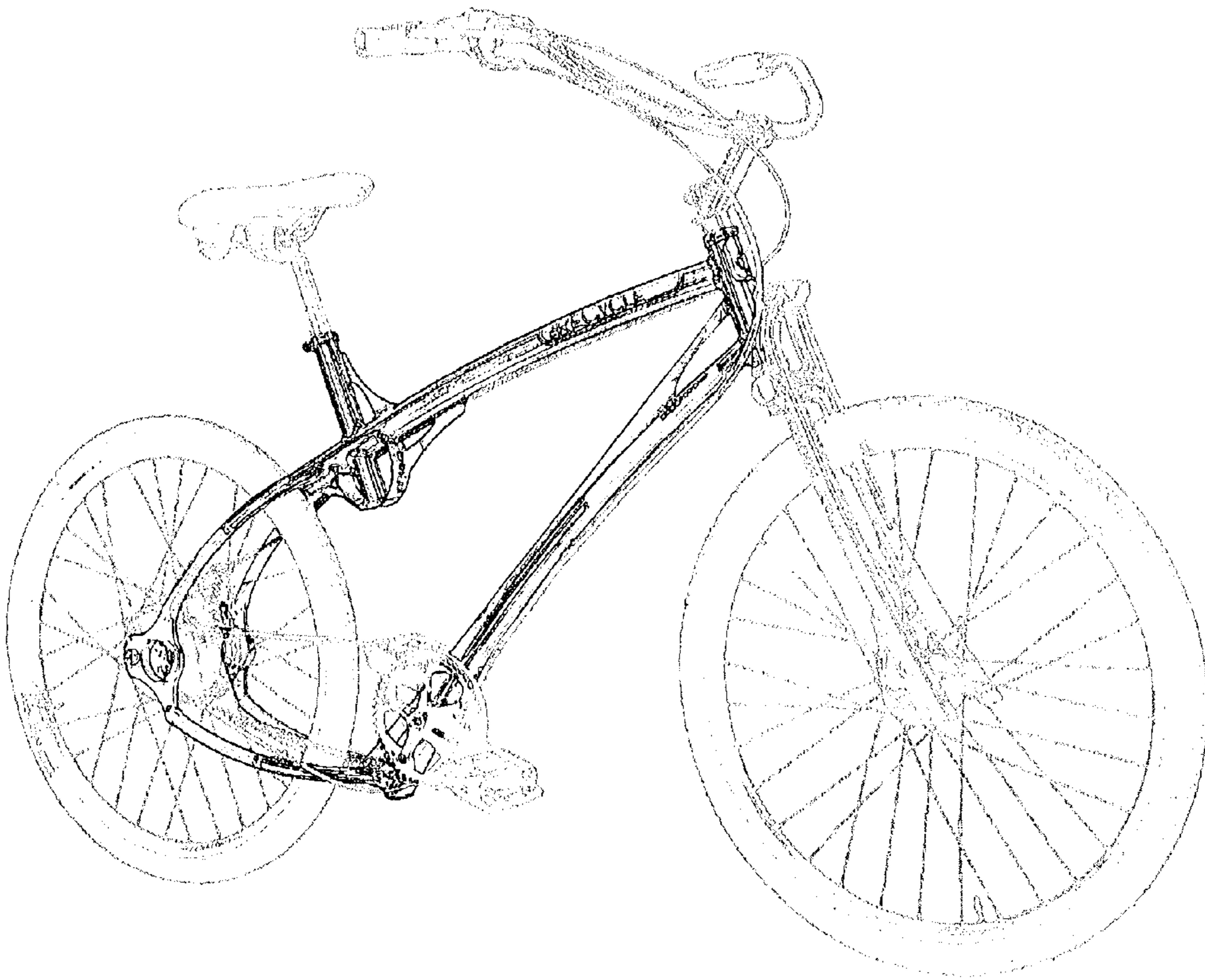


Figure 1

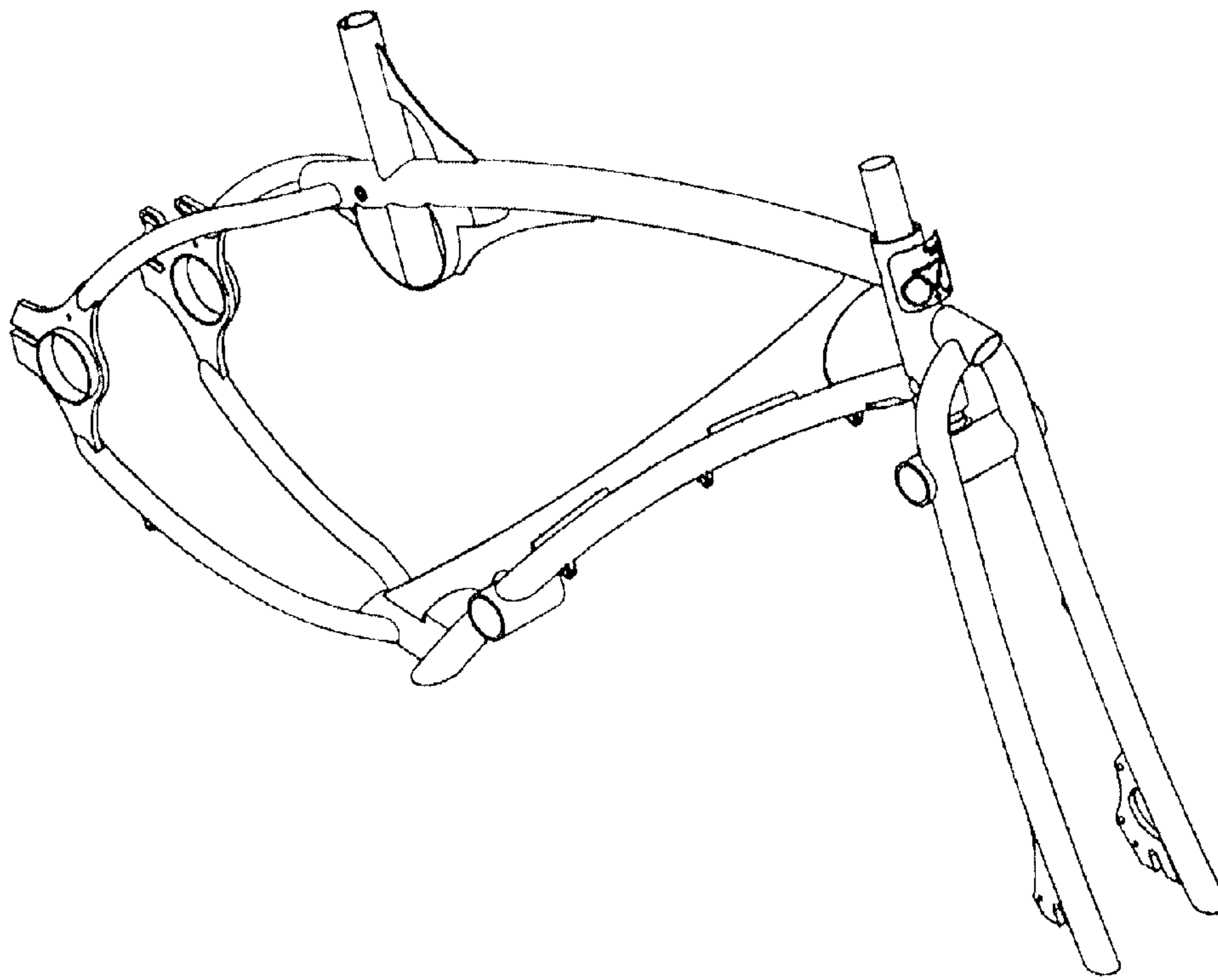


Figure 2

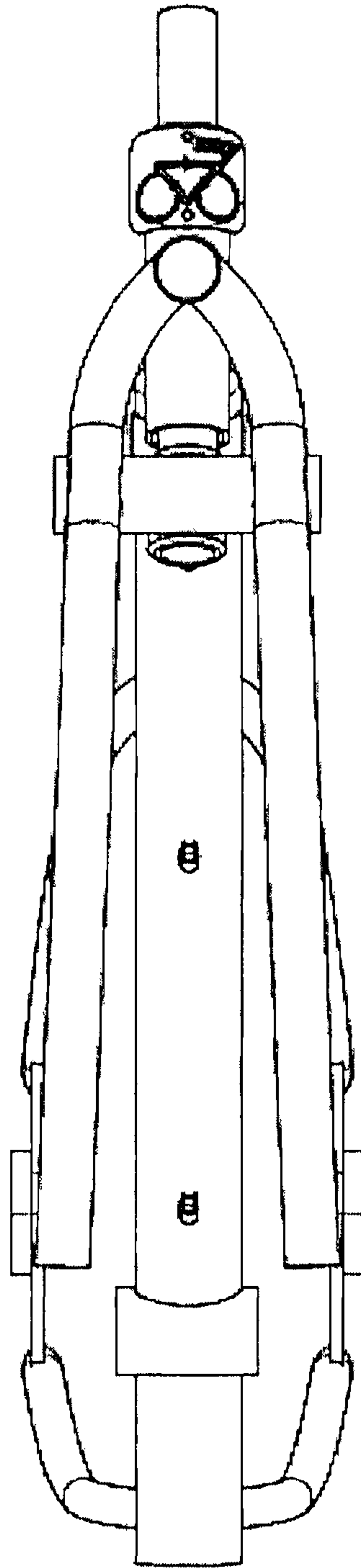


Figure 3

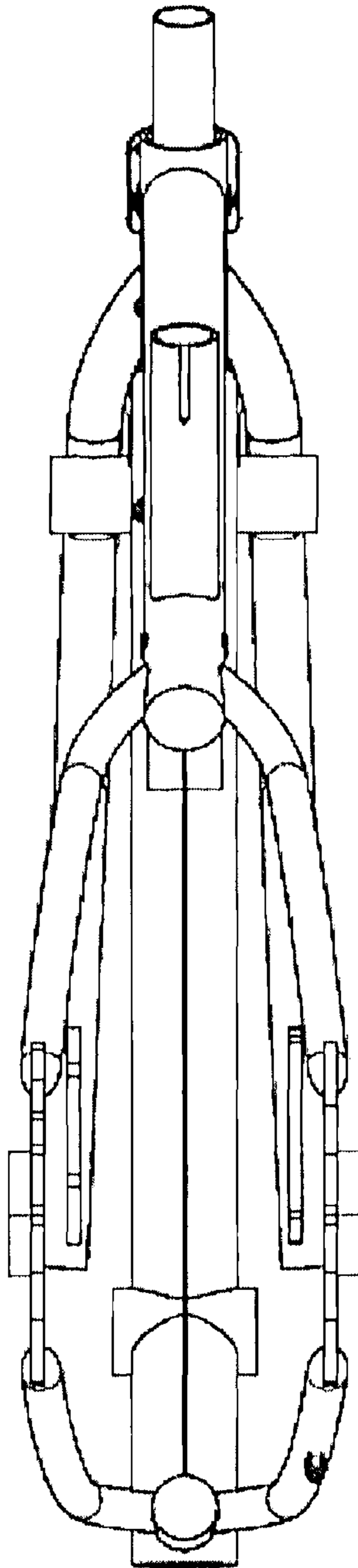


Figure 4

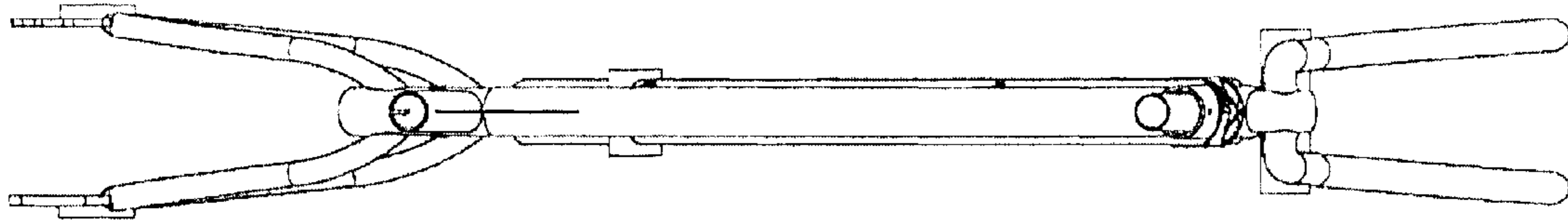


Figure 5

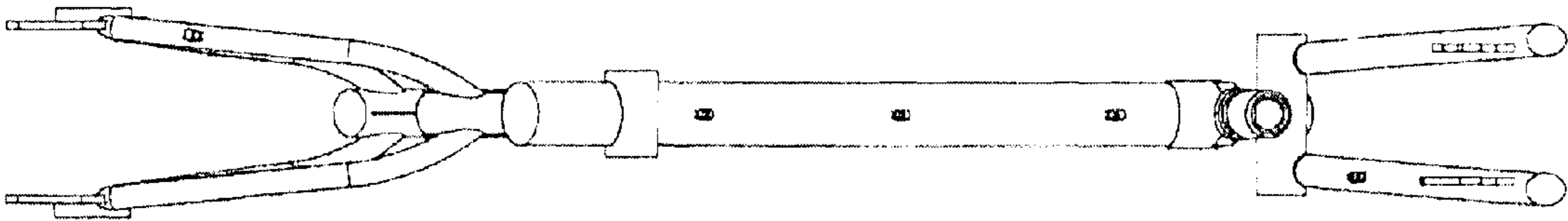


Figure 6

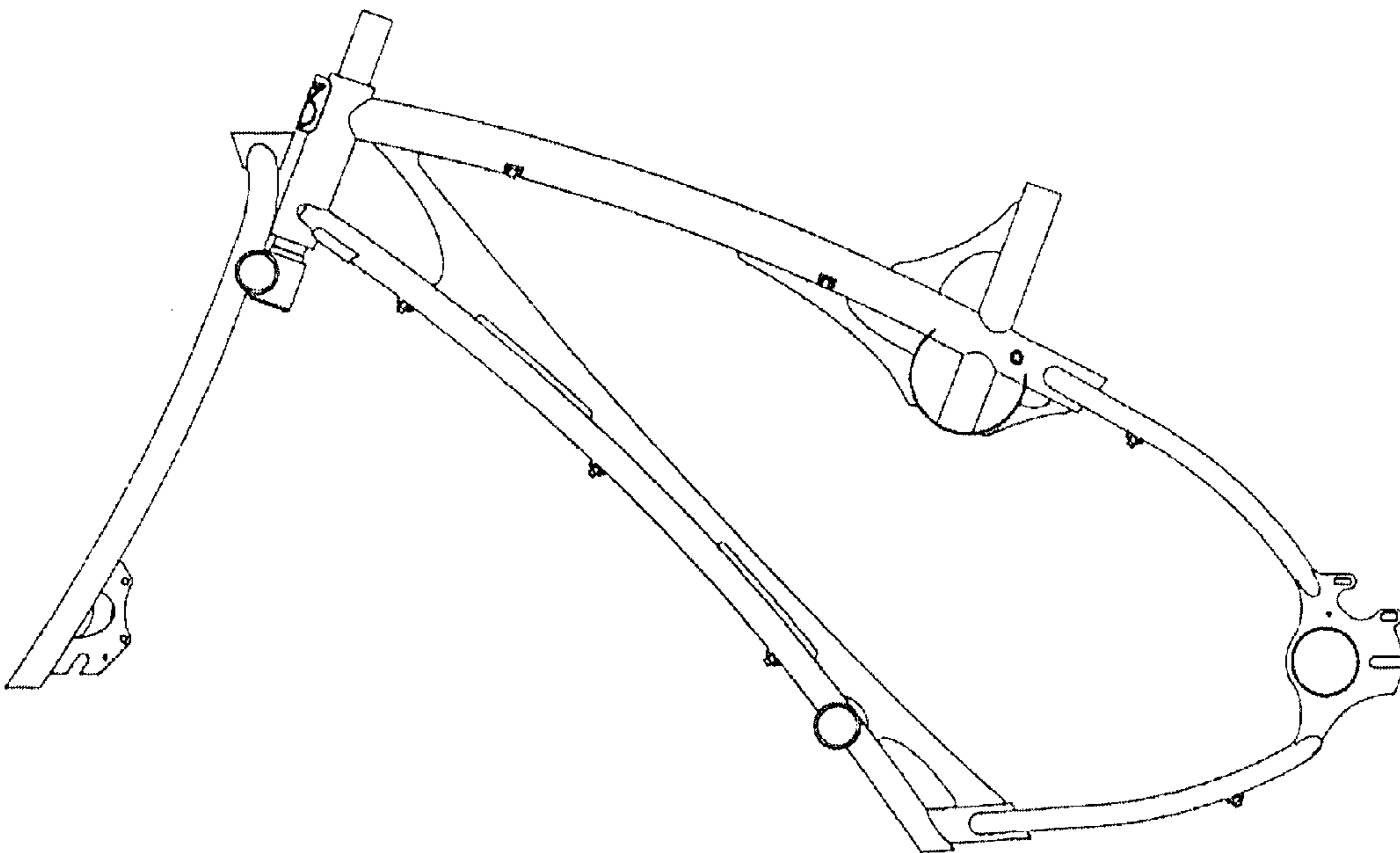


Figure 7

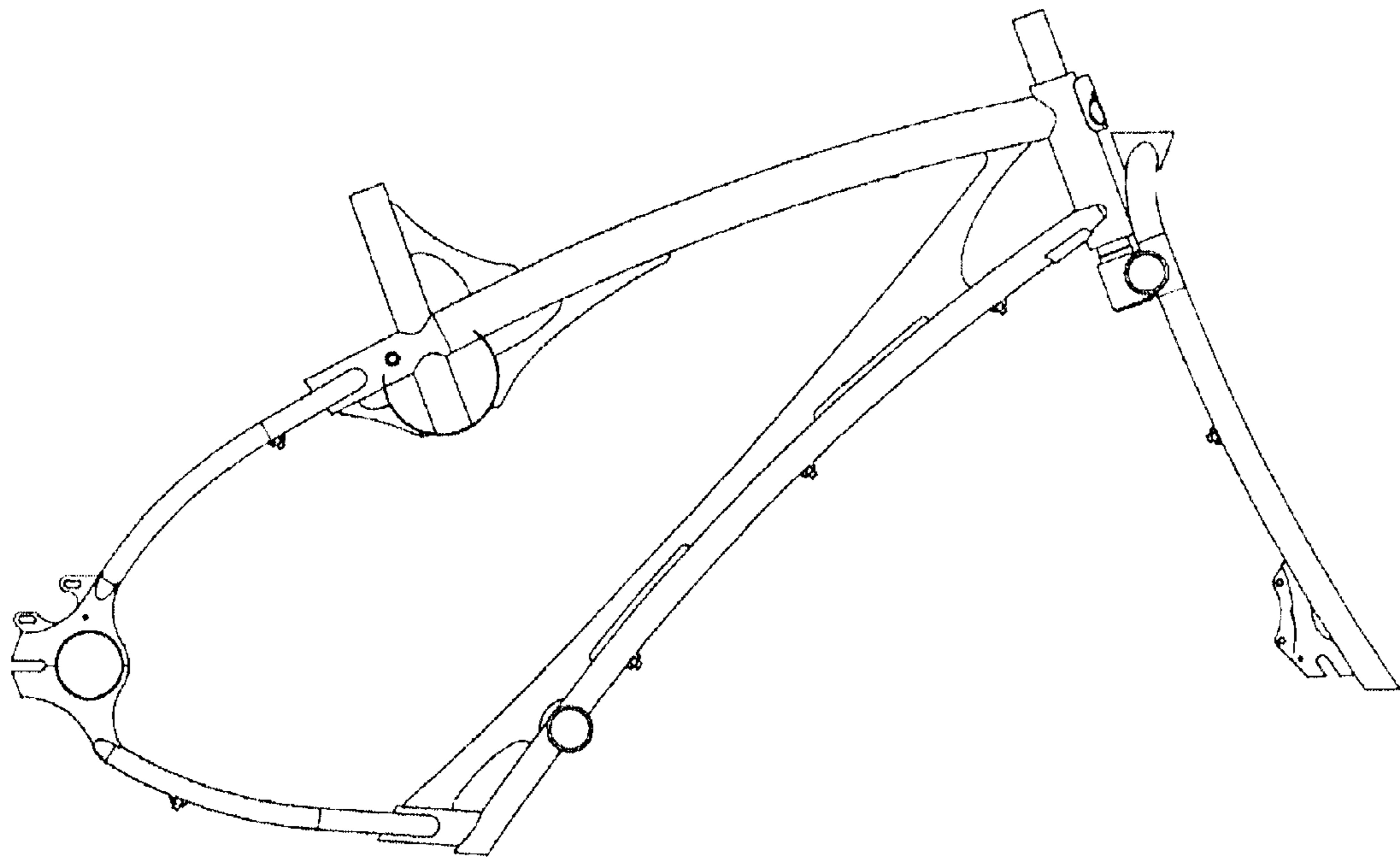


Figure 8