



US00D697834S

(12) **United States Design Patent**
Okue et al.

(10) **Patent No.:** **US D697,834 S**
(45) **Date of Patent:** **** Jan. 21, 2014**

- (54) **MOTOR VEHICLE AND/OR TOY REPLICA THEREOF**
- (75) Inventors: **Masaki Okue**, Toyota (JP); **Akira Kubota**, Toyota (JP); **Hideki Hayashi**, Toyota (JP); **Takuya Watabe**, Toyota (JP)
- (73) Assignee: **Toyota Jidosha Kabushiki Kaisha** (JP)
- (**) Term: **14 Years**
- (21) Appl. No.: **29/429,203**
- (22) Filed: **Aug. 8, 2012**
- (51) **LOC (10) Cl.** **12-08**
- (52) **U.S. Cl.**
USPC **D12/91**
- (58) **Field of Classification Search**
USPC D12/86, 90-92; D21/424, 433, 434;
296/181.1, 181.5
See application file for complete search history.

http://www.netcarshow.co/nissan/2010-qashqai/800x600/wallpaper_1c.htm available in 2011.
Mitsubishi, Mitsubishi Outlander SE, Netcarshow.com, http://netcarshow.com/mitsubishi/2008-outlander_se/800x600/wallpaper_03.htm, http://netcarshow.com/mitsubishi/2008-outlander_se/800x600/wallpaper_0b.htm, available in 2009.

* cited by examiner

Primary Examiner — Melody Brown
(74) *Attorney, Agent, or Firm* — SAIDMAN DesignLaw Group

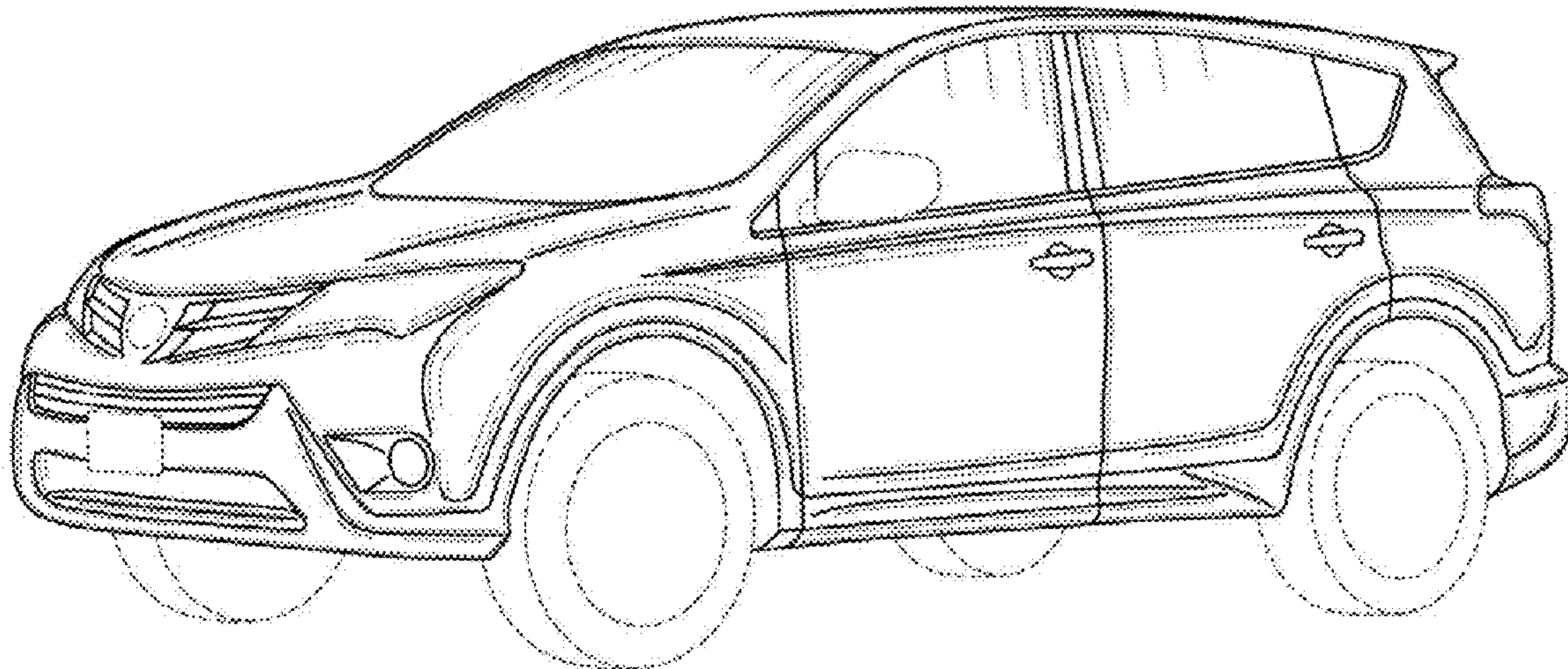
(57) **CLAIM**
The ornamental design for a motor vehicle and/or toy replica thereof, as shown and described.

DESCRIPTION

FIG. 1 is a front perspective view of a motor vehicle and/or toy replica thereof showing our new design;
FIG. 2 is a rear perspective view thereof;
FIG. 3 is a front view thereof;
FIG. 4 is a rear view thereof;
FIG. 5 is a right side view thereof, the left side view being a mirror image; and,
FIG. 6 is a top view thereof.
The broken lines illustrate portions of the motor vehicle and/or toy replica thereof and form no part of the claimed design.

- (56) **References Cited**
- U.S. PATENT DOCUMENTS
- D672,688 S * 12/2012 Kubota et al. D12/91
- D673,483 S * 1/2013 Yamada et al. D12/91
- D686,949 S * 7/2013 Minami D12/91
- OTHER PUBLICATIONS
- Nissan, Nissan Qashqai 2010, Netcarshow.com, http://www.netcarshow.co/nissan/2010-qashqai/800x600/wallpaper_01.htm,

1 Claim, 3 Drawing Sheets



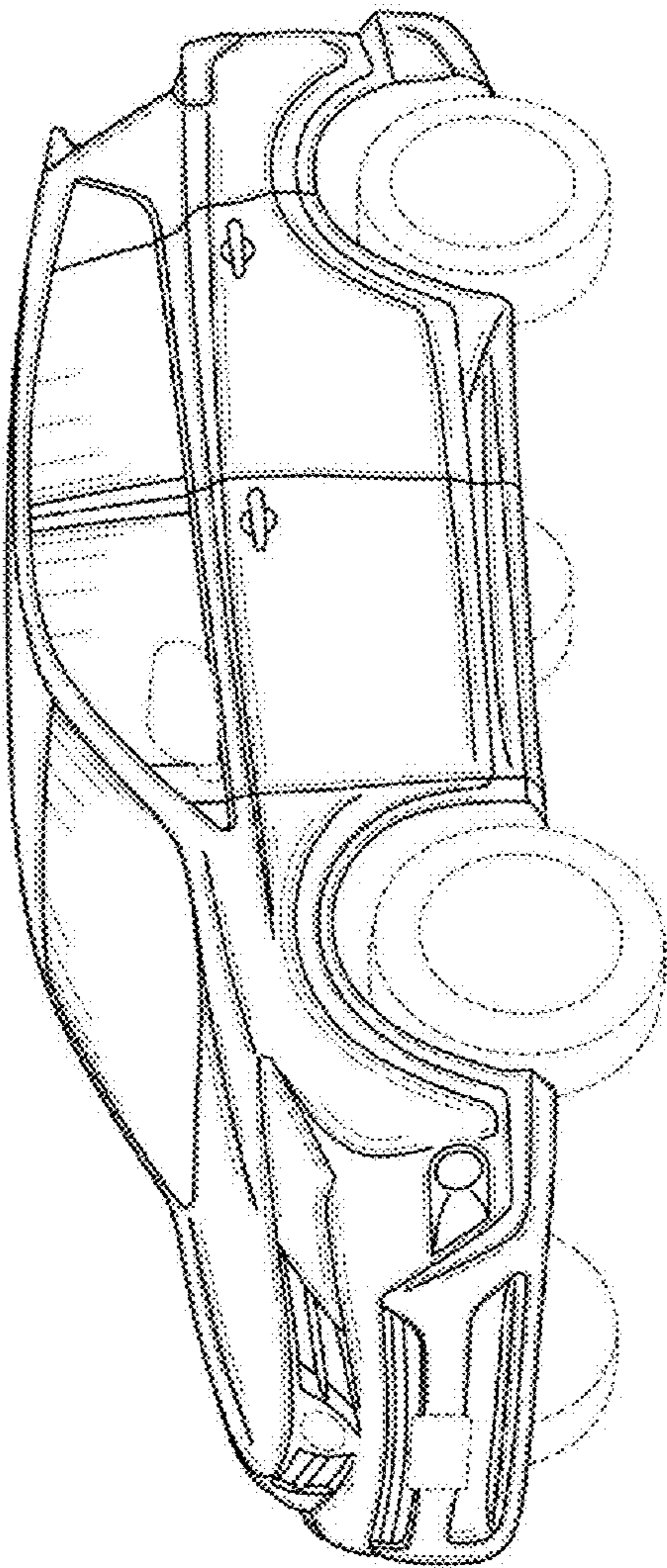


FIG. 1

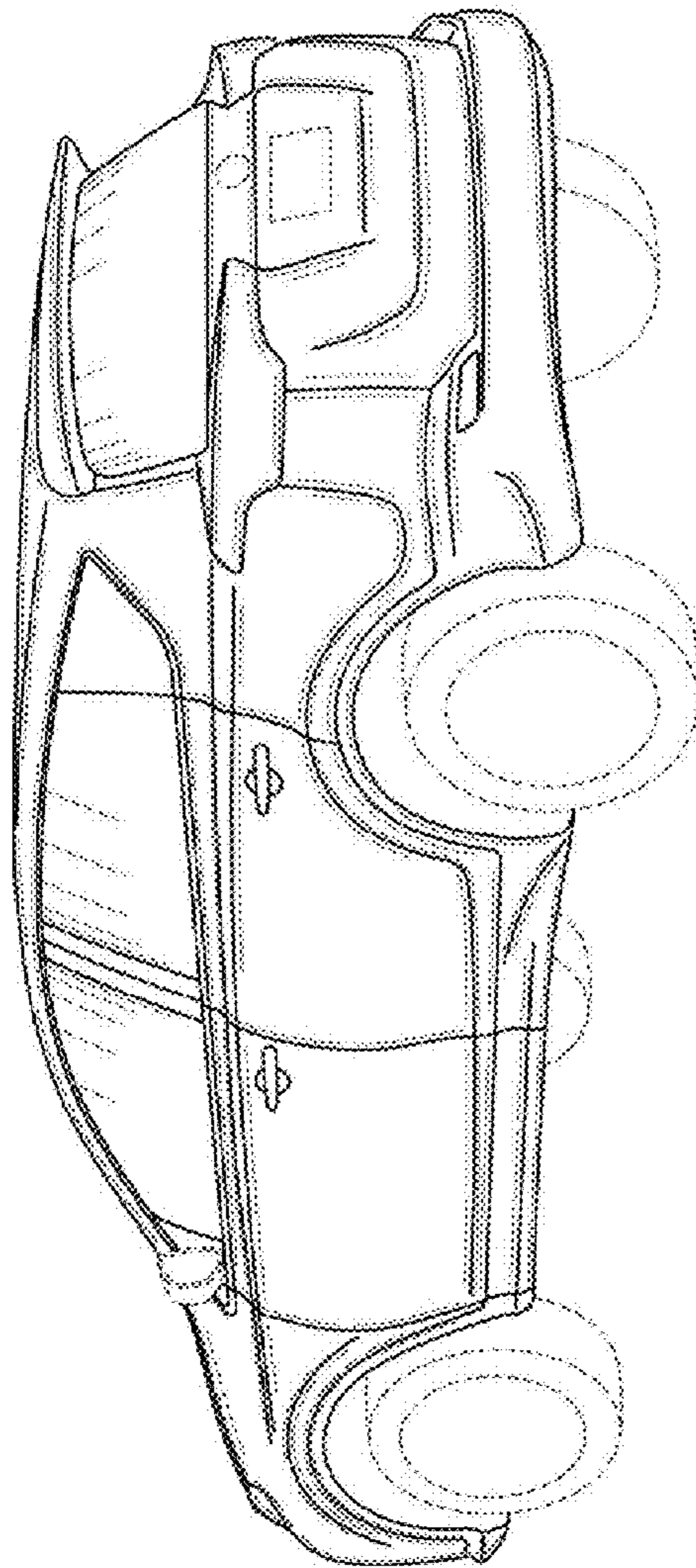


FIG. 2

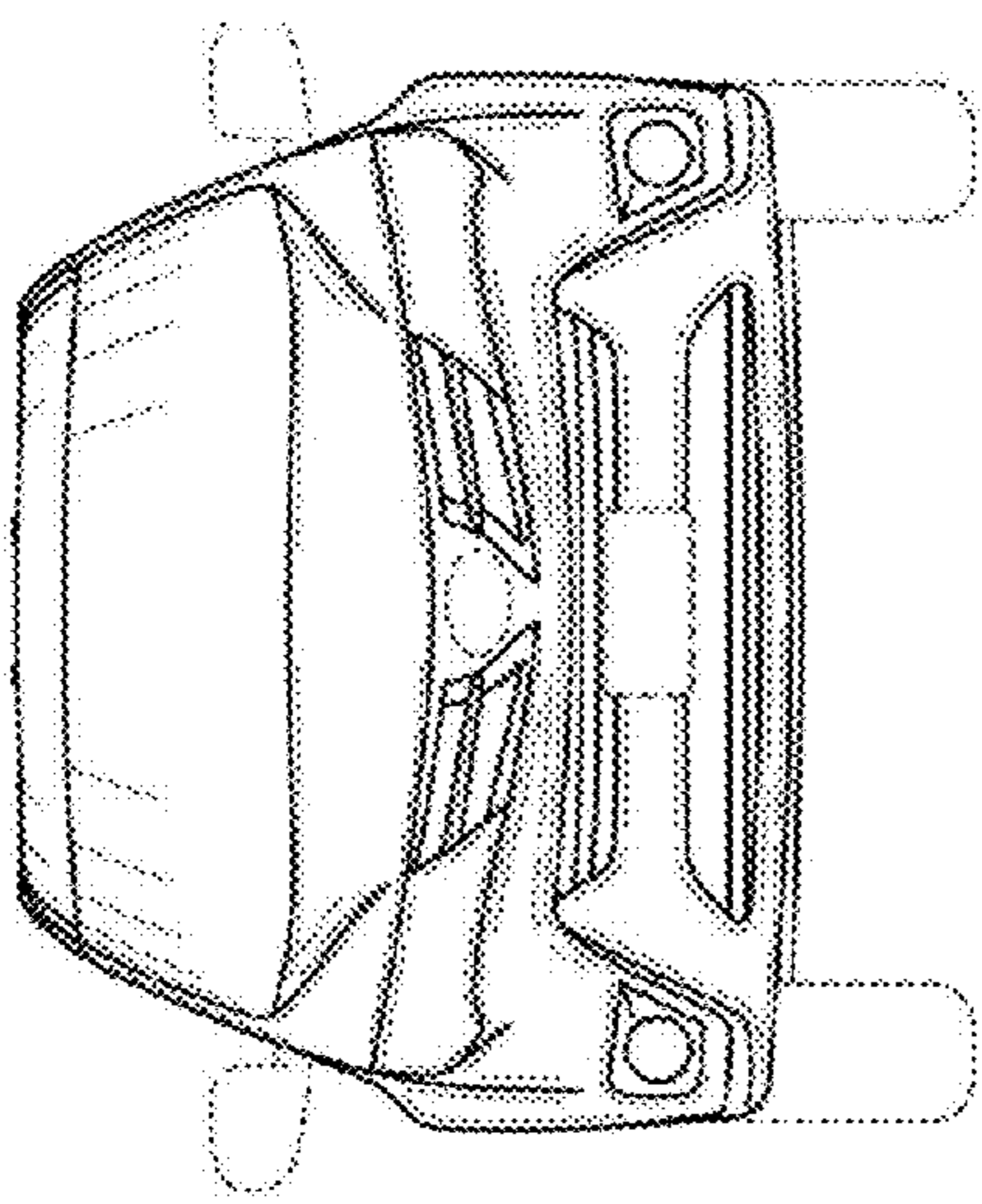


FIG. 3

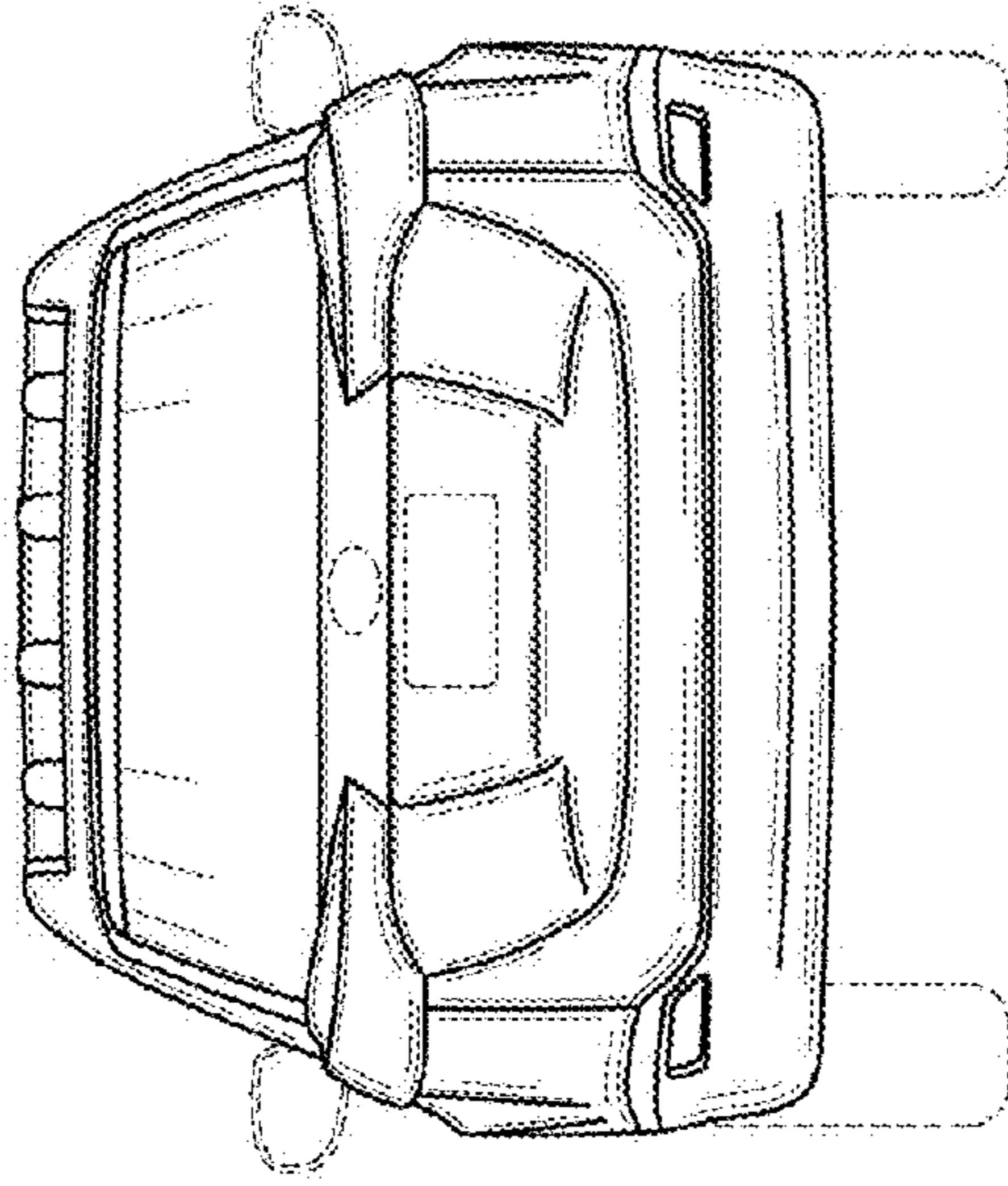


FIG. 4

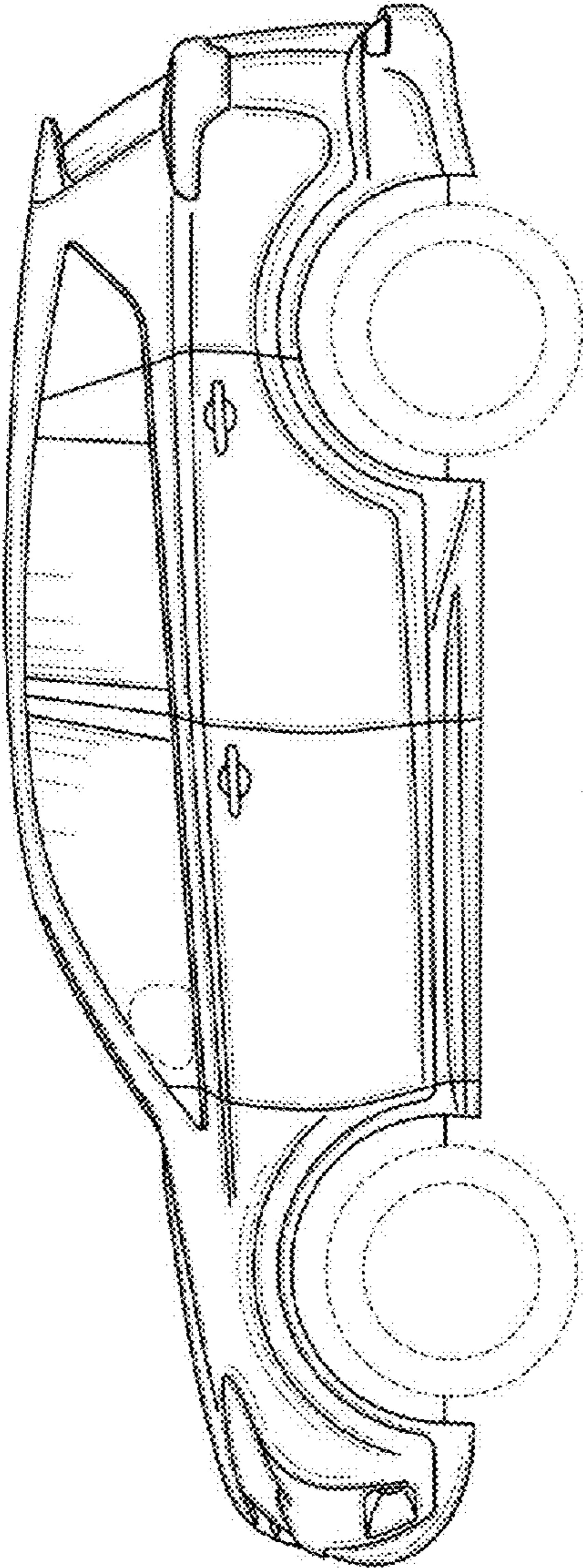


FIG. 5

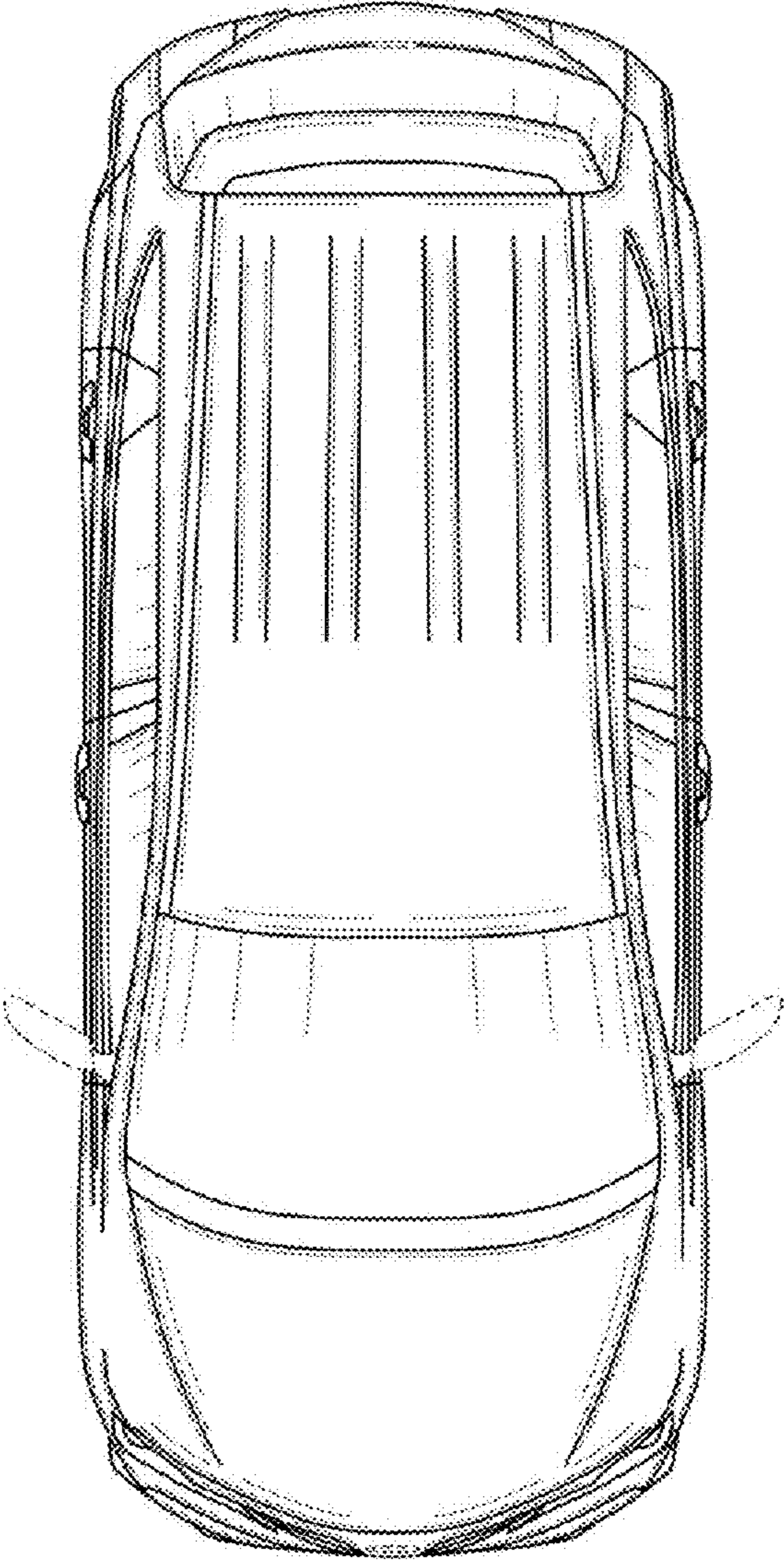


FIG. 6