



US00D697828S

(12) **United States Design Patent**
Sayegh et al.

(10) **Patent No.:** **US D697,828 S**
(45) **Date of Patent:** **** Jan. 21, 2014**

(54) **ELECTRONIC ARTICLE SURVEILLANCE APPARATUS WITH LANYARD**

(71) Applicants: **Adel O. Sayegh**, Rancho Cucamonga, CA (US); **Edgardo M. Redublo**, Chino Hills, CA (US); **Jimin Xi**, Hangzhou (CN)

(72) Inventors: **Adel O. Sayegh**, Rancho Cucamonga, CA (US); **Edgardo M. Redublo**, Chino Hills, CA (US); **Jimin Xi**, Hangzhou (CN)

(73) Assignee: **USS Technologies, LLC**, Rancho Cucamonga, CA (US)

(**) Term: **14 Years**

(21) Appl. No.: **29/434,402**

(22) Filed: **Oct. 12, 2012**

(51) **LOC (10) Cl.** **10-05**

(52) **U.S. Cl.**
USPC **D10/106.94**

(58) **Field of Classification Search**
USPC D10/106.9-10.94; 70/57.1
See application file for complete search history.

(56) **References Cited**

U.S. PATENT DOCUMENTS

3,858,280 A 1/1975 Martens
3,911,534 A 10/1975 Martens et al.
D427,929 S 7/2000 Sayegh

D494,487 S 8/2004 Sayegh
D503,900 S 4/2005 Sayegh
D504,634 S 5/2005 Sayegh
D504,839 S * 5/2005 Sayegh D10/106.94
D505,349 S 5/2005 Sayegh
D505,350 S 5/2005 Sayegh
7,342,495 B2 3/2008 Sayegh
7,969,310 B2 6/2011 Sayegh

* cited by examiner

Primary Examiner — George D Kirschbaum

(74) *Attorney, Agent, or Firm* — Milord A. Keshishian

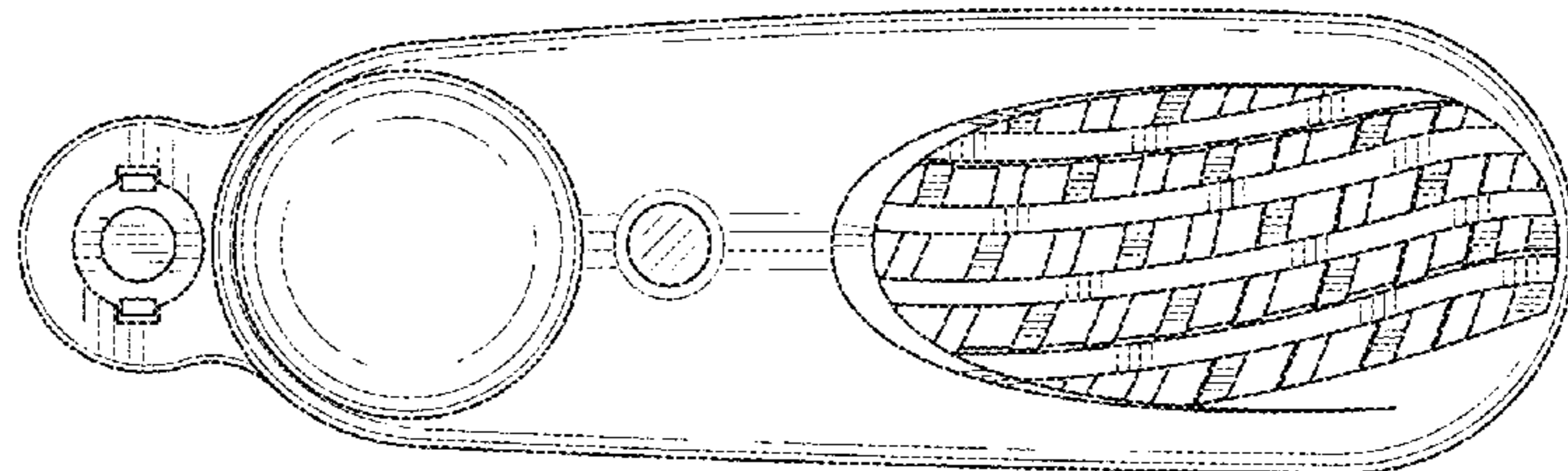
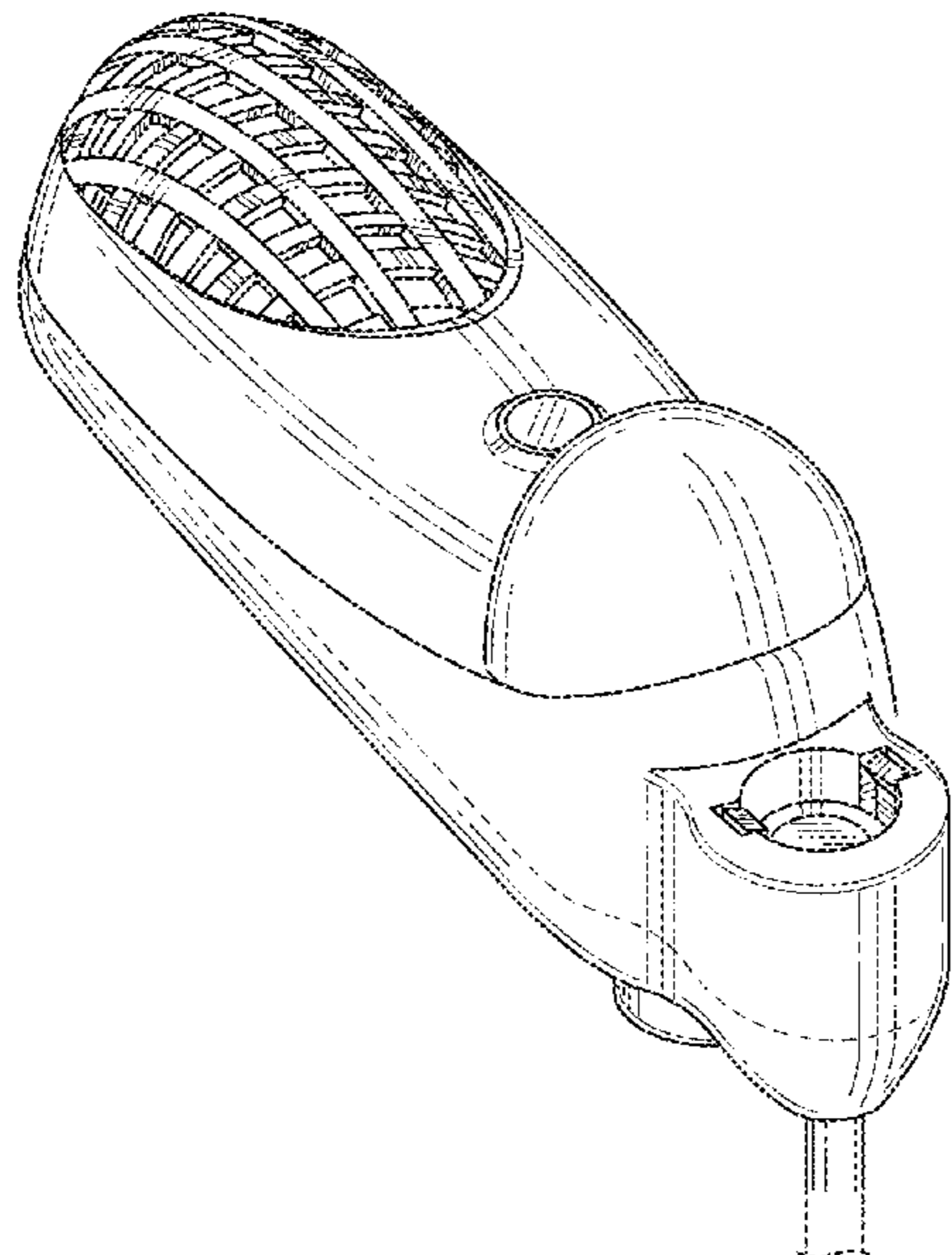
(57) **CLAIM**

The ornamental design for an electronic article surveillance apparatus with lanyard, as shown and described.

DESCRIPTION

FIG. 1 is a bottom perspective view of the electronic article surveillance apparatus with lanyard showing the design; FIG. 2 is a bottom plan view thereof; FIG. 3 is a top plan view thereof; FIG. 4 is a right side plan view thereof; FIG. 5 is a left side plan view thereof; FIG. 6 is a rear plan view thereof; FIG. 7 is a frontal plan view thereof; FIG. 8 is a bottom perspective view of said apparatus in an unengaged state; and, FIG. 9 is a bottom perspective view of said apparatus in an engaged state.
The broken lines shown in the drawings illustrate environmental matter, and form no part of the claimed design.

1 Claim, 6 Drawing Sheets



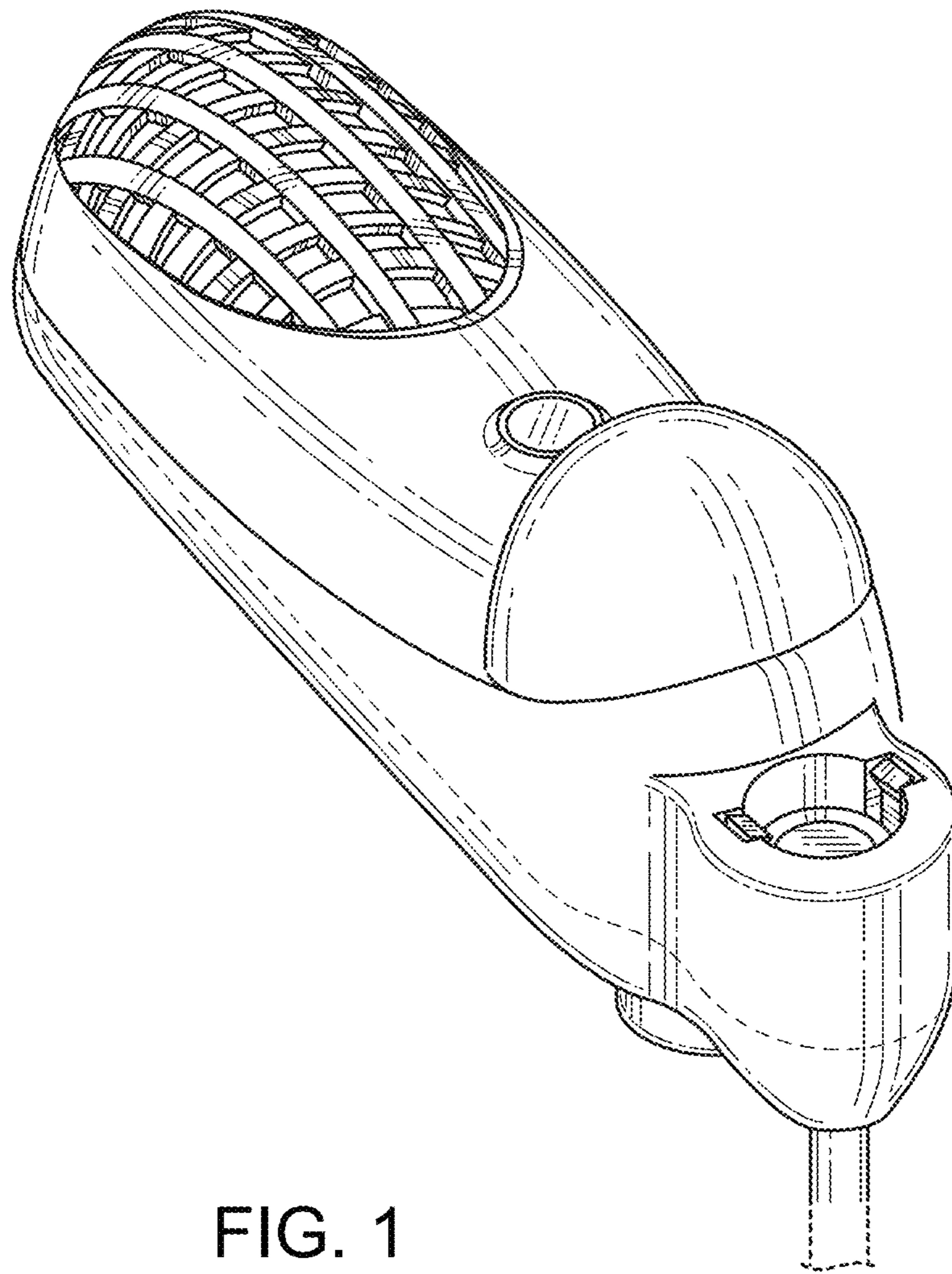


FIG. 1

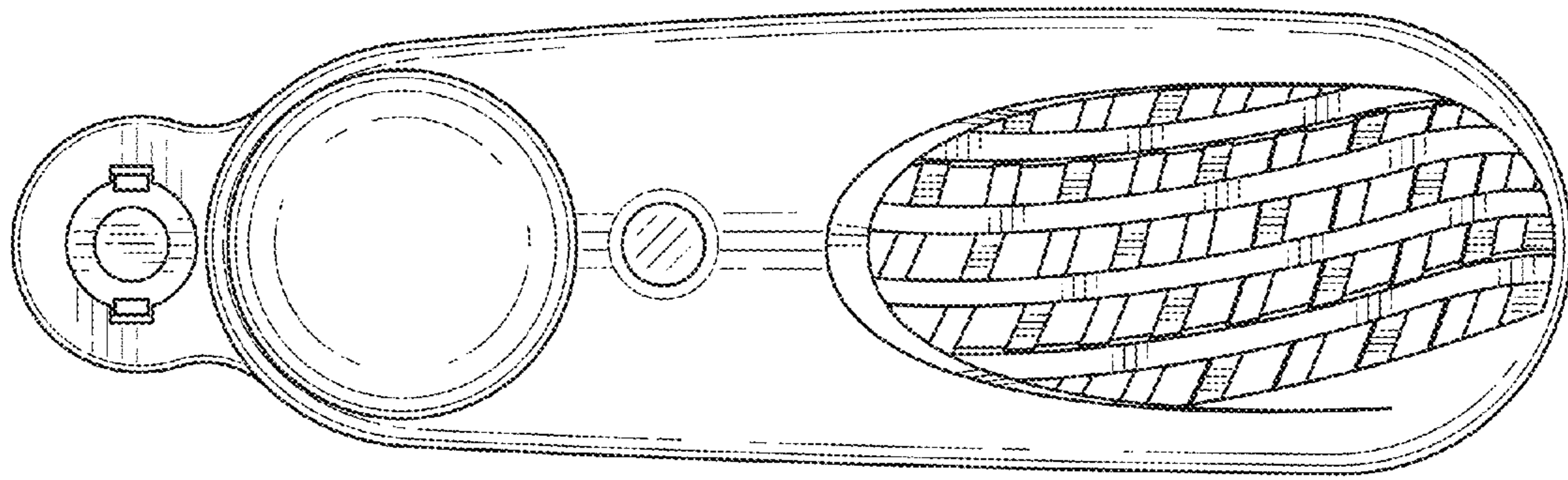


FIG. 2

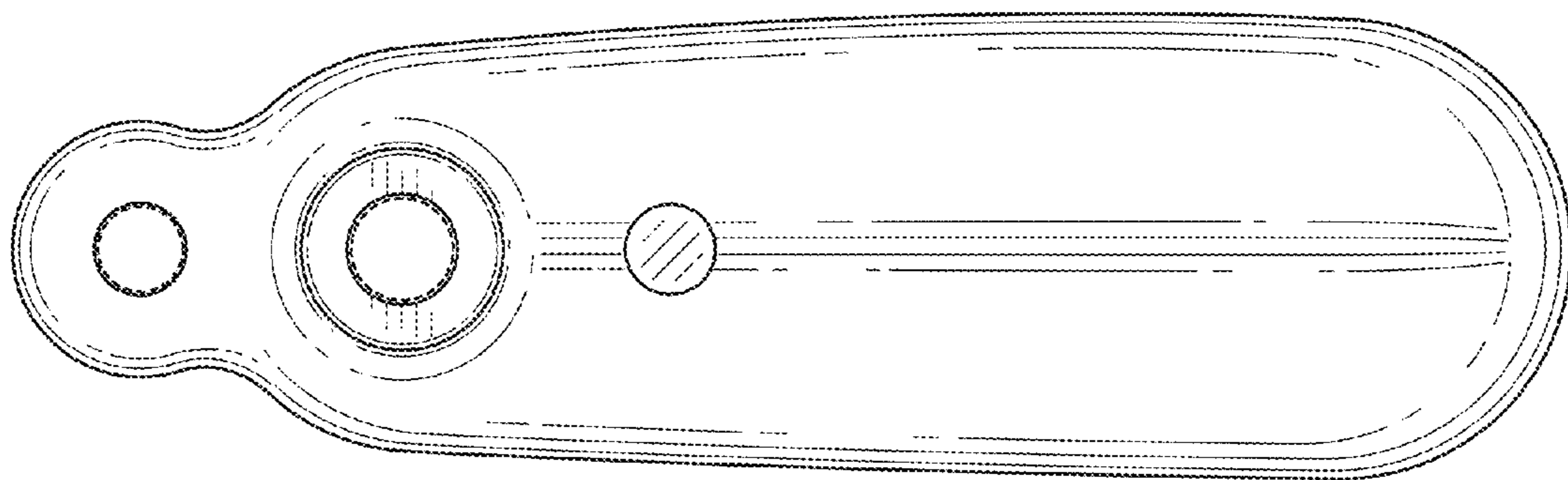


FIG. 3

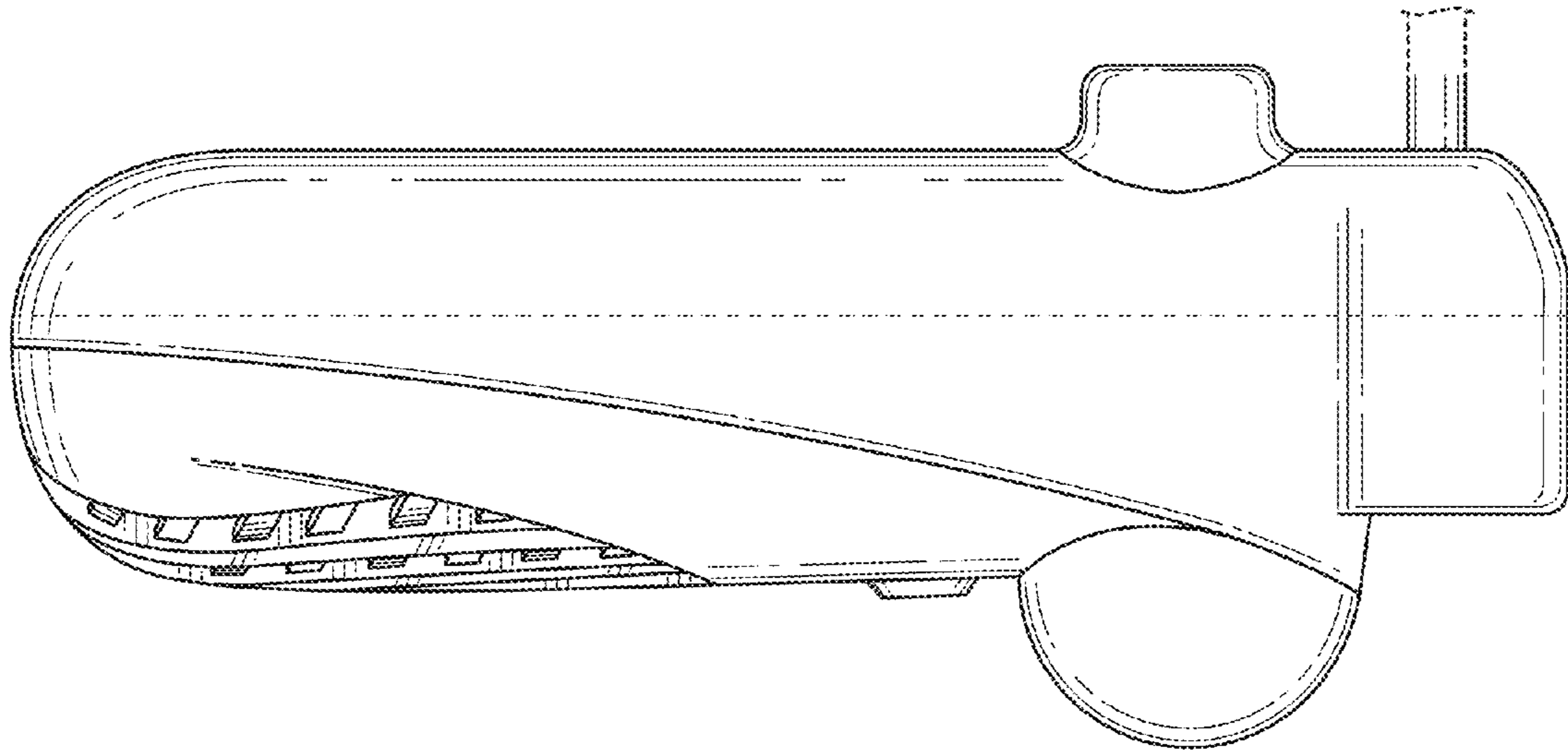


FIG. 4

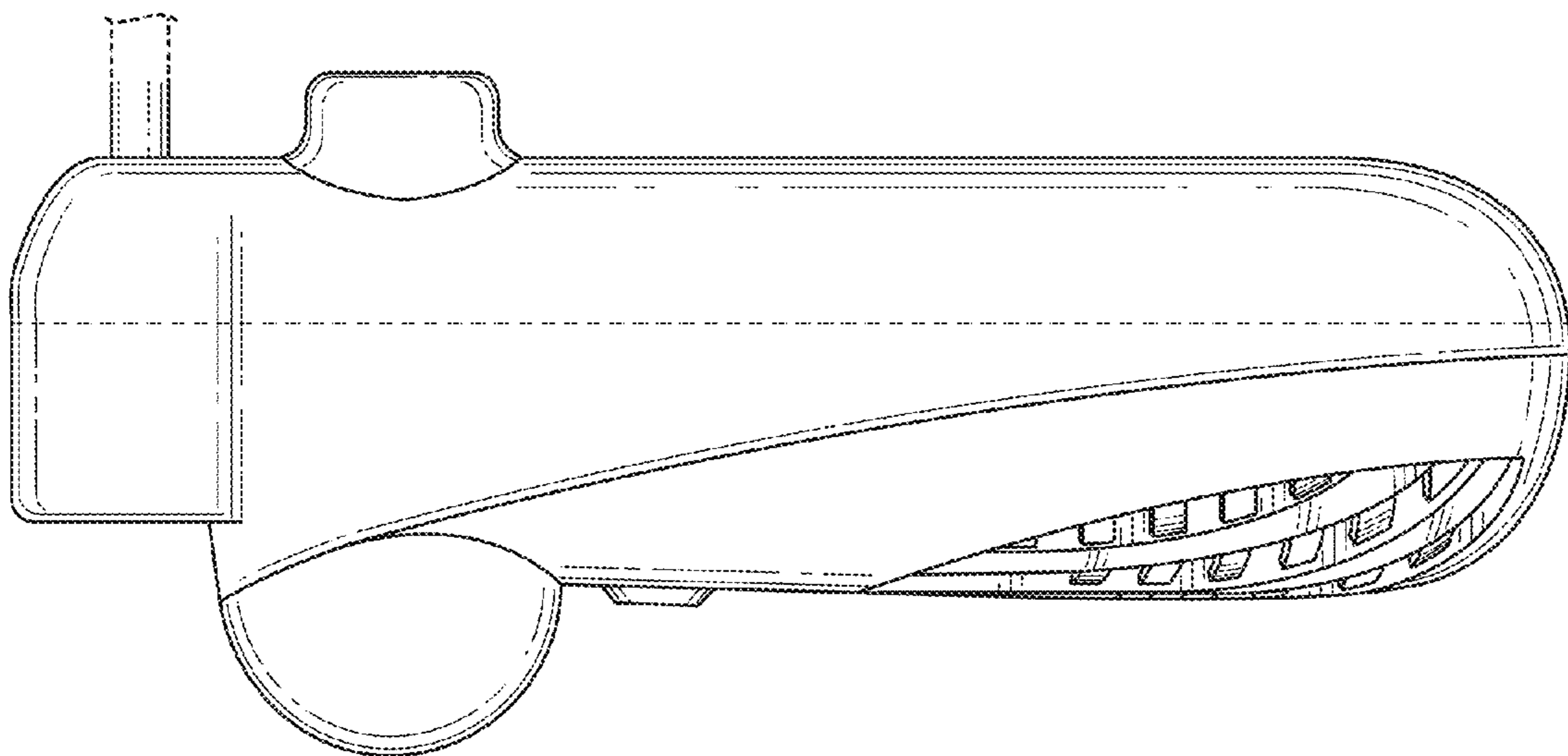


FIG. 5

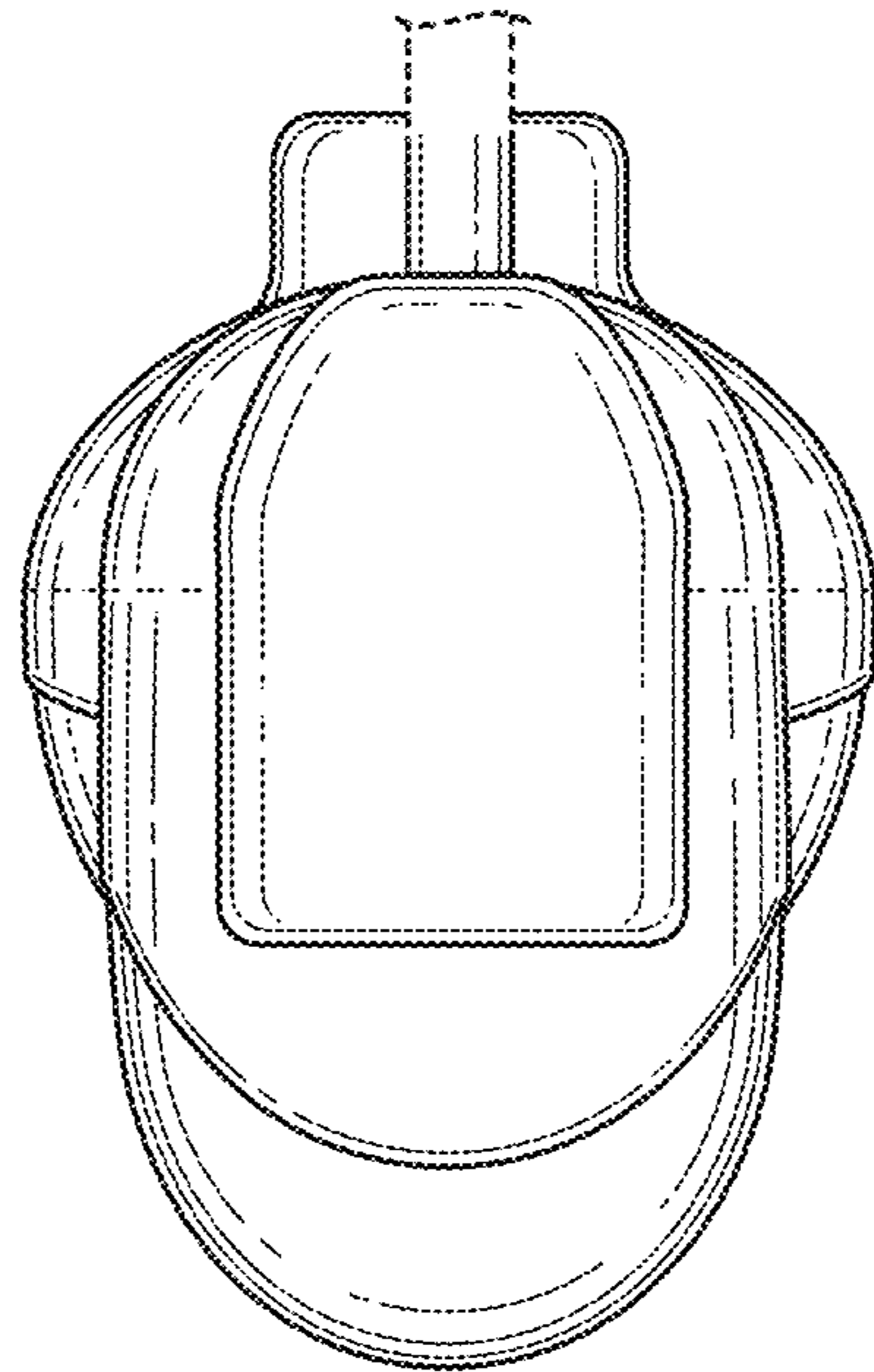


FIG. 6

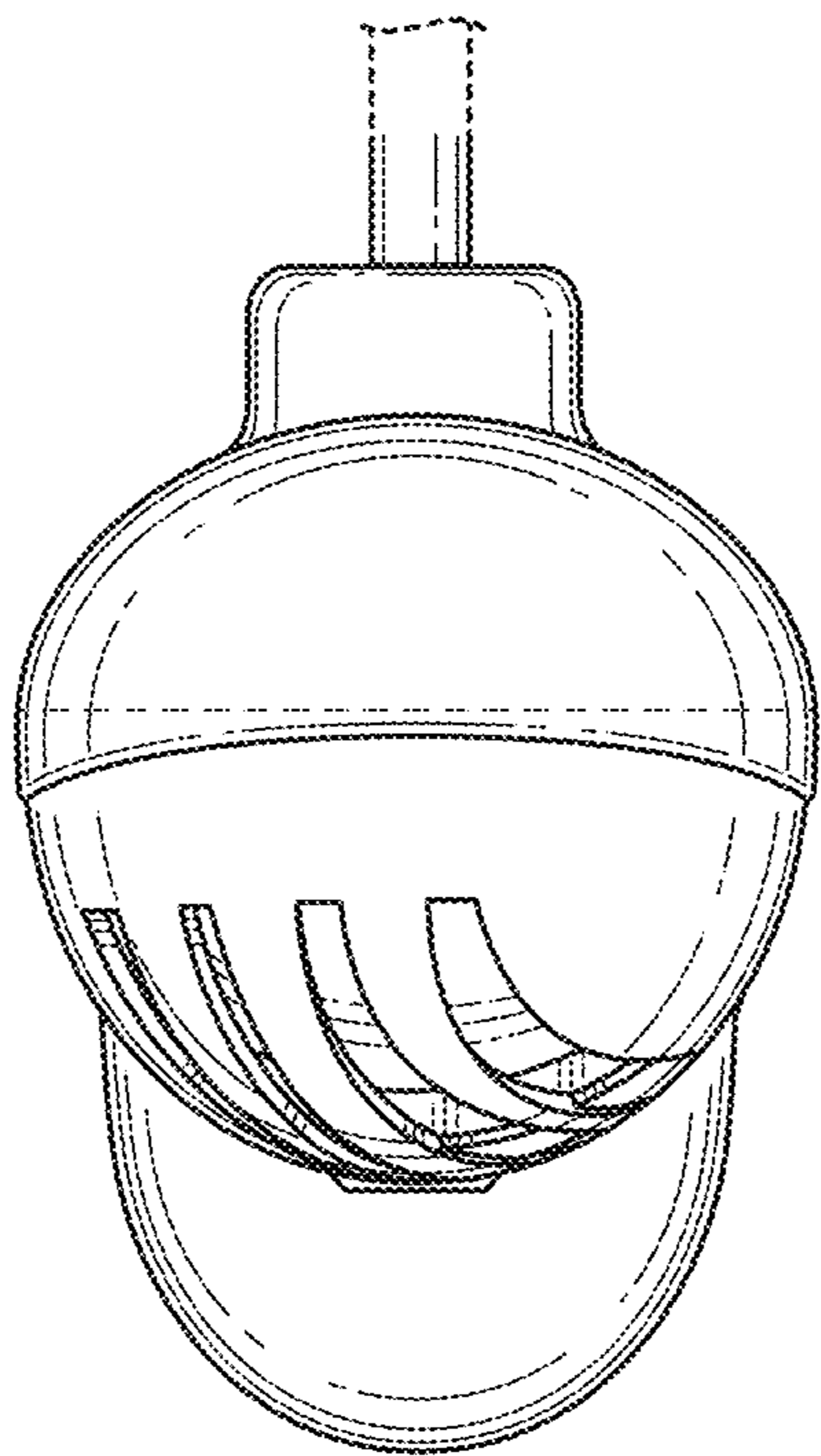


FIG. 7

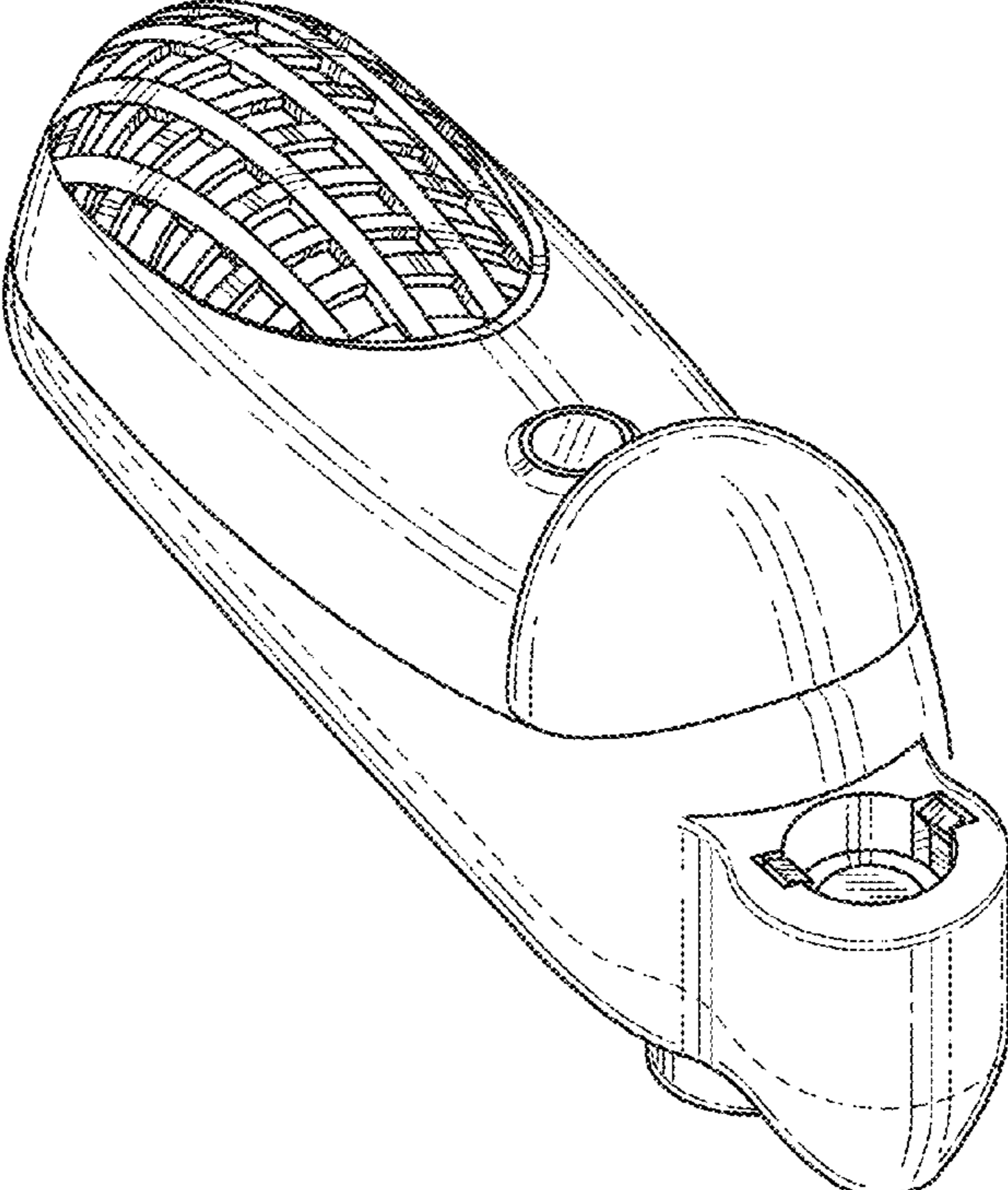
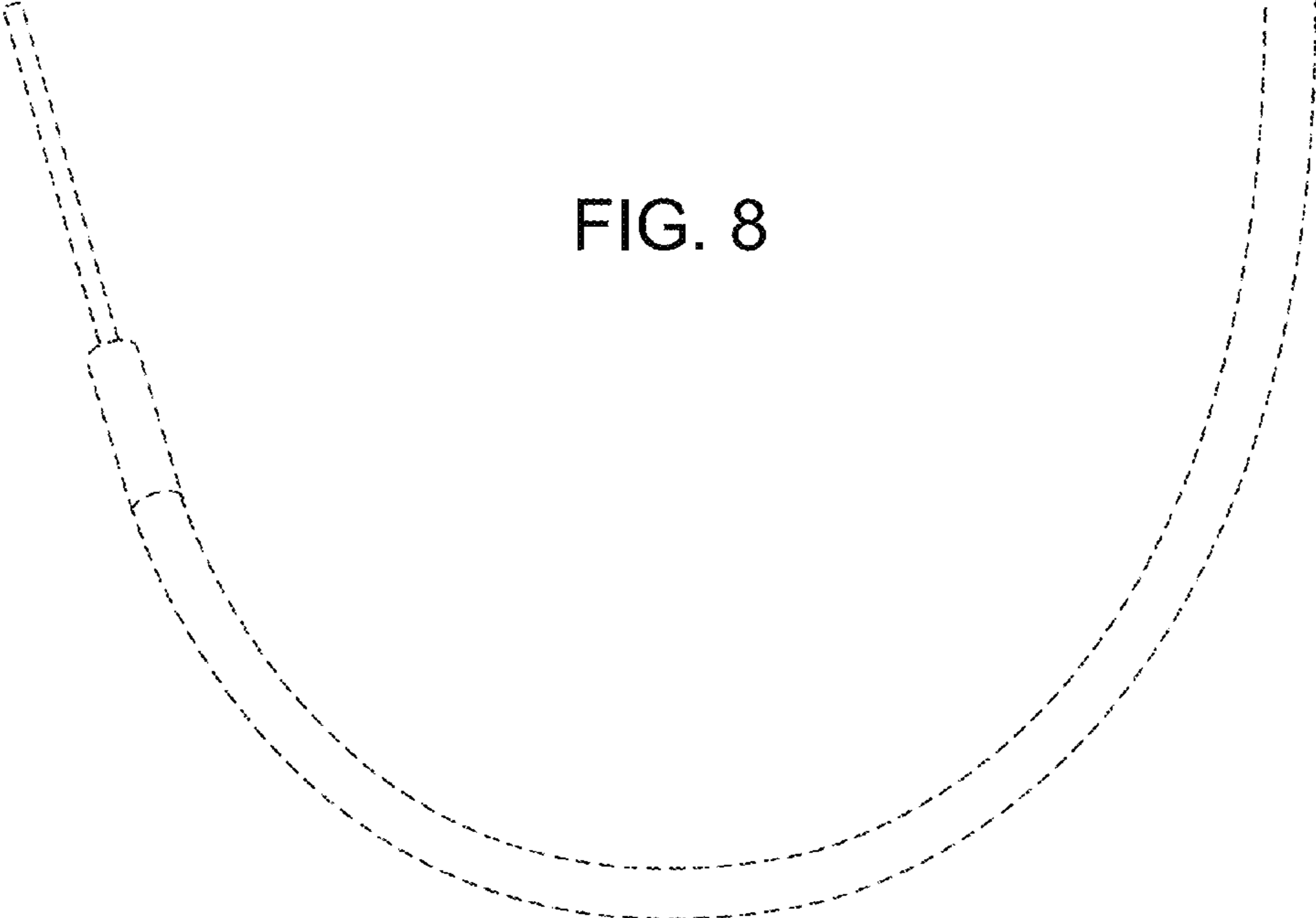


FIG. 8



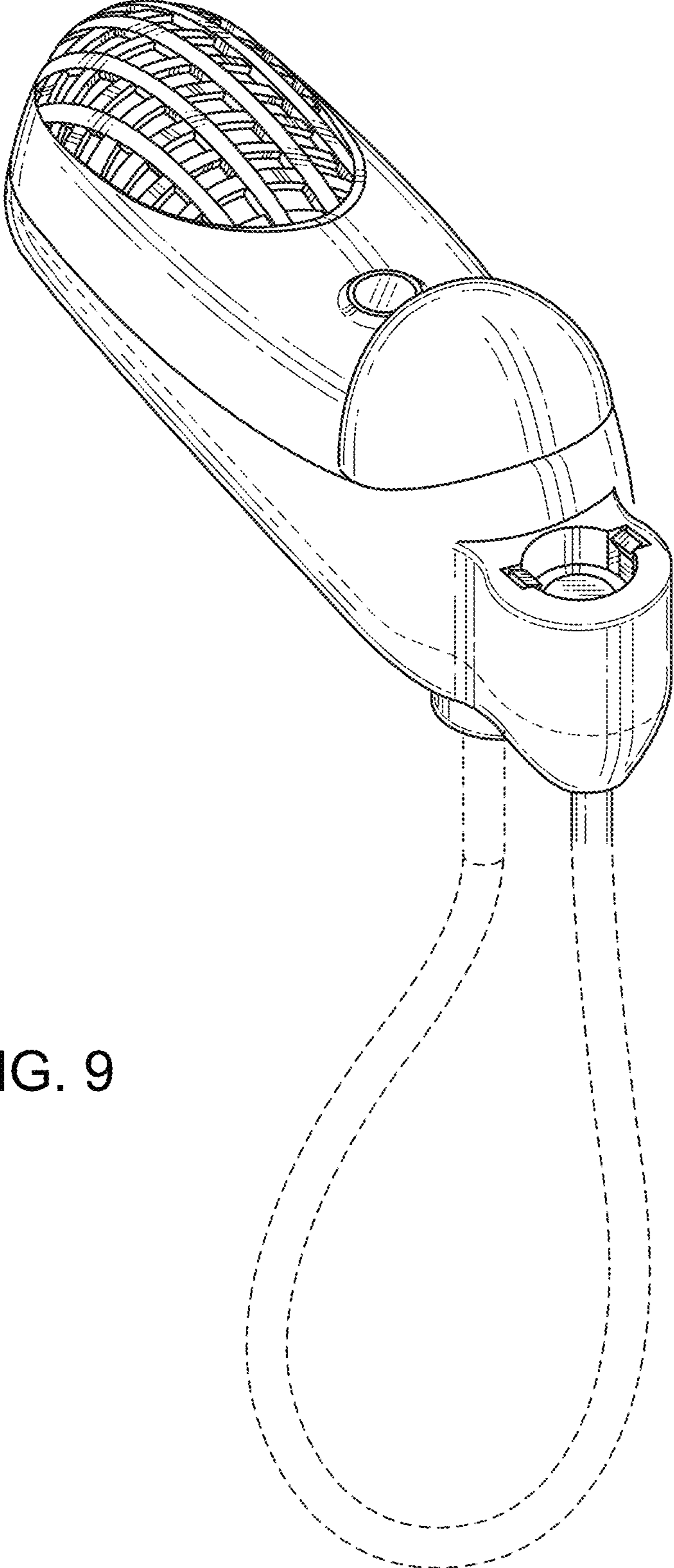


FIG. 9