



US00D697827S

(12) **United States Design Patent**
Sayegh et al.

(10) **Patent No.:** **US D697,827 S**
(45) **Date of Patent:** **** Jan. 21, 2014**

(54) **THEFT DETERRENT SECURITY APPARATUS WITH REMOVABLE PIN**

(71) Applicants: **Adel O. Sayegh**, Rancho Cucamonga, CA (US); **Edgardo M. Redublo**, Chino Hills, CA (US); **Jimin Xi**, Hangzhou (CN)

(72) Inventors: **Adel O. Sayegh**, Rancho Cucamonga, CA (US); **Edgardo M. Redublo**, Chino Hills, CA (US); **Jimin Xi**, Hangzhou (CN)

(73) Assignee: **USS Technologies, LLC**, Rancho Cucamonga, CA (US)

(**) Term: **14 Years**

(21) Appl. No.: **29/434,429**

(22) Filed: **Oct. 12, 2012**

(51) **LOC (10) Cl.** **10-05**

(52) **U.S. Cl.**
USPC **D10/106.91**

(58) **Field of Classification Search**
USPC D10/106.9-10.94; 70/57.1
See application file for complete search history.

(56) **References Cited**

U.S. PATENT DOCUMENTS

3,858,280	A	1/1975	Martens
3,911,534	A	10/1975	Martens et al.
4,588,218	A	5/1986	Guiler et al.
5,610,587	A	3/1997	Fujiuchi et al.
D427,929	S	7/2000	Sayegh

D466,426	S	*	12/2002	Proulx et al.	D10/106.91
D478,829	S	*	8/2003	Yang et al.	D10/106.9
D503,900	S	*	4/2005	Sayegh	D10/106.94
D504,634	S		5/2005	Sayegh		
D505,349	S		5/2005	Sayegh		
D505,350	S		5/2005	Sayegh		
D509,454	S		9/2005	Sayegh		
7,342,495	B2		3/2008	Sayegh		
D624,447	S	*	9/2010	Yang	D10/106.91
D625,637	S		10/2010	Sayegh		
7,969,310	B2		6/2011	Sayegh		

* cited by examiner

Primary Examiner — George D Kirschbaum

(74) *Attorney, Agent, or Firm* — Milord A. Keshishian

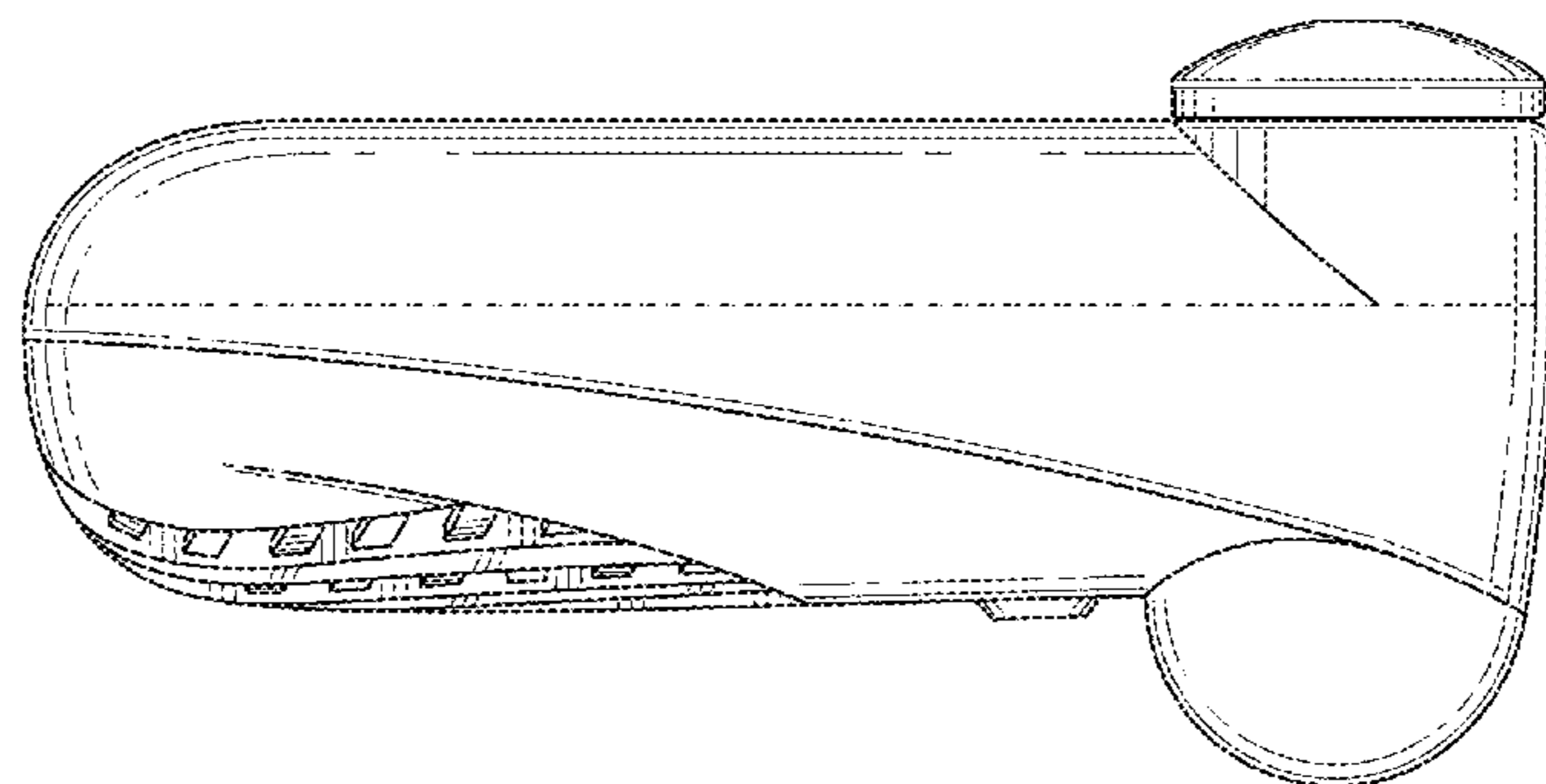
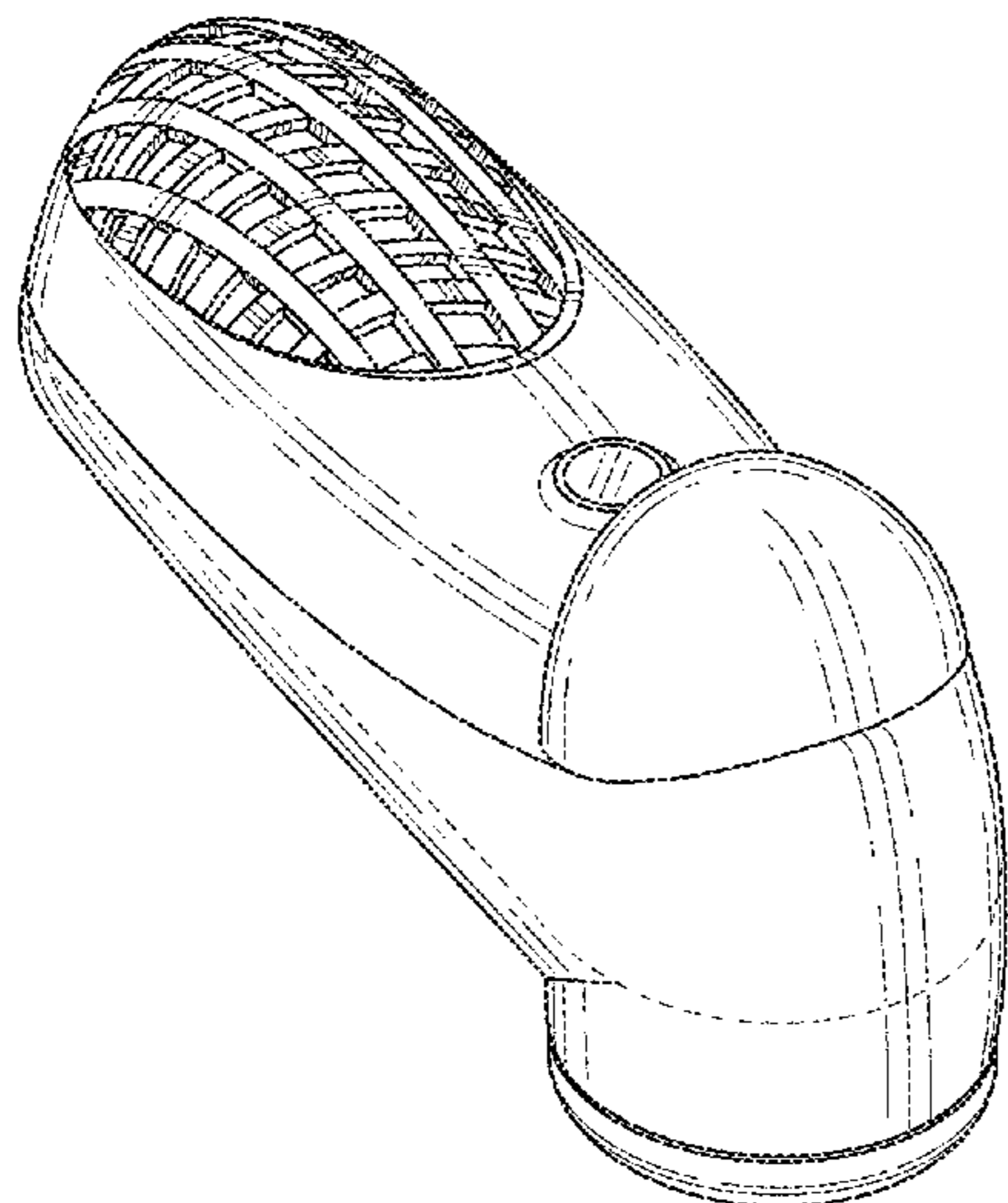
(57) **CLAIM**

The ornamental design for a theft deterrent security apparatus having a removable pin, as shown and described.

DESCRIPTION

FIG. 1 is a bottom perspective view of the theft deterrent security apparatus with removable pin in an engaged state showing the design;
FIG. 2 is a bottom plan view thereof;
FIG. 3 is a top plan view thereof;
FIG. 4 is a right side plan view thereof;
FIG. 5 is a left side plan view thereof;
FIG. 6 is a rear plan view thereof;
FIG. 7 is a frontal plan view thereof;
FIG. 8 is a bottom perspective view of said apparatus in an unengaged state; and,
FIG. 9 is a right side plan view of said apparatus in an unengaged state.

1 Claim, 6 Drawing Sheets



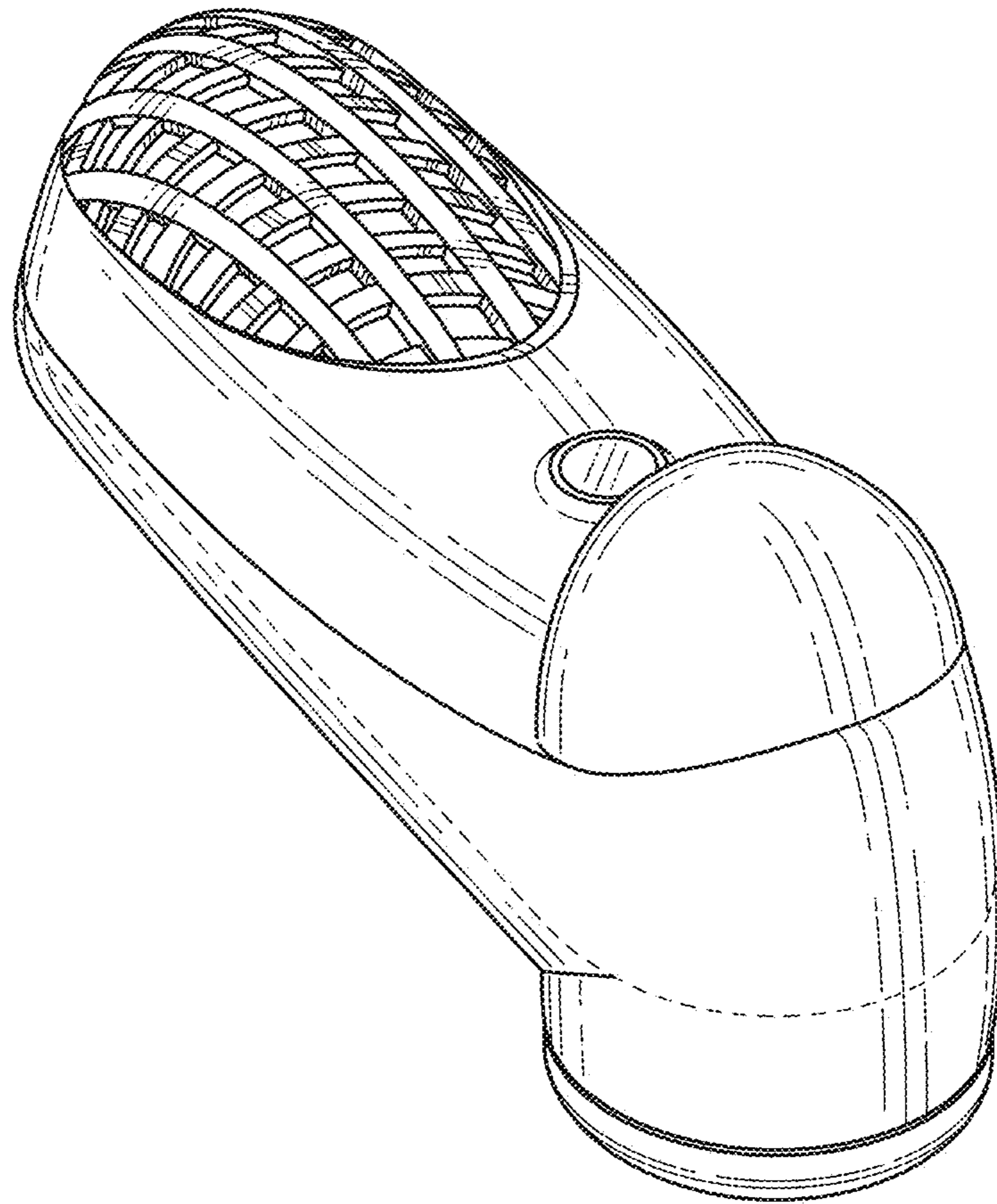


FIG. 1

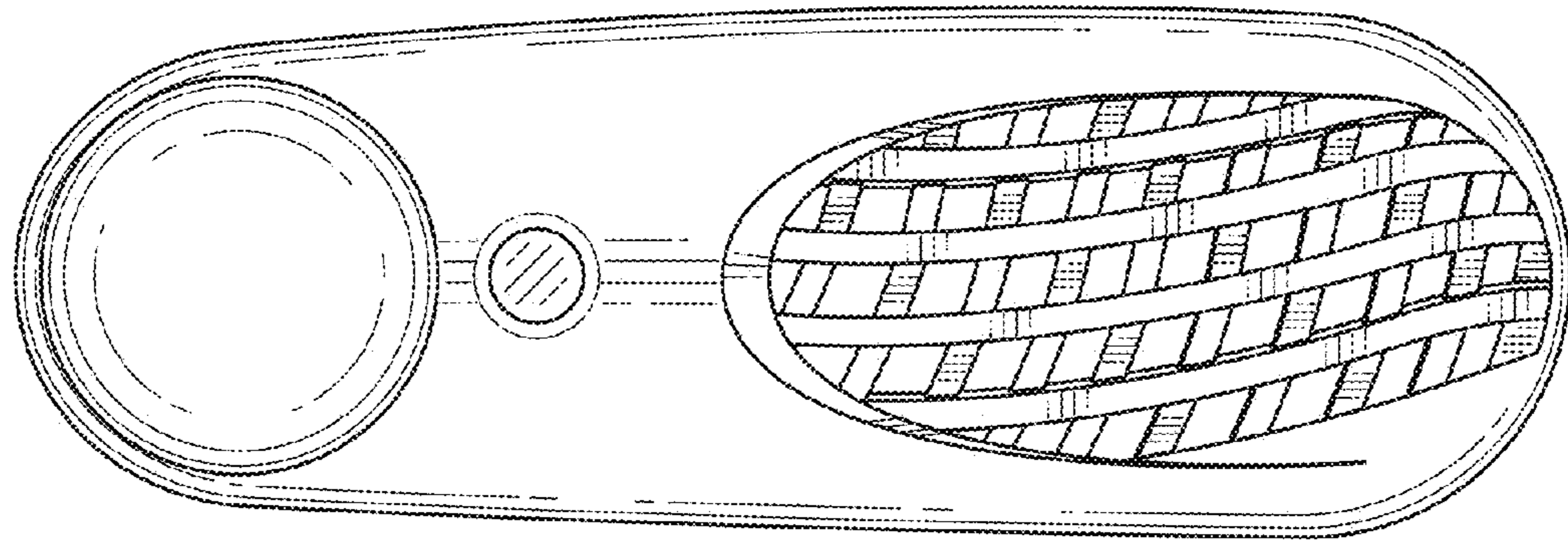


FIG. 2

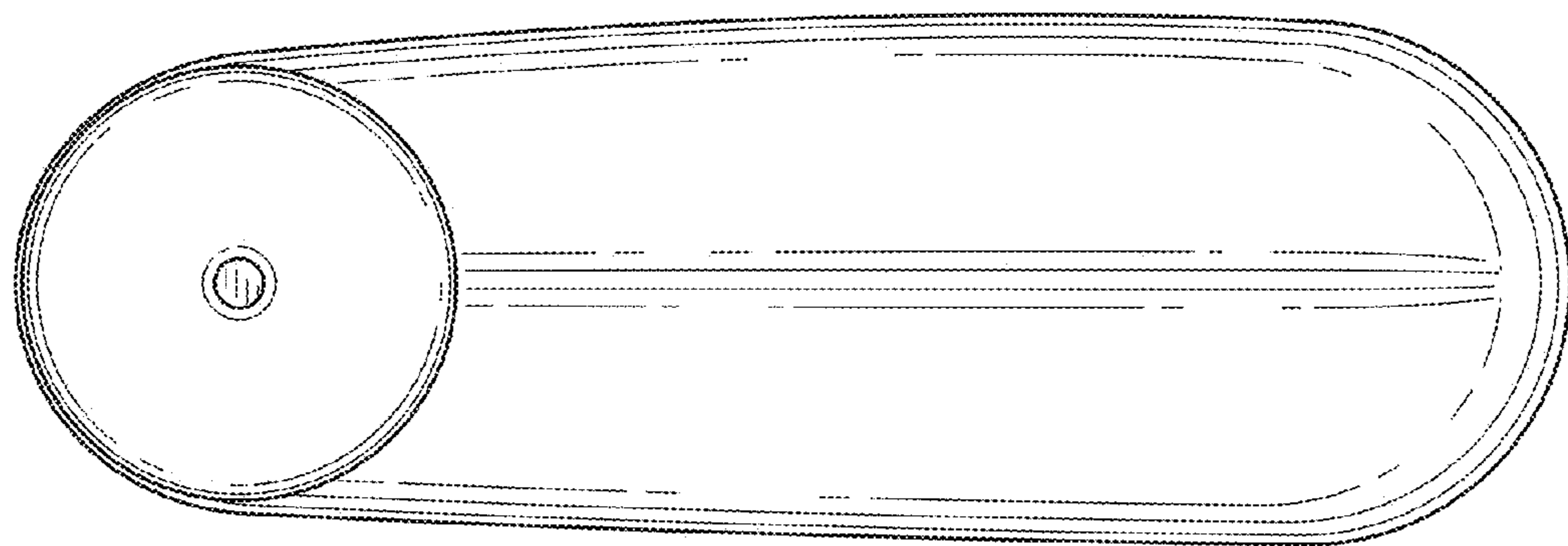


FIG. 3

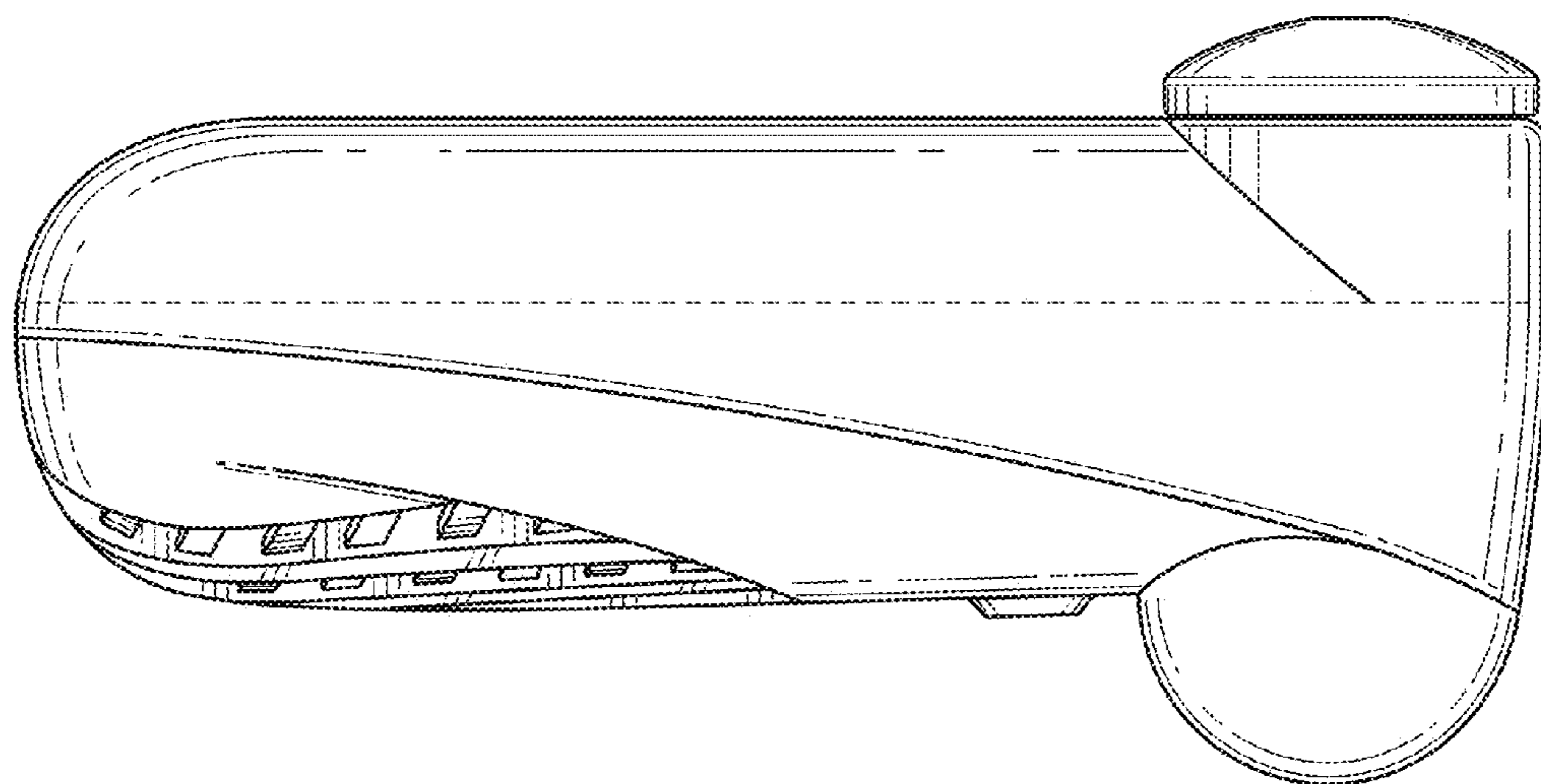


FIG. 4

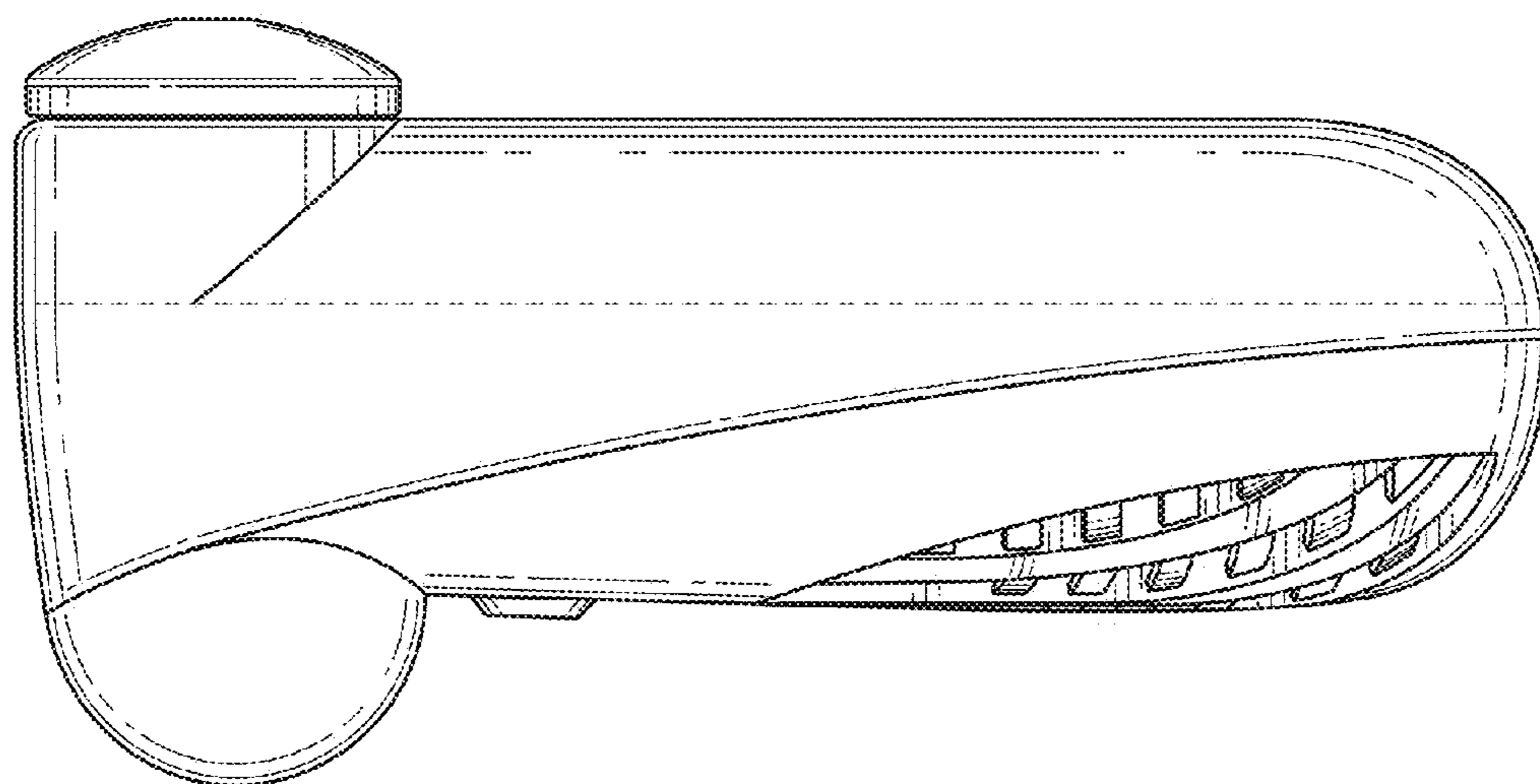


FIG. 5

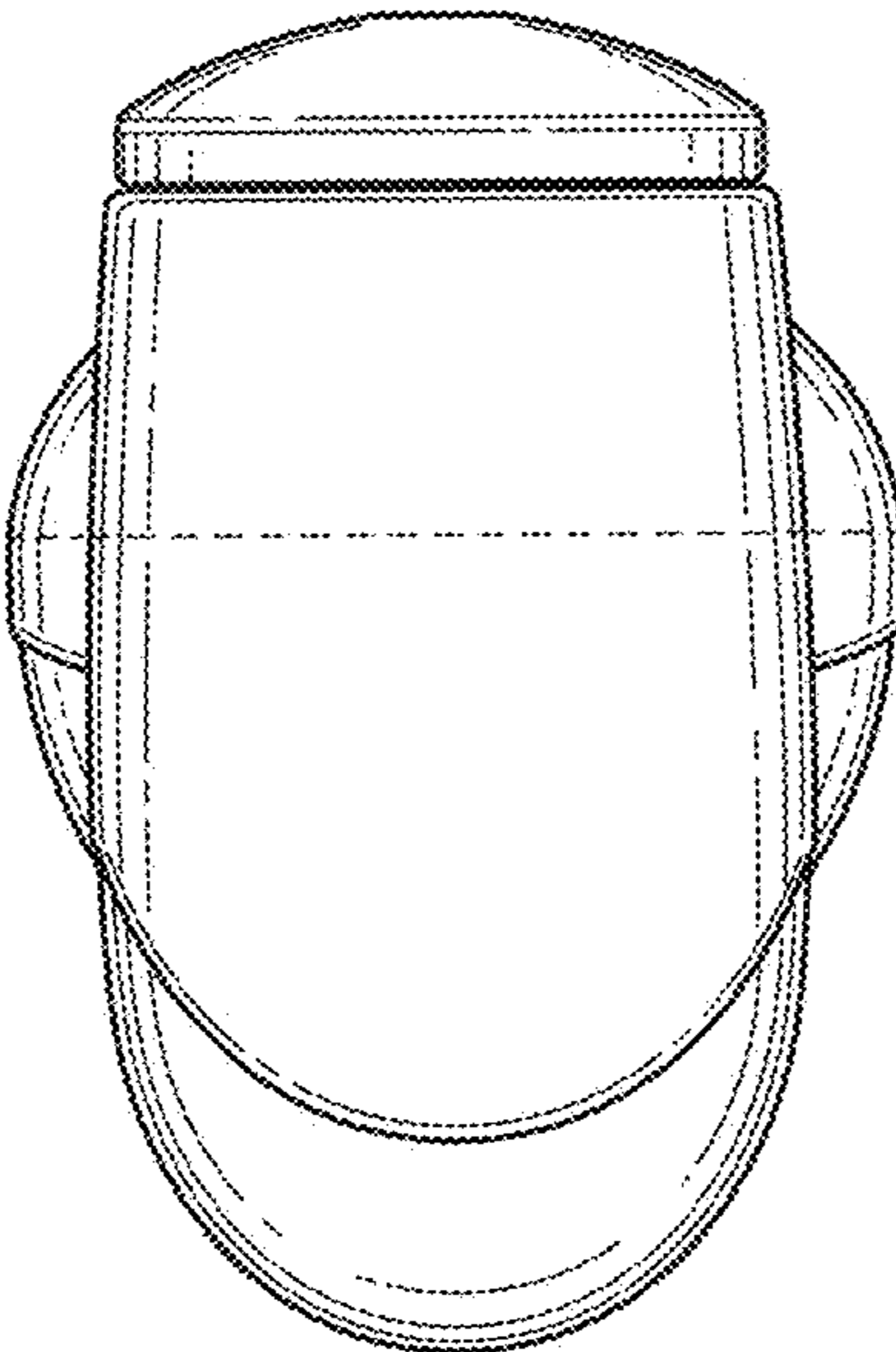


FIG. 6

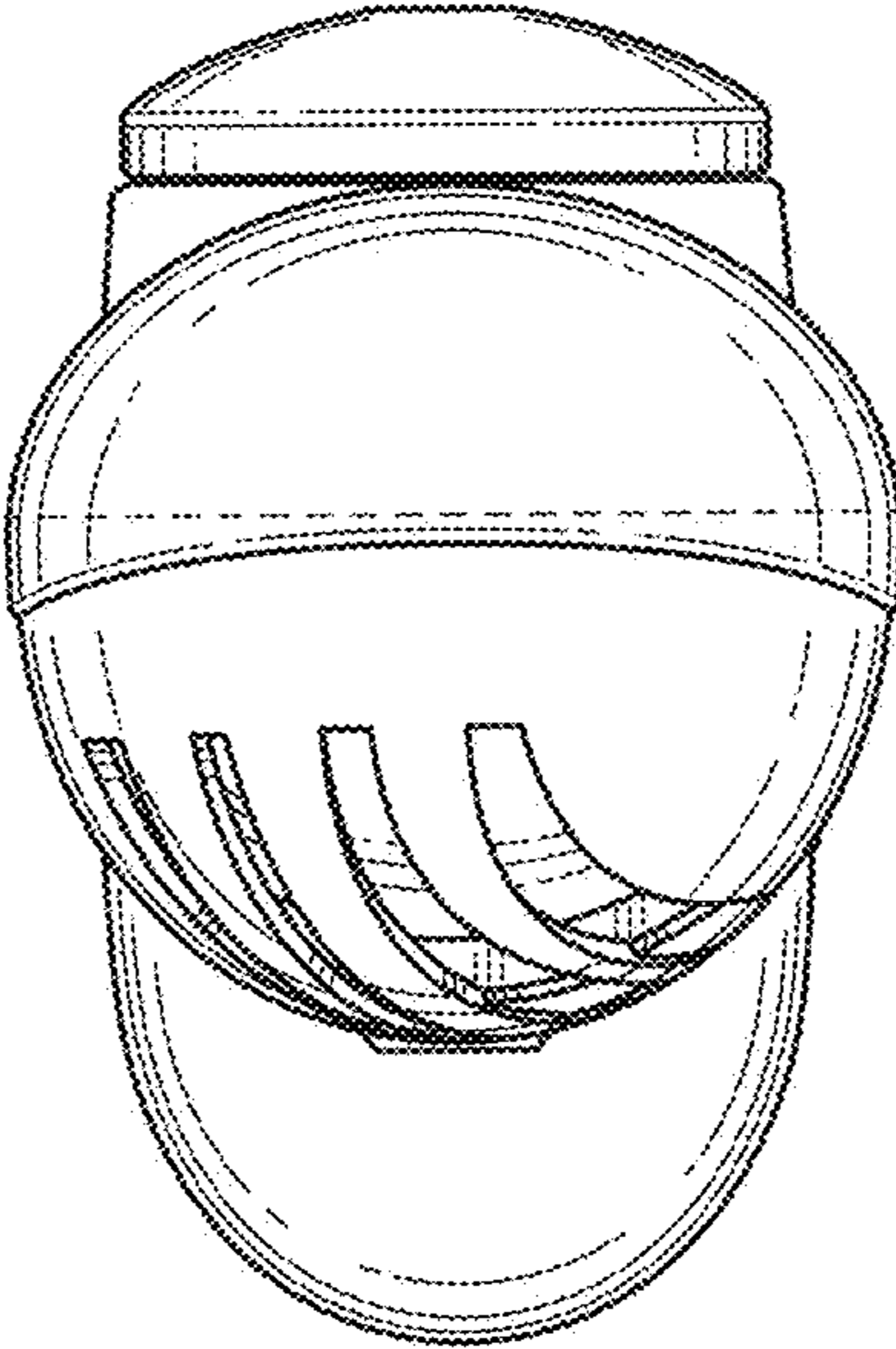


FIG. 7

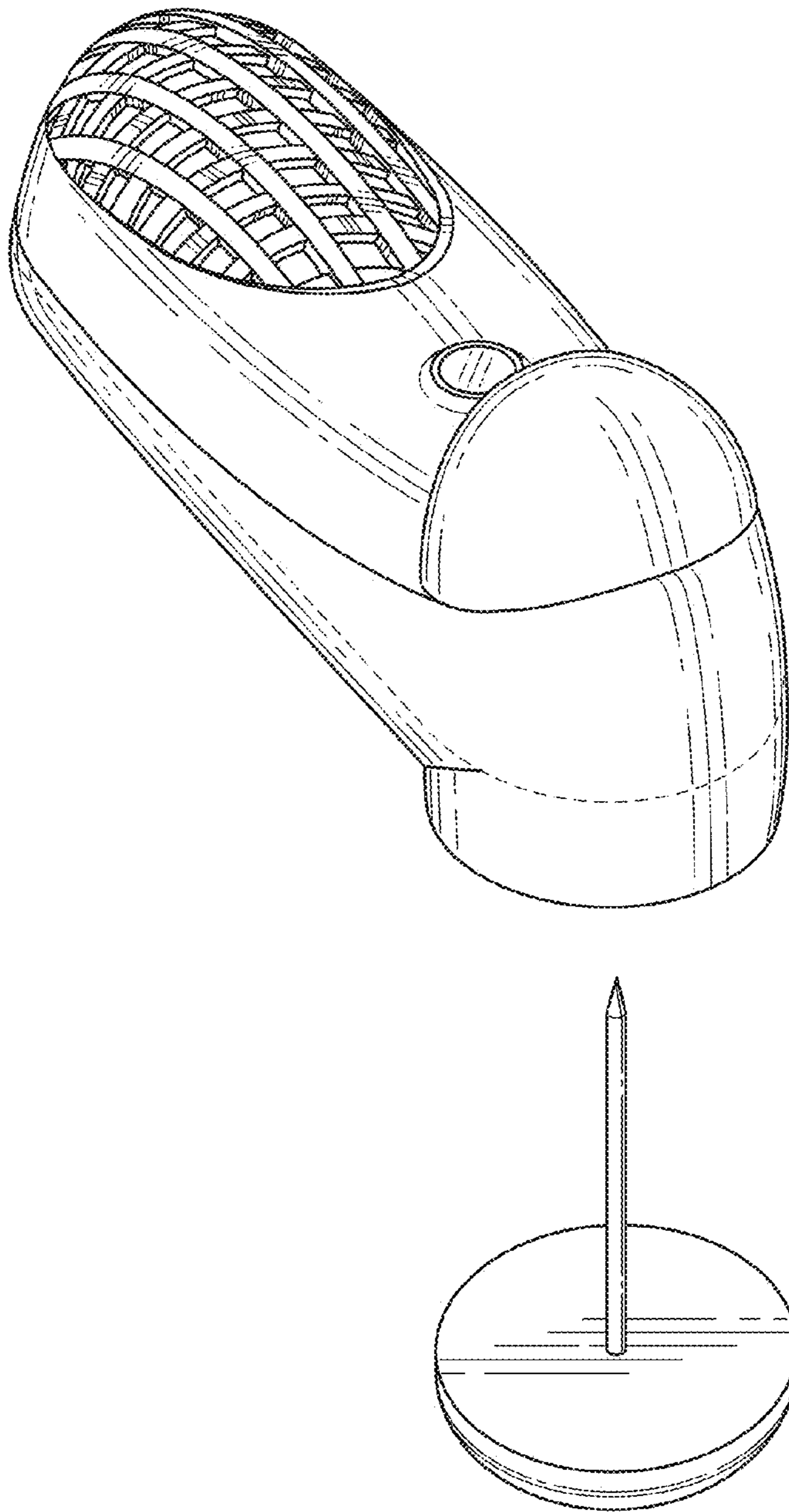


FIG. 8

FIG. 9

