



US00D697826S

(12) **United States Design Patent**
Burpee

(10) **Patent No.:** **US D697,826 S**
(45) **Date of Patent:** **** Jan. 21, 2014**

(54) **LAUNDRY ANTI-THEFT PIN AND SLEEVE**

(71) Applicant: **John Burpee**, Seminole, FL (US)

(72) Inventor: **John Burpee**, Seminole, FL (US)

(**) Term: **14 Years**

(21) Appl. No.: **29/444,925**

(22) Filed: **Feb. 6, 2013**

(51) **LOC (10) Cl.** **10-05**

(52) **U.S. Cl.**
USPC **D10/106.9**

(58) **Field of Classification Search**
USPC D10/106.9-10.94; 70/57.1; 340/572.9
See application file for complete search history.

(56) **References Cited**

U.S. PATENT DOCUMENTS

3,180,473	A *	4/1965	Garvey	194/351
4,302,137	A	11/1981	Hart		
4,406,358	A	9/1983	Zahradnik		
4,540,322	A *	9/1985	Coffia	411/338
4,619,122	A	10/1986	Simpson		
4,637,234	A	1/1987	Mielonen		
4,655,060	A	4/1987	Jakubas		
5,018,920	A	5/1991	Speakman		
6,030,161	A	2/2000	Udell et al.		
6,341,927	B2 *	1/2002	Hampson et al.	411/403
6,578,398	B2	6/2003	Behunin		
7,392,674	B1 *	7/2008	Grote	70/232

* cited by examiner

Primary Examiner — George D Kirschbaum

(74) *Attorney, Agent, or Firm* — Larson & Larson, P.A.;
Frank Liebenow; Justin P. Miller

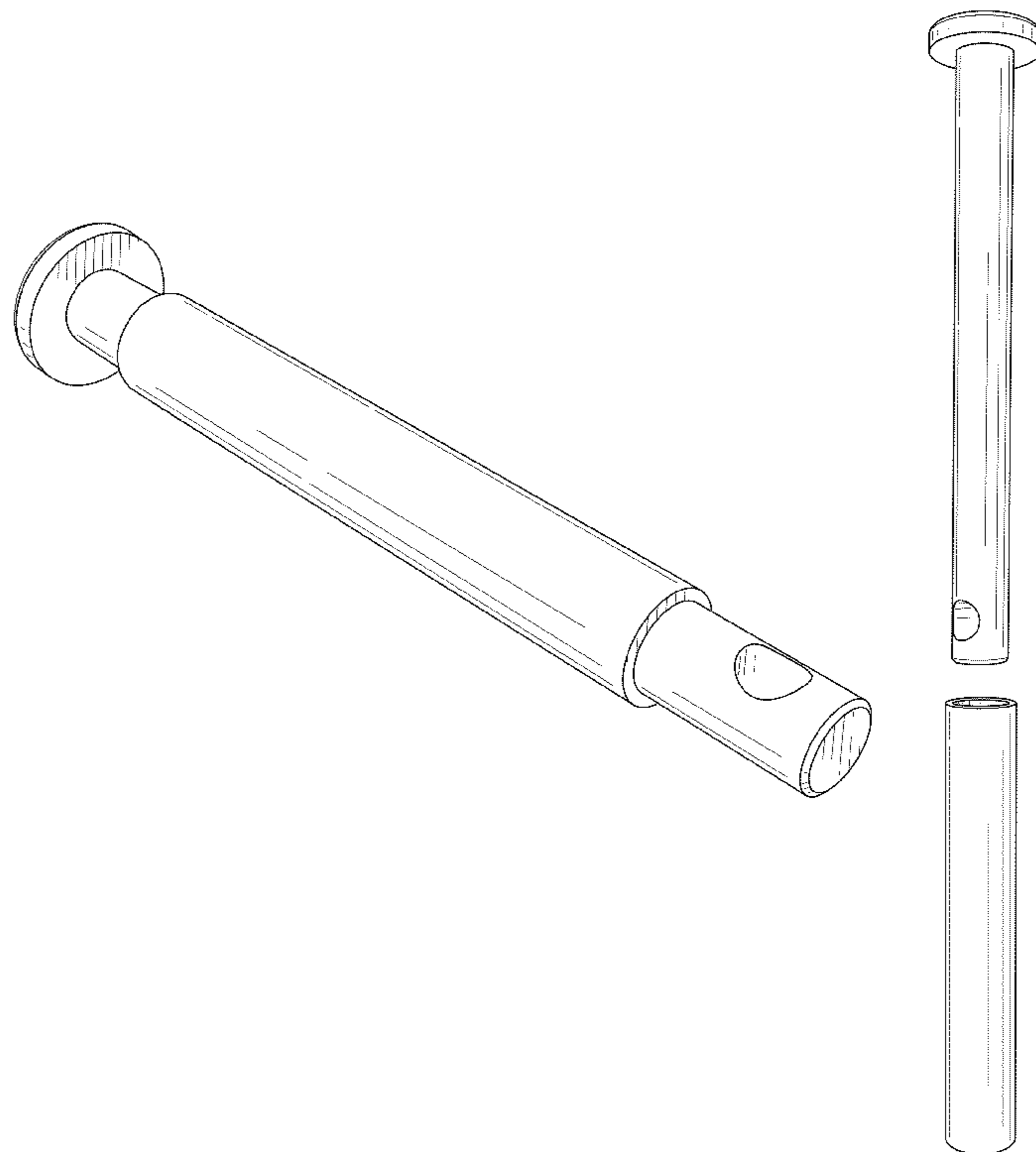
(57) **CLAIM**

I claim the ornamental design for a laundry anti-theft pin and sleeve, as shown and described.

DESCRIPTION

FIG. 1 is a perspective view of the laundry anti-theft pin and sleeve showing my new design;
FIG. 2 is a left side view thereof, the right side view is a mirror image of the left side view;
FIG. 3 is a front side view thereof, the back side view is a mirror image of the top plan view;
FIG. 4 is a bottom plan view thereof;
FIG. 5 is a top plan view thereof;
FIG. 6 is a perspective view thereof, showing the laundry anti-theft pin and sleeve installed in an exemplary coin box mechanism; and,
FIG. 7 is a perspective view thereof, showing the two components of the laundry anti-theft pin and sleeve.
The broken lines depicting part of an exemplary coin box in FIG. 6 are for illustrative purposes only and form no part of the claimed design.

1 Claim, 4 Drawing Sheets



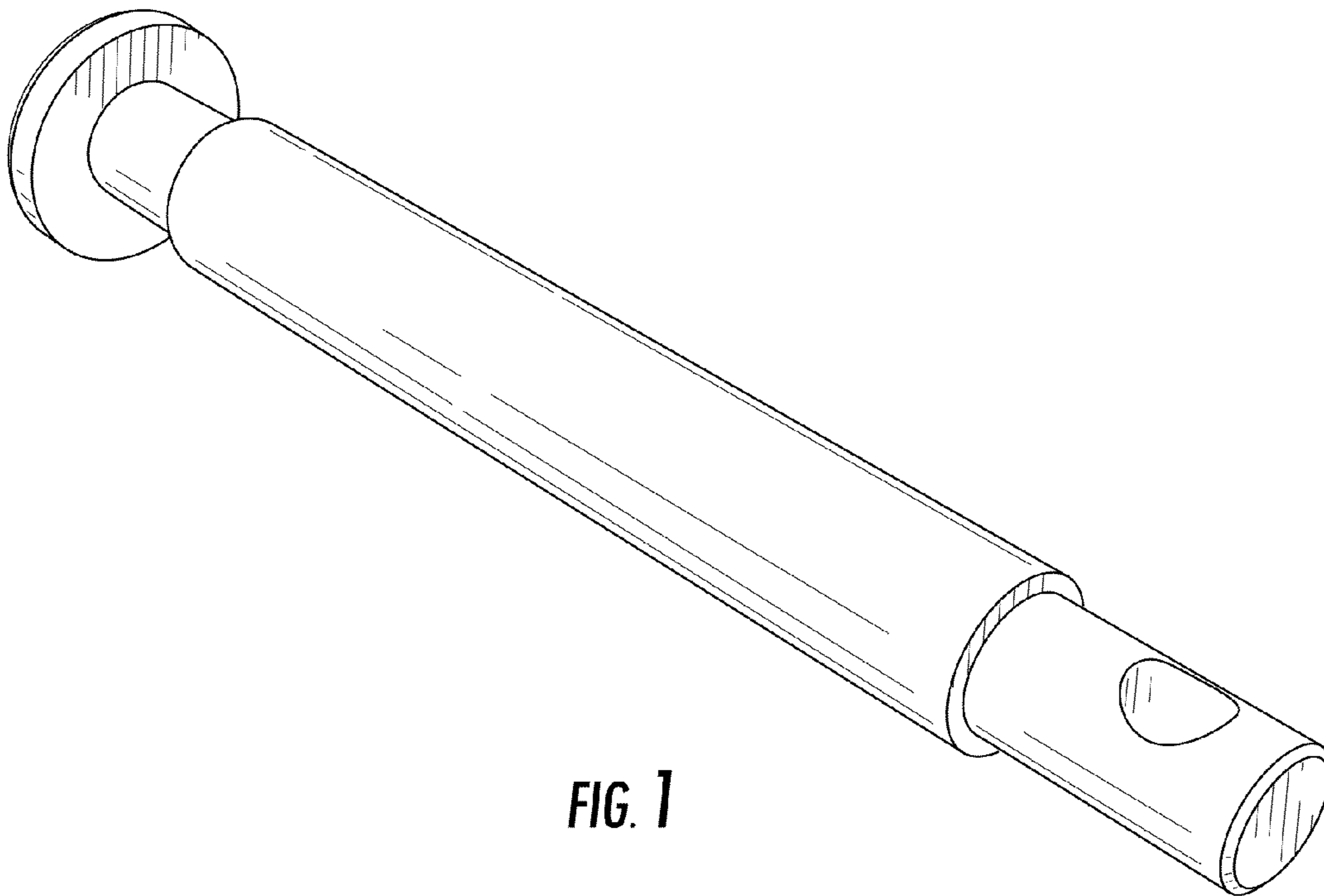


FIG. 1

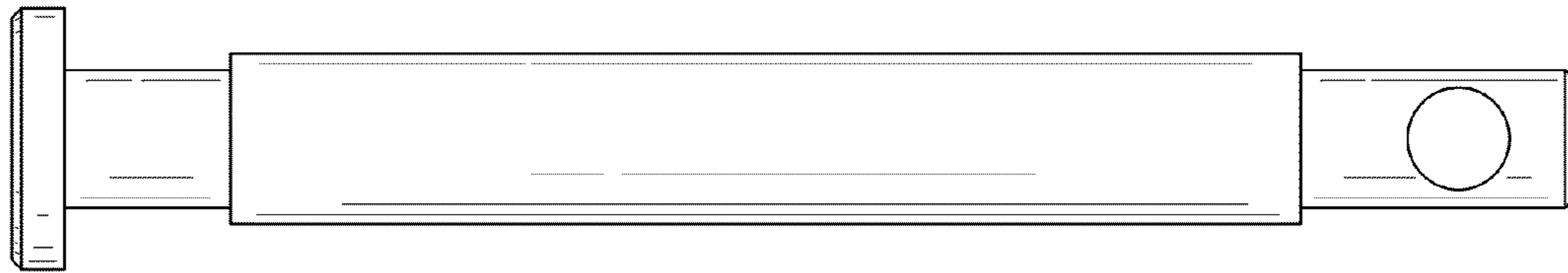


FIG. 2

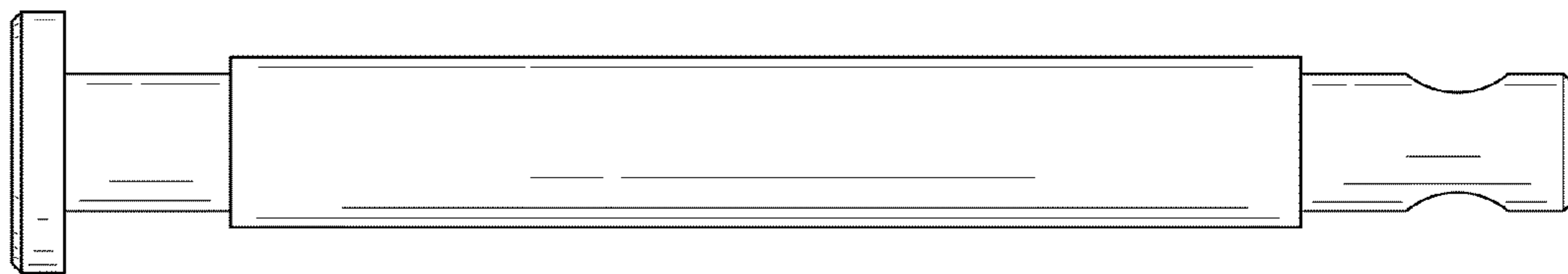


FIG. 3

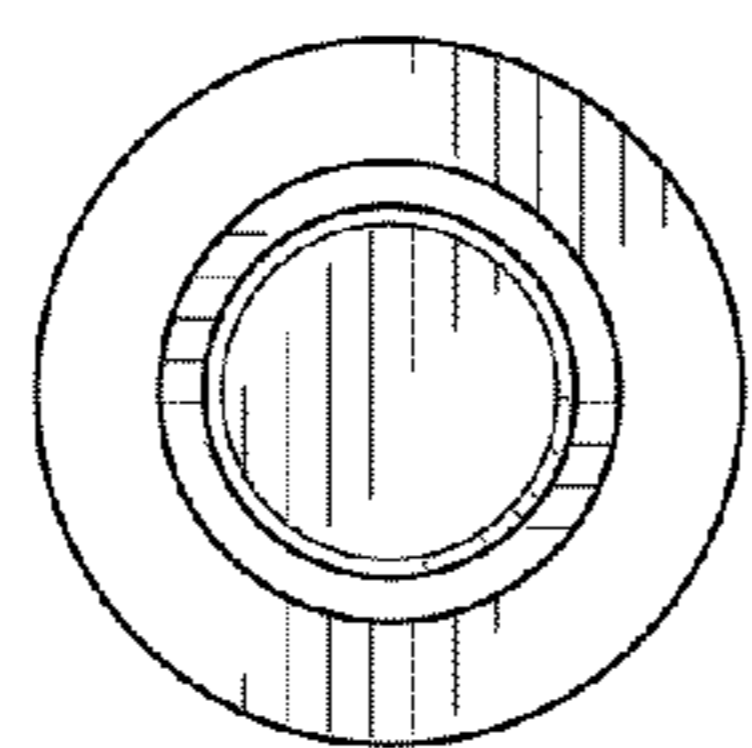


FIG. 4

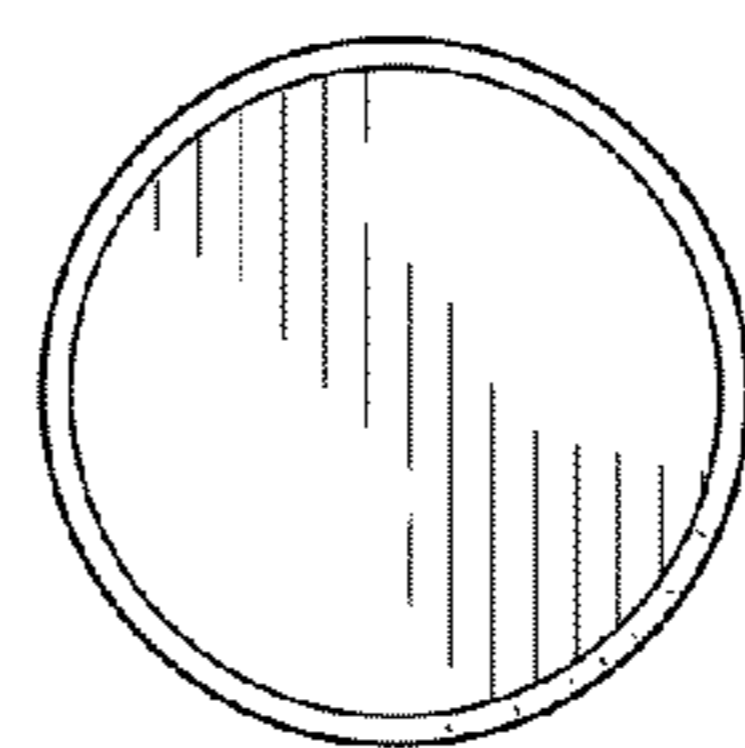


FIG. 5

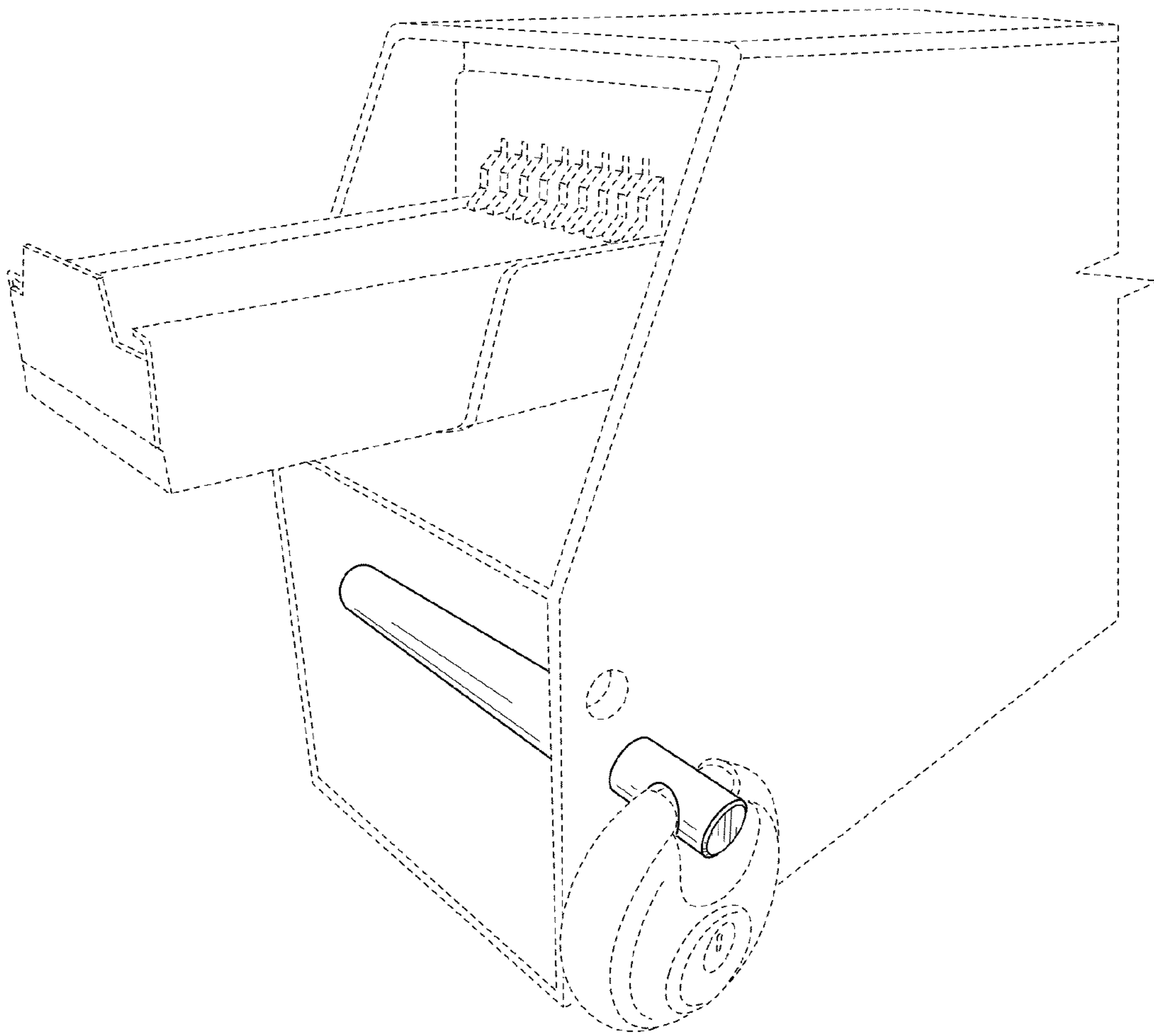


FIG. 6

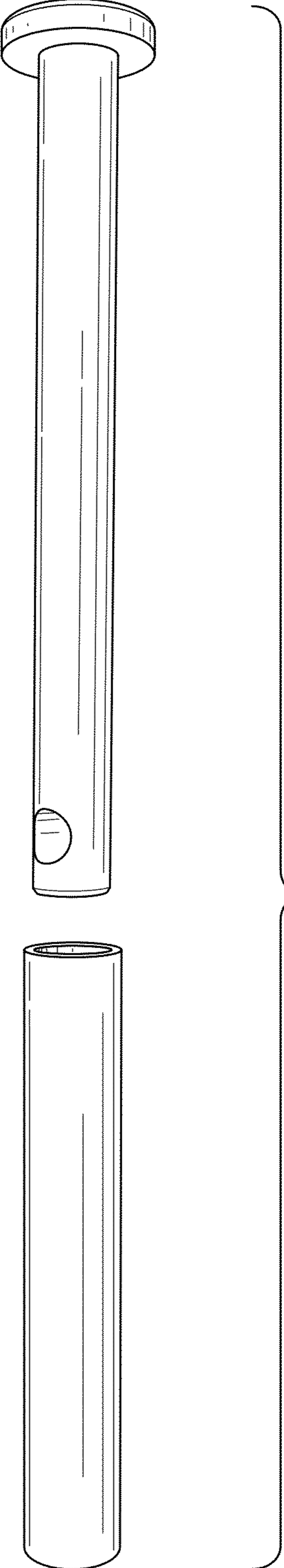


FIG. 7