



US00D697825S

(12) **United States Design Patent**
Yang

(10) **Patent No.:** **US D697,825 S**
(45) **Date of Patent:** **** Jan. 21, 2014**

- (54) **HANGING ANTI-THEFT TAG**
- (71) Applicant: **Xiao Hui Yang**, Saratoga, CA (US)
- (72) Inventor: **Xiao Hui Yang**, Saratoga, CA (US)
- (73) Assignee: **W G Security Products**, San Jose, CA (US)
- (**) Term: **14 Years**

Primary Examiner — George D Kirschbaum
(74) *Attorney, Agent, or Firm* — Robert R. Waters; Brian W. Foxworthy; Waters Law Group, PLLC

- (21) Appl. No.: **29/434,281**
- (22) Filed: **Oct. 11, 2012**
- (51) **LOC (10) Cl.** **10-05**
- (52) **U.S. Cl.**
USPC **D10/106.9**
- (58) **Field of Classification Search**
USPC D10/106.9–10.94, 104.1; 70/57.1;
235/492; 340/572.9; 81/3.07
See application file for complete search history.

(57) **CLAIM**
I claim the ornamental design for a hanging anti-theft tag, as shown and described.

DESCRIPTION

FIG. 1 is a perspective front view of my new design for a hanging anti-theft tag in a closed position.
 FIG. 2 is a front view of my new design for a hanging anti-theft tag in a closed position.
 FIG. 3 is a back view of my new design for a hanging anti-theft tag in a closed position.
 FIG. 4 is a side view of my new design for a hanging anti-theft tag in a closed position.
 FIG. 5 is a side view of my new design for a hanging anti-theft tag in a closed position.
 FIG. 6 is a top view of my new design for a hanging anti-theft tag in a closed position.
 FIG. 7 is a bottom view of my new design for a hanging anti-theft tag in a closed position.
 FIG. 8 is a perspective front view of my new design for a hanging anti-theft tag in an open position.
 FIG. 9 is a front view of my new design for a hanging anti-theft tag in an open position.
 FIG. 10 is a back view of my new design for a hanging anti-theft tag in an open position.
 FIG. 11 is a side view of my new design for a hanging anti-theft tag in an open position.
 FIG. 12 is a side view of my new design for a hanging anti-theft tag in an open position.
 FIG. 13 is a top view of my new design for a hanging anti-theft tag in an open position; and,
 FIG. 14 is a bottom view of my new design for a hanging anti-theft tag in an open position.

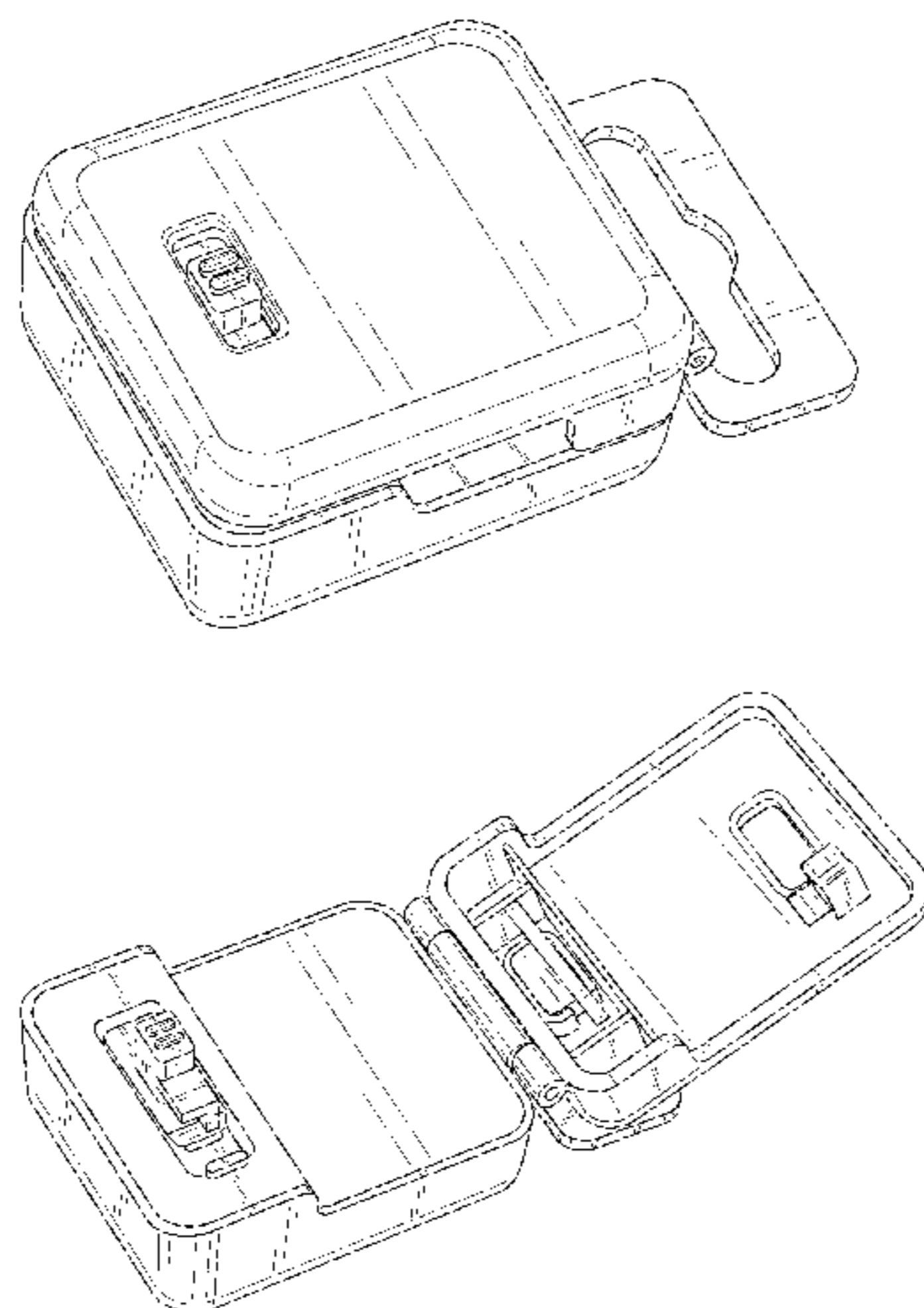
(56) **References Cited**

U.S. PATENT DOCUMENTS

931,685	A	8/1909	Crim
1,347,467	A	7/1920	Scott
3,966,033	A	6/1976	Doo
3,995,900	A	12/1976	Humble et al.
4,398,404	A	8/1983	Wake
4,574,600	A	3/1986	Moffett
4,774,503	A	9/1988	Bussard
4,774,504	A	9/1988	Hartings
6,018,968	A	2/2000	Sides
6,057,762	A	5/2000	Dusza
D427,929	S	7/2000	Sayegh
6,121,878	A	9/2000	Brady et al.
6,339,378	B2	1/2002	Seidel
6,374,647	B1	4/2002	Homgren
6,449,991	B1	9/2002	Hogan
6,474,117	B2	11/2002	Okuno
D466,426	S	12/2002	Prouix et al.
6,535,130	B2	3/2003	Nguyen et al.
D478,829	S	8/2003	Yang et al.

(Continued)

1 Claim, 12 Drawing Sheets



(56)

References Cited

U.S. PATENT DOCUMENTS

6,754,939 B2	6/2004	Belden, Jr. et al.	7,336,180 B2	2/2008	Sayegh et al.	
D494,487 S	8/2004	Sayegh	7,400,254 B2	7/2008	Yang et al.	
6,845,640 B2	1/2005	Loeff et al.	7,412,857 B2	8/2008	Kolten et al.	
D503,900 S	4/2005	Sayegh	D578,030 S	10/2008	Yang et al.	
D504,634 S	5/2005	Sayegh	7,474,222 B2	1/2009	Yang et al.	
D505,349 S	5/2005	Sayegh	7,498,945 B2	3/2009	Marsilio et al.	
D505,350 S	5/2005	Sayegh	7,650,768 B2	1/2010	Fawcett et al.	
D523,729 S	6/2006	Gorst	D624,447 S	9/2010	Yang	
7,068,172 B2	6/2006	Yang et al.	D626,022 S *	10/2010	Sayegh et al.	D10/106.91
7,073,236 B2	7/2006	Xue et al.	D649,898 S	12/2011	Yang	
7,084,766 B2	8/2006	Sayegh et al.	8,144,014 B1	3/2012	Yang	
7,134,302 B2	11/2006	Gorst	8,274,391 B2	9/2012	Yang	
7,190,272 B2	3/2007	Yang et al.	2003/0221464 A1 *	12/2003	Stroh	70/57.1
7,249,401 B2	7/2007	Copen et al.	2006/0070410 A1	4/2006	Fuss et al.	
7,266,979 B2	9/2007	Belden, Jr.	2008/0223177 A1 *	9/2008	van Koot et al.	81/3.07
D559,720 S	1/2008	Raymond	2008/0266111 A1 *	10/2008	Shute et al.	340/572.9
			2010/0052910 A1	3/2010	Yang et al.	
			2012/0267436 A1 *	10/2012	Yang	235/492

* cited by examiner



FIG. 1

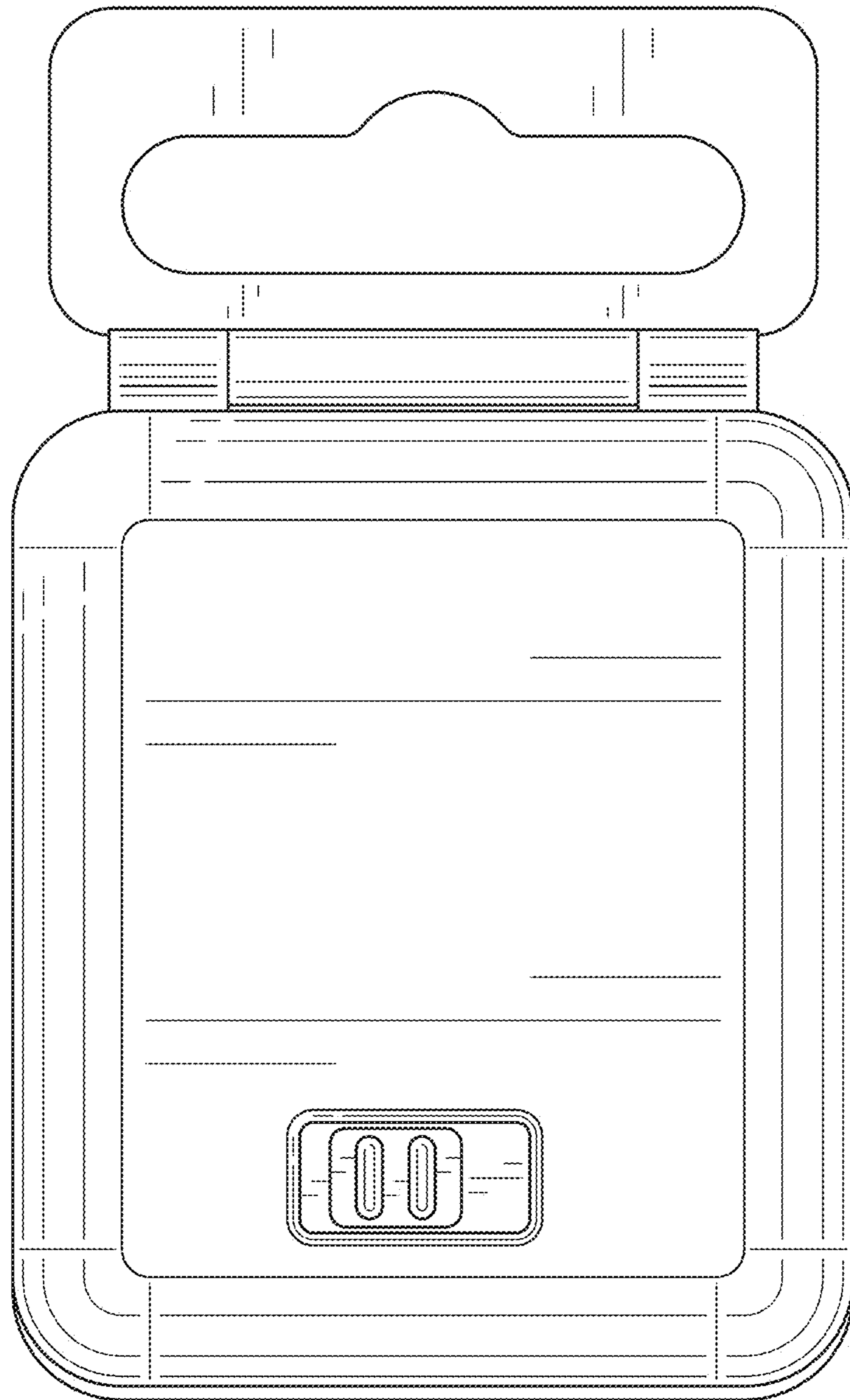


FIG. 2

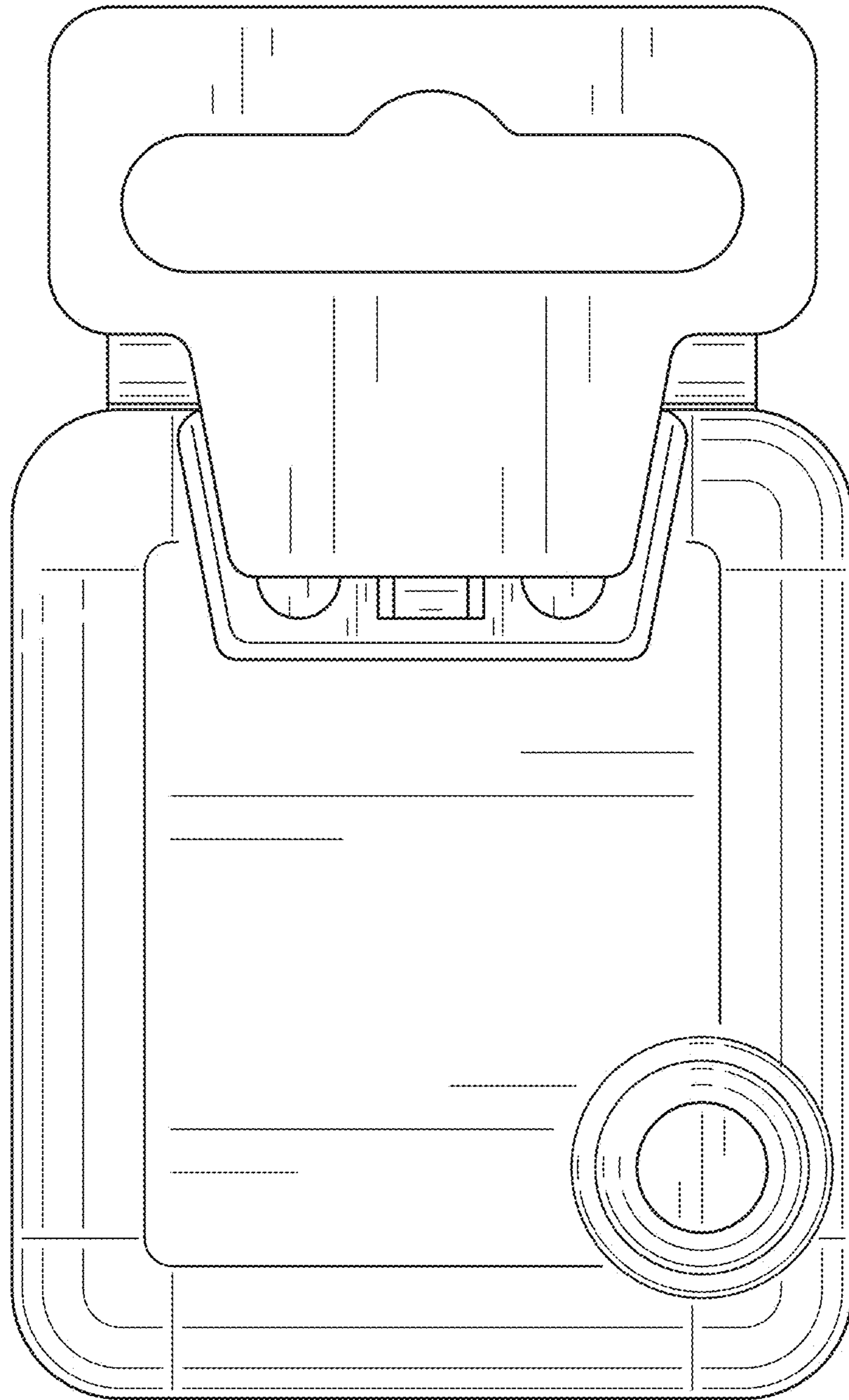


FIG. 3

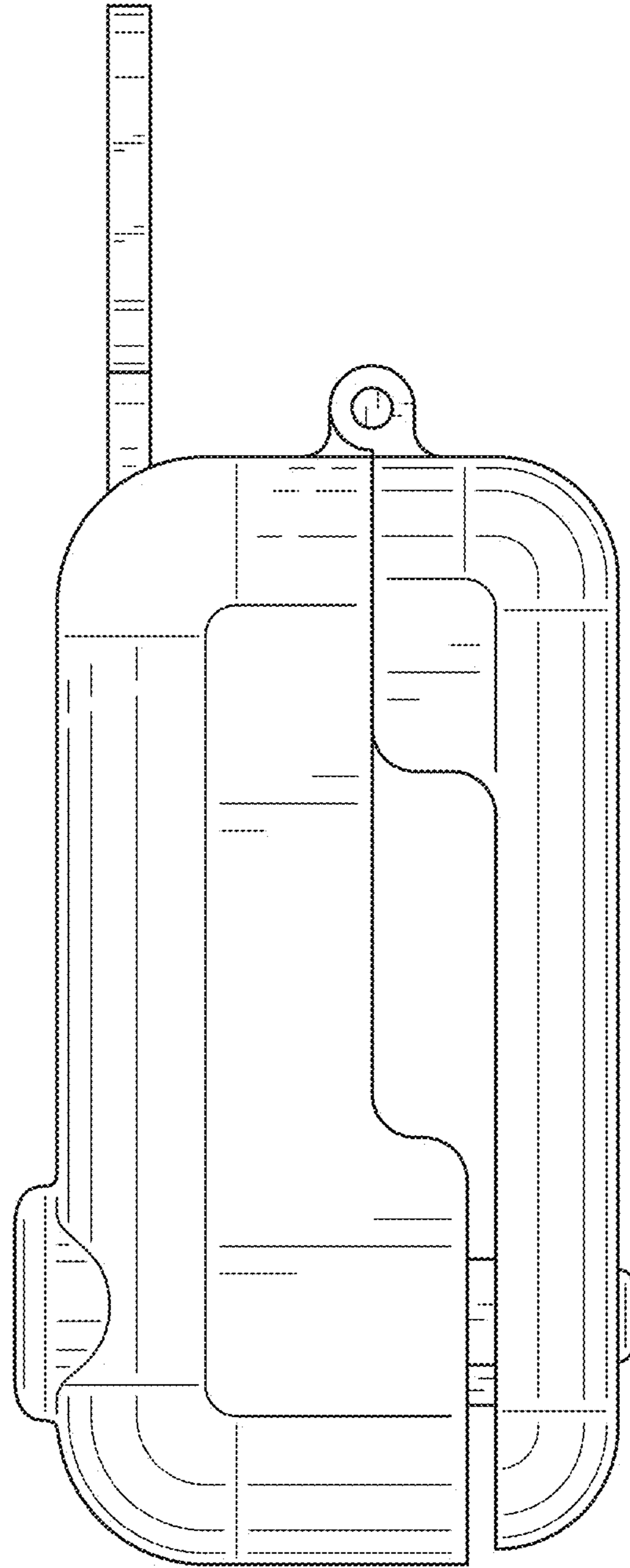


FIG. 4

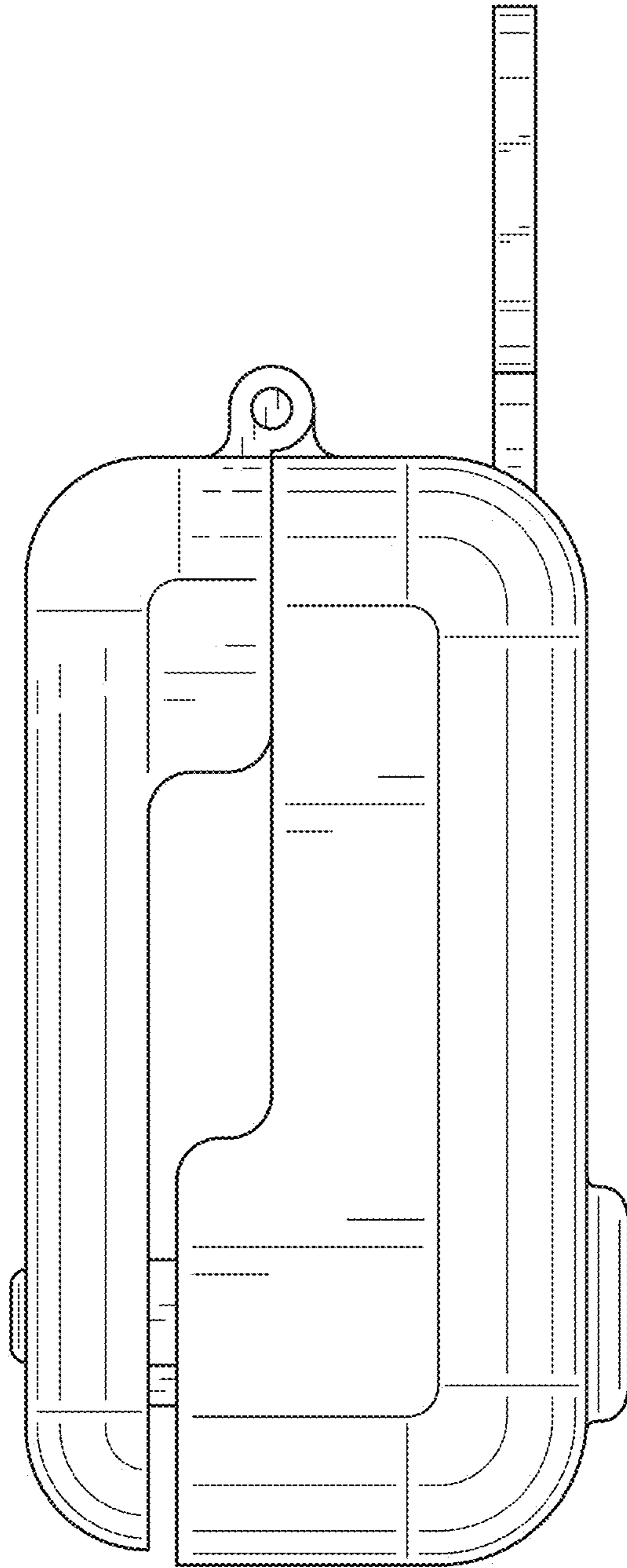


FIG. 5

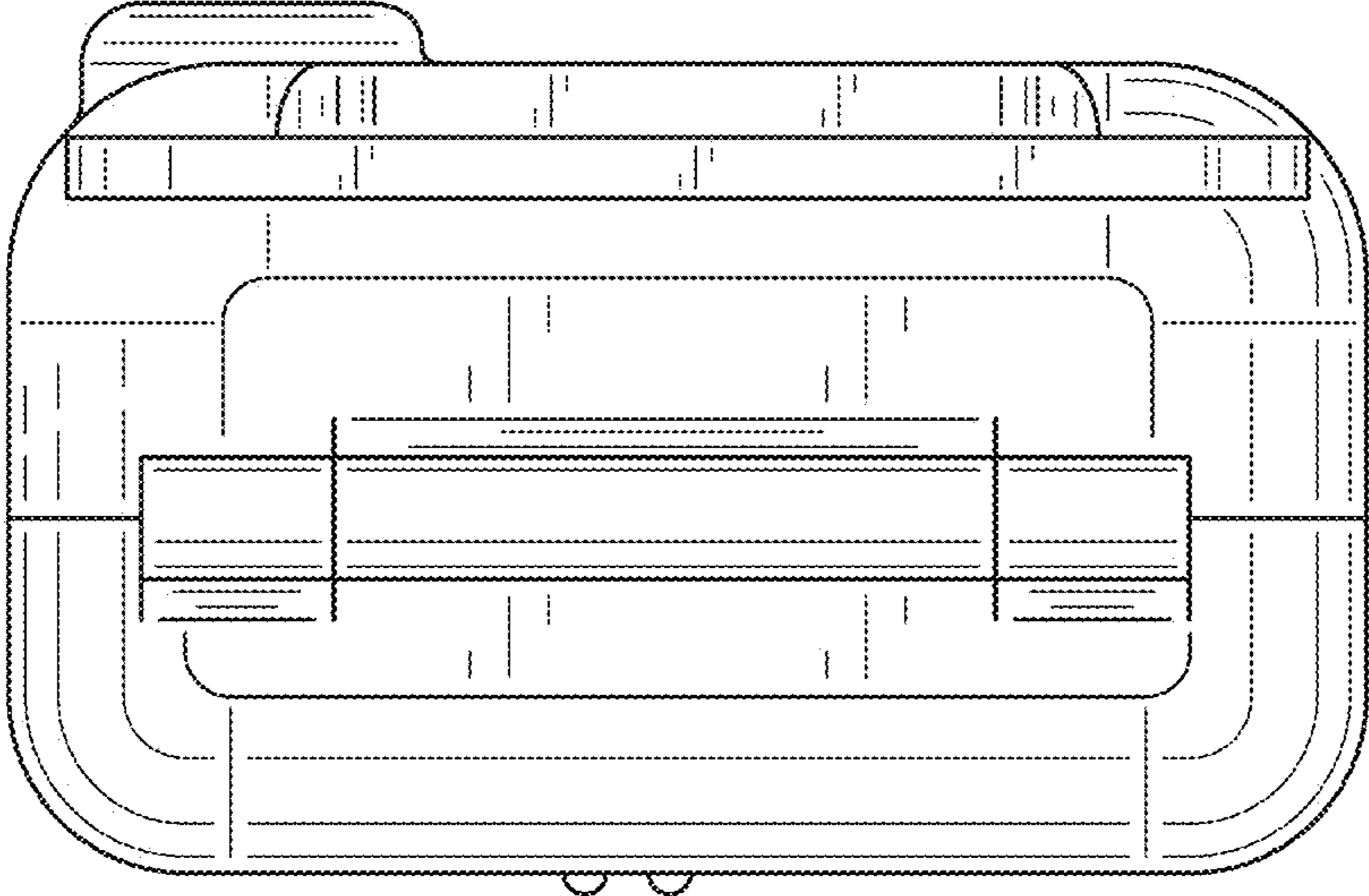


FIG. 6

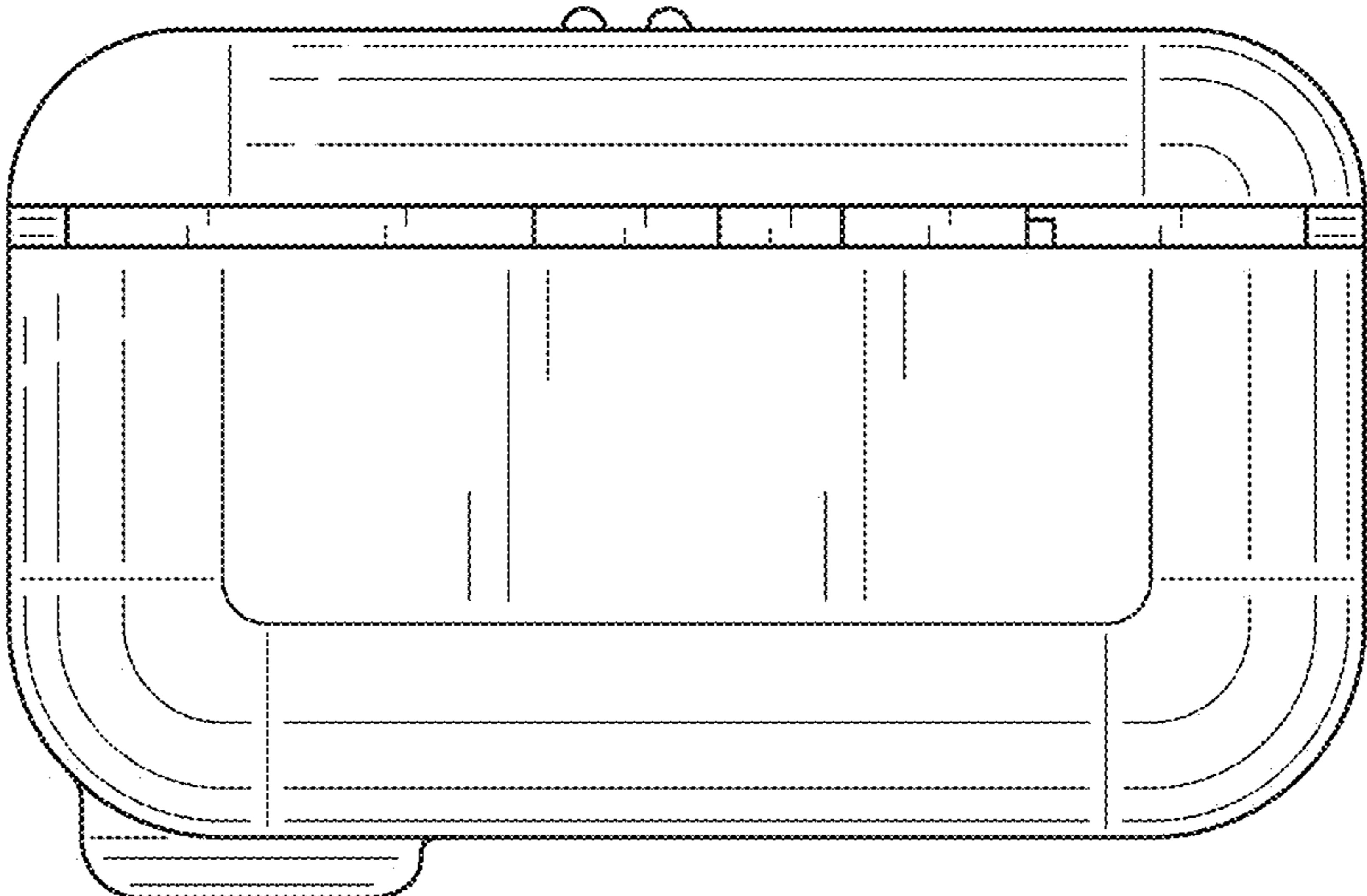


FIG. 7

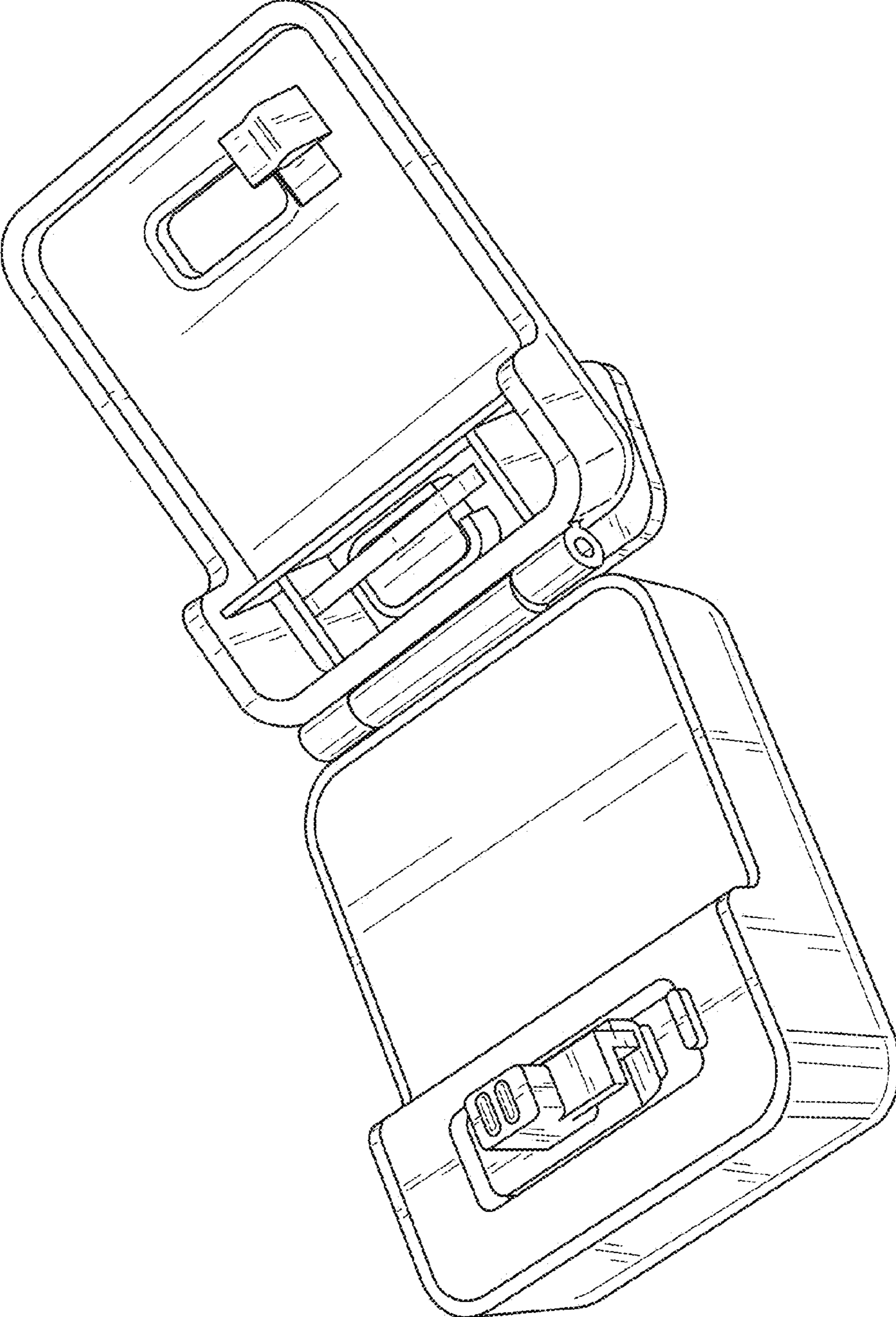


FIG. 8

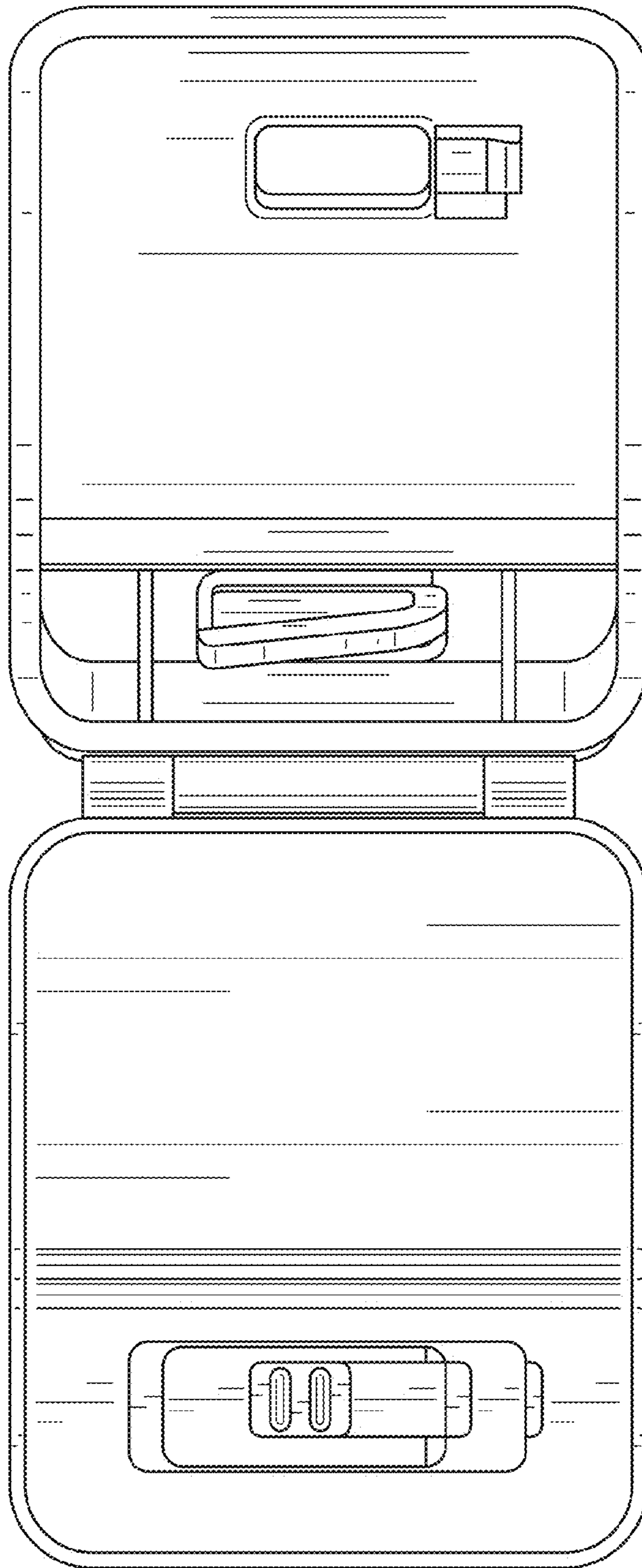


FIG. 9

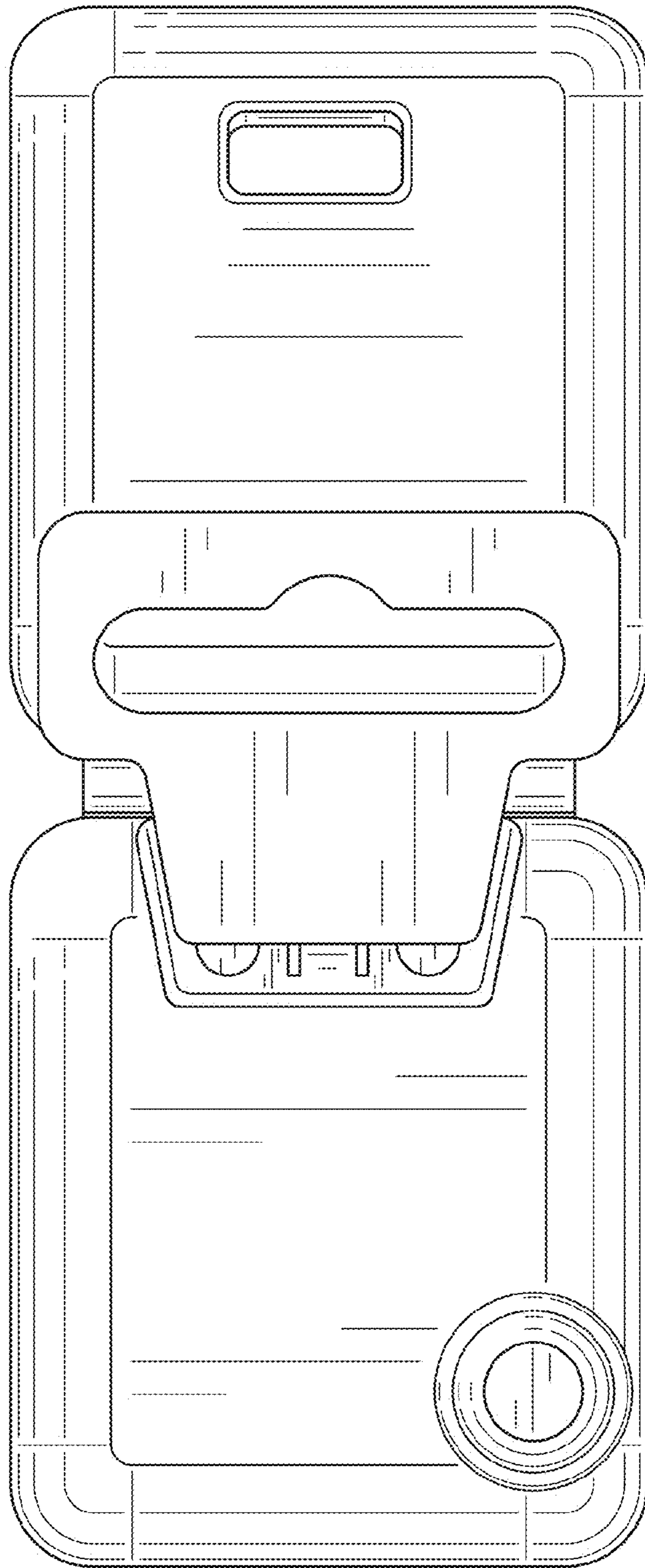


FIG. 10

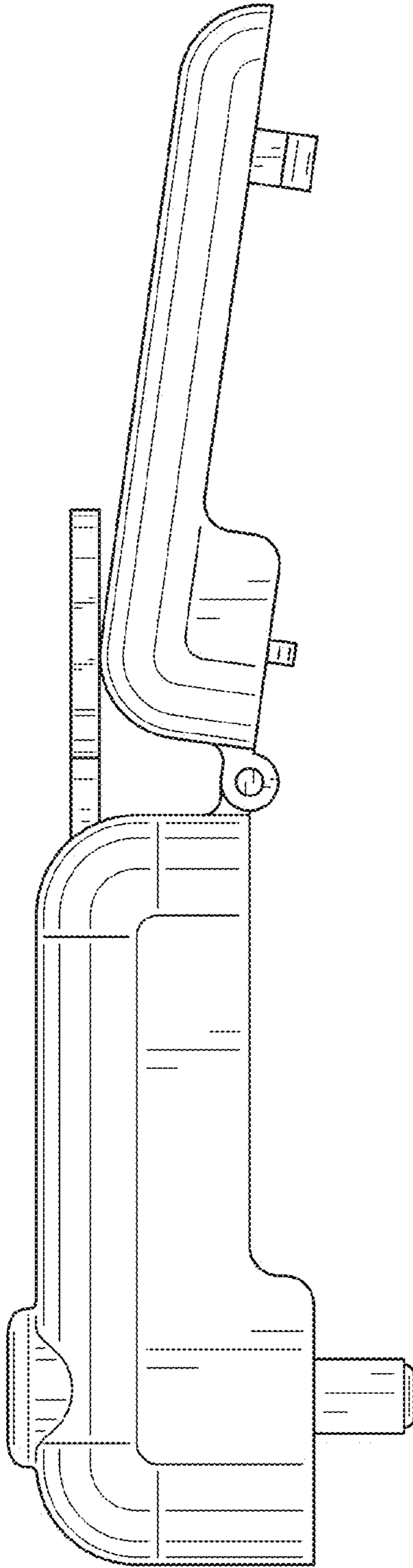


FIG. 11

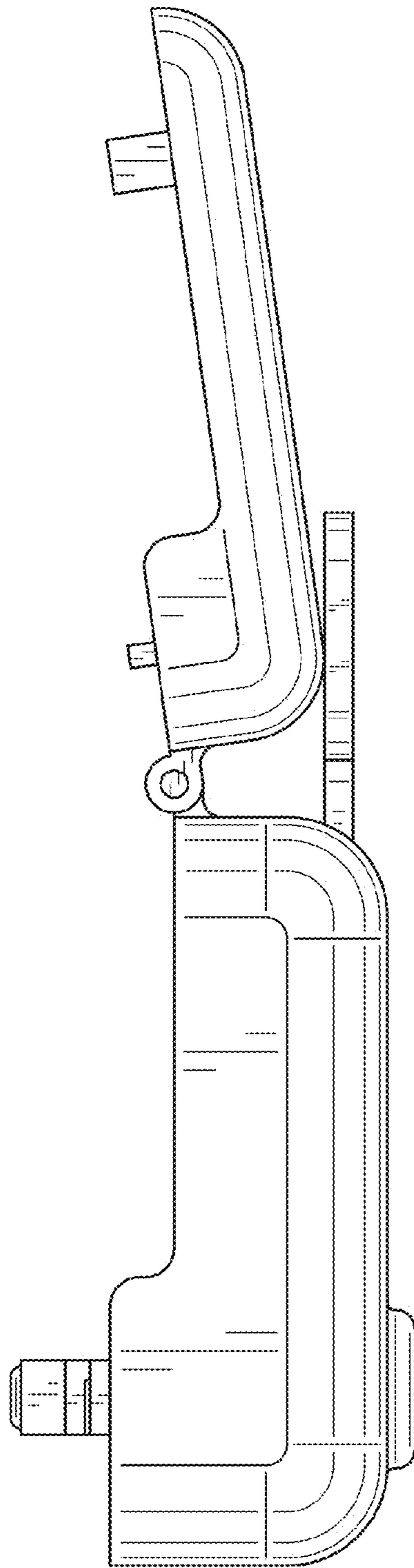


FIG. 12

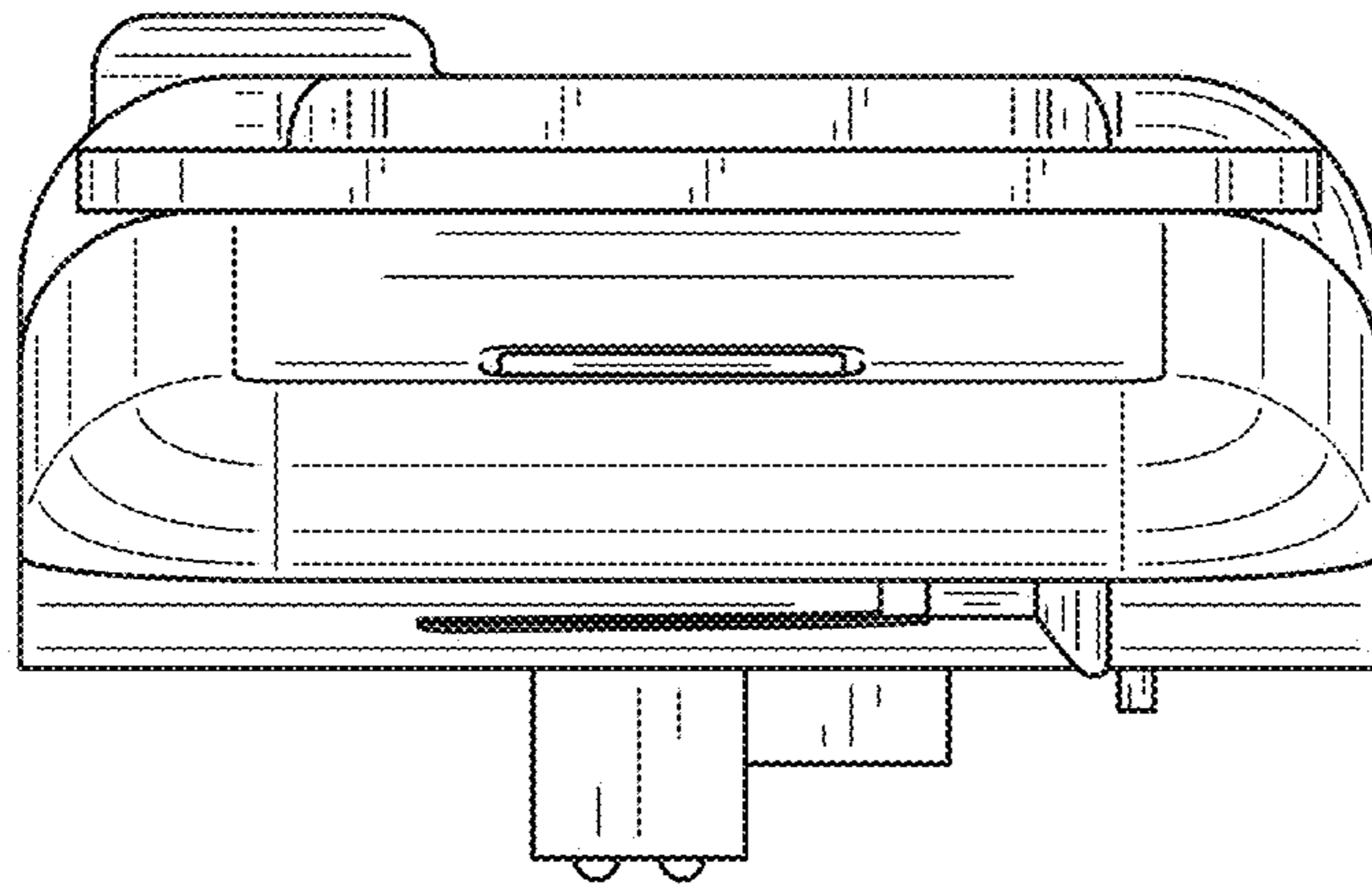


FIG. 13

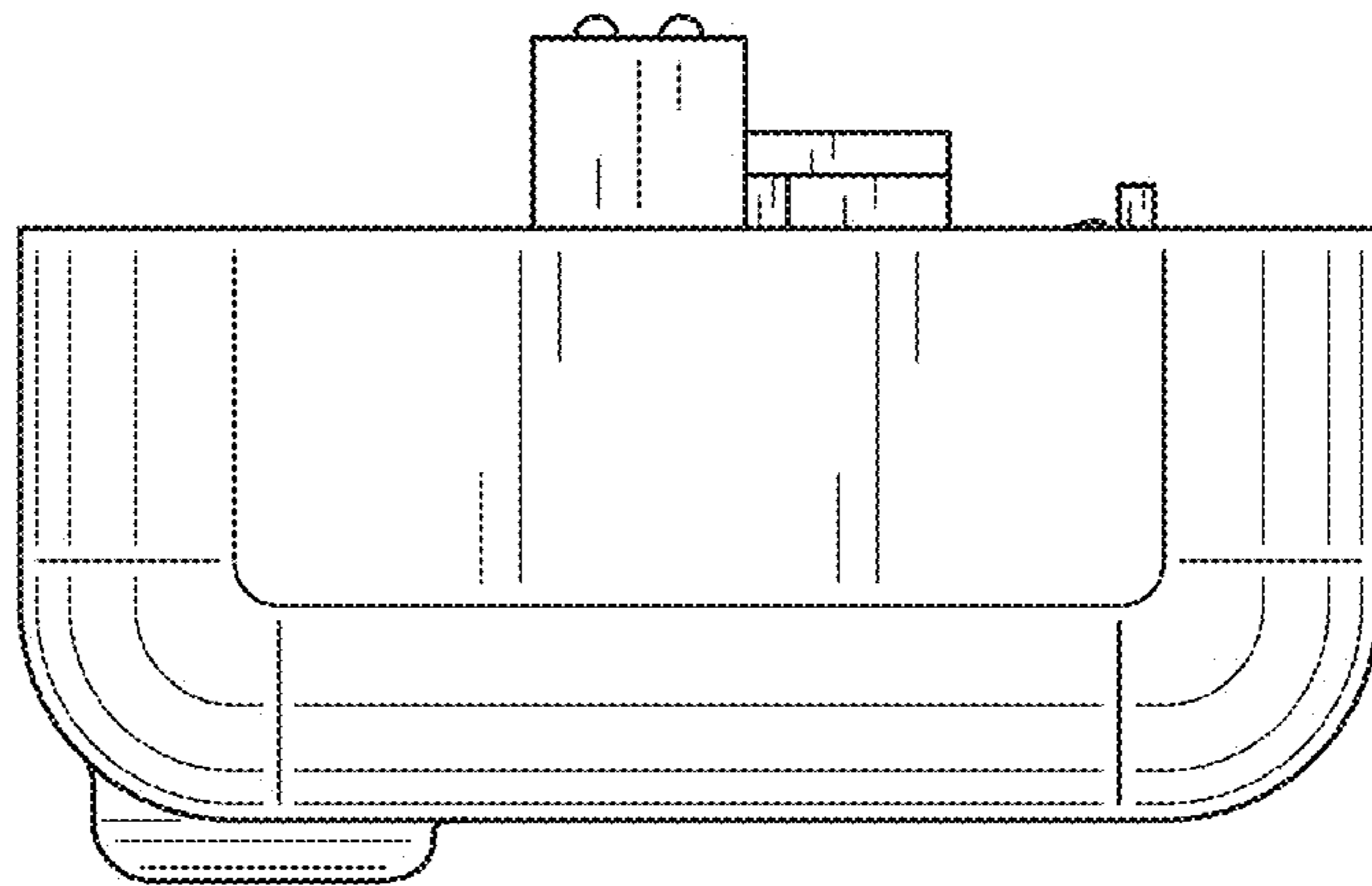


FIG. 14