

US00D697824S

(12) **United States Design Patent**
Rifle

(10) **Patent No.:** **US D697,824 S**
(45) **Date of Patent:** **** Jan. 21, 2014**

- (54) **WRENCH GAUGE CALIPER**
- (76) Inventor: **Richard Riffle**, Raymore, MO (US)
- (**) Term: **14 Years**
- (21) Appl. No.: **29/427,693**
- (22) Filed: **Jul. 20, 2012**
- (51) **LOC (10) Cl.** **10-04**
- (52) **U.S. Cl.**
USPC **D10/73**
- (58) **Field of Classification Search**
USPC D10/73; 33/783-831, 501.05, 501.08,
33/501.09
See application file for complete search history.

D366,431 S * 1/1996 Saka D10/73
 5,548,903 A * 8/1996 Johnson et al. 33/810
 D428,819 S * 8/2000 Kwon D10/73

* cited by examiner

Primary Examiner — Antoine D Davis
 (74) *Attorney, Agent, or Firm* — QuickPatents; Kevin Prince

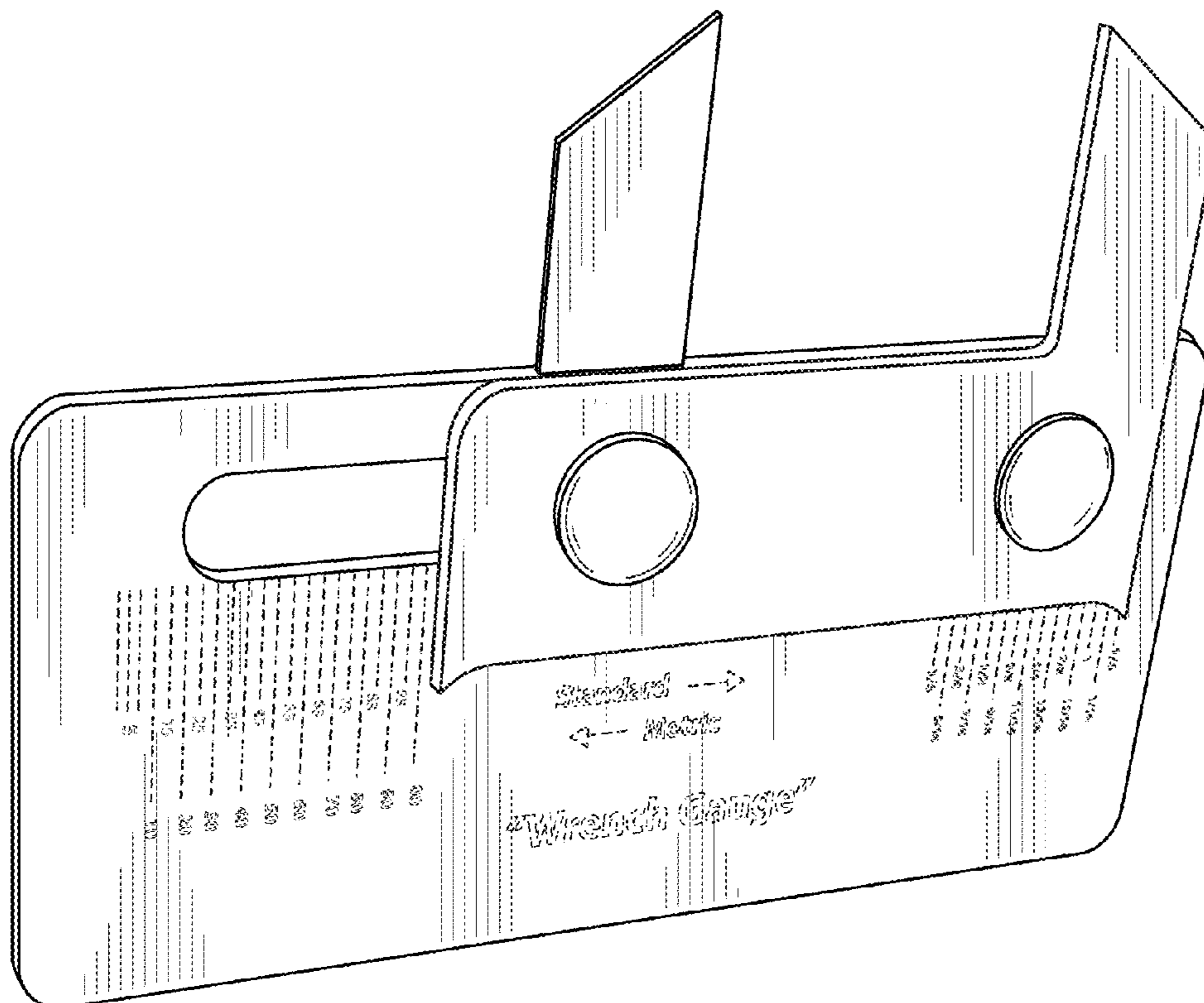
(57) **CLAIM**
 I claim the ornamental design for a wrench gauge caliper, as shown and described.

DESCRIPTION

FIG. 1 is a perspective view of a wrench gauge caliper, showing my new design in an extended position;
 FIG. 2 is a front elevational view of FIG. 1;
 FIG. 3 is a rear elevational view of FIG. 1;
 FIG. 4 is a left-side elevational view of FIG. 1;
 FIG. 5 is a right-side elevational view of FIG. 1;
 FIG. 6 is a top plan view of FIG. 1;
 FIG. 7 is a bottom plan view of FIG. 1; and,
 FIG. 8 is a perspective view thereof, illustrated in a retracted position.
 The broken lines showing a text and rule lines in FIGS. 1, 2 and 8 depict environmental matter and form no part of the claimed design.

- (56) **References Cited**
 U.S. PATENT DOCUMENTS
 D223,723 S * 5/1972 Thompson D10/73
 3,751,814 A * 8/1973 Crawford 33/810
 D247,849 S * 5/1978 Pierce et al. D10/73
 D251,495 S * 4/1979 Harrison et al. D10/73
 4,730,399 A * 3/1988 Campbell 33/810

1 Claim, 3 Drawing Sheets



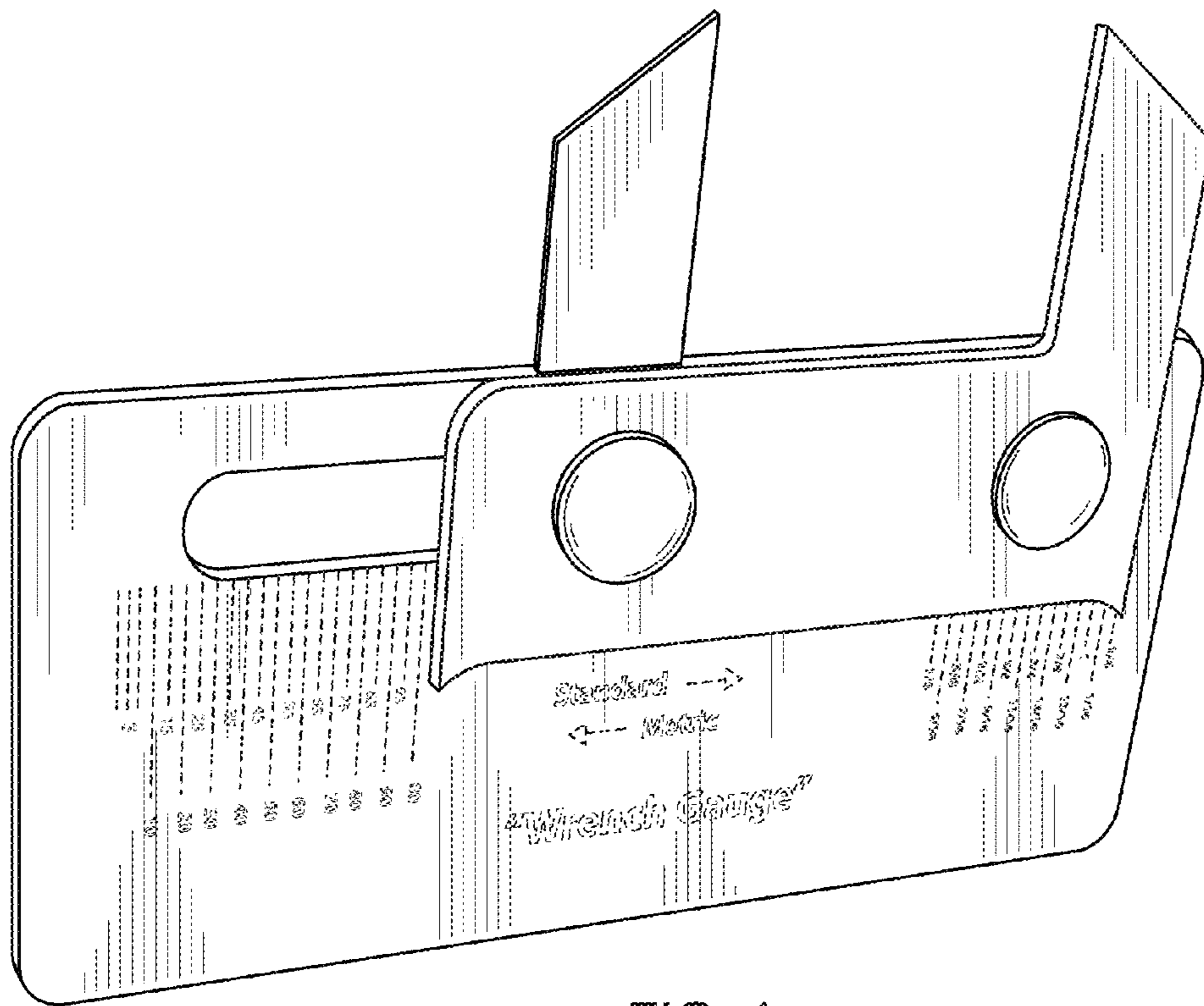


FIG. 1

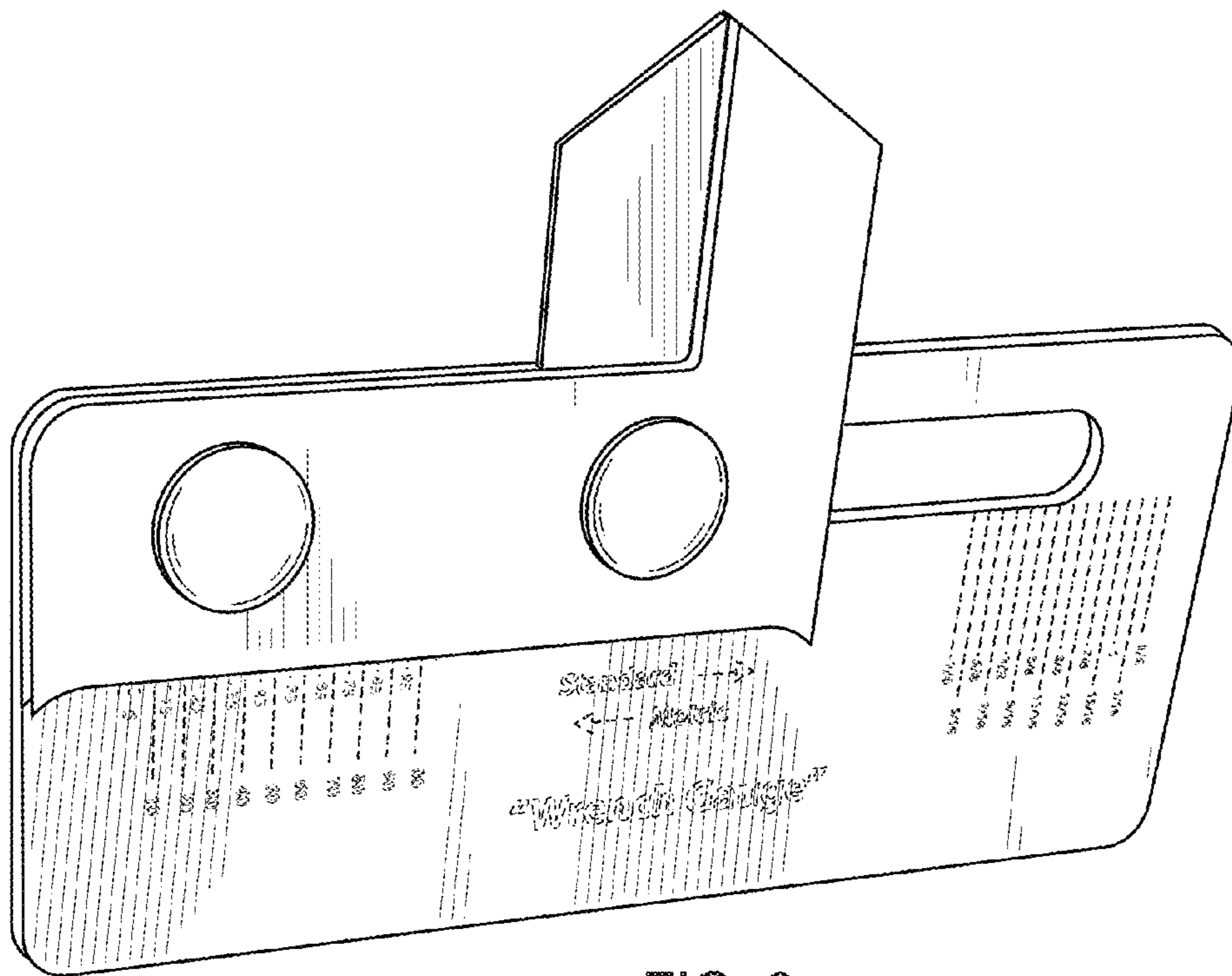


FIG. 8

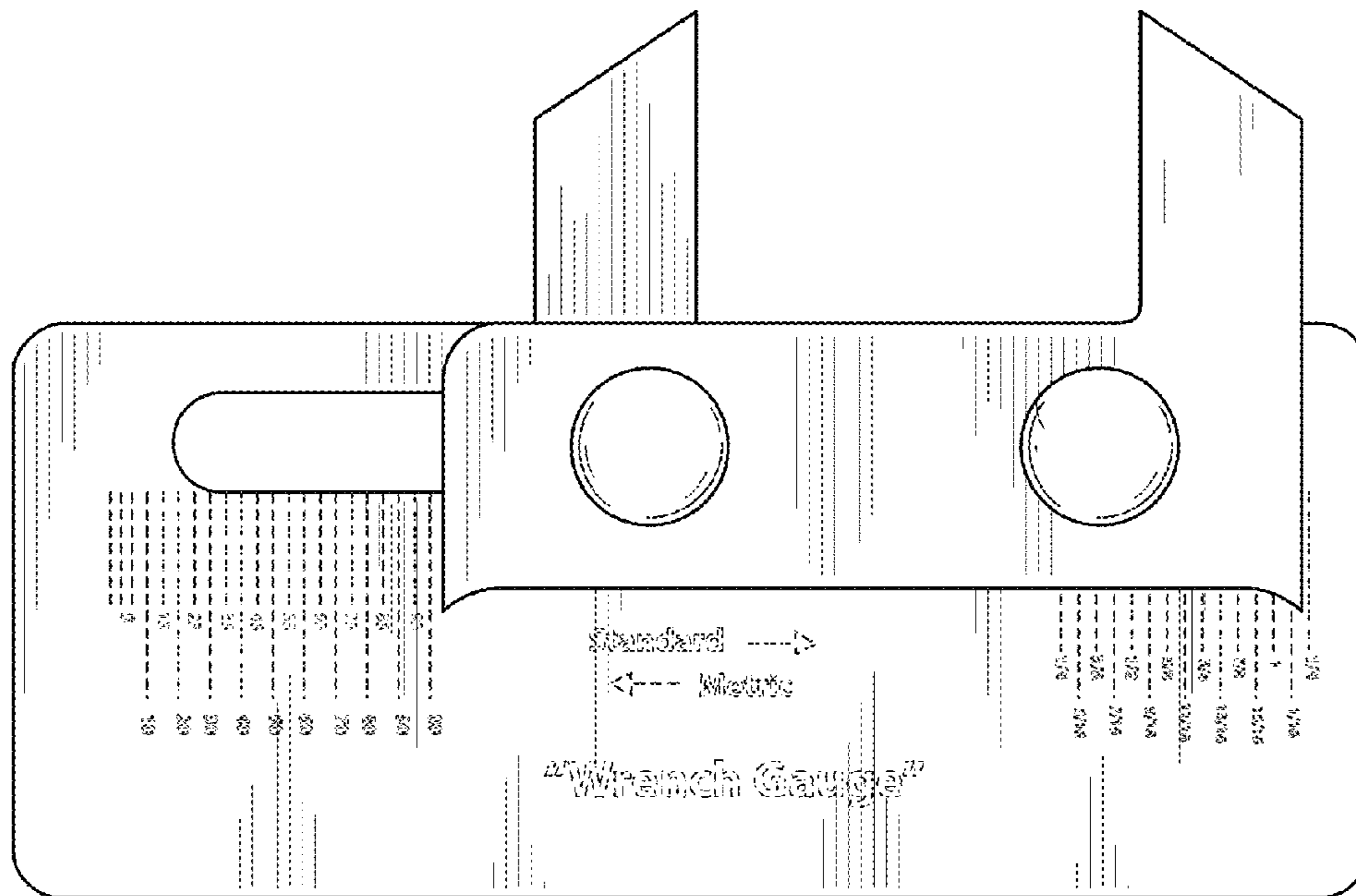


FIG. 2

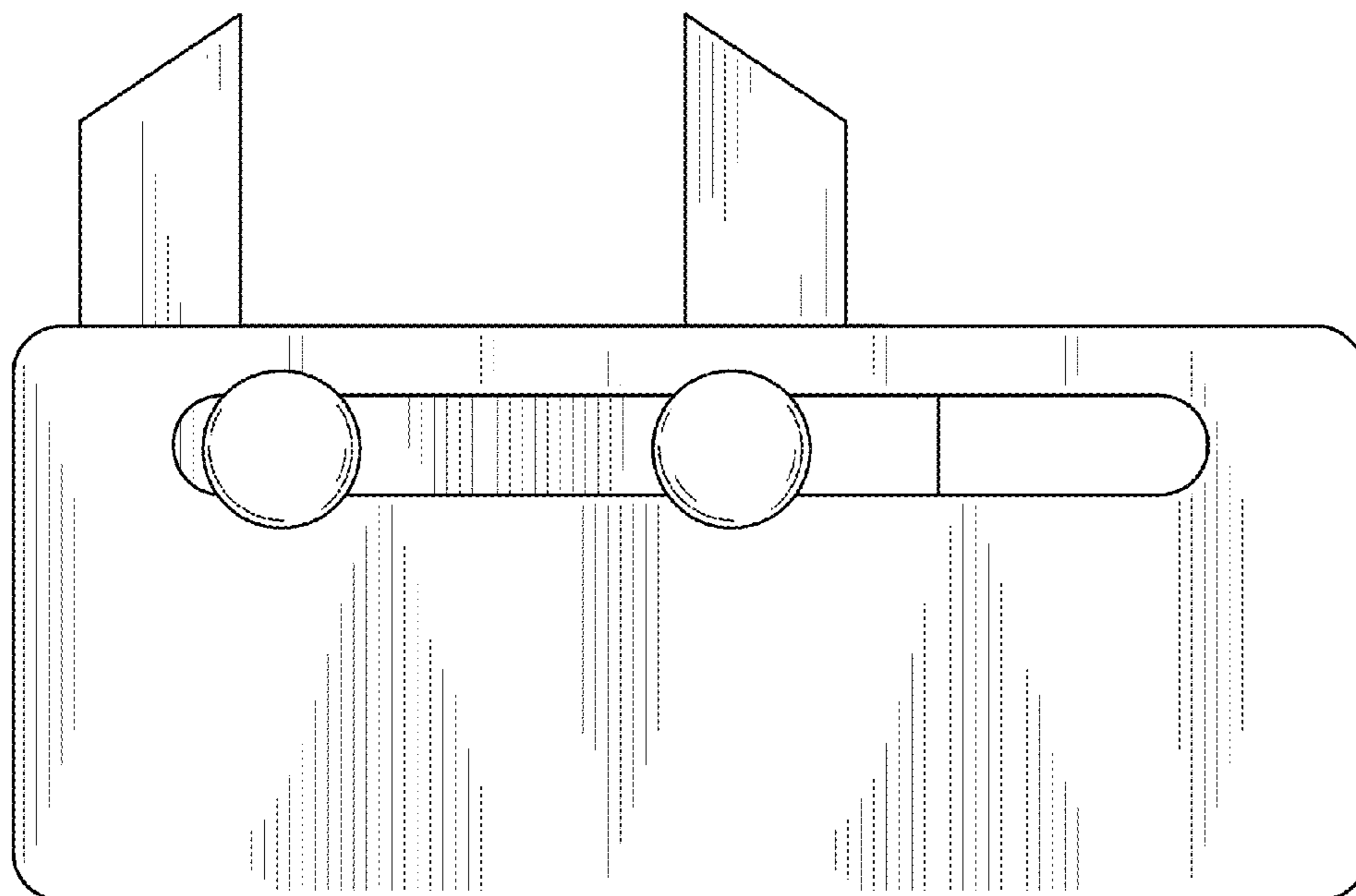


FIG. 3



FIG. 4

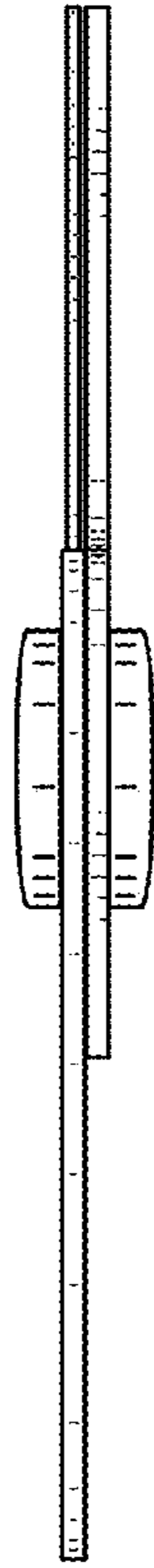


FIG. 5

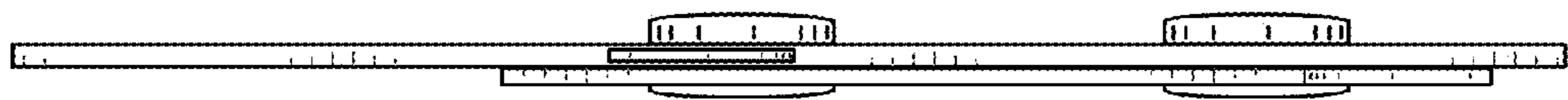


FIG. 6



FIG. 7