



US00D697823S

(12) **United States Design Patent**  
**Mijatovic**

(10) **Patent No.:** **US D697,823 S**

(45) **Date of Patent:** **\*\* Jan. 21, 2014**

(54) **WRISTWATCH**

(71) Applicant: **Sowind SA**, La Chaux-de-Fonds (CH)

(72) Inventor: **Miodrag-Mijat Mijatovic**, Preverenges (CH)

(\*\*) Term: **14 Years**

(21) Appl. No.: **29/455,355**

(22) Filed: **May 20, 2013**

(51) **LOC (10) Cl.** ..... **10-02**

(52) **U.S. Cl.**  
USPC ..... **D10/32**

(58) **Field of Classification Search**  
USPC ..... D10/30-39, 122-132; 368/276, 281,  
368/282, 223, 80, 228, 232; D11/3  
See application file for complete search history.

(56) **References Cited**

**U.S. PATENT DOCUMENTS**

D71,557 S	*	11/1926	Lederer	.....	D11/3
D353,780 S	*	12/1994	Schneider	.....	D10/32
D369,302 S	*	4/1996	Wood	.....	D10/32
6,200,019 B1	*	3/2001	Latini	.....	368/289
D459,241 S	*	6/2002	Bodino	.....	D10/32
D524,171 S	*	7/2006	Monachon	.....	D10/32

D533,088 S	*	12/2006	Bedat	.....	D10/39
D537,737 S	*	3/2007	Galli	.....	D10/31
D551,095 S	*	9/2007	Monachon	.....	D10/32
D555,518 S	*	11/2007	Borraccino et al.	.....	D10/39
D555,519 S	*	11/2007	Borraccino et al.	.....	D10/39
D570,230 S	*	6/2008	Monachon	.....	D10/32
D624,834 S	*	10/2010	Modolo	.....	D10/39
D656,044 S	*	3/2012	Favre	.....	D10/38

\* cited by examiner

*Primary Examiner* — Lucy Lieberman

(74) *Attorney, Agent, or Firm* — Sughrue Mion, PLLC

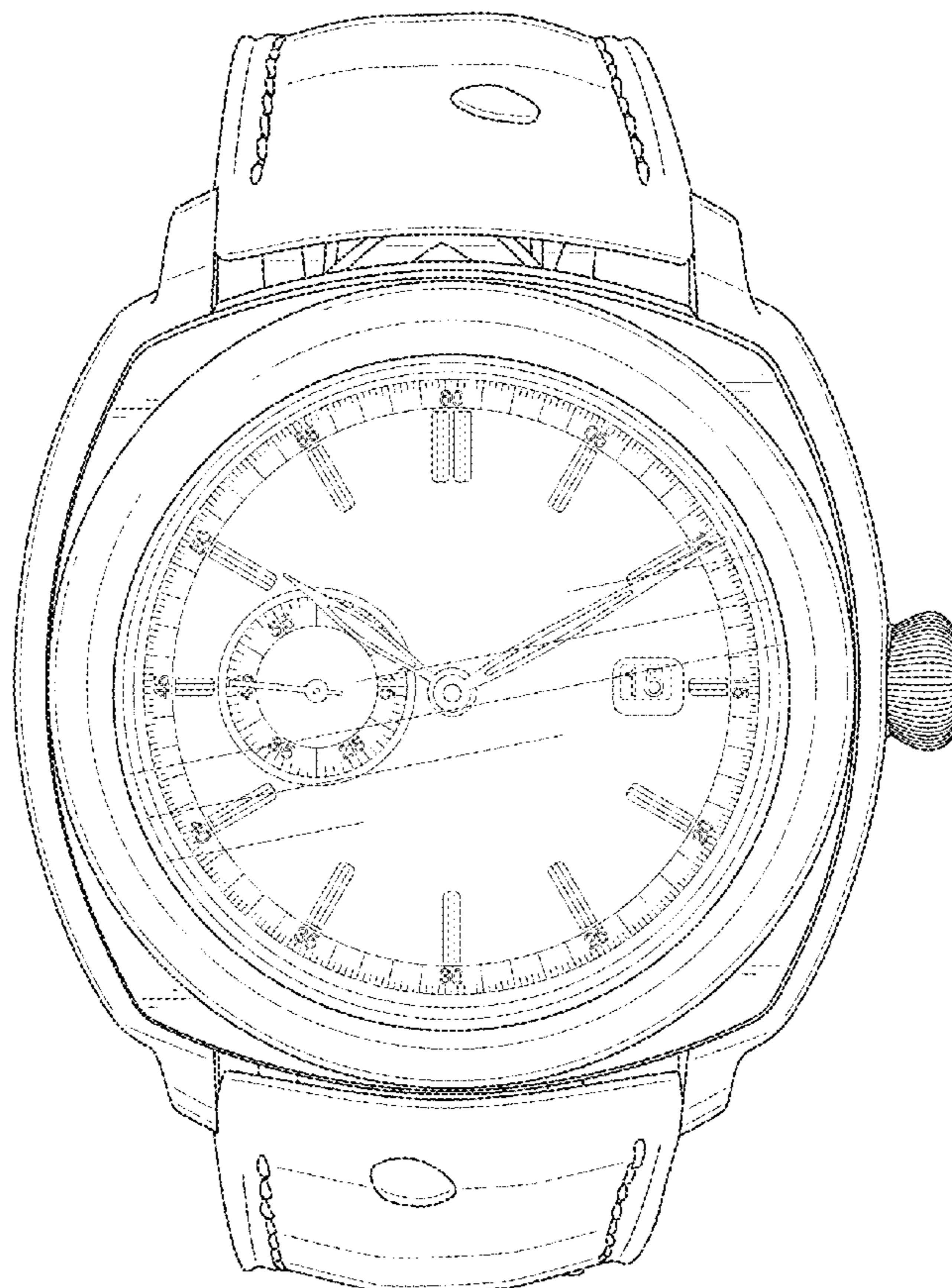
(57) **CLAIM**

The ornamental design for a wristwatch, as shown and described.

**DESCRIPTION**

FIG. 1 is a perspective view of the front and right side of a wristwatch showing my new design;  
FIG. 2 is a perspective view of the rear and right side thereof;  
FIG. 3 is a front elevational view thereof;  
FIG. 4 is a rear elevational view thereof;  
FIG. 5 is a left side elevational view thereof;  
FIG. 6 is a right side elevational view thereof;  
FIG. 7 is a top plan view thereof; and,  
FIG. 8 is a bottom plan view thereof.

**1 Claim, 8 Drawing Sheets**



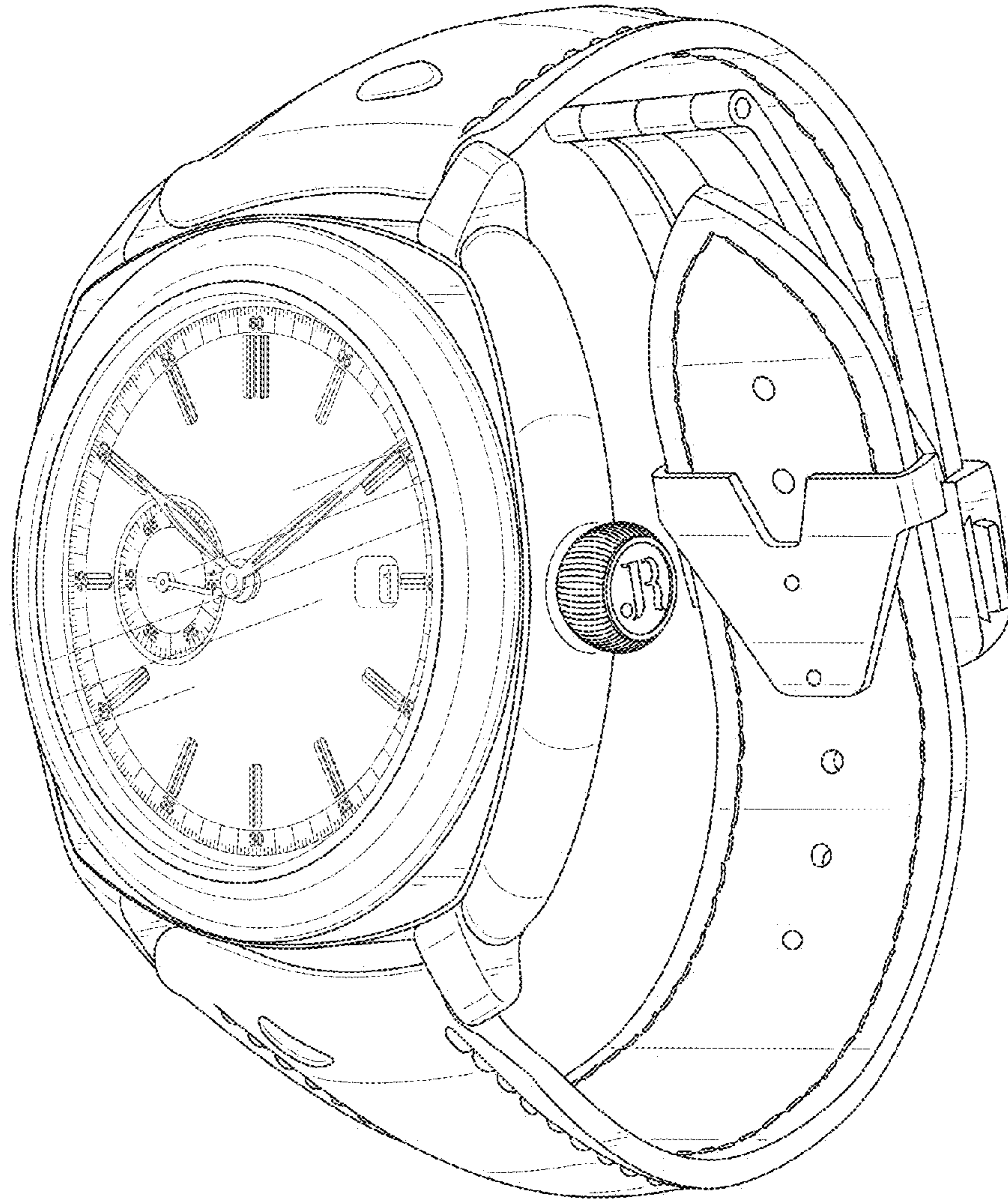


FIG. 1

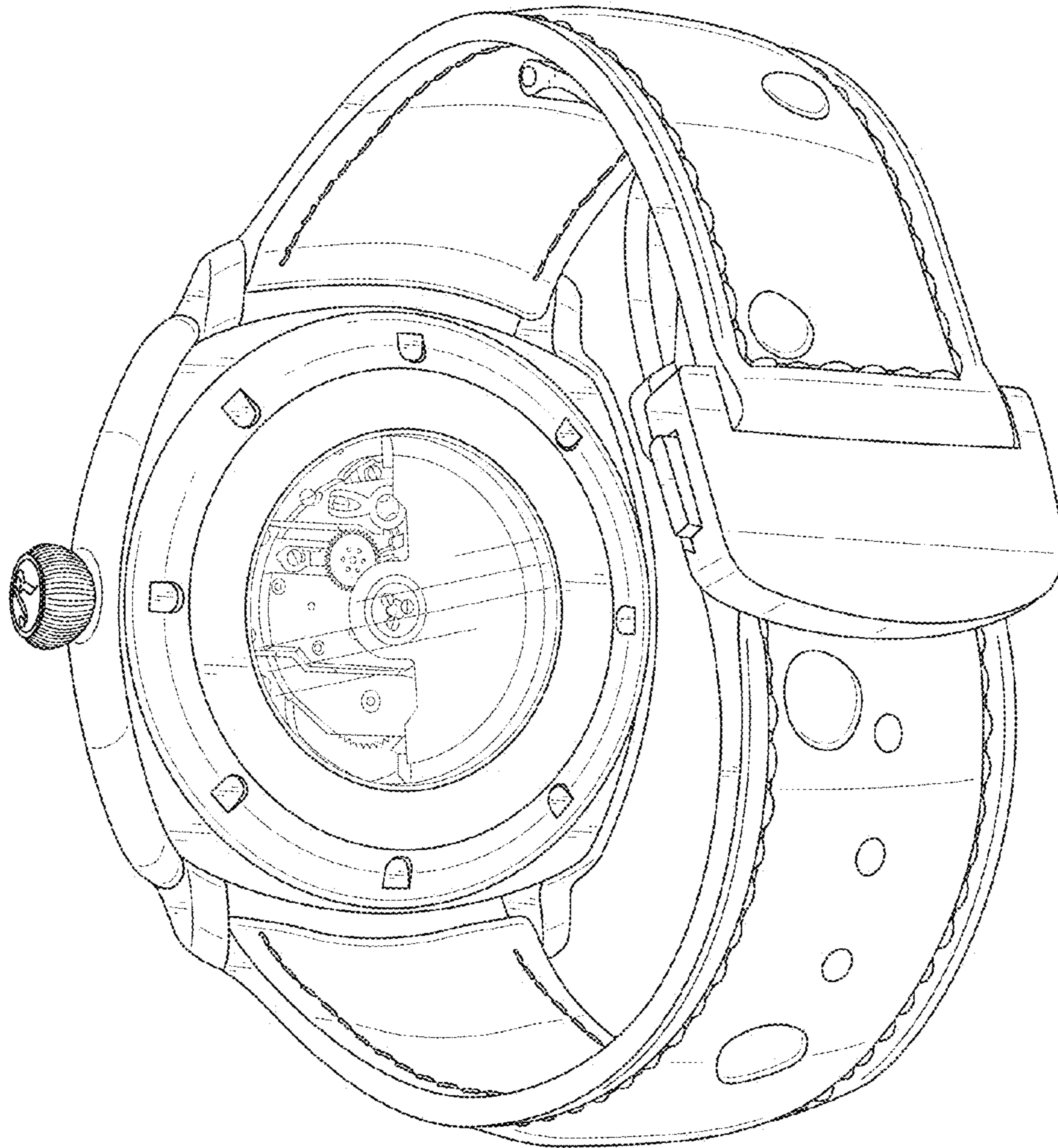


FIG. 2





FIG. 3

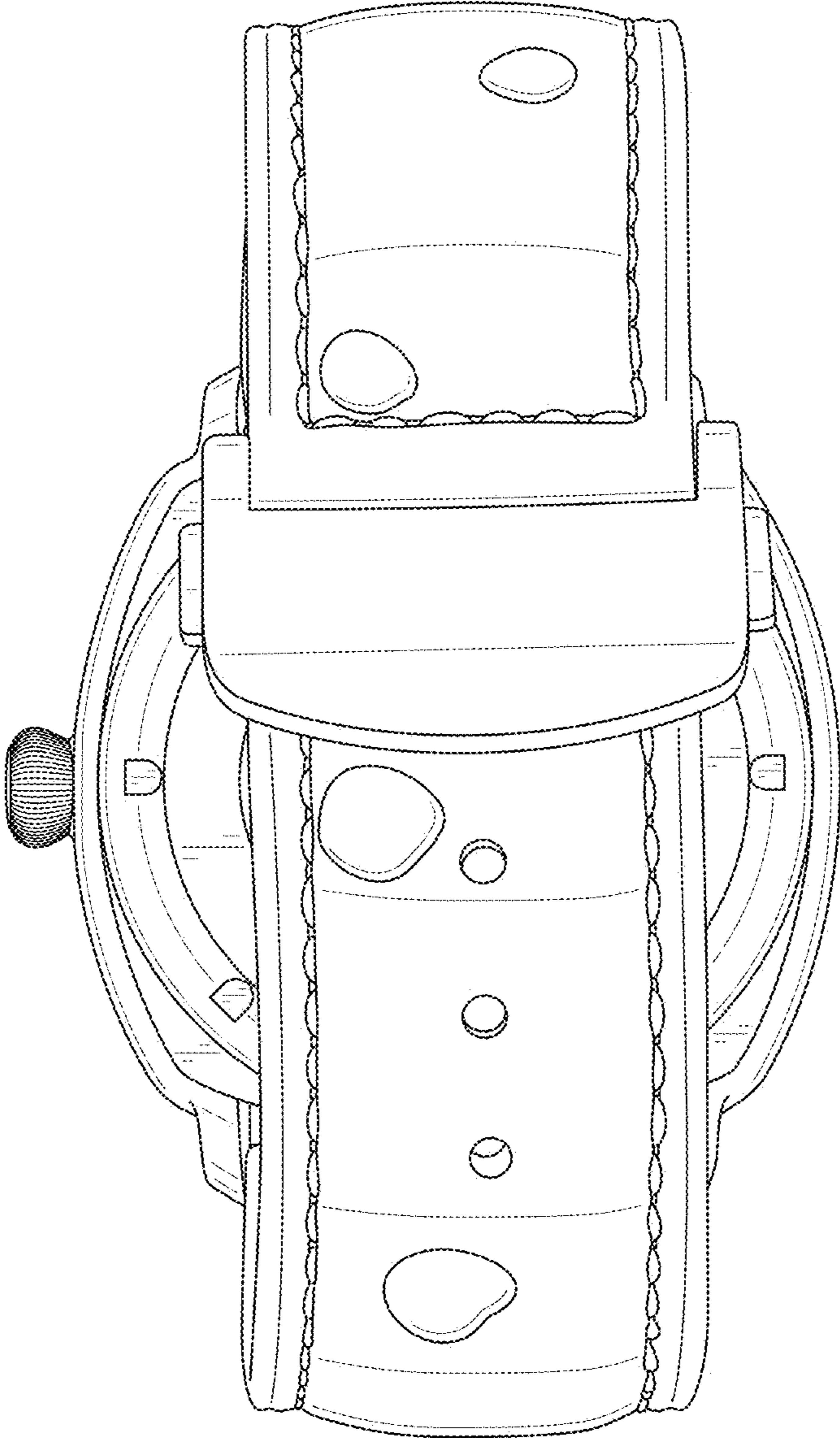


FIG. 4

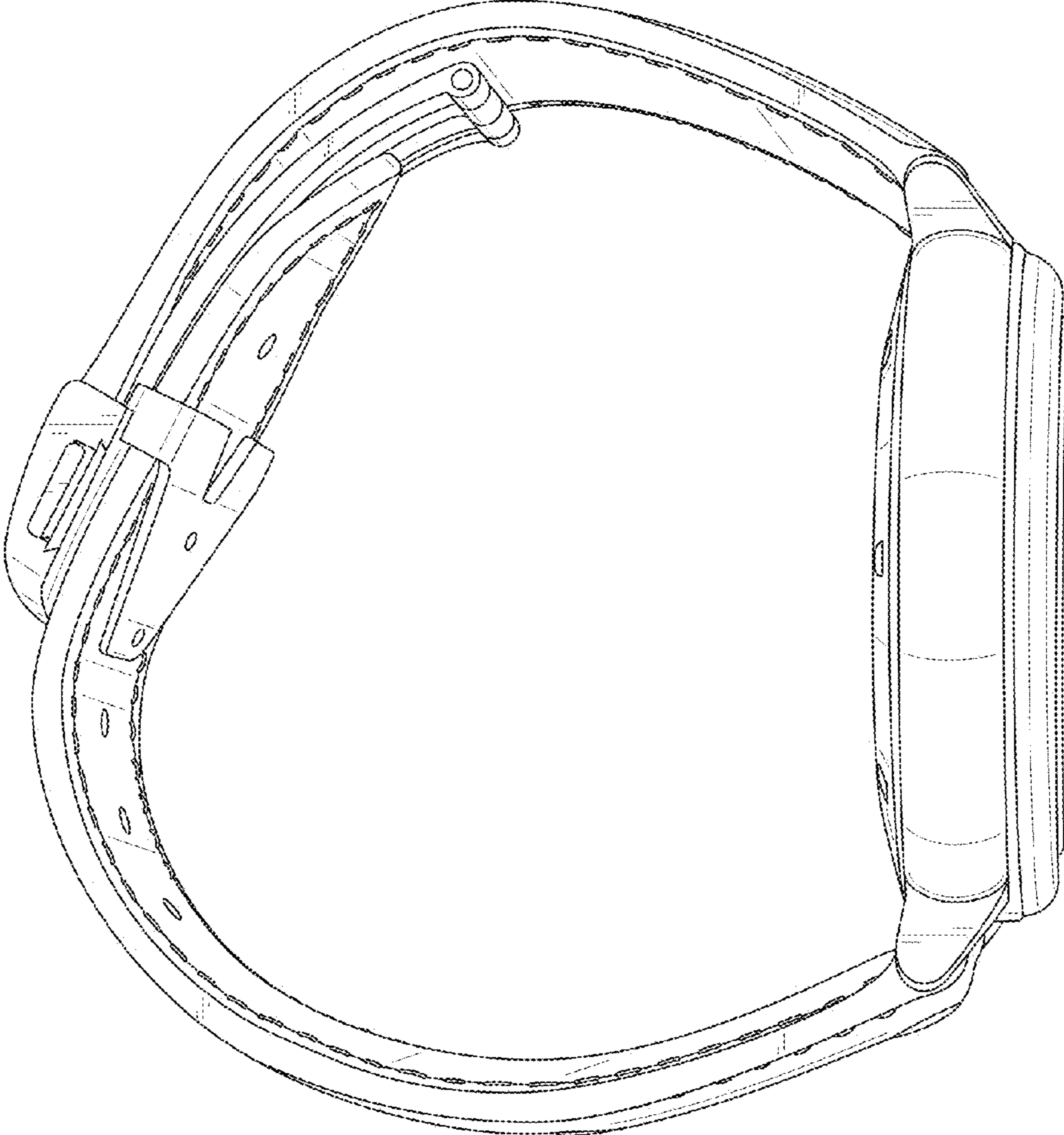


FIG. 5

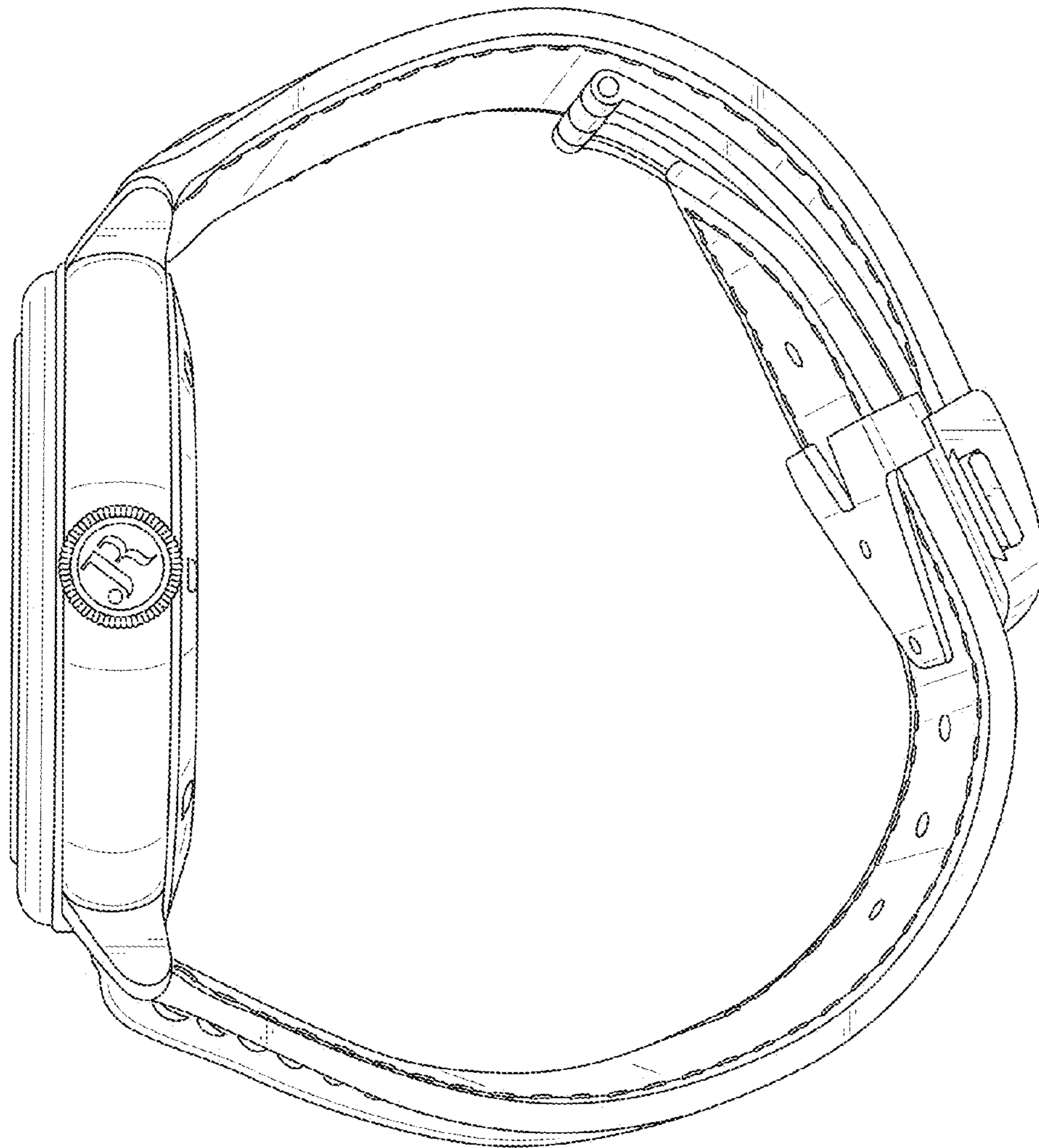


FIG. 6



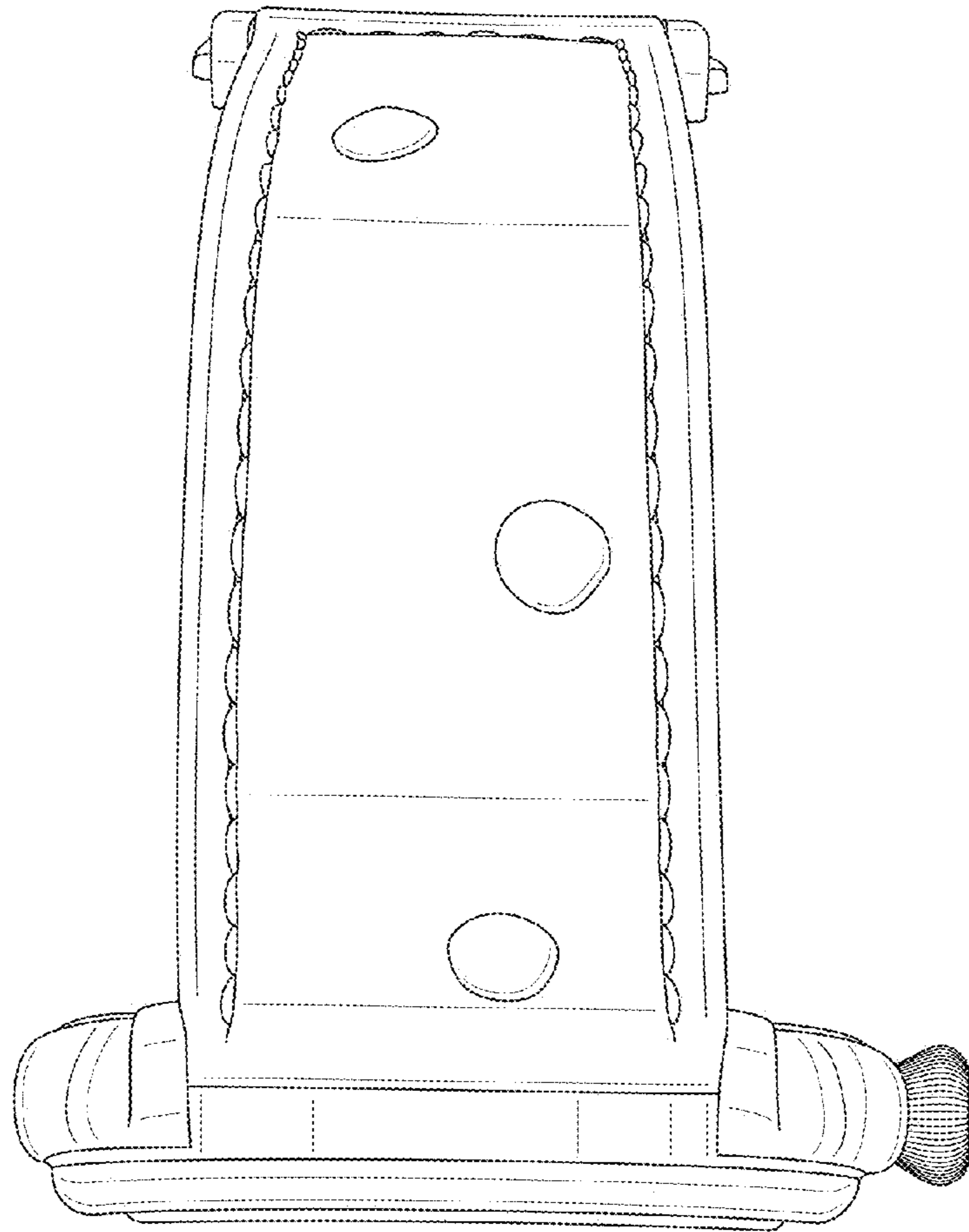


FIG. 7



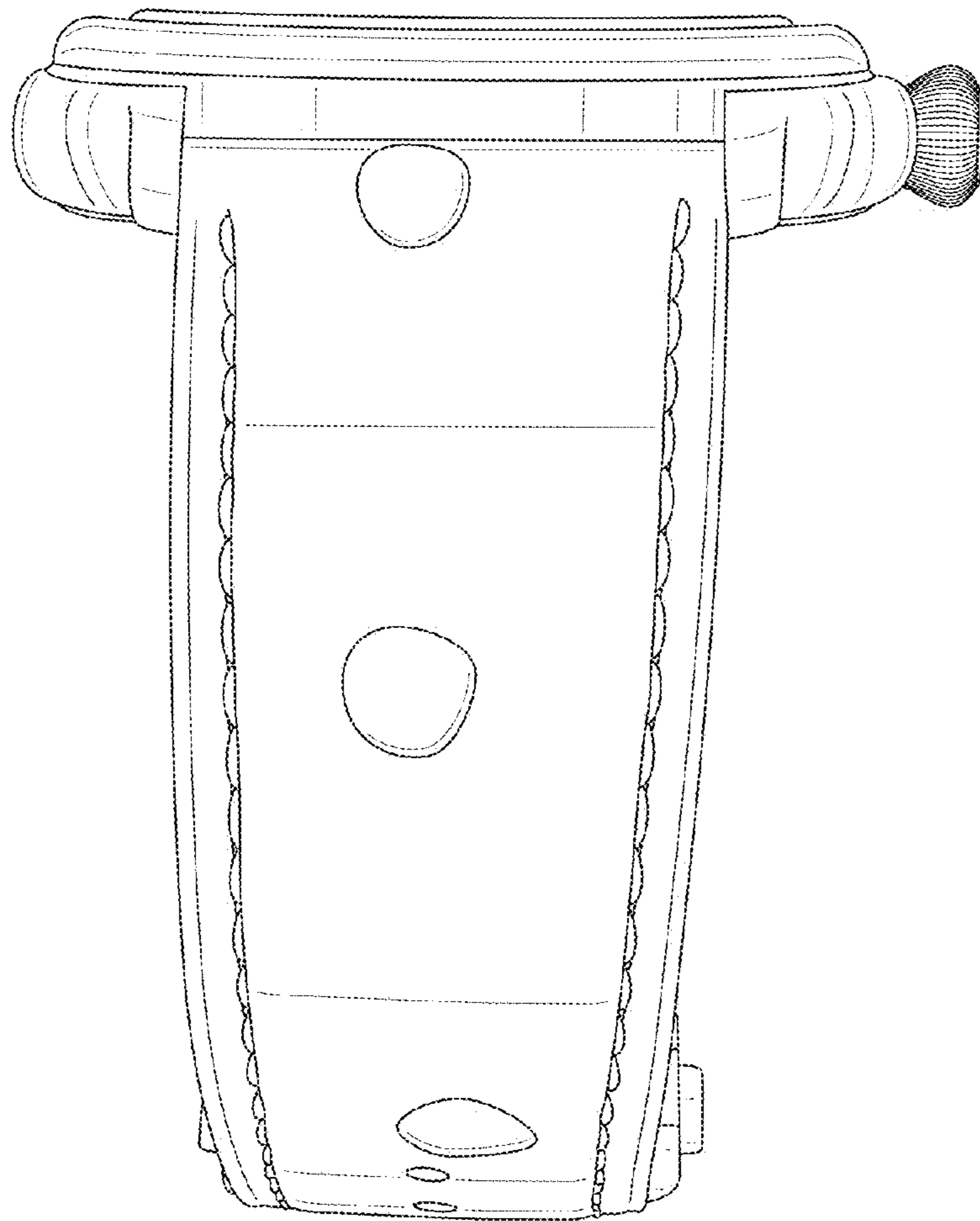


FIG. 8