



US00D697813S

(12) **United States Design Patent**
Limback

(10) **Patent No.:** **US D697,813 S**
(45) **Date of Patent:** **** Jan. 21, 2014**

(54) **CLAMSHELL HAVING BLISTERS RECEIVED THEREIN**

(75) Inventor: **Nancy Gail Limback**, Bridgewater, NJ (US)

(73) Assignee: **Aventisub II Inc.**, Greenville, DE (US)

(**) Term: **14 Years**

(21) Appl. No.: **29/429,016**

(22) Filed: **Aug. 6, 2012**

Related U.S. Application Data

(63) Continuation-in-part of application No. 29/416,880, filed on Mar. 28, 2012.

(51) **LOC (10) Cl.** **09-01**

(52) **U.S. Cl.**
USPC **D9/652; D9/732**

(58) **Field of Classification Search**
USPC D9/600, 652, 730-733, 414-415, 420, D9/423-426; 206/457, 461-471, 495
See application file for complete search history.

(56) **References Cited**

U.S. PATENT DOCUMENTS

D58,905 S	9/1921	Harrington
D117,605 S	11/1939	Blunt
2,317,860 A	4/1943	Sorensen
D190,530 S	6/1961	Bender et al.
3,054,503 A	9/1962	Hartman, Jr. et al.
3,122,441 A	2/1964	Smith
D200,000 S	1/1965	Richards et al.
3,255,928 A	6/1966	Foster
3,331,495 A	7/1967	Leckzik et al.
3,387,699 A	6/1968	Heller
3,429,426 A	2/1969	Wolf et al.
3,540,579 A	11/1970	Hellstrom
D220,750 S	5/1971	Artz
D220,752 S	5/1971	Artz

3,620,411 A	11/1971	Rump
D234,294 S	2/1975	Gorman
D253,040 S	10/1979	Fournier et al.
D253,167 S	10/1979	Fournier et al.
D253,222 S	10/1979	Fournier et al.
D253,515 S	11/1979	Meierhoefer
D253,516 S	11/1979	Meierhoefer
D253,751 S	12/1979	Meierhoefer
4,266,666 A	5/1981	Kuchenbecker
D271,283 S	11/1983	Taylor
4,537,312 A	8/1985	Intini

(Continued)

FOREIGN PATENT DOCUMENTS

WO 2007/141869 A1 12/2007

OTHER PUBLICATIONS

U.S. Office Action dated Oct. 3, 2012 issued in U.S. Appl. No. 29/416,879.

(Continued)

Primary Examiner — Sandra Morris

(74) *Attorney, Agent, or Firm* — Scully, Scott, Murphy & Presser, P.C.

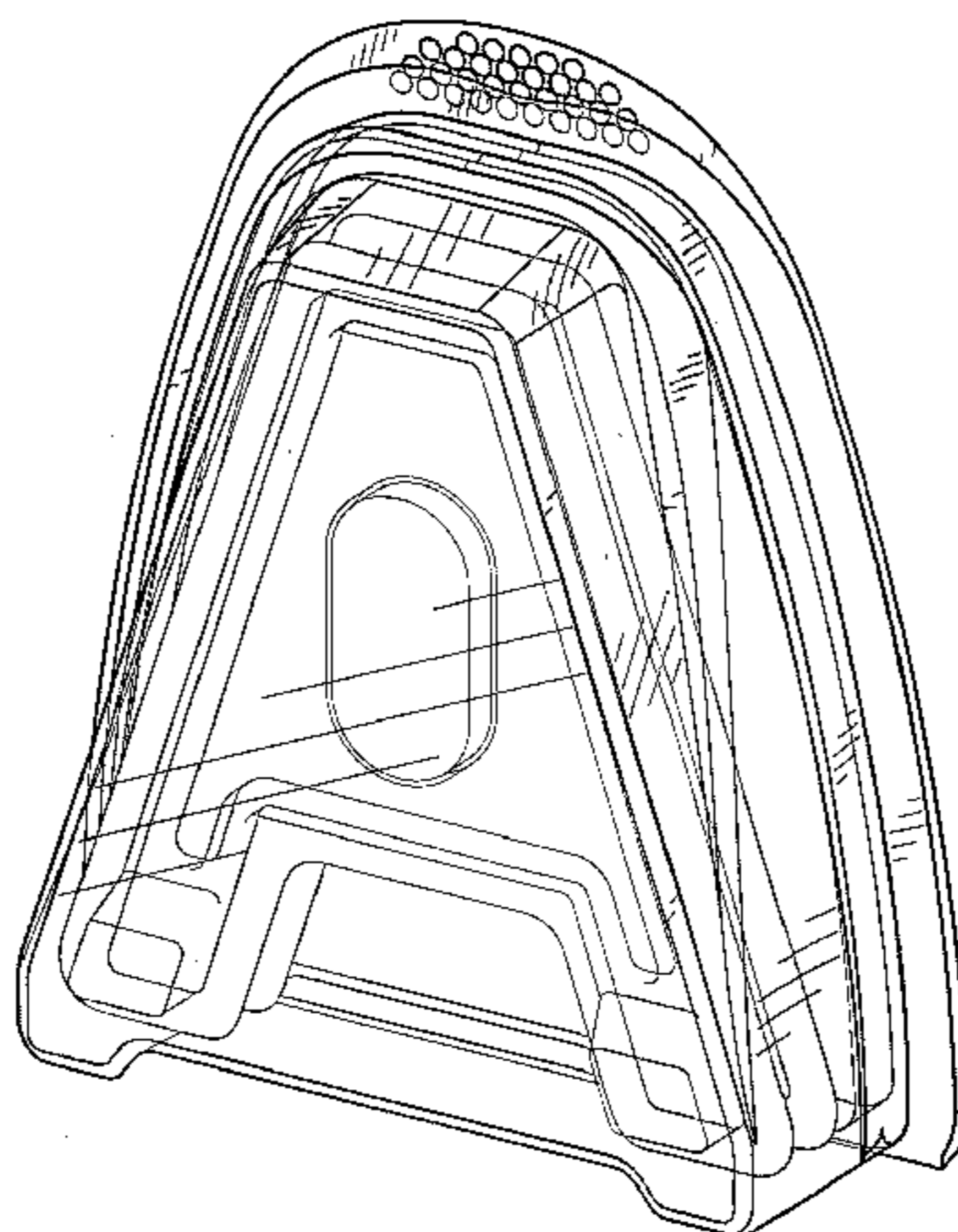
(57) **CLAIM**

The ornamental design for a clamshell having blisters received therein, as shown.

DESCRIPTION

FIG. 1 is a perspective view of a clamshell having blisters received therein showing my new design;
FIG. 2 is a front elevation view thereof;
FIG. 3 is a rear elevation view thereof;
FIG. 4 is a side elevation view thereof;
FIG. 5 is an opposite side elevation view thereof;
FIG. 6 is a top view thereof; and,
FIG. 7 is a bottom view thereof.

1 Claim, 5 Drawing Sheets



(56)

References Cited

U.S. PATENT DOCUMENTS

D280,387 S	9/1985	Morgan	5,522,506 A	6/1996	Roulin et al.
4,574,951 A	3/1986	Weaver	5,529,188 A	6/1996	Coggswell
D285,176 S	8/1986	Kodousek et al.	5,549,204 A	8/1996	Toren
D286,140 S	10/1986	Kodousek et al.	D373,530 S	9/1996	Levy et al.
4,660,991 A	4/1987	Simon	5,555,707 A	9/1996	Schwenger
4,805,377 A	2/1989	Carter	5,560,490 A	10/1996	Chawla
4,817,819 A	4/1989	Kelly	D378,272 S	3/1997	Weatherford et al.
4,838,425 A	6/1989	O'Brien et al.	5,624,036 A	4/1997	Roulin et al.
D303,931 S	10/1989	Miller et al.	5,630,347 A	5/1997	Elvio
4,876,843 A	10/1989	O'Brien et al.	D380,960 S	7/1997	Blotsky
D305,000 S	12/1989	Hernandez	D382,474 S	8/1997	Malmborg
4,884,693 A	12/1989	Brütsch	D384,283 S	9/1997	Davies et al.
4,890,763 A	1/1990	Curiel	D385,024 S	10/1997	Roberts
D305,870 S	2/1990	Perkins	D386,681 S	11/1997	Reil
D306,405 S	3/1990	Kuerti	D387,977 S	12/1997	Källgren
D306,825 S	3/1990	Siegel	5,695,063 A	12/1997	Roulin et al.
4,905,866 A	3/1990	Bartell et al.	D391,156 S	2/1998	Stevens
D307,554 S	5/1990	McAlister, Sr.	D392,562 S	3/1998	Lo
4,945,708 A	8/1990	Curiel	D392,802 S	3/1998	Malmborg
4,947,620 A	8/1990	Carter	D392,883 S	3/1998	Ferrin
4,955,481 A	9/1990	Novinski et al.	5,722,563 A	3/1998	Hunts
D311,332 S	10/1990	Miller et al.	5,740,938 A	4/1998	Hofmann et al.
4,962,856 A	10/1990	Carter	D394,003 S	5/1998	Tate
D313,182 S	12/1990	Diepois	5,752,615 A	5/1998	Hofmann et al.
4,975,015 A	12/1990	Harding	5,756,577 A	5/1998	Gutiérrez-Villarreal
4,988,004 A	1/1991	Intini	5,758,774 A	6/1998	Leblong
4,998,623 A	3/1991	Doull	5,775,505 A	7/1998	Vasquez et al.
5,014,851 A	5/1991	Wick	5,785,180 A	7/1998	Dressel et al.
5,033,251 A	7/1991	Rodriguez	5,786,598 A	7/1998	Clark et al.
5,033,252 A	7/1991	Carter	5,791,478 A	8/1998	Kalvelage et al.
5,040,353 A	8/1991	Evans et al.	5,794,781 A	8/1998	Roulin et al.
D319,577 S	9/1991	Schwarz	D398,521 S	9/1998	Coe
5,046,618 A	9/1991	Wood	5,802,804 A	9/1998	Esposti et al.
5,050,739 A	9/1991	Hannan et al.	5,819,940 A	10/1998	Roulin et al.
5,052,558 A	10/1991	Carter	5,833,071 A	11/1998	Ray
5,067,611 A	11/1991	Hagmann et al.	5,833,072 A	11/1998	Lambelet, Jr.
D325,526 S	4/1992	Deguchi et al.	D403,955 S	1/1999	Siegel et al.
5,109,984 A	5/1992	Romick	D404,644 S	1/1999	Meeker
D327,425 S	6/1992	Hamada et al.	5,858,401 A	1/1999	Bhalani et al.
D327,426 S	6/1992	Karita et al.	D405,361 S	2/1999	Cameron et al.
5,129,527 A	7/1992	Lataix	5,873,860 A	2/1999	Kahlert
5,150,793 A	9/1992	Tannenbaum	5,878,887 A	3/1999	Parker et al.
D331,011 S	11/1992	Karita et al.	5,879,612 A	3/1999	Zeiter et al.
D331,012 S	11/1992	Karita et al.	D408,278 S	4/1999	Konop
5,172,812 A	12/1992	Wharton et al.	5,904,249 A	5/1999	Roulin et al.
5,203,455 A	4/1993	Hewelt et al.	D411,445 S	6/1999	Anderson
D336,040 S	6/1993	Philippe	5,911,319 A	6/1999	Porcelli et al.
5,244,091 A	9/1993	Tannenbaum	5,911,325 A	6/1999	Breitler
5,251,757 A	10/1993	Relyea et al.	5,927,500 A	7/1999	Godfrey et al.
5,310,060 A	5/1994	Bitner et al.	5,944,191 A	8/1999	Ray et al.
5,323,587 A	6/1994	Amaranti	D414,106 S	9/1999	Anderson
5,323,907 A	6/1994	Kalvelage	5,954,204 A	9/1999	Grabowski
5,344,018 A	9/1994	Severin	D415,416 S	10/1999	Anderson et al.
D351,343 S	10/1994	Kellar et al.	D416,484 S	11/1999	Voden
5,358,118 A	10/1994	Thompson et al.	D417,148 S	11/1999	Anderson et al.
D352,236 S	11/1994	Althaus	5,975,304 A	11/1999	Cain et al.
D352,237 S	11/1994	Reardon et al.	D419,439 S	1/2000	Markovsky et al.
5,360,116 A	11/1994	Schmiletzky	6,010,784 A	1/2000	Peterson
5,363,968 A	11/1994	Soloman	6,024,222 A	2/2000	Friberg et al.
D353,092 S	12/1994	Green	D421,385 S	3/2000	Meeker et al.
D354,911 S	1/1995	Weatherford et al.	D421,899 S	3/2000	Eneroth et al.
5,377,839 A	1/1995	Relyea et al.	D421,900 S	3/2000	Eneroth et al.
5,412,372 A	5/1995	Parkhurst et al.	6,036,016 A	3/2000	Arnold
5,415,321 A	5/1995	Gehlert et al.	6,053,321 A	4/2000	Kayser
D359,678 S	6/1995	Weatherford et al.	6,055,794 A	5/2000	Breitler
D359,679 S	6/1995	Weatherford et al.	D427,061 S	6/2000	Niksich
5,437,371 A	8/1995	Lataix	6,082,544 A	7/2000	Romick
5,442,892 A	8/1995	Burns, III et al.	D430,015 S	8/2000	Himbert et al.
5,450,710 A	9/1995	Jensen et al.	6,109,000 A	8/2000	Conti
5,457,895 A	10/1995	Thompson et al.	D431,459 S	10/2000	Lee
5,460,471 A	10/1995	Connor et al.	D431,863 S	10/2000	Richardson
5,469,968 A	11/1995	Matthews et al.	6,135,755 A	10/2000	Zeiter et al.
D366,829 S	2/1996	Chervenak et al.	6,138,830 A	10/2000	Muggli
5,489,025 A	2/1996	Romick	6,155,414 A	12/2000	Vaessen
5,509,773 A	4/1996	Connor et al.	6,155,423 A	12/2000	Katzner et al.
			6,161,699 A	12/2000	Gartland
			D438,104 S	2/2001	Hacker et al.
			D438,461 S	3/2001	Yamagishi
			D438,463 S	3/2001	Schill et al.

(56)

References Cited

U.S. PATENT DOCUMENTS

D440,871	S	4/2001	Lo	6,896,139	B2	5/2005	Kancsar et al.
6,212,791	B1	4/2001	Thompson et al.	D506,680	S	6/2005	Saelzer
6,212,858	B1	4/2001	Breitler	6,902,645	B2	6/2005	Miller
D441,284	S	5/2001	Saur et al.	D507,453	S	7/2005	Mills
D444,056	S	6/2001	Lo	6,925,783	B1	8/2005	Pearson
6,244,442	B1	6/2001	Inoue et al.	6,941,947	B2	9/2005	Young et al.
D444,379	S	7/2001	Assargren et al.	6,951,353	B2	10/2005	Kozlowski et al.
6,269,671	B1	8/2001	Zeiter et al.	D511,452	S	11/2005	Dibnah et al.
6,270,869	B1	8/2001	Zeiter et al.	D511,977	S	11/2005	Saelzer
D449,779	S	10/2001	Otto	6,959,841	B2	11/2005	Vlodek
D449,780	S	10/2001	Corella	6,964,338	B2	11/2005	Kancsar et al.
D450,239	S	11/2001	Otto	6,974,031	B2	12/2005	Kancsar et al.
D451,014	S	11/2001	Otto	6,974,032	B2	12/2005	Intini
D451,015	S	11/2001	Otto	6,978,894	B2	12/2005	Mundt
D451,016	S	11/2001	Dittmar	D513,589	S	1/2006	Grant
6,311,743	B1	11/2001	Baroncini	D513,863	S	1/2006	Wahl et al.
6,329,047	B1	12/2001	Beer et al.	D513,976	S	1/2006	Milan
6,345,717	B1	2/2002	Flewitt	6,988,618	B2	1/2006	DeJonge
6,349,831	B1	2/2002	Buss	D514,308	S	2/2006	Wahl et al.
D454,781	S	3/2002	Assargren et al.	D514,309	S	2/2006	Wahl et al.
6,357,495	B1	3/2002	Baroncini	D514,436	S	2/2006	McGuinness
D455,344	S	4/2002	Assargren et al.	D515,924	S	2/2006	Grant
D455,345	S	4/2002	Assargren et al.	D515,925	S	2/2006	Wahl et al.
D455,953	S	4/2002	Assargren et al.	D515,926	S	2/2006	Wahl et al.
D455,954	S	4/2002	Dittmar	6,997,320	B1	2/2006	Kancsar et al.
6,401,926	B1	6/2002	Lo	7,000,768	B2	2/2006	Morita et al.
6,409,020	B1	6/2002	Lo	D517,410	S	3/2006	Grant
6,411,567	B1	6/2002	Niemiec et al.	D518,721	S	4/2006	Wahl et al.
6,430,984	B2	8/2002	Zeiter et al.	7,025,207	B2	4/2006	Breu et al.
6,439,426	B1	8/2002	Baroncini	D520,357	S	5/2006	Terrasi
6,497,083	B1	12/2002	Garwood et al.	7,038,219	B2	5/2006	Clark et al.
D469,348	S	1/2003	Demus et al.	7,055,296	B2	6/2006	Christ
6,502,374	B1	1/2003	Llorca Chulia	7,063,211	B2	6/2006	Williams-Hartman
6,516,949	B2	2/2003	Fuller et al.	7,067,084	B1	6/2006	Leroy et al.
6,564,934	B1	5/2003	Dischler	7,069,929	B2	7/2006	Young et al.
D476,227	S	6/2003	Pratt	7,070,802	B1	7/2006	Bhalani et al.
6,574,166	B2	6/2003	Niemiec	7,080,644	B2	7/2006	Gumaste
D477,158	S	7/2003	Calcerano et al.	7,090,079	B2	8/2006	Ehrlund
6,588,180	B2	7/2003	Heath et al.	7,093,716	B2	8/2006	Intini
6,589,616	B2	7/2003	Muggli et al.	7,104,035	B2	9/2006	Hähnel
6,589,642	B1	7/2003	Miller et al.	7,121,065	B2	10/2006	Christ
6,592,978	B1	7/2003	Miller et al.	7,121,822	B2	10/2006	Heath
6,598,370	B2	7/2003	Baroncini	7,128,100	B2	10/2006	Monti
D478,810	S	8/2003	Wilson	D533,971	S	12/2006	Carter et al.
6,601,876	B1	8/2003	Instance	D534,423	S	1/2007	Tanner
D480,635	S	10/2003	Caroen	7,188,728	B2	3/2007	Williams-Hartman
6,648,575	B2	11/2003	Baroncini	7,192,640	B2	3/2007	Holbert et al.
6,669,236	B1	12/2003	Höllwarth-Oberholz	7,207,440	B2	4/2007	Briscoe
6,673,406	B2	1/2004	Bekele	7,207,441	B2	4/2007	Ritter
6,675,972	B2	1/2004	Patterson	D543,103	S	5/2007	Roche et al.
6,679,382	B1	1/2004	Kancsar et al.	D544,794	S	6/2007	White
6,699,566	B2	3/2004	Zeiter et al.	D545,690	S	7/2007	Tsutsumi et al.
6,705,467	B1	3/2004	Kancsar et al.	D546,182	S	7/2007	Hanji et al.
6,706,345	B1	3/2004	Yoon	D546,198	S	7/2007	Currie et al.
6,708,825	B2	3/2004	Filion et al.	7,243,798	B2	7/2007	Buss
D489,002	S	4/2004	Meyer et al.	D548,110	S	8/2007	Pugh
6,726,054	B2	4/2004	Fagen et al.	D548,615	S	8/2007	Ristic et al.
D491,459	S	6/2004	Grant	D554,530	S	11/2007	Tsutsumi et al.
6,757,637	B2	6/2004	Mertens et al.	D556,602	S	12/2007	Clements et al.
6,758,367	B2	7/2004	Hunts	D556,603	S	12/2007	Barnes et al.
D495,134	S	8/2004	Geert-Jensen et al.	D558,336	S	12/2007	Walters et al.
6,793,077	B1	9/2004	Kancsar et al.	D559,706	S	1/2008	Clements et al.
6,802,422	B2	10/2004	Kalvelage et al.	7,318,304	B2	1/2008	Hiddink et al.
6,805,259	B2	10/2004	Stevens et al.	D562,153	S	2/2008	Ruble et al.
6,805,528	B2	10/2004	Monti	7,325,689	B2	2/2008	Buss
6,827,808	B2	12/2004	Fenn	7,325,703	B2	2/2008	Gherdan et al.
6,839,304	B2	1/2005	Niemiec et al.	7,331,460	B2	2/2008	Barndt et al.
D501,790	S	2/2005	Feibelman	7,337,593	B2	3/2008	Blum et al.
6,848,580	B2	2/2005	Paliotta et al.	7,337,906	B2	3/2008	Chang
6,851,874	B2	2/2005	Gonzalez et al.	7,377,394	B2	5/2008	Buss
D504,811	S	5/2005	Haingaertner	D570,171	S	6/2008	Benktzon et al.
D505,320	S	5/2005	Gattefosse et al.	7,383,674	B2	6/2008	Van Eenoo
D505,322	S	5/2005	Guthrie et al.	7,387,206	B2	6/2008	Grosskopf
6,889,690	B2	5/2005	Crowder et al.	7,401,702	B2	7/2008	Hession
6,890,472	B2	5/2005	Heath	D574,704	S	8/2008	Senter
				7,416,631	B2	8/2008	Pasternicki
				7,419,056	B2	9/2008	Gattefosse et al.
				7,429,127	B2	9/2008	Walker et al.
				D578,386	S	10/2008	Silvenis et al.

(56)

References Cited

U.S. PATENT DOCUMENTS

7,448,182 B2 11/2008 Pearson
 7,448,184 B2 11/2008 Clark et al.
 7,451,761 B2 11/2008 Hickett et al.
 D581,780 S 12/2008 Senter
 D582,240 S 12/2008 Benktzon et al.
 7,464,818 B2 12/2008 Gherdan et al.
 D585,545 S 1/2009 Carrio et al.
 7,472,526 B2 1/2009 Pearson
 D585,638 S 2/2009 Skedelius
 D585,735 S 2/2009 Vovan et al.
 D588,471 S 3/2009 Fluegel et al.
 D588,908 S 3/2009 Silvenis et al.
 D590,245 S 4/2009 Nanda
 7,516,836 B2 4/2009 Trygar et al.
 7,523,594 B2 4/2009 Greenwald et al.
 D592,947 S 5/2009 Neves et al.
 D594,753 S 6/2009 Eadicicco et al.
 7,540,383 B2 6/2009 Huffer et al.
 7,552,824 B2 6/2009 Le et al.
 D597,418 S 8/2009 Stojek
 D597,830 S 8/2009 Andersen et al.
 D598,737 S 8/2009 Neves et al.
 D598,785 S 8/2009 Stojek
 D601,012 S 9/2009 Ginsberg et al.
 7,591,372 B2 9/2009 Gelardi et al.
 D601,884 S 10/2009 Andre et al.
 7,607,539 B2 10/2009 Freeze
 7,617,935 B2 11/2009 Reilley et al.
 7,623,040 B1 11/2009 Cote
 D606,856 S 12/2009 Ginsberg et al.
 7,637,079 B2 12/2009 Klingel et al.
 7,637,375 B2 12/2009 Sattel et al.
 7,661,531 B2 2/2010 Intini
 7,665,610 B2 2/2010 Williams-Hartman
 7,674,532 B2 3/2010 Einhorn et al.
 7,685,798 B2 3/2010 Marzocchi
 D614,045 S 4/2010 Gaudenzi et al.
 7,690,511 B2 4/2010 Arnold et al.
 7,699,173 B2 4/2010 Hession
 7,704,583 B2 4/2010 Heath
 7,721,880 B2 5/2010 Pearce et al.
 7,726,485 B2 6/2010 Brollier
 7,726,486 B2 6/2010 Jones
 7,735,650 B2 6/2010 Zumbiel
 D620,359 S 7/2010 Ginsberg et al.
 D620,375 S 7/2010 Sadler et al.
 7,748,535 B2 7/2010 Grosskopf
 7,756,248 B2 7/2010 Beckers et al.
 7,758,936 B2 7/2010 Spallek et al.

D620,812 S 8/2010 Gaudenzi et al.
 7,784,250 B2 8/2010 Grosskopf
 D624,399 S 9/2010 Hansen et al.
 D624,402 S 9/2010 Hansen et al.
 D624,403 S 9/2010 Hansen et al.
 7,793,784 B2 9/2010 Nivala
 7,798,328 B2 9/2010 Hession
 7,798,329 B2 9/2010 Gelardi
 7,799,340 B2 9/2010 Bhalani et al.
 D624,815 S 10/2010 Hansen et al.
 7,810,495 B2 10/2010 Gumaste
 D627,220 S 11/2010 LeMaster et al.
 D627,239 S 11/2010 Bontorno et al.
 7,828,147 B2 11/2010 Caracciolo et al.
 7,828,149 B2 11/2010 Kalvelage et al.
 7,828,150 B2 11/2010 Taylor et al.
 7,854,325 B2 12/2010 Bentele
 7,866,475 B2 1/2011 Doskoczynski et al.
 D632,955 S 2/2011 Smith et al.
 7,891,492 B2 2/2011 Wenninger et al.
 D634,616 S 3/2011 Hansen et al.
 D635,468 S 4/2011 Buitrago
 D635,469 S 4/2011 Buitrago
 7,919,171 B2 4/2011 Young
 7,926,660 B2 4/2011 Jones et al.
 7,931,148 B2 4/2011 Hansen et al.
 D637,391 S 5/2011 Stevens et al.
 7,934,355 B2 5/2011 Strub et al.
 7,937,829 B2 5/2011 Petersen et al.
 7,939,150 B2 5/2011 Altman et al.
 7,950,390 B2 5/2011 Gumaste
 7,959,004 B2 6/2011 Tsao
 7,959,005 B2 6/2011 Berg et al.
 7,963,089 B2 6/2011 Nelson et al.
 D641,616 S 7/2011 Prevost
 7,977,378 B1 7/2011 Villalobos
 7,988,995 B1 8/2011 Bhalani et al.
 8,091,704 B2 1/2012 Trigg

OTHER PUBLICATIONS

U.S. Notice of Allowance dated Mar. 25, 2013 issued in U.S. Appl. No. 29/416,878.
 U.S. Office Action dated Mar. 25, 2013 issued in U.S. Appl. No. 29/416,880.
 U.S. Office Action dated Mar. 25, 2013 issued in U.S. Appl. No. 29/416,882.
 U.S. Office Action dated Apr. 1, 2013 issued in U.S. Appl. No. 29/429,017.
 U.S. Office Action dated Jul. 15, 2013 issued in U.S. Appl. No. 13/432,247.
 Invitation to Pay Additional Fees and, Where Applicable, Protest Fee mailed Jul. 10, 2013.

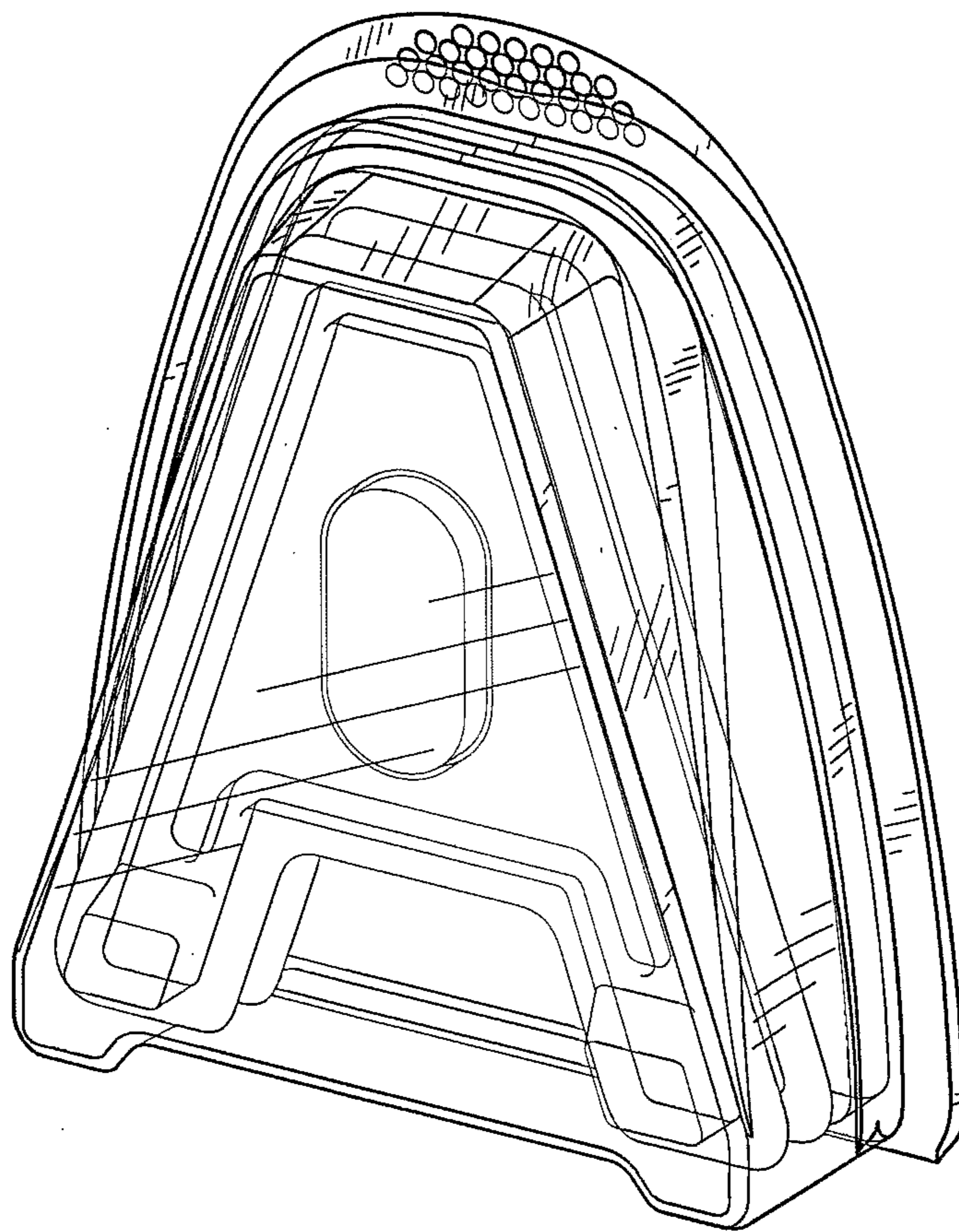


FIG. 1

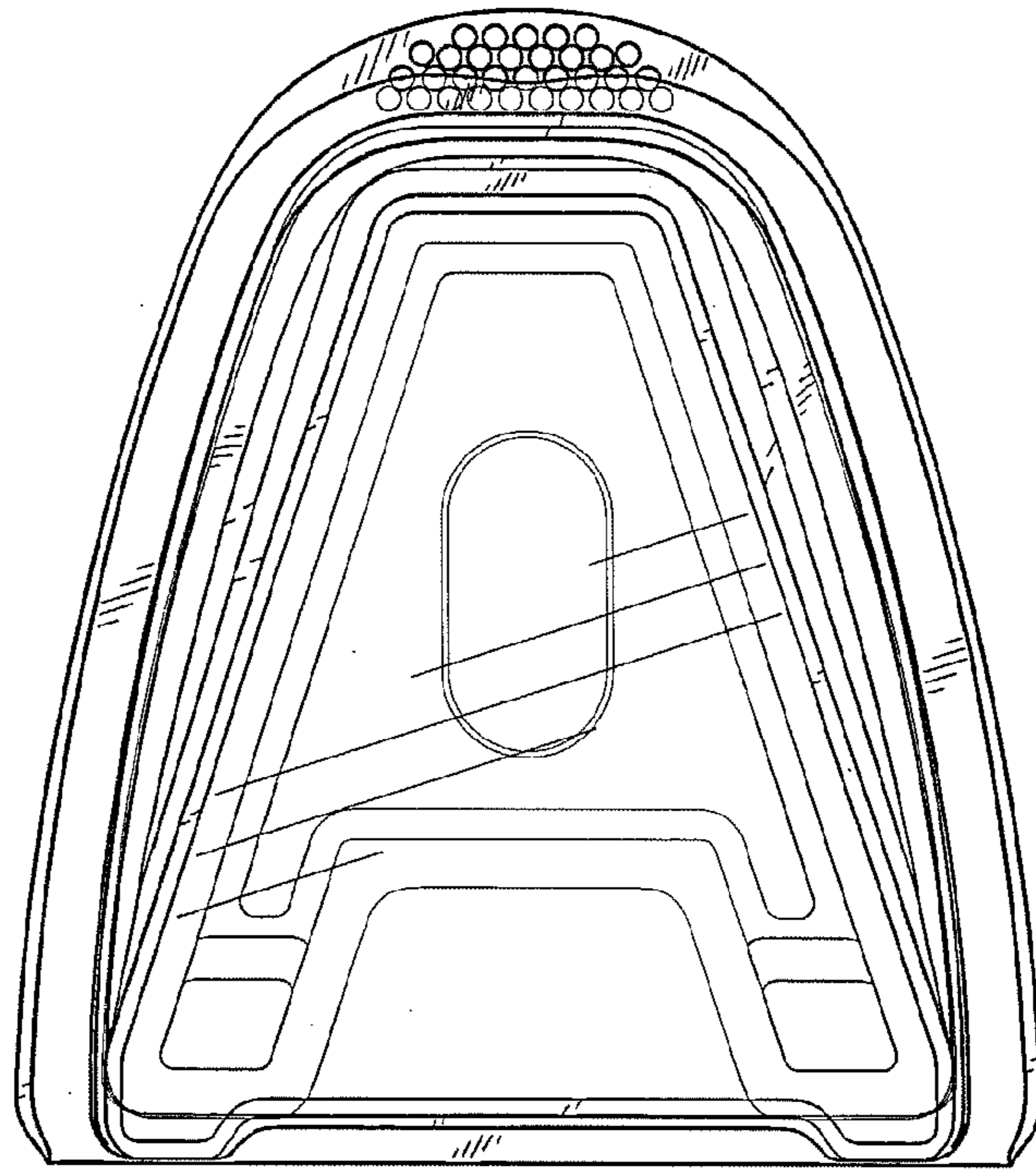


FIG. 2

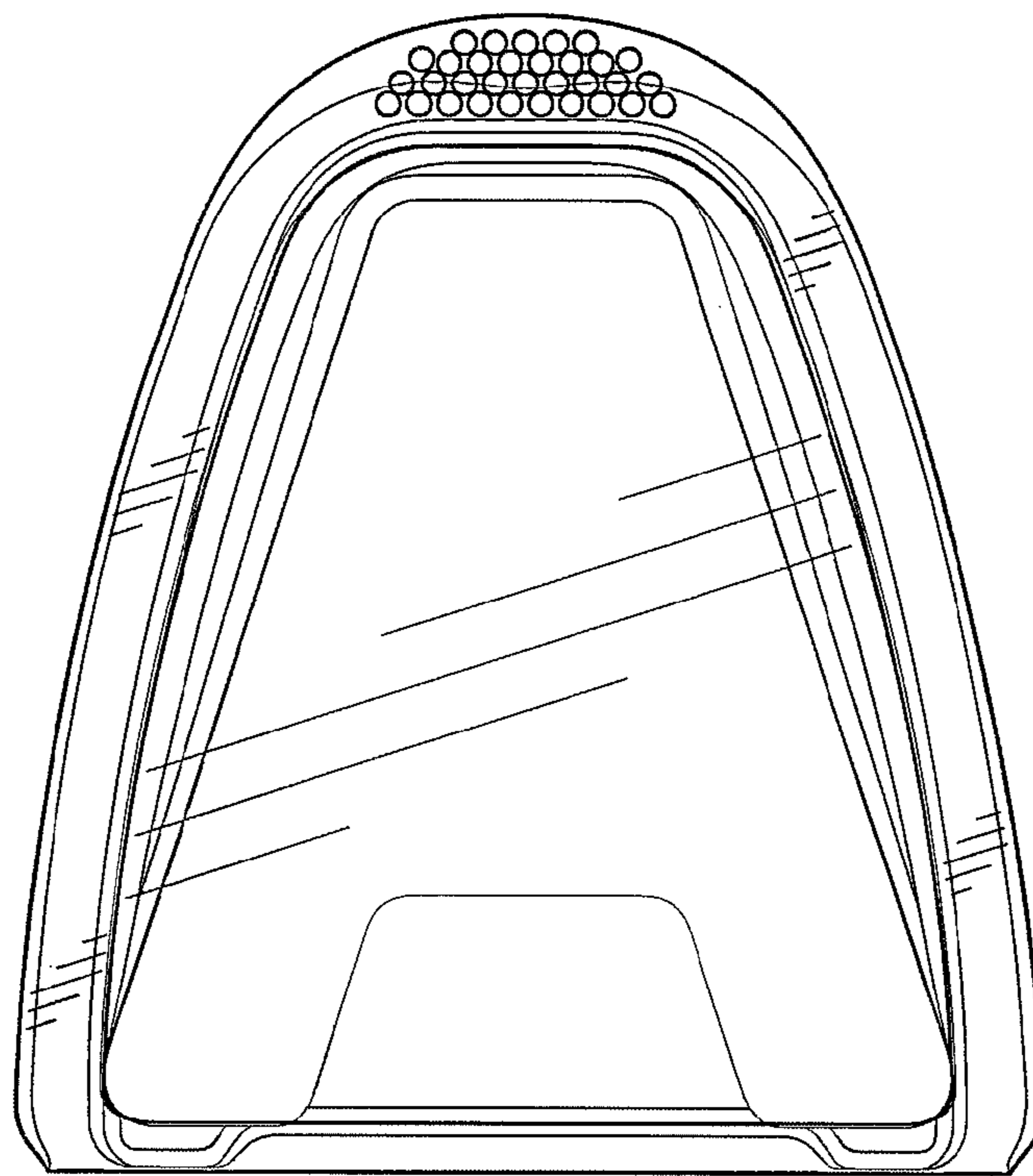


FIG. 3

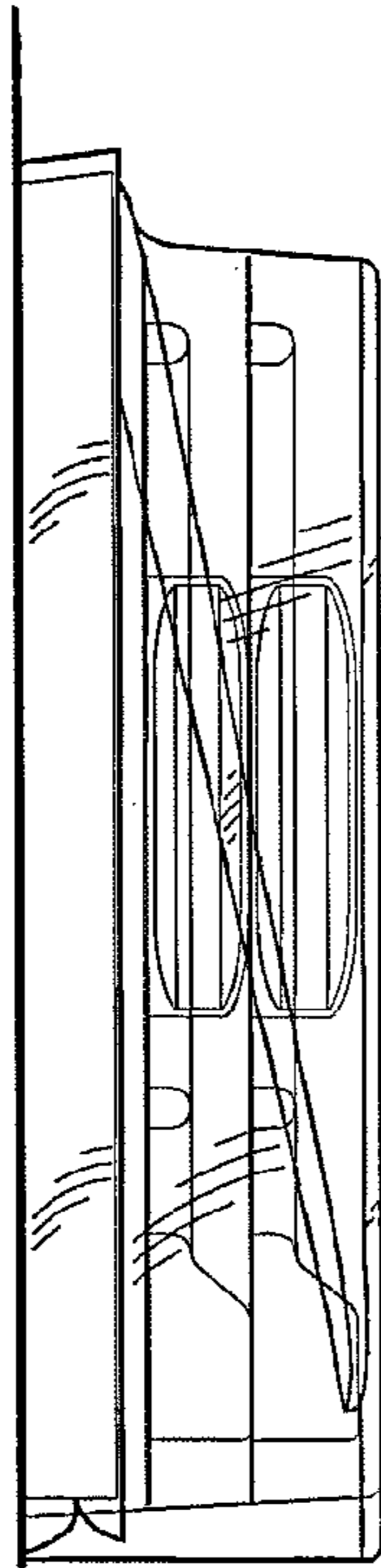


FIG. 4

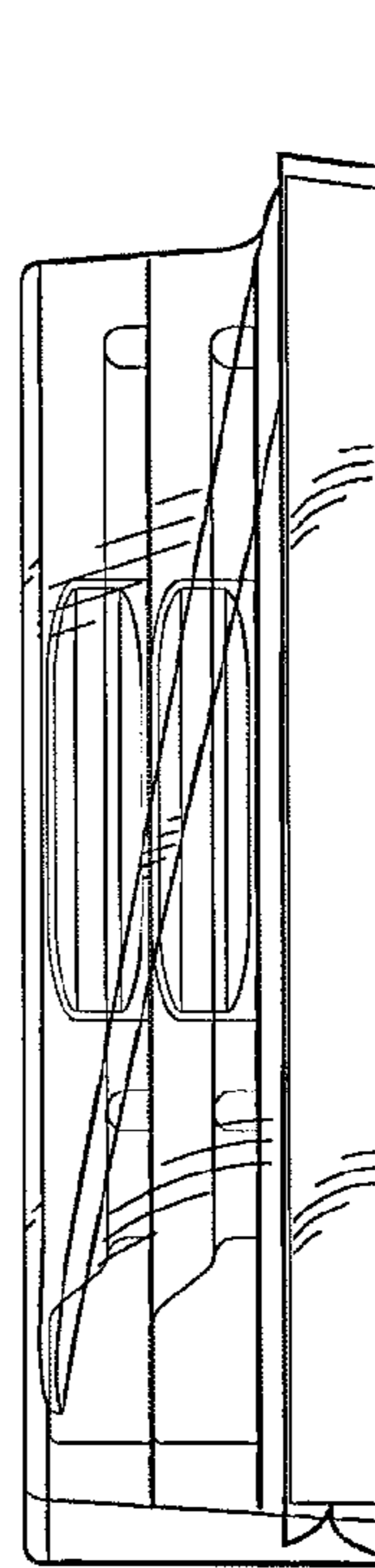


FIG. 5

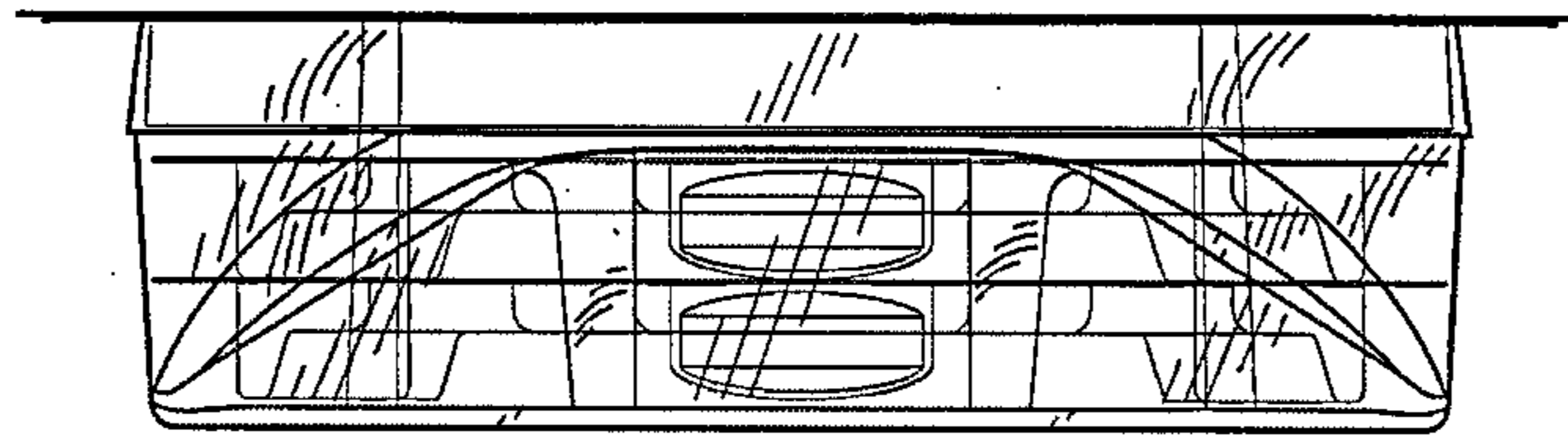


FIG. 6

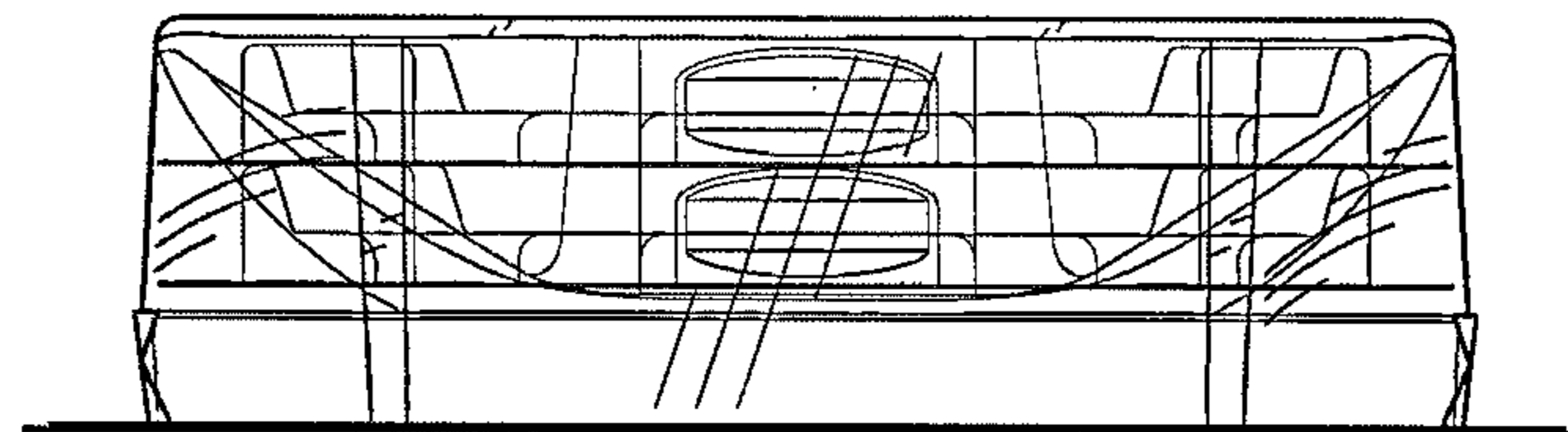


FIG. 7