



US00D697812S

(12) **United States Design Patent**  
**Lin**

(10) **Patent No.:** **US D697,812 S**  
(45) **Date of Patent:** **\*\* Jan. 21, 2014**

(54) **SHOWER CREAM BOTTLE**  
(71) Applicant: **Mei-Shan Lin**, Tainan (TW)  
(72) Inventor: **Mei-Shan Lin**, Tainan (TW)  
(\*\*) Term: **14 Years**

(21) Appl. No.: **29/452,604**  
(22) Filed: **Apr. 18, 2013**

(30) **Foreign Application Priority Data**

Oct. 19, 2012 (TW) ..... 101306129

(51) **LOC (10) Cl.** ..... **09-01**  
(52) **U.S. Cl.**  
USPC ..... **D9/545**

(58) **Field of Classification Search**  
USPC ..... D9/500, 502-505, 516, 544-546, 549,  
D9/558, 682, 686-692, 694; D7/300,  
D7/300.1, 598; D11/146; D23/362, 366;  
215/379, 381-382; 220/660, 662-664,  
220/669-673, 675  
See application file for complete search history.

(56) **References Cited**

**U.S. PATENT DOCUMENTS**

D64,659 S \* 5/1924 Daltroff ..... D9/545  
D82,824 S \* 12/1930 Hobe ..... D9/558  
D365,278 S \* 12/1995 Paglina ..... D9/544

D453,106 S \* 1/2002 Peltrault ..... D9/687  
D487,702 S \* 3/2004 Sironi ..... D9/558  
D589,813 S \* 4/2009 Rica ..... D9/545  
D605,951 S \* 12/2009 Ikeda ..... D9/558  
D651,703 S \* 1/2012 Ritzenhoff ..... D23/366  
D652,722 S \* 1/2012 Robertson et al. .... D9/504  
D659,537 S \* 5/2012 Ritzenhoff ..... D9/500

\* cited by examiner

*Primary Examiner* — Ian Simmons  
*Assistant Examiner* — Dana L Meyrow  
(74) *Attorney, Agent, or Firm* — Muncy, Geissler, Olds & Lowe, PLLC

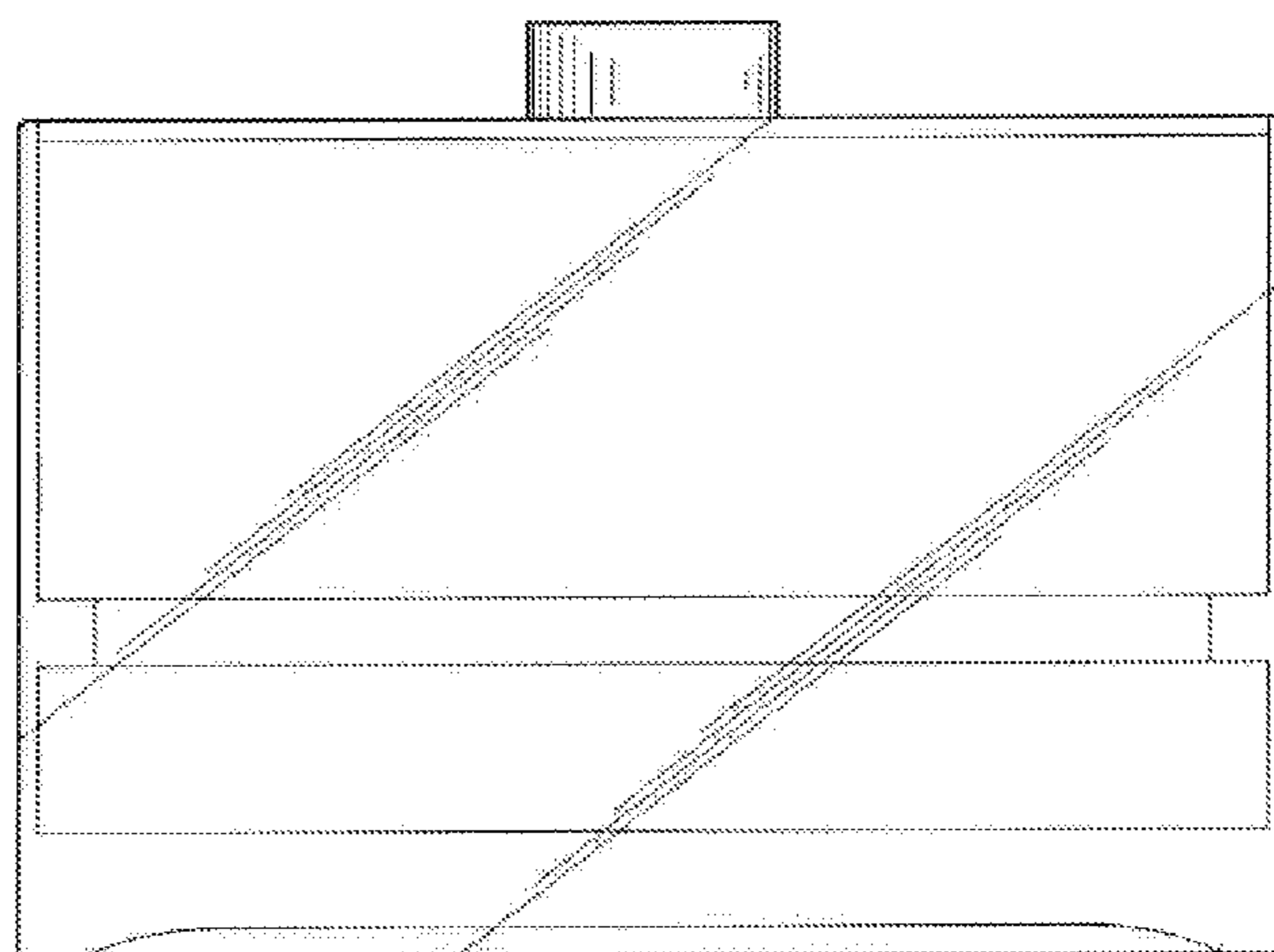
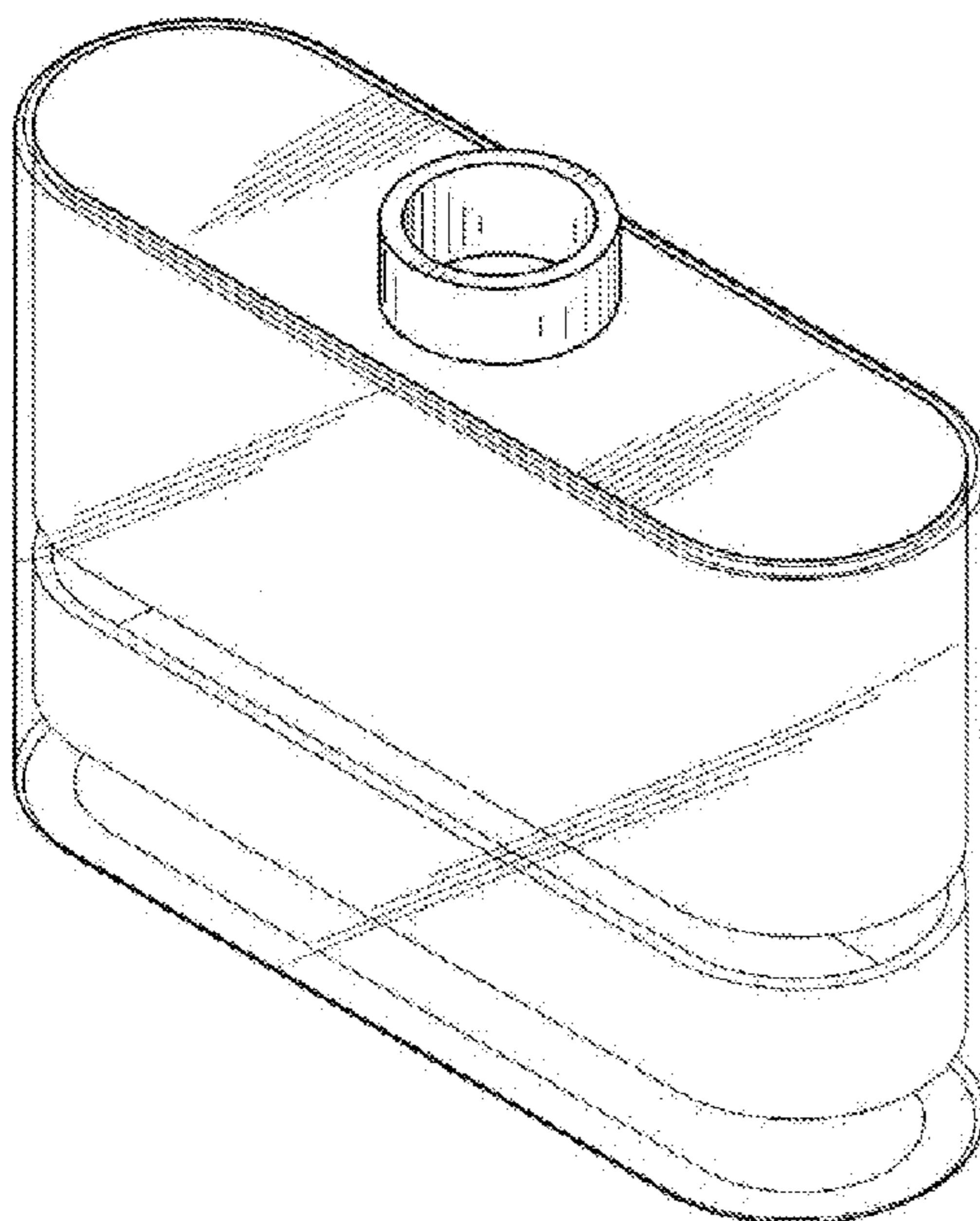
(57) **CLAIM**

I claim, the ornamental design for a shower cream bottle, as shown and described.

**DESCRIPTION**

FIG. 1 is a perspective view of a shower cream bottle showing my new design;  
FIG. 2 is a front elevation view thereof, the rear elevation view being identical;  
FIG. 3 is a left side elevation view thereof, the right side elevation view being identical;  
FIG. 4 is a top plan view thereof;  
FIG. 5 is a bottom plan view thereof; and,  
FIG. 6 is a front elevation view thereof, shown with an unclaimed bottle head.  
The broken lines shown in FIG. 6 are for illustrative purposes only and form no part of the claimed design.

**1 Claim, 5 Drawing Sheets**



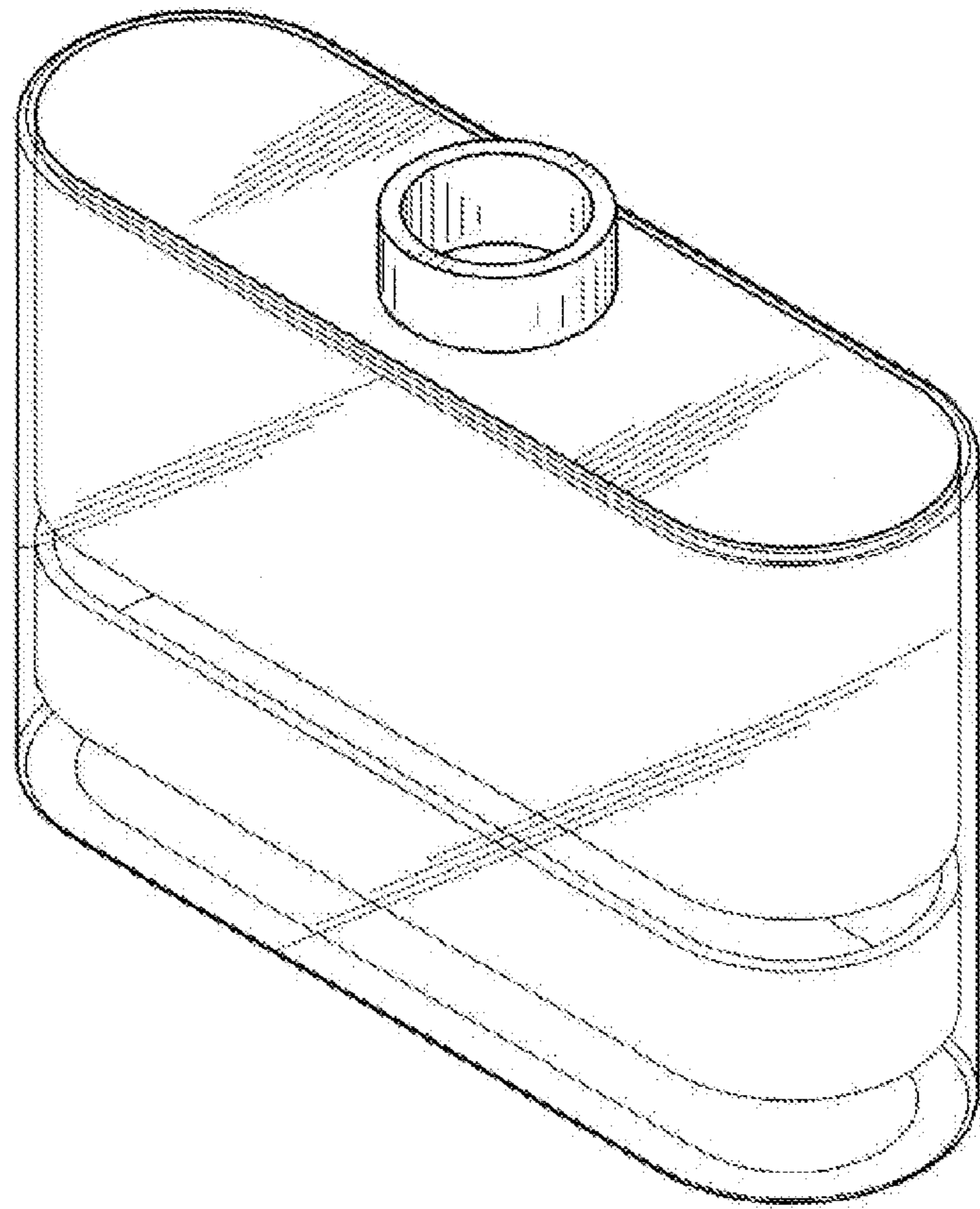


FIG . 1

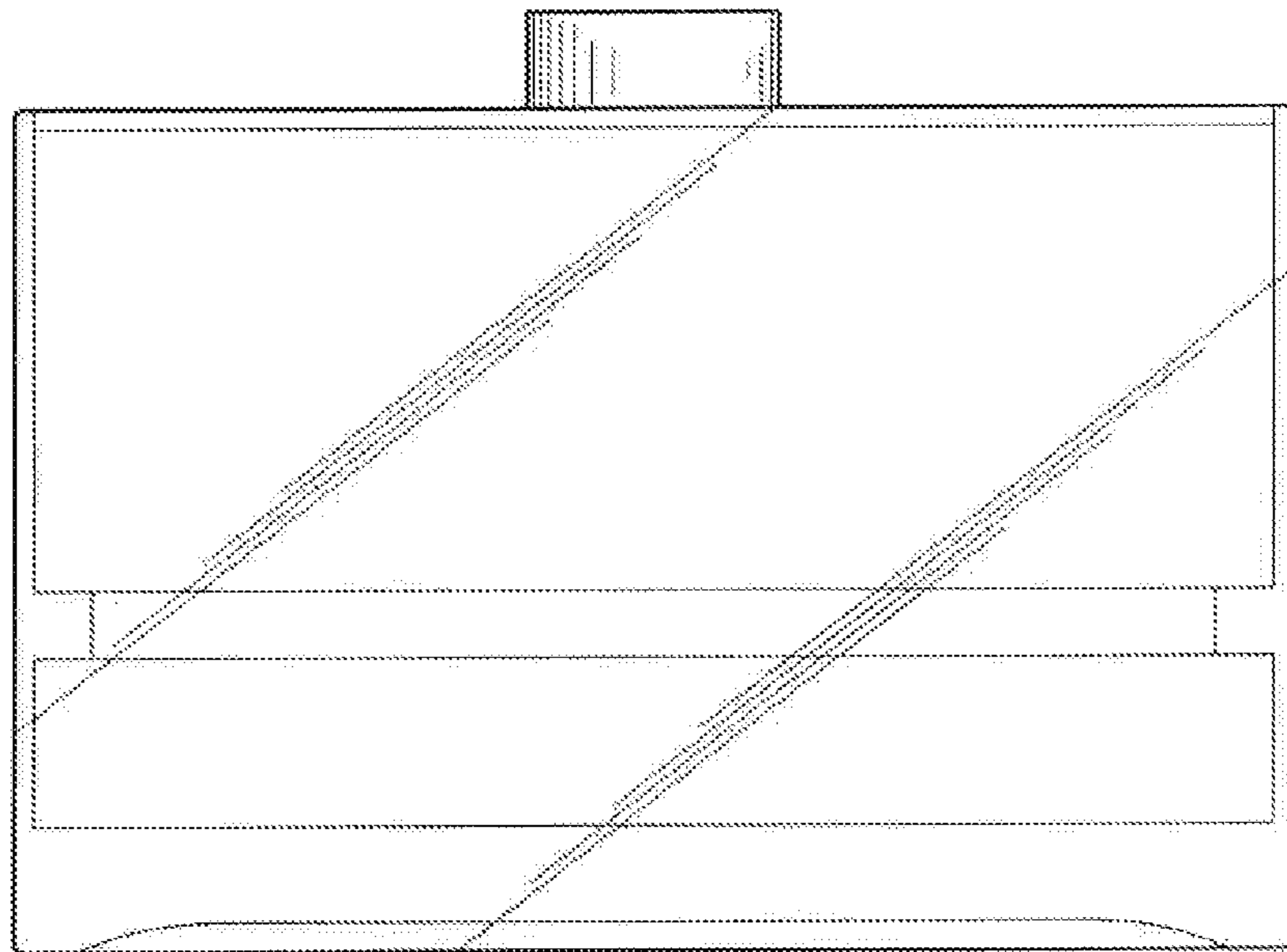


FIG. 2

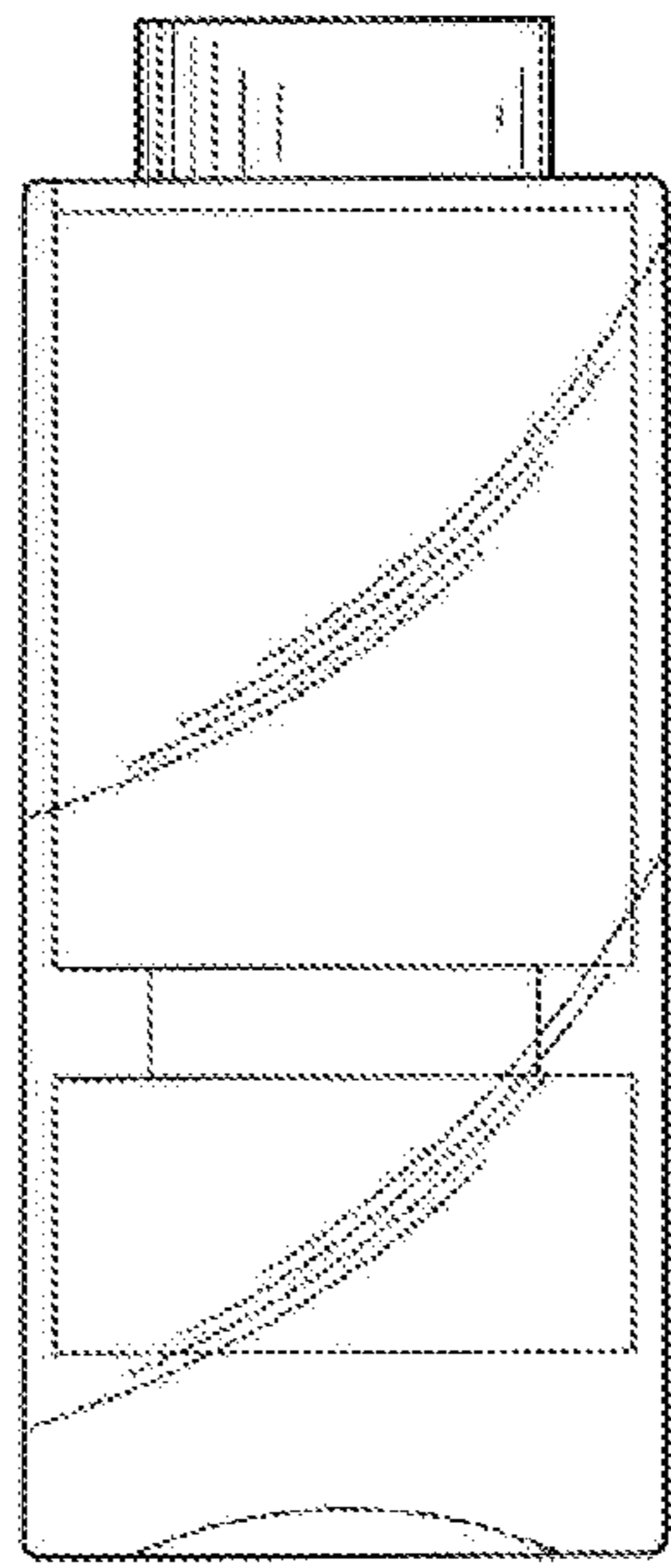


FIG. 3

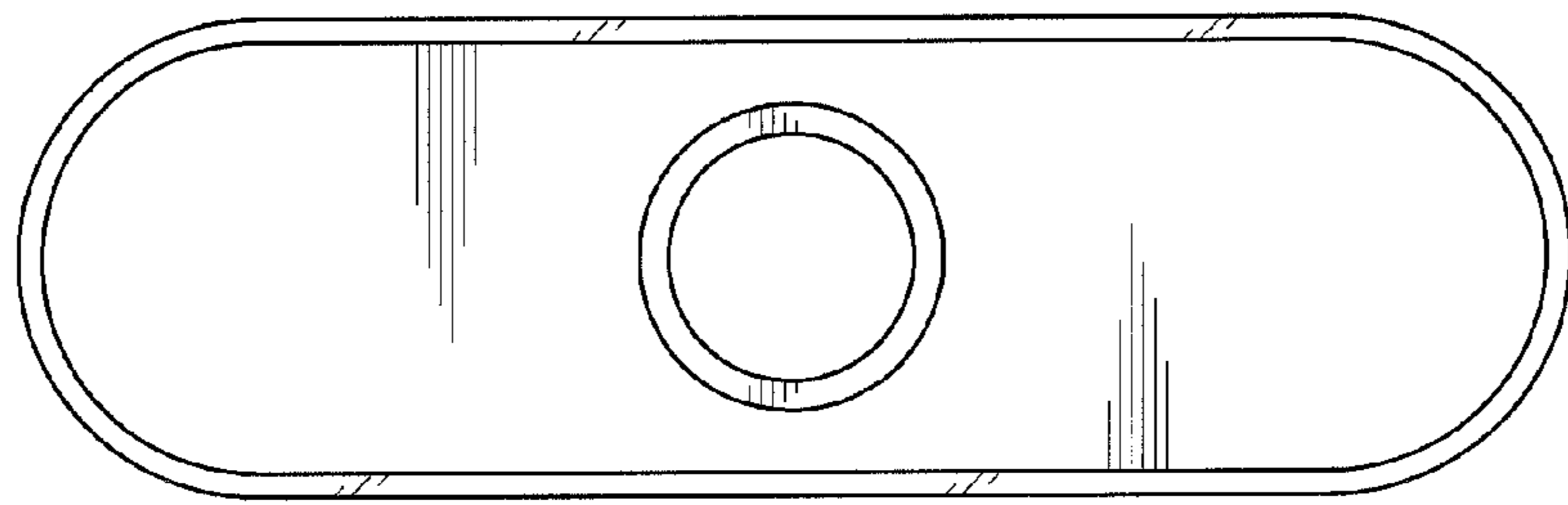


FIG. 4

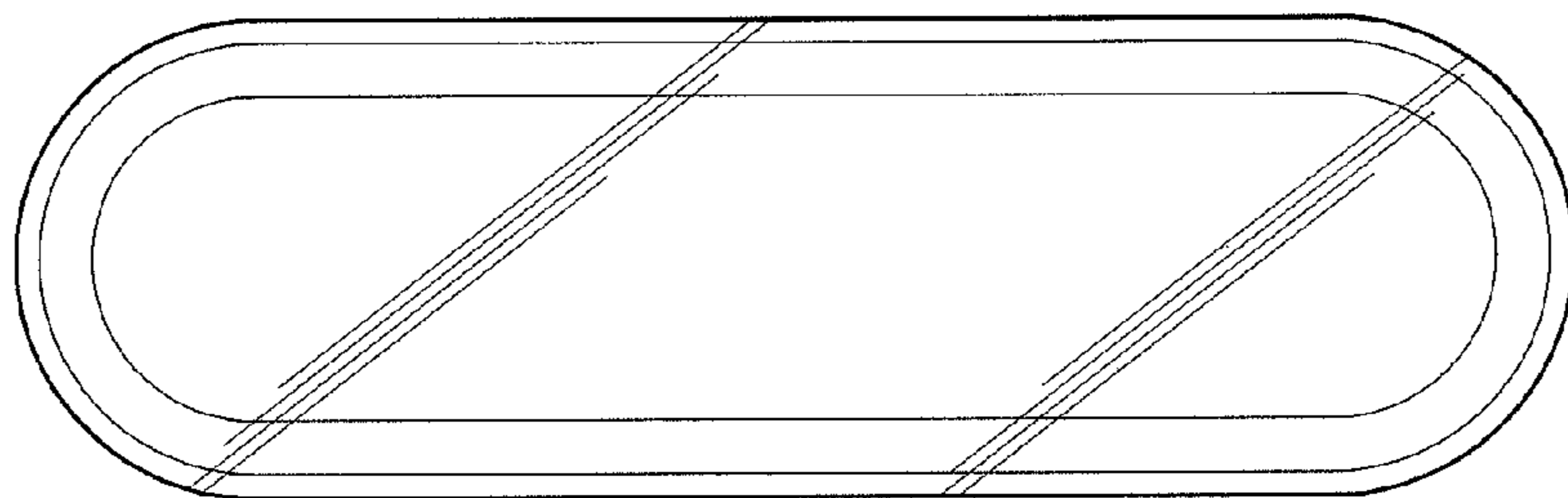


FIG. 5

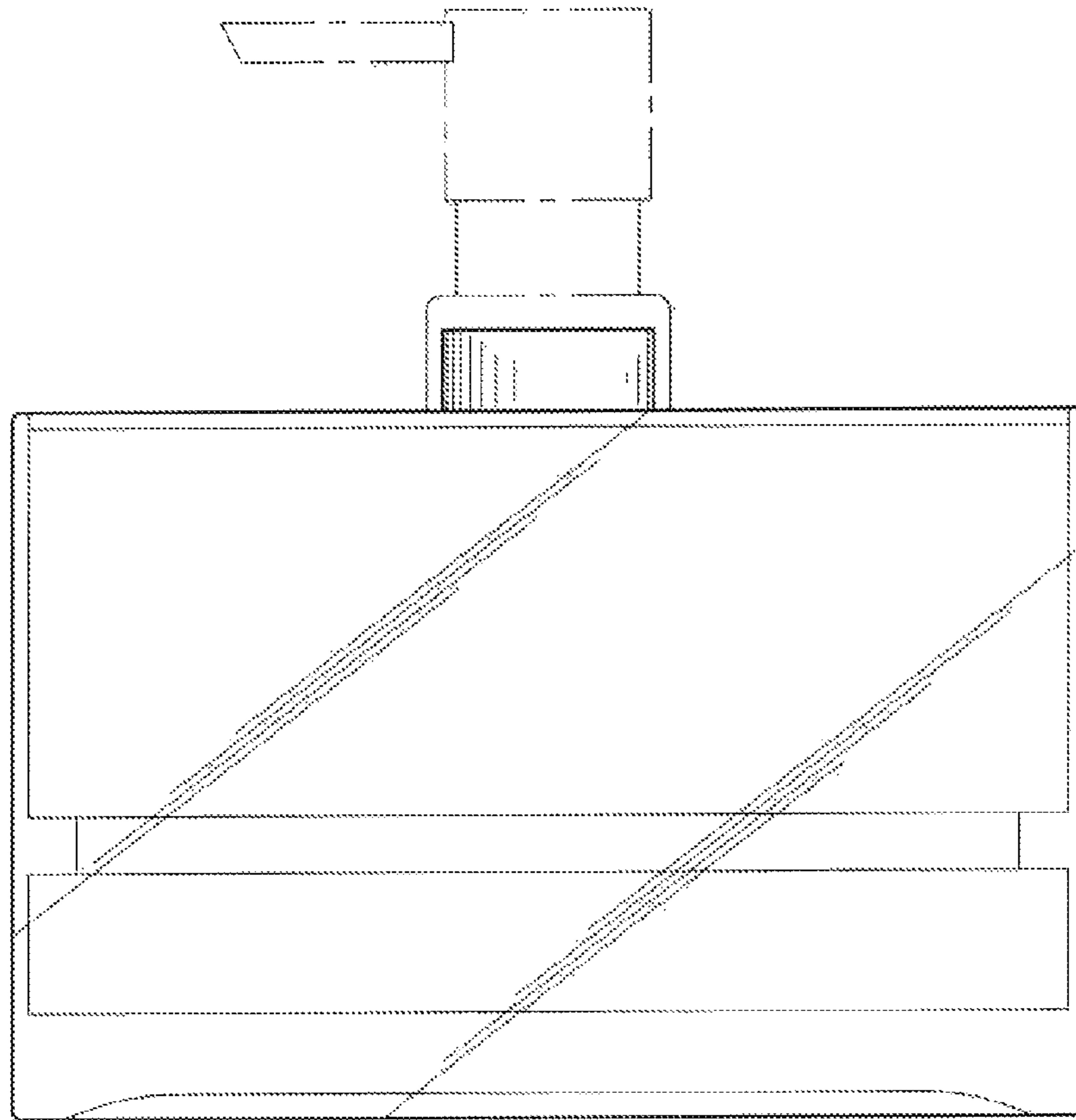


FIG. 6