



US00D697811S

(12) **United States Design Patent**
Goodman et al.

(10) **Patent No.:** **US D697,811 S**
(45) **Date of Patent:** **** Jan. 21, 2014**

(54) **FLASK**

(71) Applicant: **Little Genie Productions, LLC**, Seattle, WA (US)

(72) Inventors: **Burt Goodman**, Auburn, WA (US);
Tiffany Gail Lysene, Seattle, WA (US)

(**) Term: **14 Years**

(21) Appl. No.: **29/439,119**

(22) Filed: **Dec. 6, 2012**

(51) **LOC (10) Cl.** **09-01**

(52) **U.S. Cl.**
USPC **D9/545**; D9/558; D9/651

(58) **Field of Classification Search**
USPC D9/545, 500, 503–505, 561, 520, 519,
D9/539, 542, 544, 548–549, 551, 564, 566,
D9/553–554, 567, 572–575, 439, 651, 682,
D9/694, 535; D7/598–599; D28/91.1;
215/355, 381–382; 220/669, 890
See application file for complete search history.

(56) **References Cited**

U.S. PATENT DOCUMENTS

D99,648 S * 5/1936 Mulhens D9/545
D105,379 S * 7/1937 Guerlain D9/545
D253,455 S * 11/1979 Beene D9/505

D260,485 S * 9/1981 Ortal D9/545
D290,687 S * 7/1987 Llorente D9/542
D301,307 S * 5/1989 Pakzad D9/535
D339,294 S * 9/1993 Fareri et al. D9/545
D390,118 S * 2/1998 Hanna D9/545
D459,233 S * 6/2002 Young D9/535
D471,086 S * 3/2003 Helleu D9/694
D610,916 S * 3/2010 Yeung et al. D9/694

* cited by examiner

Primary Examiner — Wan Laymon

(74) *Attorney, Agent, or Firm* — Loop Intellectual Property Law

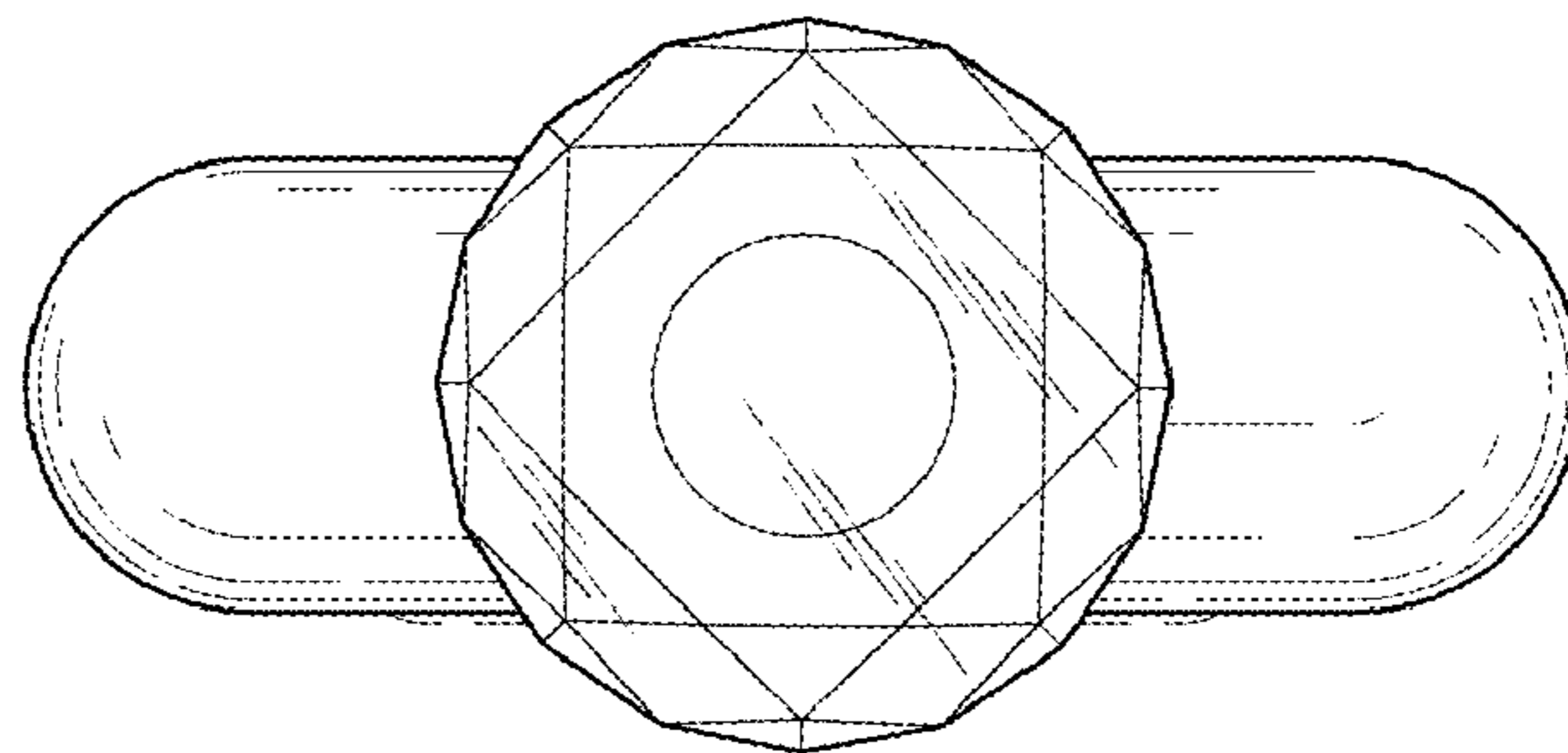
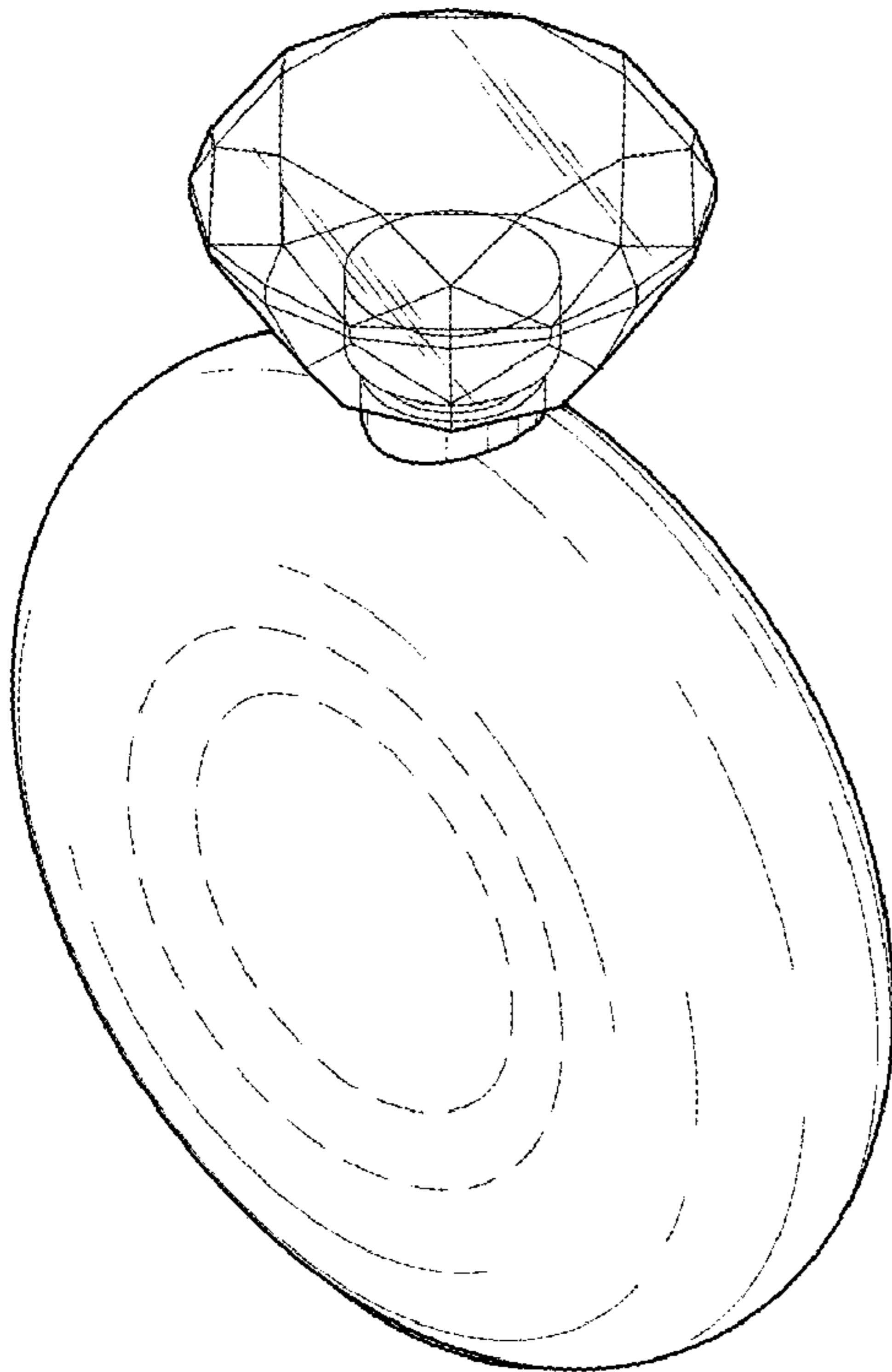
(57) **CLAIM**

The ornamental design for a flask, as shown and described.

DESCRIPTION

FIG. 1 is a front elevated perspective view of a flask showing our new design (wherein the dashed lines represent an optional central window having a doughnut-shaped frame). FIG. 2 is a front view of the flask of FIG. 1. FIG. 3 is a rear view of the flask of FIG. 1. FIG. 4 is a left side view of the flask of FIG. 1. FIG. 5 is a right side view of the flask of FIG. 1. FIG. 6 is a top view of the flask of FIG. 1; and, FIG. 7 is a bottom view of the flask of FIG. 1. An optional window having a doughnut-shaped frame is shown in broken lines for the purpose of illustrating environmental structure only and forms no part of the claimed design.

1 Claim, 2 Drawing Sheets



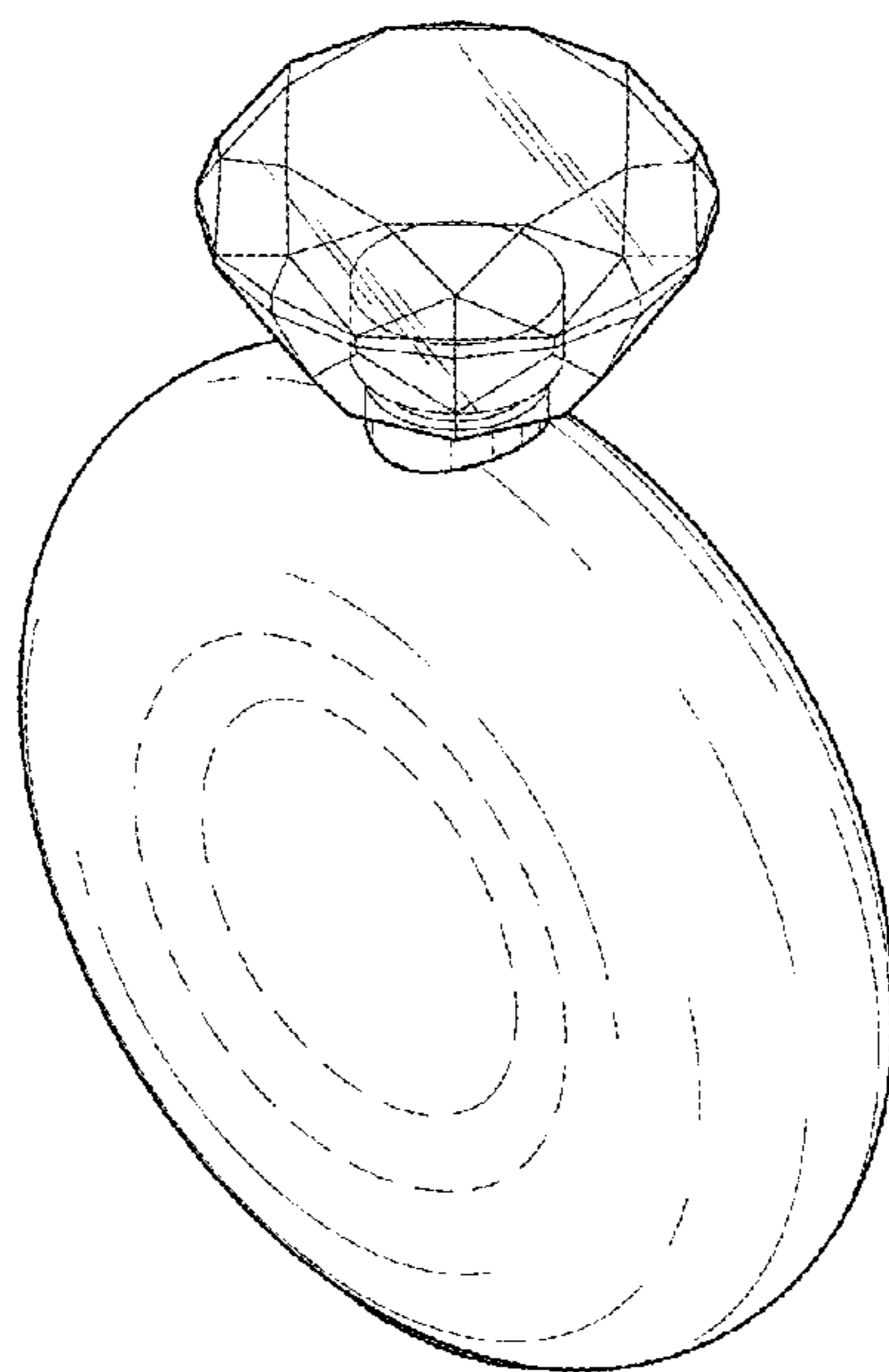


Fig. 1

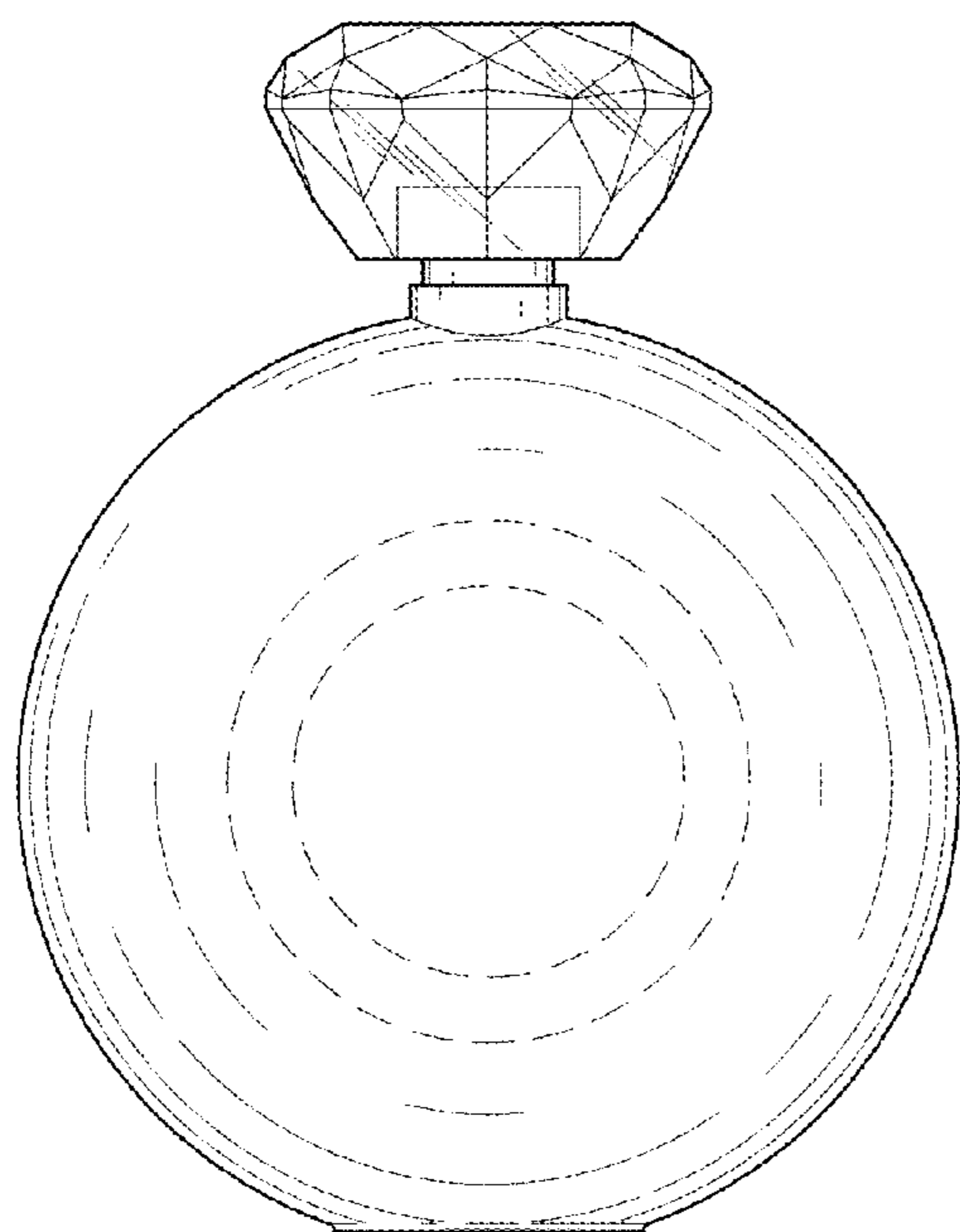


Fig. 2

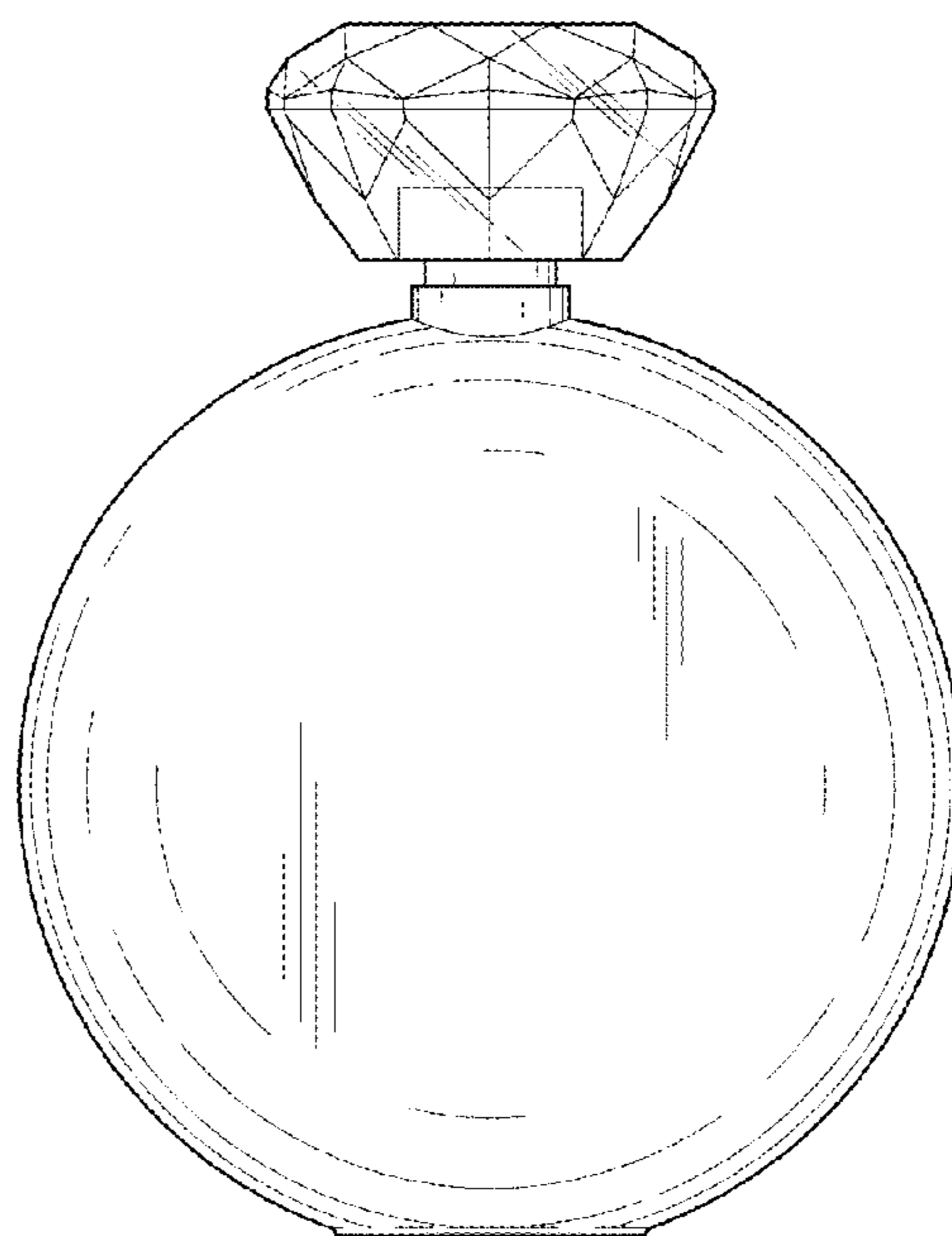


Fig. 3

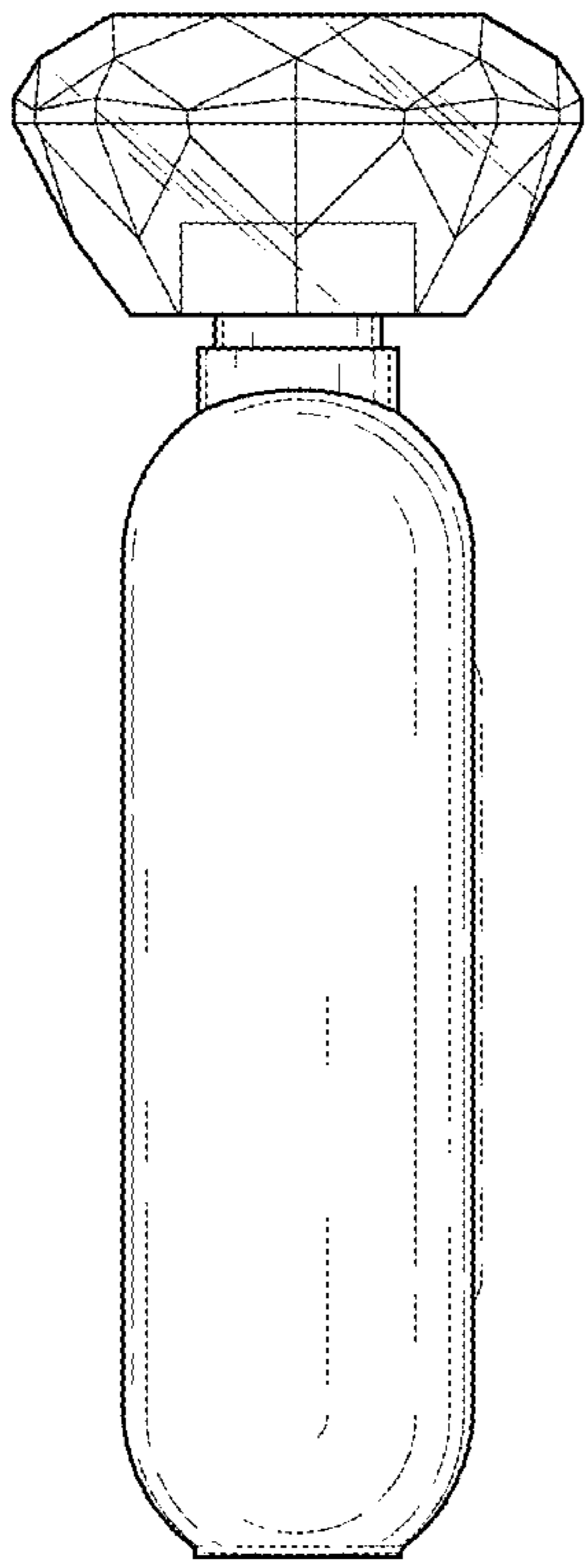


Fig. 4

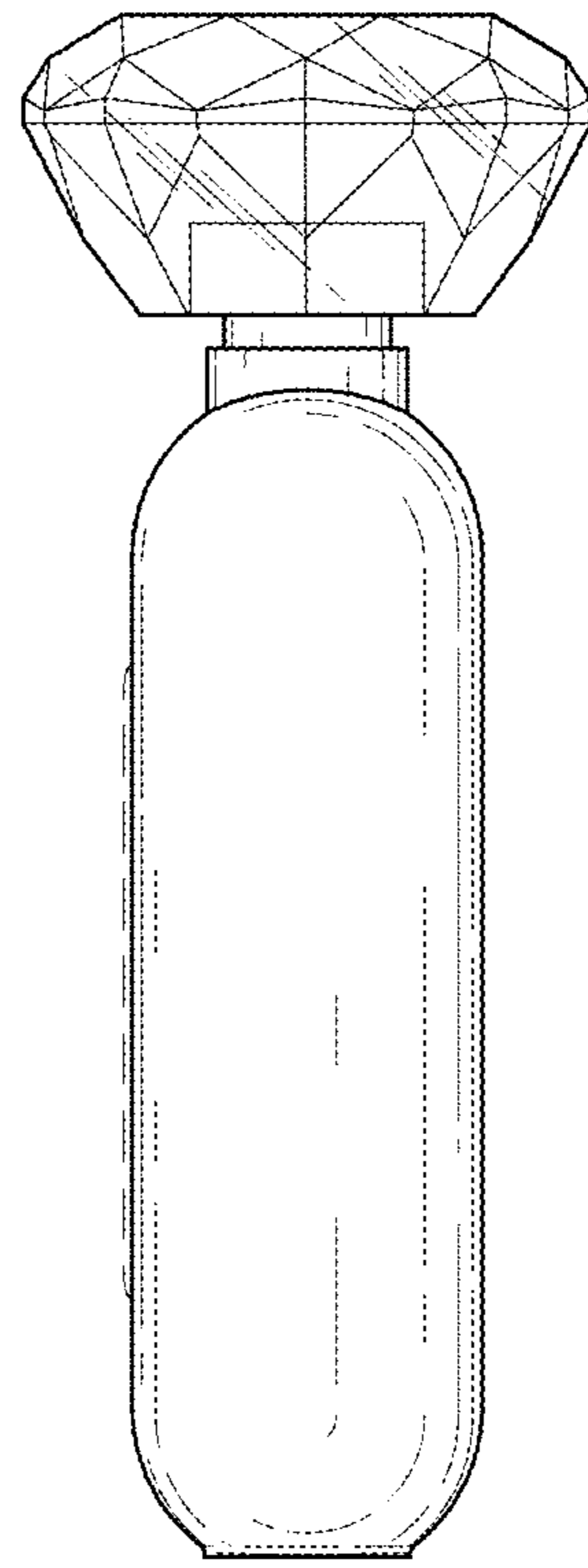


Fig. 5

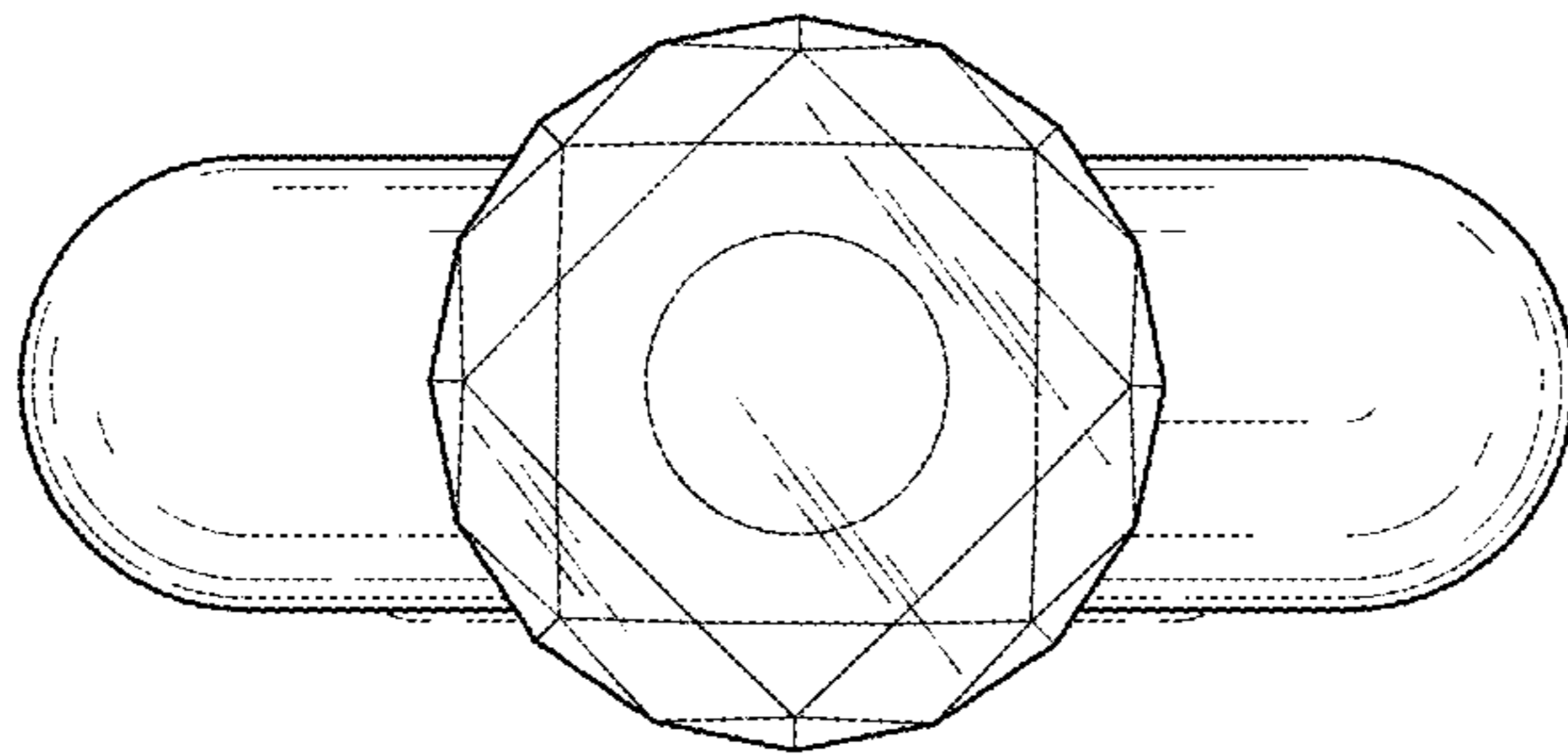


Fig. 6

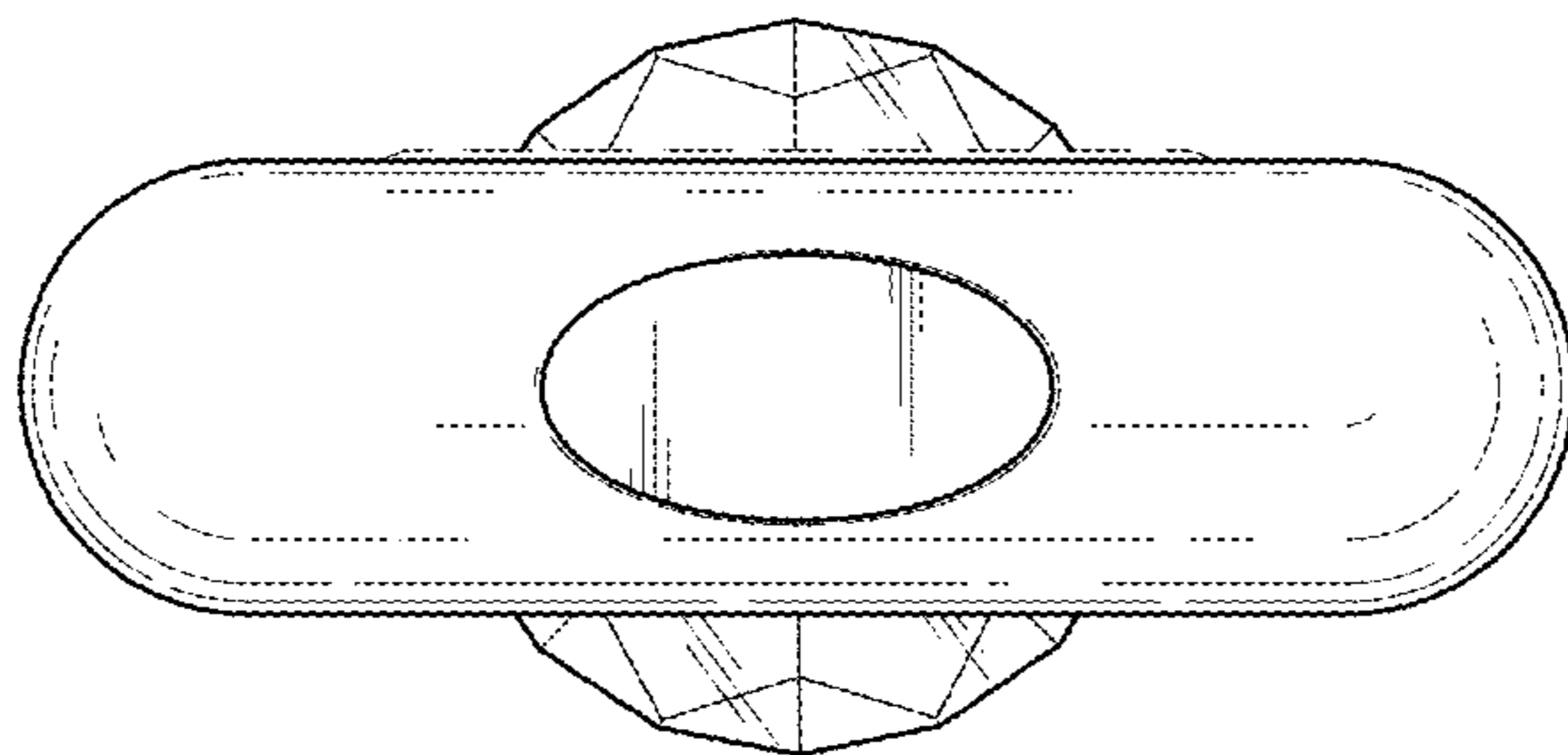


Fig. 7