



US00D697807S

(12) **United States Design Patent**
Servaire

(10) **Patent No.:** **US D697,807 S**
(45) **Date of Patent:** **** Jan. 21, 2014**

(54) **FLASK FOR COSMETIC**

(75) Inventor: **Sébastien Servaire**, Paris (FR)

(73) Assignee: **Guerlain Societe Anonyme**, Paris (FR)

(**) Term: **14 Years**

(21) Appl. No.: **29/405,313**

(22) Filed: **Nov. 1, 2011**

(30) **Foreign Application Priority Data**

May 3, 2011 (EM) 001273593-0001

(51) **LOC (10) Cl.** **09-01**

(52) **U.S. Cl.**
USPC **D9/504**; D9/682; D28/76

(58) **Field of Classification Search**
USPC D9/503, 500, 502, 504, 516, 519-520,
D9/521, 524, 525-526, 529, 536-537, 539,
D9/542, 545, 549-550, 558, 563, 682,
D9/686-692, 554, 567; D28/76-79, 82,
D28/86-88; 215/379-382, 384;
220/660-662, 669-670, 672, 675
See application file for complete search history.

(56) **References Cited**

U.S. PATENT DOCUMENTS

3,485,416 A * 12/1969 Fohrman D9/503
4,444,324 A * 4/1984 Grenell 220/916
D436,225 S * 1/2001 Garofano et al. D28/7
D441,145 S * 4/2001 Chang D28/88
D450,888 S * 11/2001 Breidenbach et al. D28/76

D453,588 S * 2/2002 Breidenbach et al. D28/76
D453,589 S * 2/2002 Breidenbach et al. D28/76
D517,243 S * 3/2006 Martinez D28/76
D585,600 S * 1/2009 Althoff et al. D28/76
D610,906 S * 3/2010 Simmons et al. D9/504
D632,014 S * 2/2011 Lee D28/76
D651,086 S * 12/2011 Gullickson et al. D9/504
D675,105 S * 1/2013 Chen D9/688

* cited by examiner

Primary Examiner — Wan Laymon

(74) *Attorney, Agent, or Firm* — Stites & Harbison PLLC;
Douglas E. Jackson

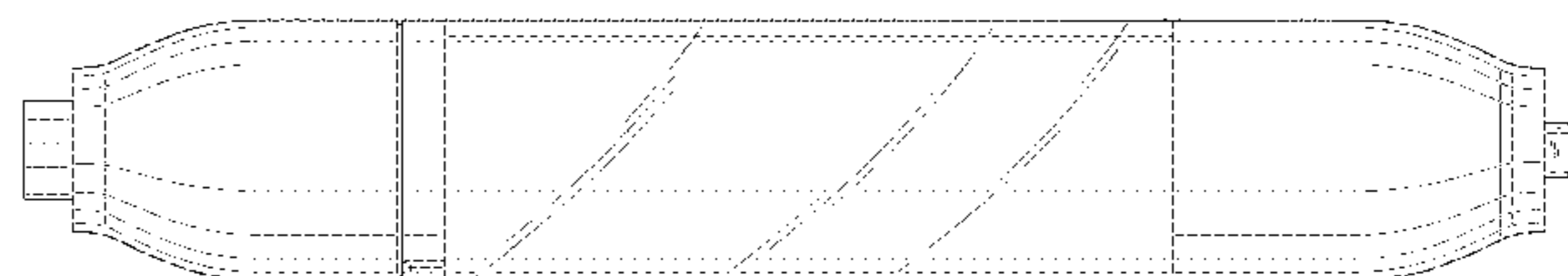
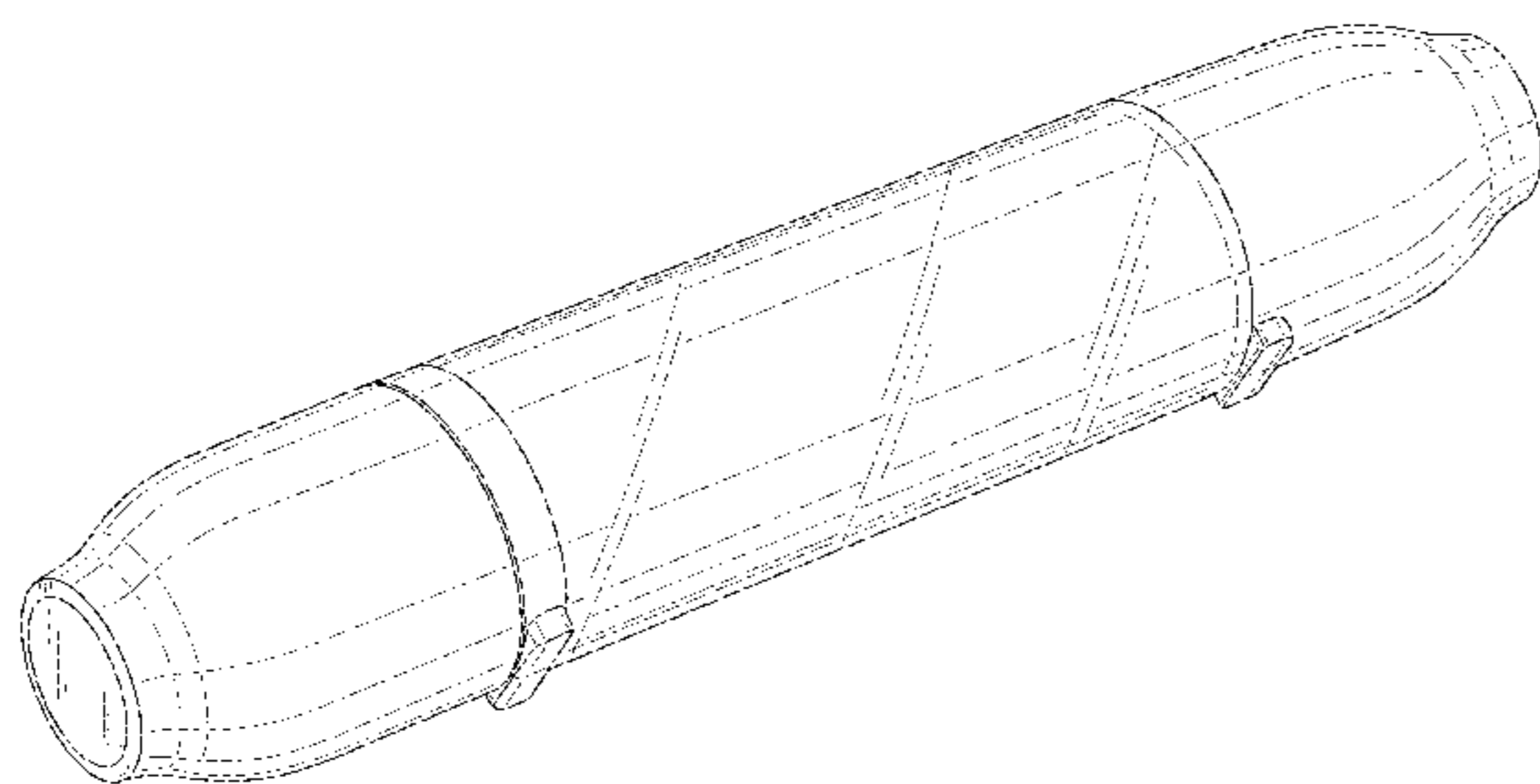
(57) **CLAIM**

The ornamental design for a flask for cosmetic, as shown and described.

DESCRIPTION

FIG. 1 is a front view of a flask for cosmetic showing the new design, the rear view being a mirror image thereof.
FIG. 2 is a top view thereof.
FIG. 3 is a bottom view thereof.
FIG. 4 is an enlarged right side view thereof.
FIG. 5 is an enlarged left side view thereof.
FIG. 6 is a front, bottom and left side perspective view thereof.
FIG. 7 is a front, top and left side perspective view thereof; and,
FIG. 8 is a front view thereof with left and right central end members extended from a remainder of the associated end as occurs after a rotation of one end relative to the other end about a longitudinal axis of the flask.

1 Claim, 7 Drawing Sheets



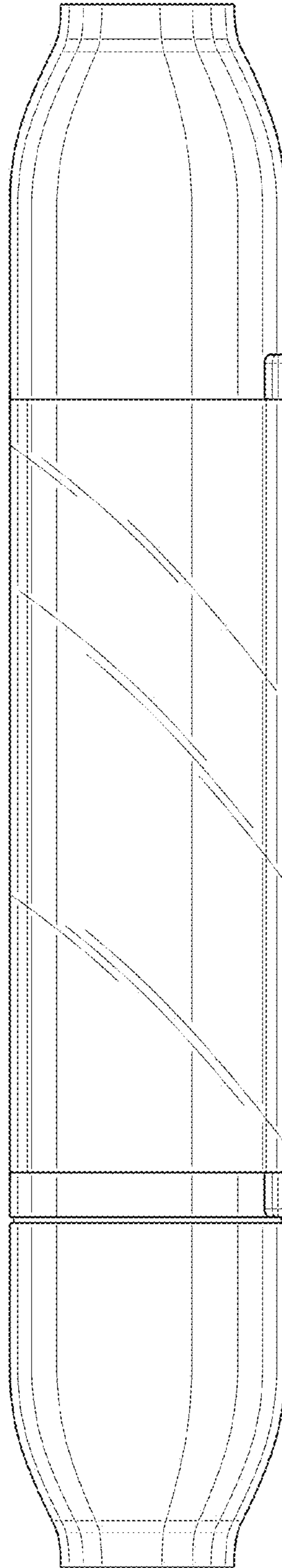


FIG. 1

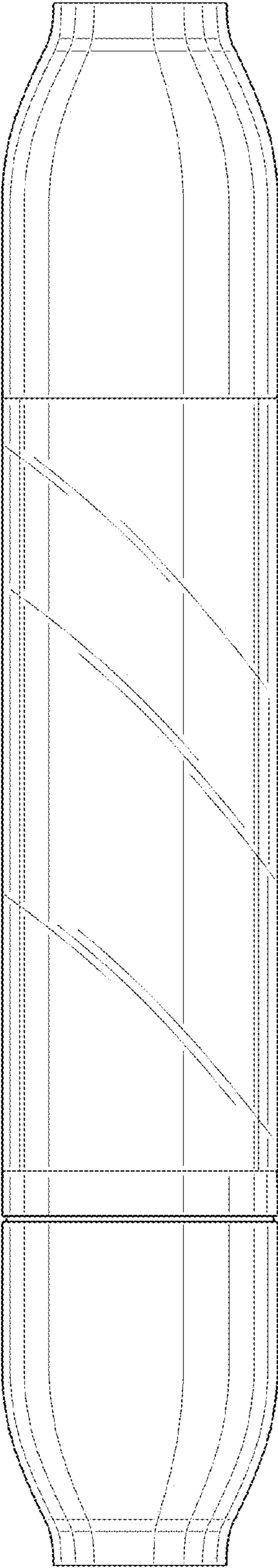


FIG. 2

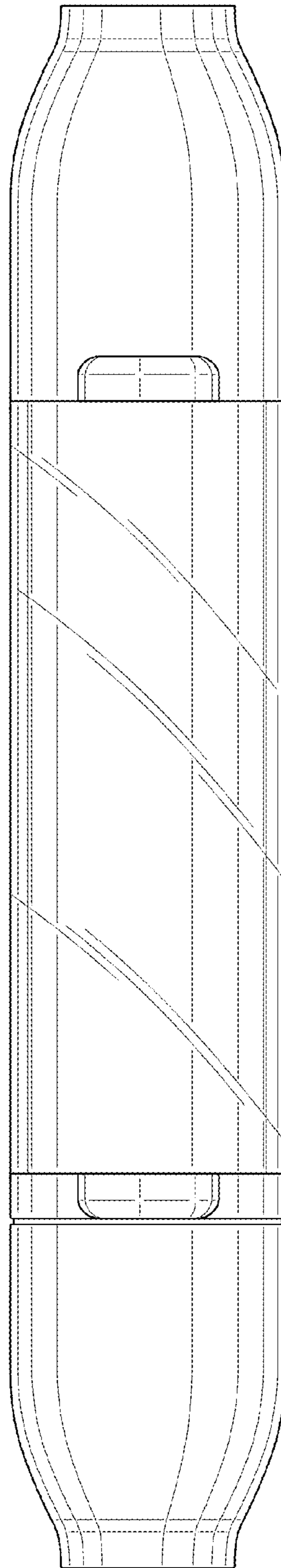


FIG. 3

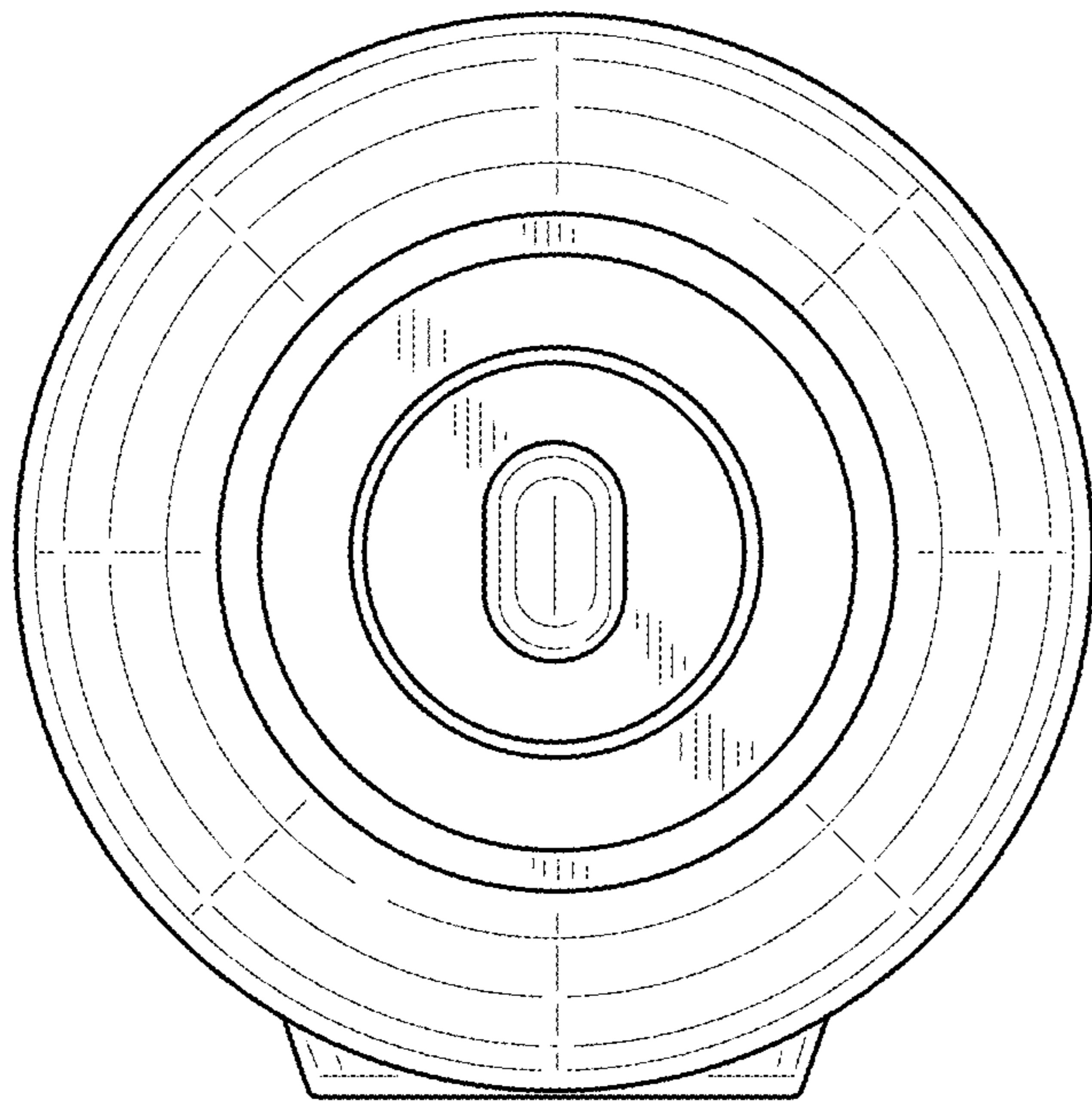


FIG. 4

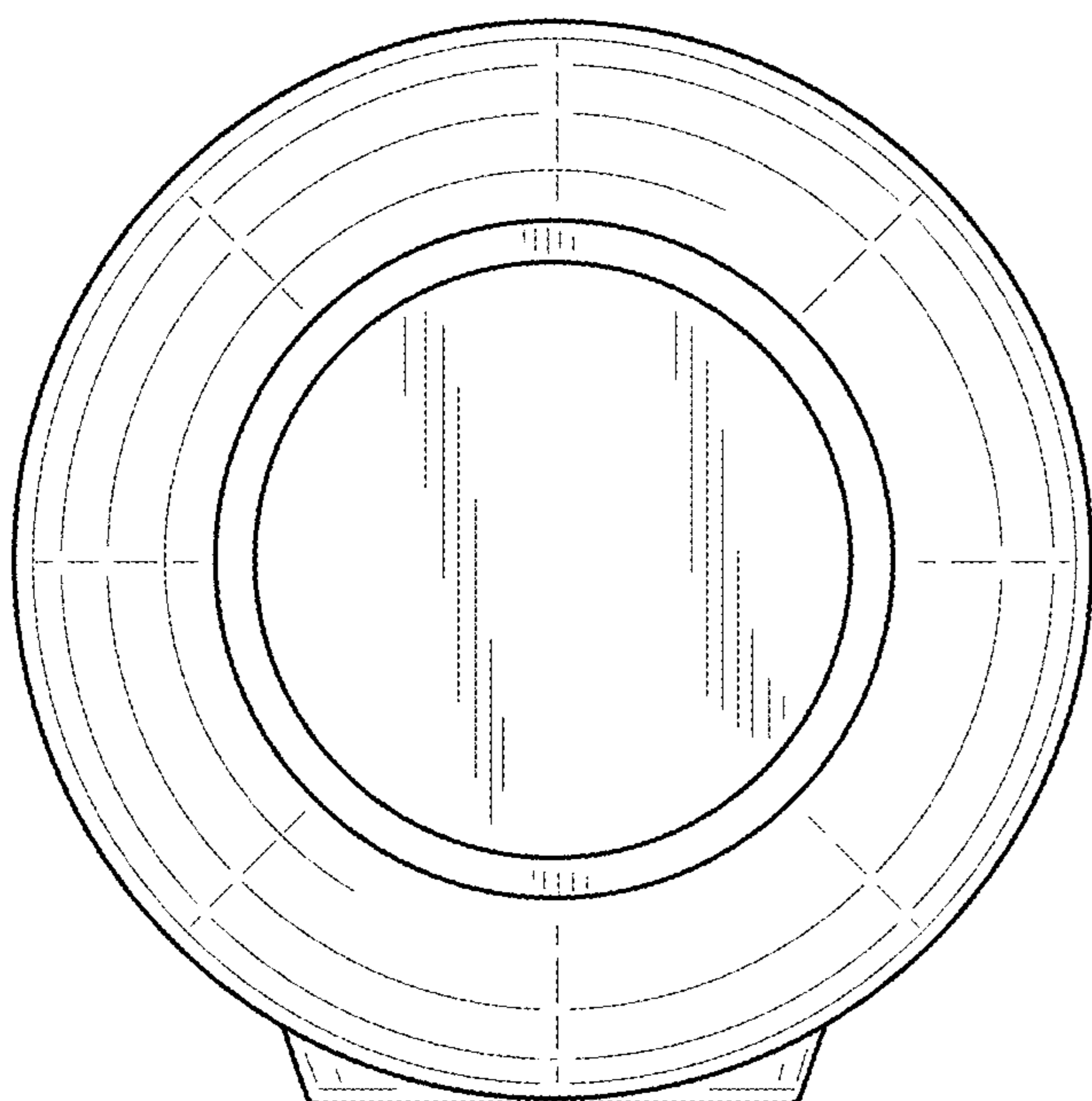


FIG. 5

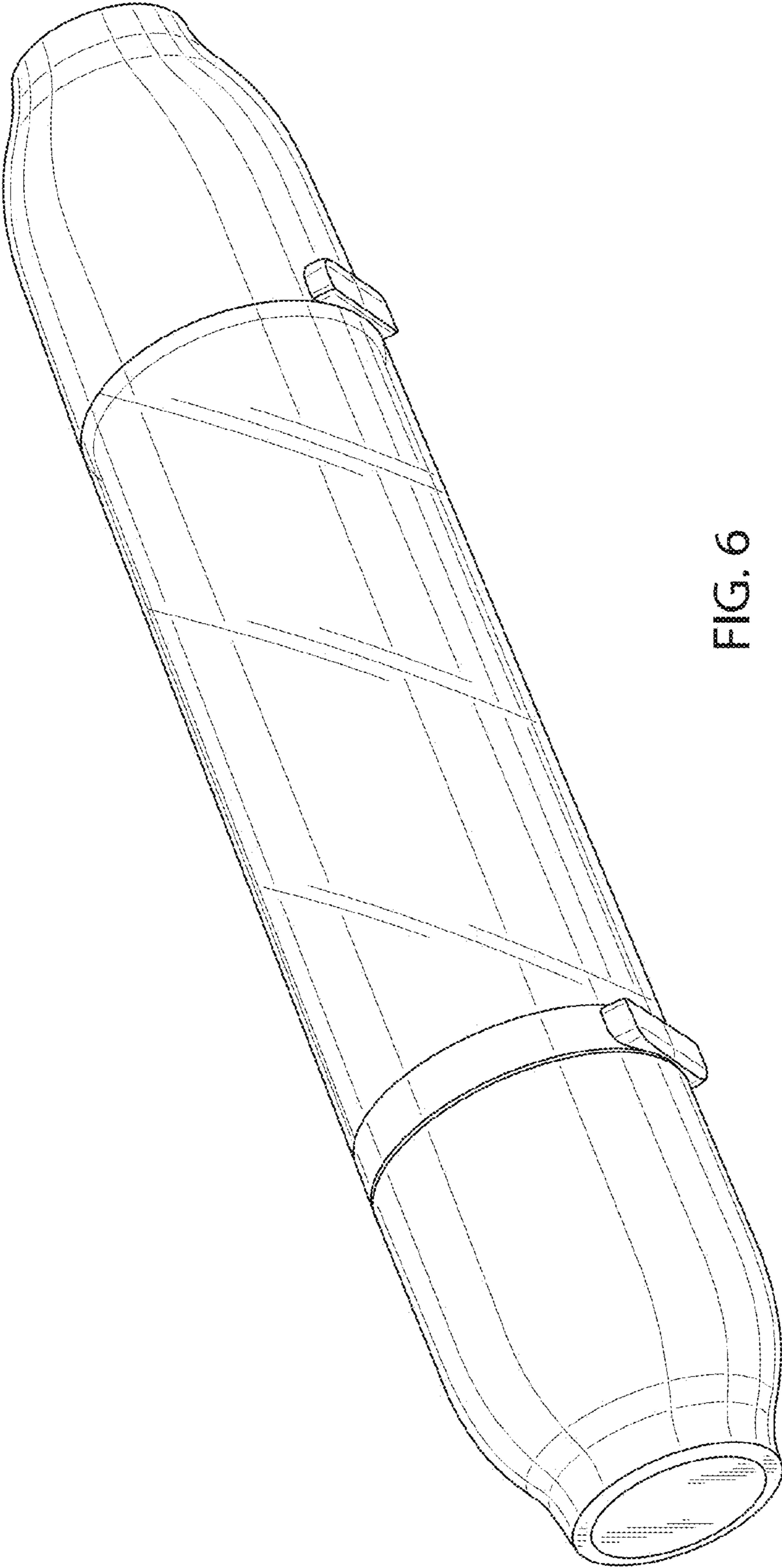


FIG. 6

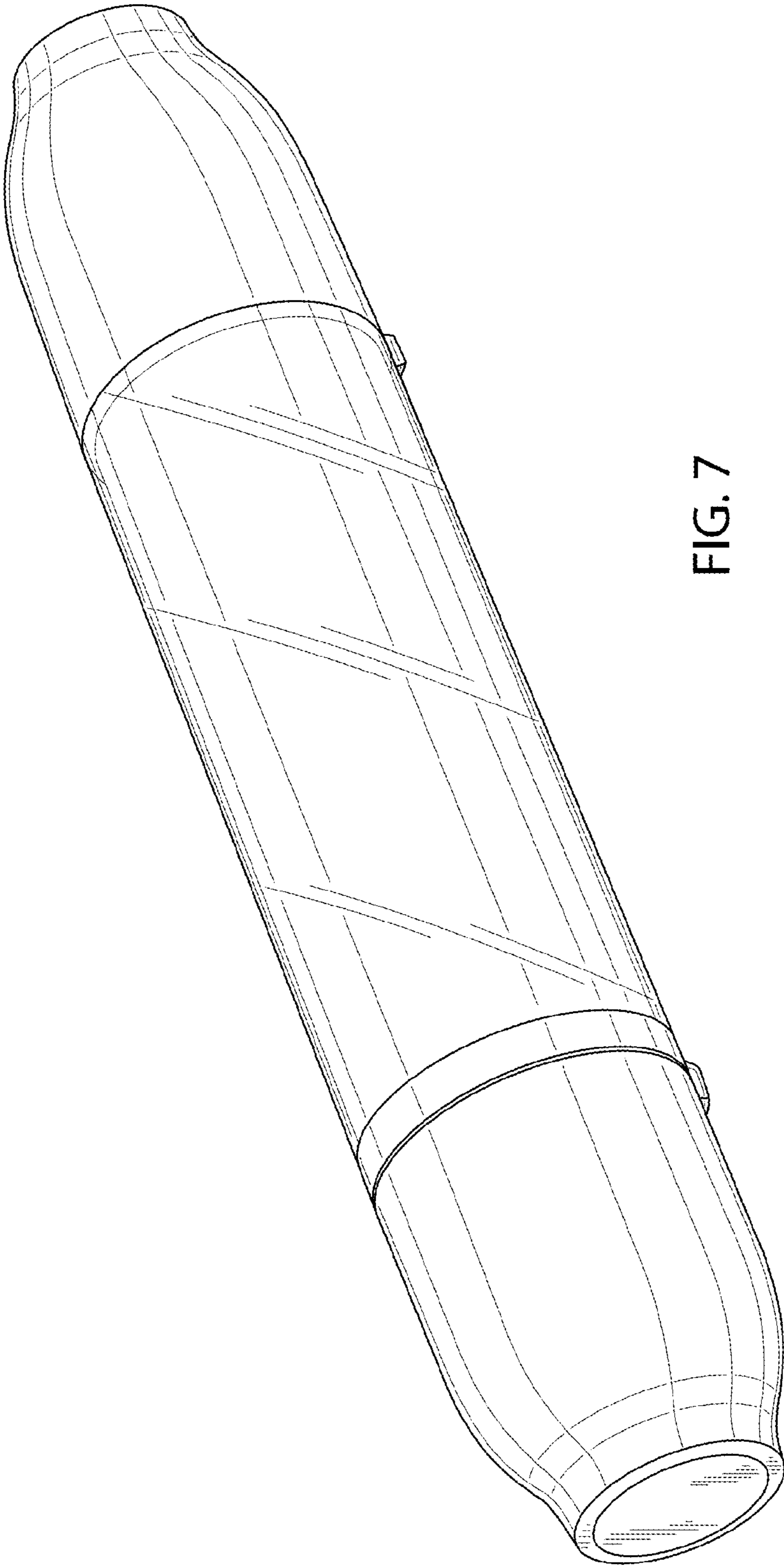


FIG. 7

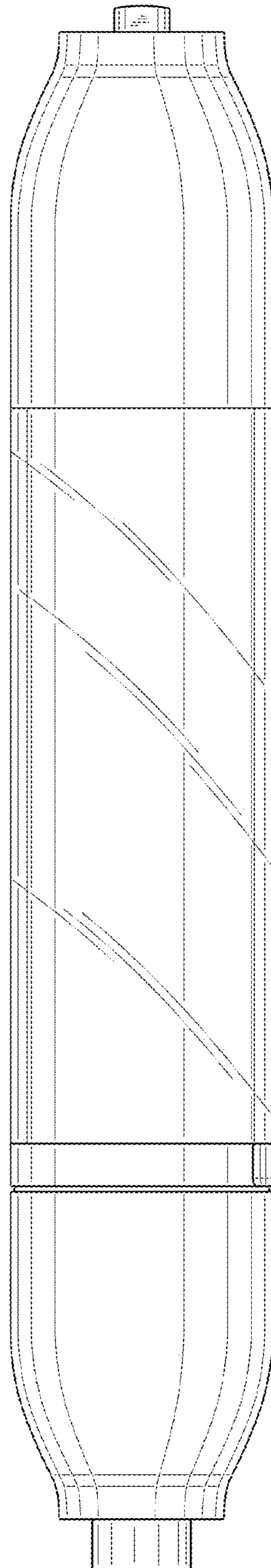


FIG. 8