



US00D697804S

(12) **United States Design Patent**  
**Hanson et al.**

(10) **Patent No.:** **US D697,804 S**  
(45) **Date of Patent:** **\*\* Jan. 21, 2014**

(54) **BEVERAGE BOTTLE**

(71) Applicants: **Christopher Hanson**, St. Louis, MO (US); **Kaysonnia Hunt**, St. Louis, MO (US); **Kristin Korte**, St. Louis, MO (US); **Steve Martin**, Ridgeville, IN (US); **Robert Shanteau**, Chesterfield, MO (US)

(72) Inventors: **Christopher Hanson**, St. Louis, MO (US); **Kaysonnia Hunt**, St. Louis, MO (US); **Kristin Korte**, St. Louis, MO (US); **Steve Martin**, Ridgeville, IN (US); **Robert Shanteau**, Chesterfield, MO (US)

(73) Assignee: **Anheuser-Busch, LLC**

(\*\*) Term: **14 Years**

(21) Appl. No.: **29/448,069**

(22) Filed: **Mar. 8, 2013**

(51) **LOC (10) Cl.** ..... **09-01**

(52) **U.S. Cl.**  
USPC ..... **D9/500**; D9/502; D9/550; D9/558

(58) **Field of Classification Search**  
USPC ..... D9/500, 502-505, 516, 537-540, 549, D9/558, 763-764, 772, 550; 215/379, 215/381-384; 220/660, 662, 669-673, 675  
See application file for complete search history.

(56) **References Cited**

**U.S. PATENT DOCUMENTS**

|              |         |                |              |
|--------------|---------|----------------|--------------|
| D242,987 S   | 1/1977  | Weckman        |              |
| D247,472 S   | 3/1978  | Byrne          |              |
| D264,306 S   | 5/1982  | Pardo          |              |
| D278,682 S   | 5/1985  | Khalifa        |              |
| D292,374 S   | 10/1987 | Jacobs et al.  |              |
| D292,375 S   | 10/1987 | Jacobs et al.  |              |
| D330,334 S * | 10/1992 | Rusnock et al. | ..... D9/500 |
| D333,434 S   | 2/1993  | Sosenko        |              |

|              |         |                 |              |
|--------------|---------|-----------------|--------------|
| D344,895 S   | 3/1994  | Berti           |              |
| D357,864 S * | 5/1995  | Rusnock et al.  | ..... D9/500 |
| D363,026 S * | 10/1995 | Sillince et al. | ..... D9/500 |
| D364,347 S * | 11/1995 | Sillince et al. | ..... D9/500 |
| D374,176 S * | 10/1996 | Sillince et al. | ..... D9/719 |
| D418,051 S   | 12/1999 | van Wyk         |              |
| D432,422 S   | 10/2000 | Del Bianco      |              |
| D434,661 S   | 12/2000 | Zambrano        |              |
| D450,589 S * | 11/2001 | Haake et al.    | ..... D9/502 |
| D452,436 S * | 12/2001 | Darr et al.     | ..... D9/500 |
| D463,289 S   | 9/2002  | Haake et al.    |              |
| D472,811 S * | 4/2003  | Deubel et al.   | ..... D9/502 |
| D473,469 S   | 4/2003  | Claessen        |              |
| D476,571 S   | 7/2003  | Lince           |              |
| D476,896 S * | 7/2003  | Cheng et al.    | ..... D9/520 |
| D477,533 S   | 7/2003  | Kornick et al.  |              |
| D477,534 S   | 7/2003  | Kornick et al.  |              |
| D489,983 S * | 5/2004  | Futral et al.   | ..... D9/500 |

(Continued)

**OTHER PUBLICATIONS**

“660 Std. Crown Non Pressure”, Standard Finishes, Owens-Illinois Glass Company Food Industries Catalog, Owens-Illinois Glass Co., OH, © 1948, p. G.\*

*Primary Examiner* — Ian Simmons

*Assistant Examiner* — Dana L Meyrow

(74) *Attorney, Agent, or Firm* — Gardere Wynne Sewell LLP

(57) **CLAIM**

The ornamental design for a beverage bottle, as shown and described.

**DESCRIPTION**

FIG. 1 is a perspective view of the beverage bottle of the present invention.

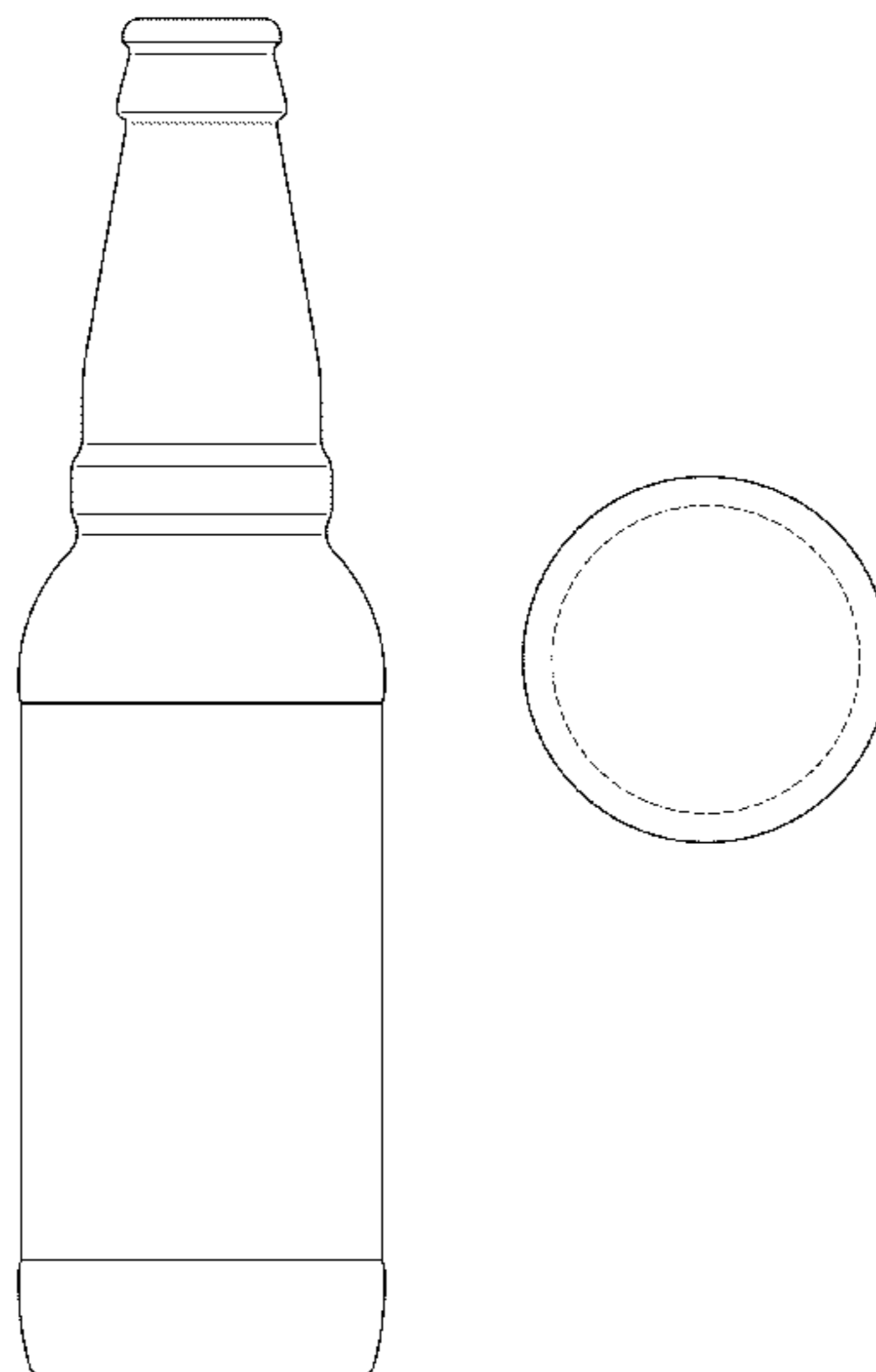
FIG. 2 is an elevation view of the bottle of FIG. 1, the bottle being otherwise symmetrical about its longitudinal axis.

FIG. 3 is a top plan view of the bottle of FIG. 1; and,

FIG. 4 is a bottom plan view of the bottle of FIG. 1.

The broken lines in the drawings illustrate the portions of the design that form no part of the claim.

**1 Claim, 2 Drawing Sheets**



(56)

**References Cited**

U.S. PATENT DOCUMENTS

D508,856 S \* 8/2005 Boon et al. .... D9/545  
D518,734 S \* 4/2006 Boon et al. .... D9/551  
D543,462 S 5/2007 Pedmo et al.  
D555,495 S 11/2007 Dunman, Jr.  
D572,590 S 7/2008 Coulis et al.

D581,272 S \* 11/2008 Yourist et al. .... D9/502  
D613,610 S 4/2010 Wu  
D617,200 S 6/2010 Goldburt  
D630,519 S 1/2011 Toms et al.  
D631,360 S 1/2011 van Westreenen  
D652,723 S 1/2012 Reisig  
D657,677 S 4/2012 Berzosa Sanchez

\* cited by examiner

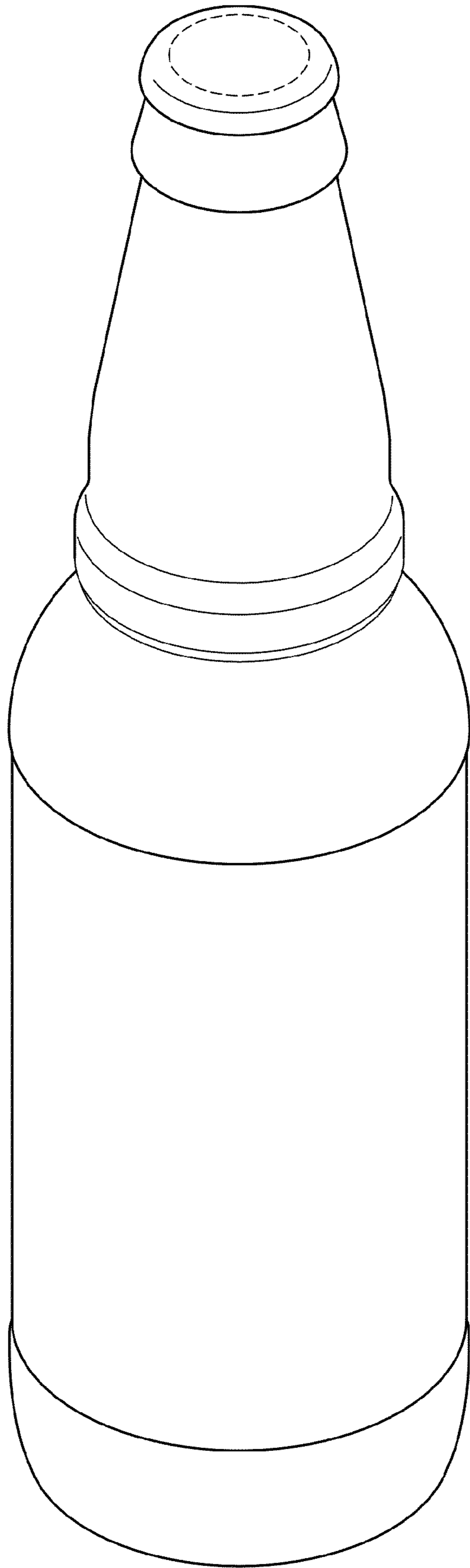


FIG. 1

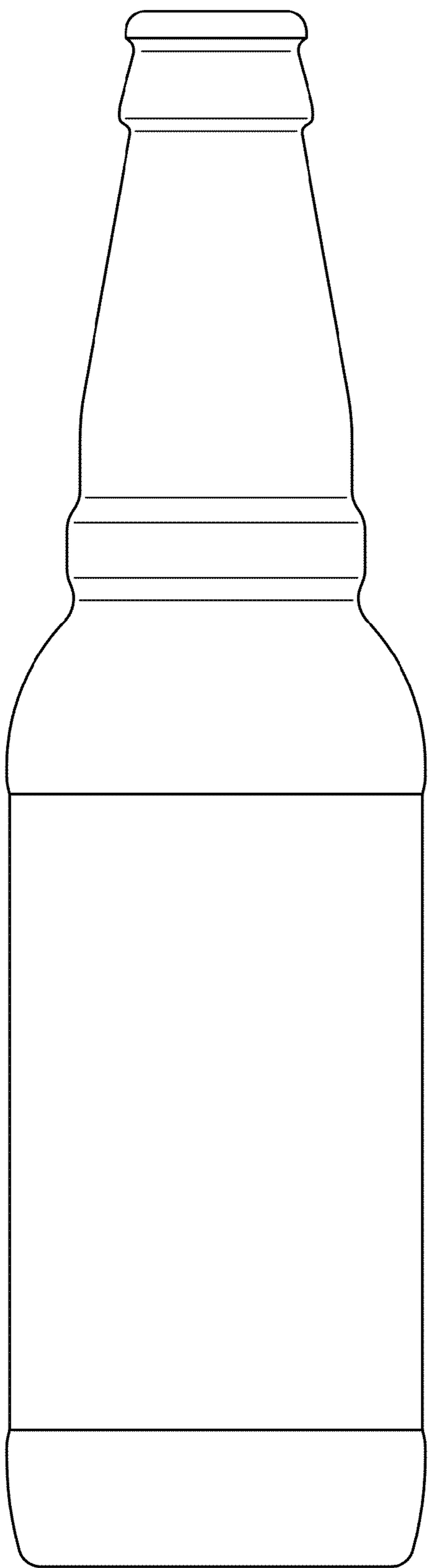


FIG. 2

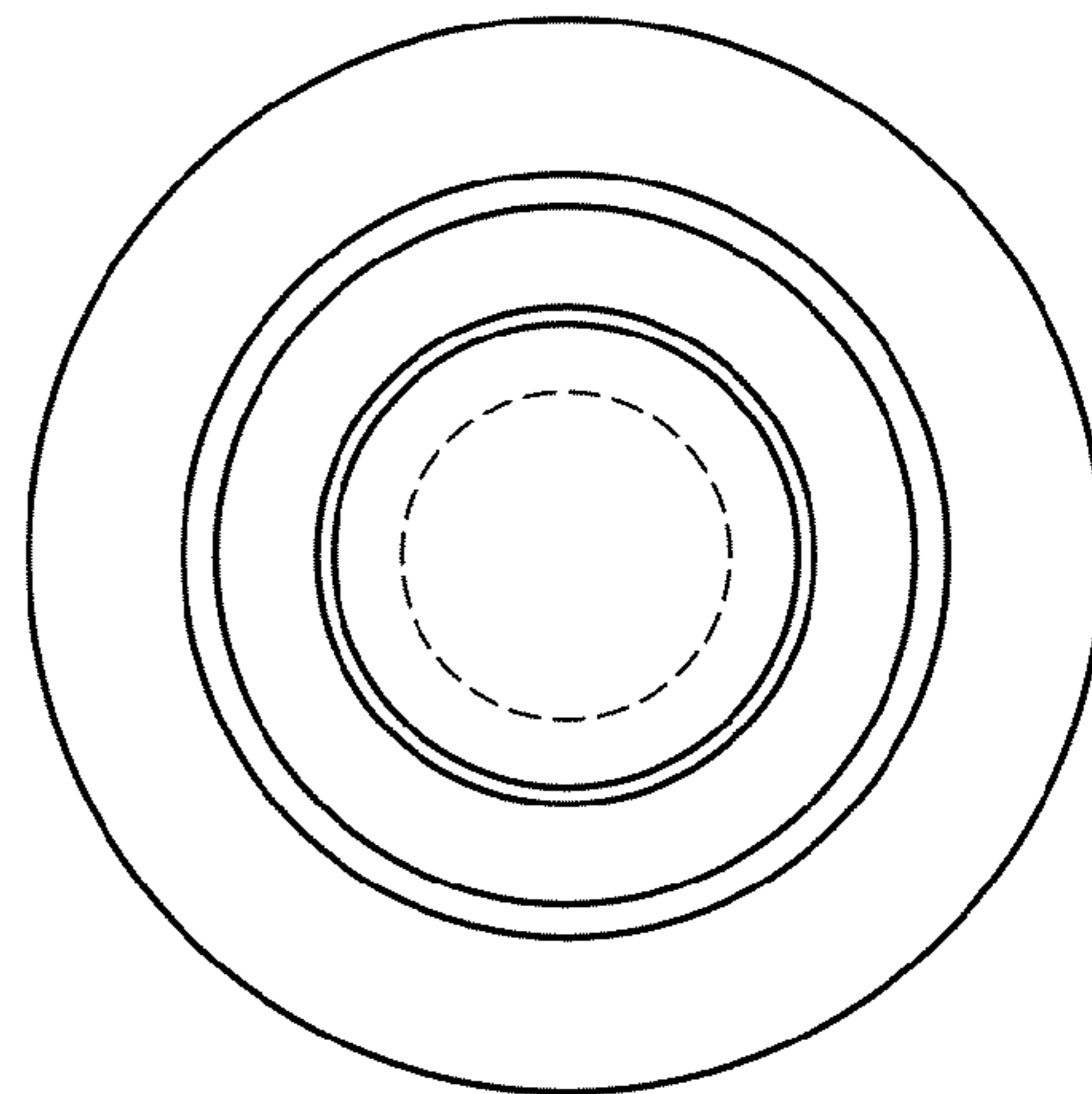


FIG. 3

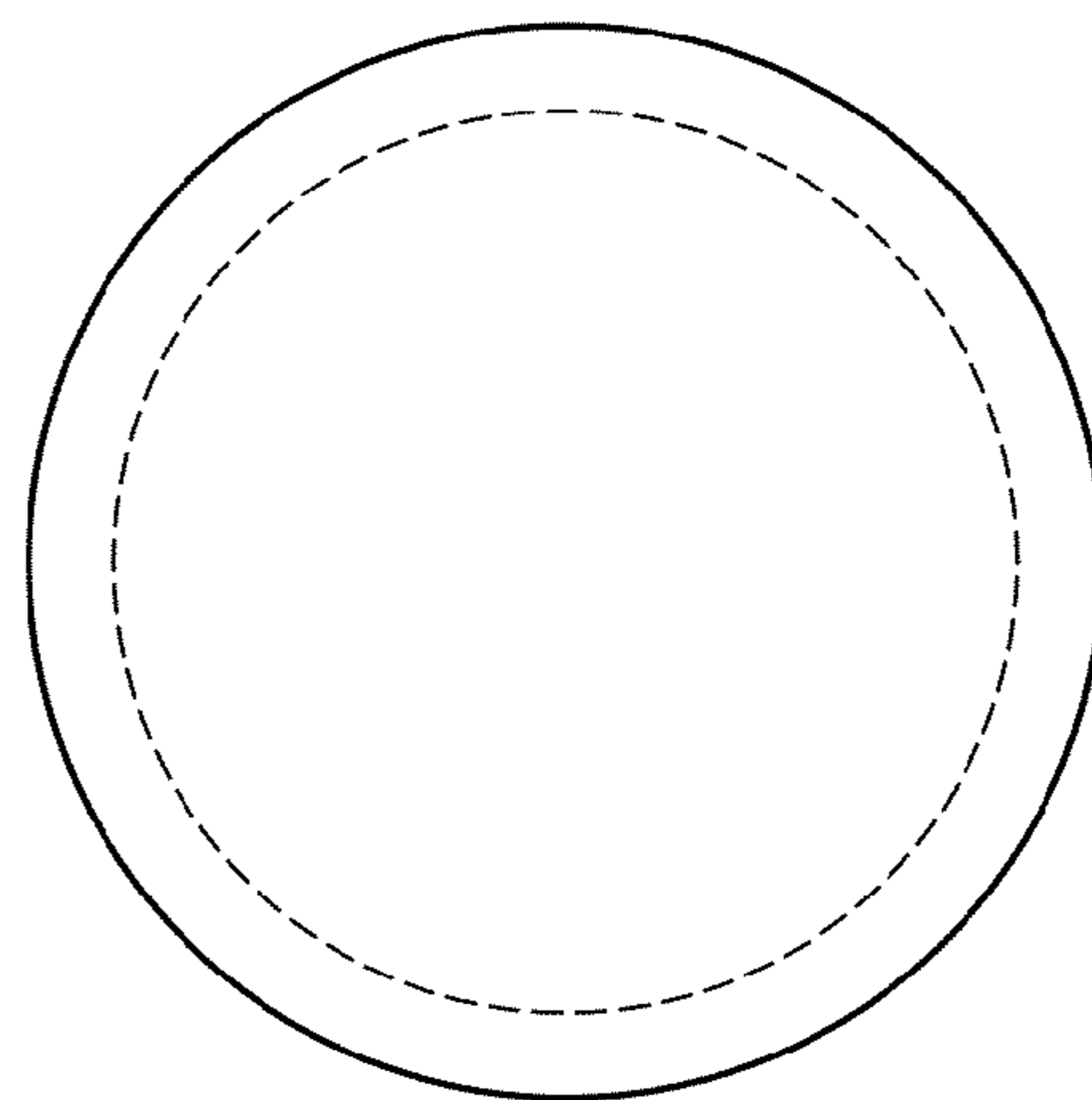


FIG. 4