



US00D697802S

(12) **United States Design Patent**  
**Lane**

(10) **Patent No.:** **US D697,802 S**  
(45) **Date of Patent:** **\*\* Jan. 21, 2014**

- (54) **DRINK BOTTLE WITH SMOOTH SIDES**
- (75) Inventor: **Marvin Lane**, Round Lake Beach, IL (US)
- (73) Assignee: **Thermos L.L.C.**, Schaumburg, IL (US)
- (\*\*) Term: **14 Years**
- (21) Appl. No.: **29/422,421**
- (22) Filed: **May 21, 2012**
- (51) **LOC (10) Cl.** ..... **09-01**
- (52) **U.S. Cl.**  
USPC ..... **D9/500; D9/535; D9/772**
- (58) **Field of Classification Search**  
USPC ..... D9/500, 503–505, 516, 520, 529,  
D9/534–535, 537, 549, 557, 570, 682, 686,  
D9/688, 690, 694, 763, 767, 772, 509,  
D9/511; D7/705–511, 602, 608, 619.1,  
D7/629; 215/379–382; 220/660–661,  
220/669–670, 675  
See application file for complete search history.

(56) **References Cited**

**U.S. PATENT DOCUMENTS**

D113,416	S	*	2/1939	Barrett	.....	D9/500
2,758,755	A	*	8/1956	Schafler	.....	D9/500
3,349,956	A	*	10/1967	Stephan	.....	D9/520
D223,899	S	*	6/1972	Zundel	.....	D9/503
D246,029	S	*	10/1977	Lynn et al.	.....	D9/780
4,356,935	A	*	11/1982	Kamin	.....	222/1
D273,461	S	*	4/1984	Sevenoaks	.....	D9/500
D671,835	S	*	12/2012	Penafiel Saez	.....	D9/500

**OTHER PUBLICATIONS**

Contigo—Autospout Addison Water Bottle—24 oz., printed Jun. 20, 2012.  
Zojirushi product—Stainless Steel Vacuum Bottle Model No. ST-KA12, printed Jul. 26, 2011.

\* cited by examiner

*Primary Examiner* — Wan Laymon

(74) *Attorney, Agent, or Firm* — Schiff Hardin LLP

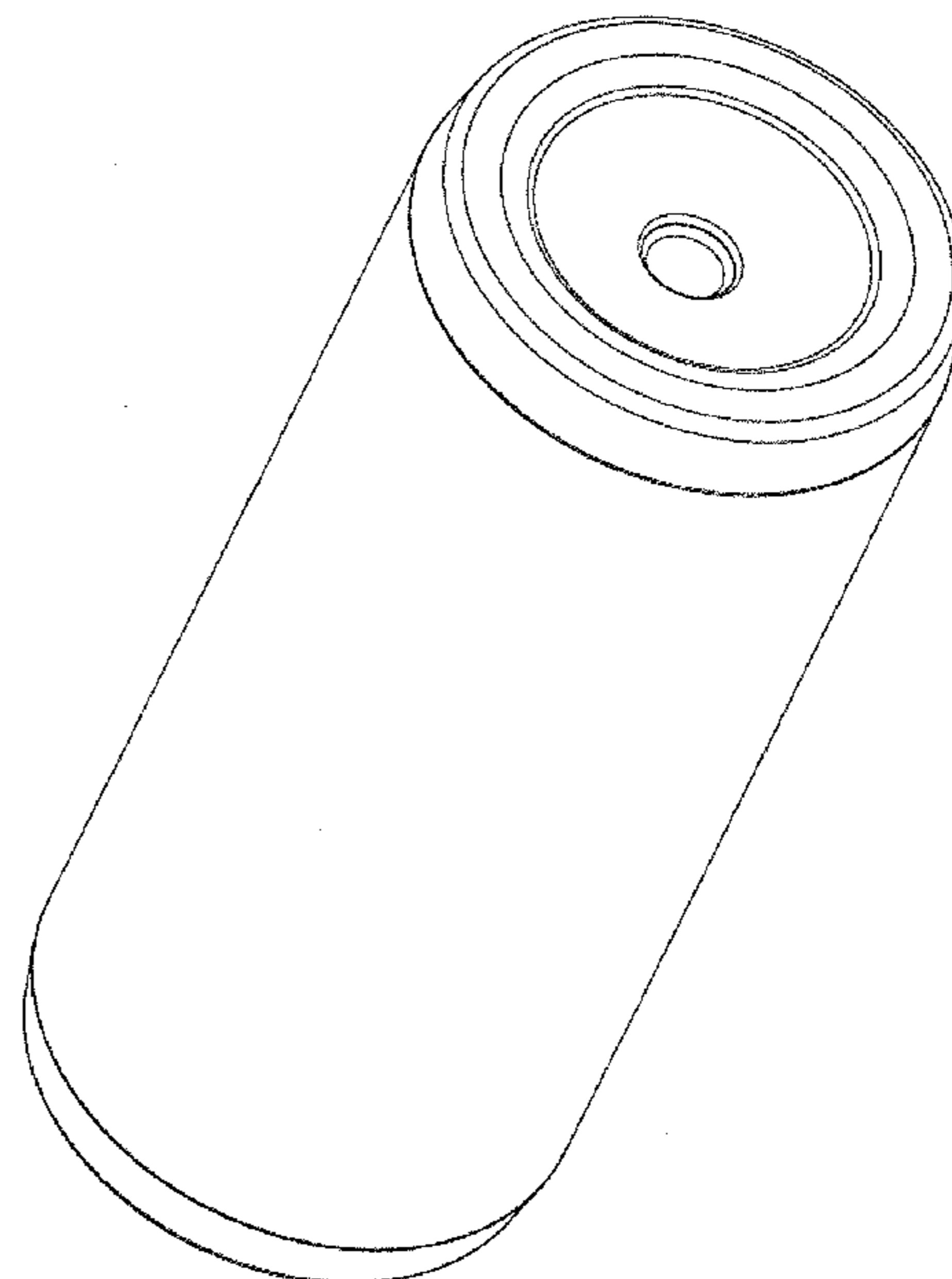
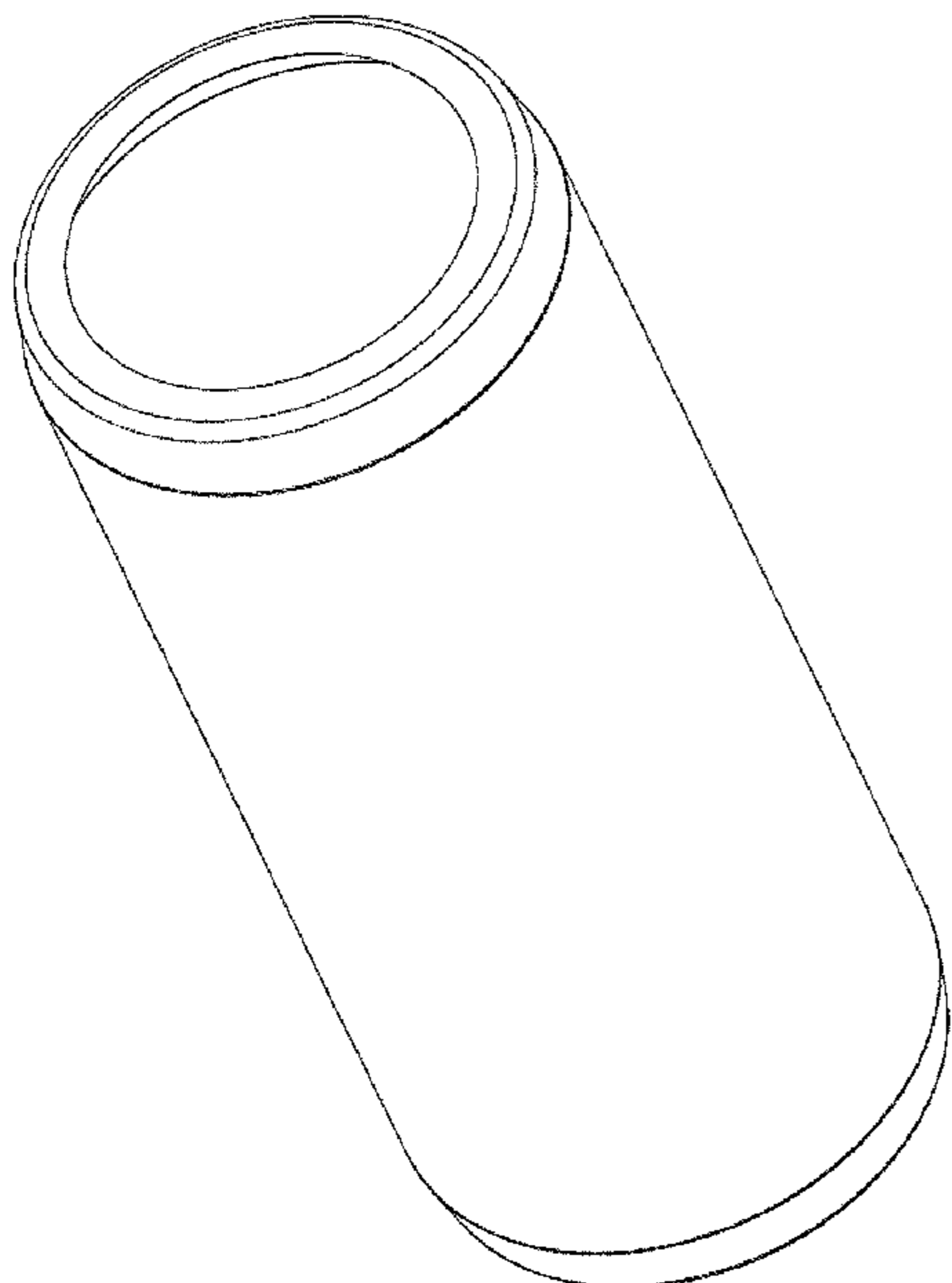
(57) **CLAIM**

The ornamental design of the drink bottle with smooth sides, as shown and described.

**DESCRIPTION**

FIG. 1 is a perspective view taken from the top, rear, right-hand side of the drink bottle with smooth sides of the present invention;  
FIG. 2 is a perspective view taken from the bottom, front, left-hand side of the drink bottle with smooth sides of FIG. 1;  
FIG. 3 is a side elevational view of the left side of the drink bottle with smooth sides of FIG. 1;  
FIG. 4 is a front elevational view of the drink bottle with smooth sides of FIG. 1;  
FIG. 5 is a side elevational view of the right side of the drink bottle with smooth sides of FIG. 1;  
FIG. 6 is a rear elevational view of the drink bottle with smooth sides of FIG. 1;  
FIG. 7 is a top plan view of the drink bottle with smooth sides of FIG. 1; and,  
FIG. 8 is a bottom plan view of the drink bottle with smooth sides of FIG. 1.

**1 Claim, 8 Drawing Sheets**



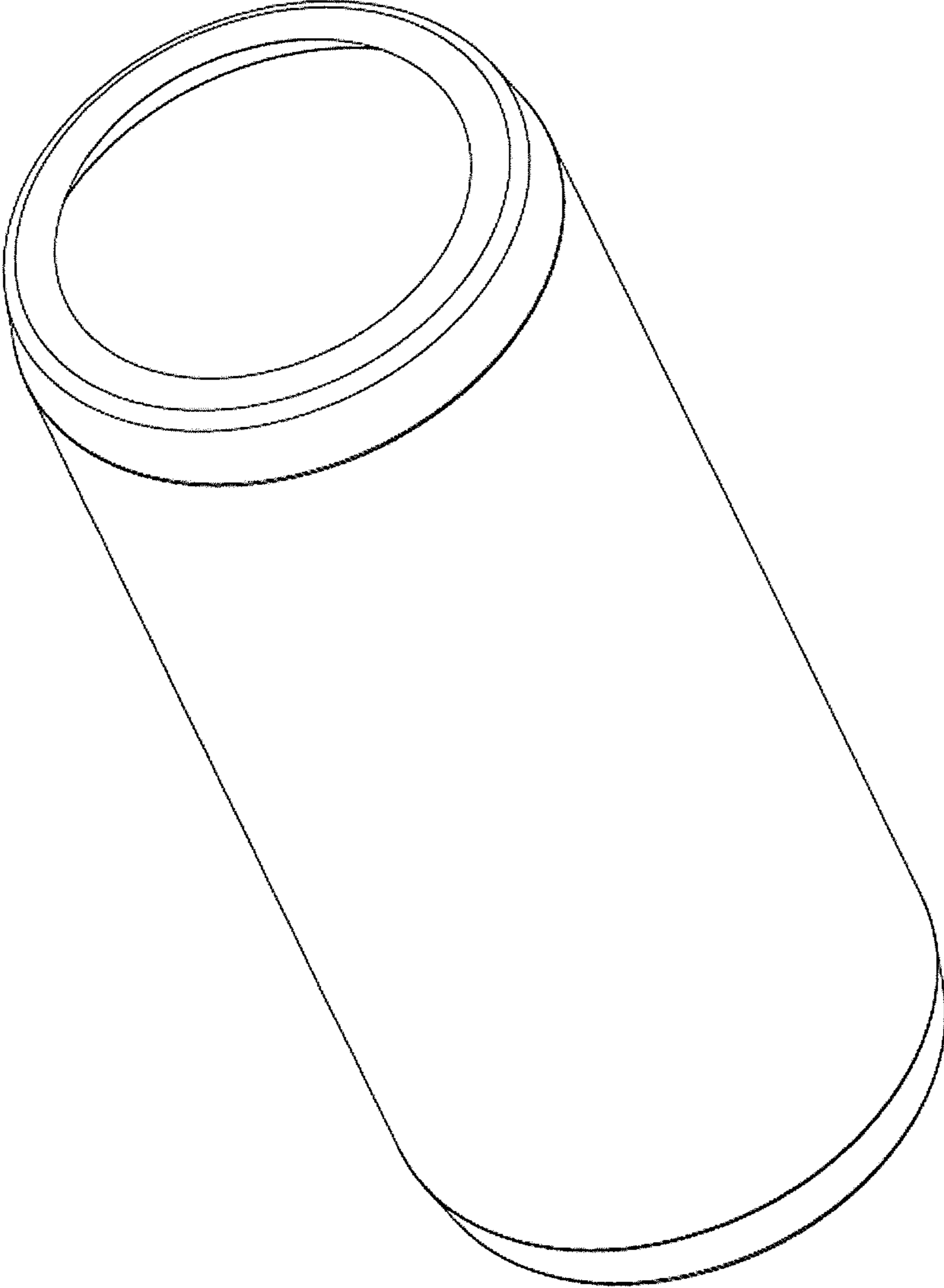


Figure 1

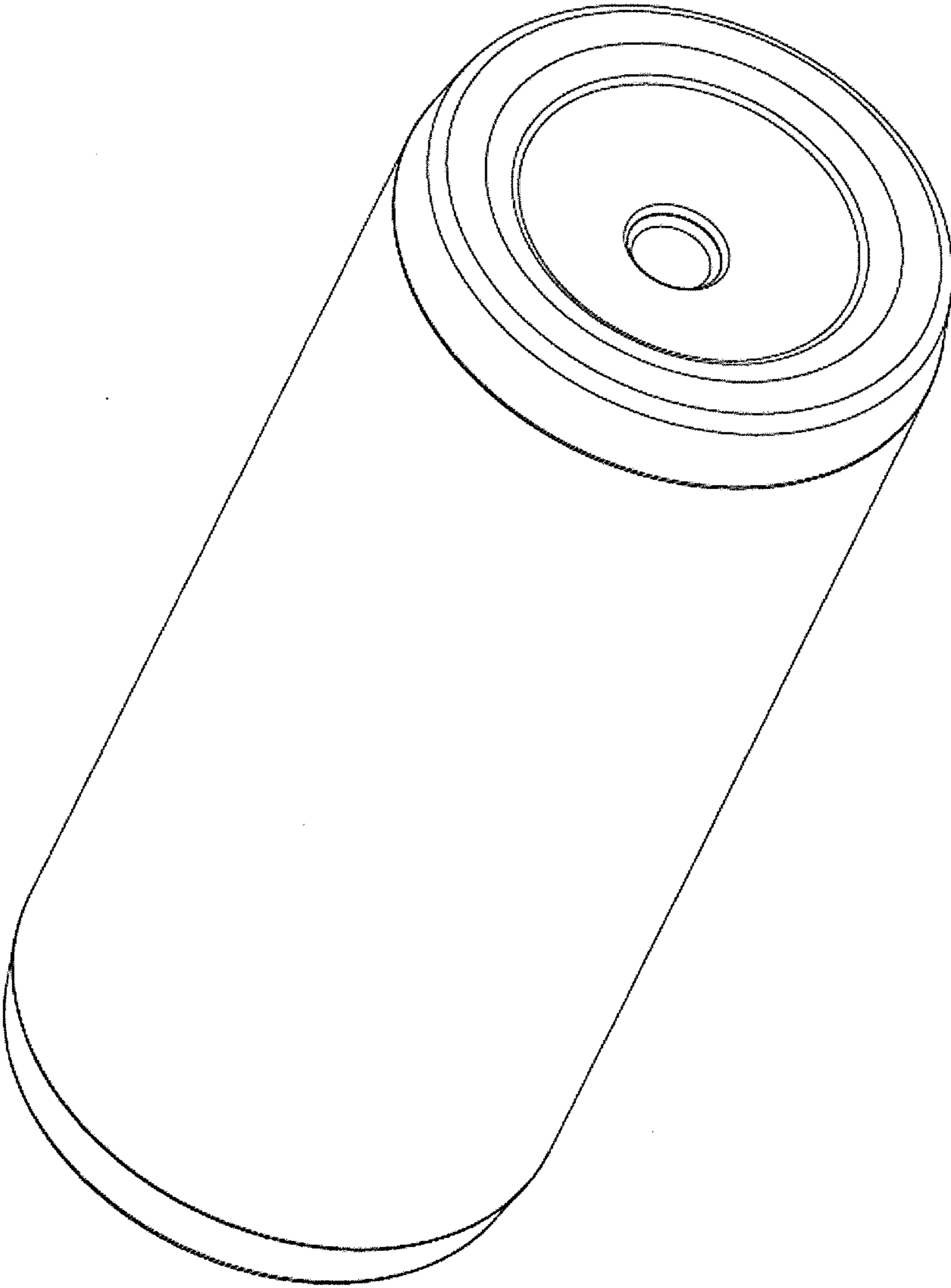


Figure 2

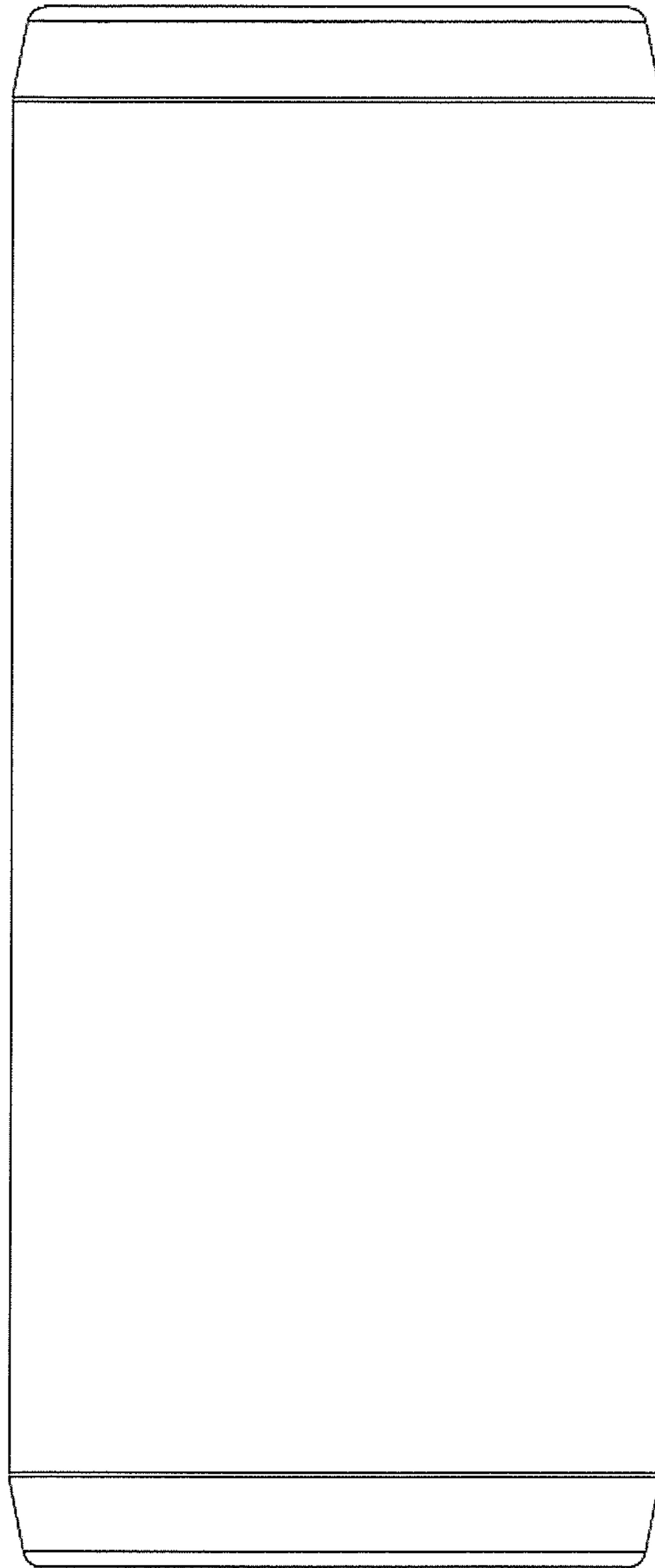


Figure 3

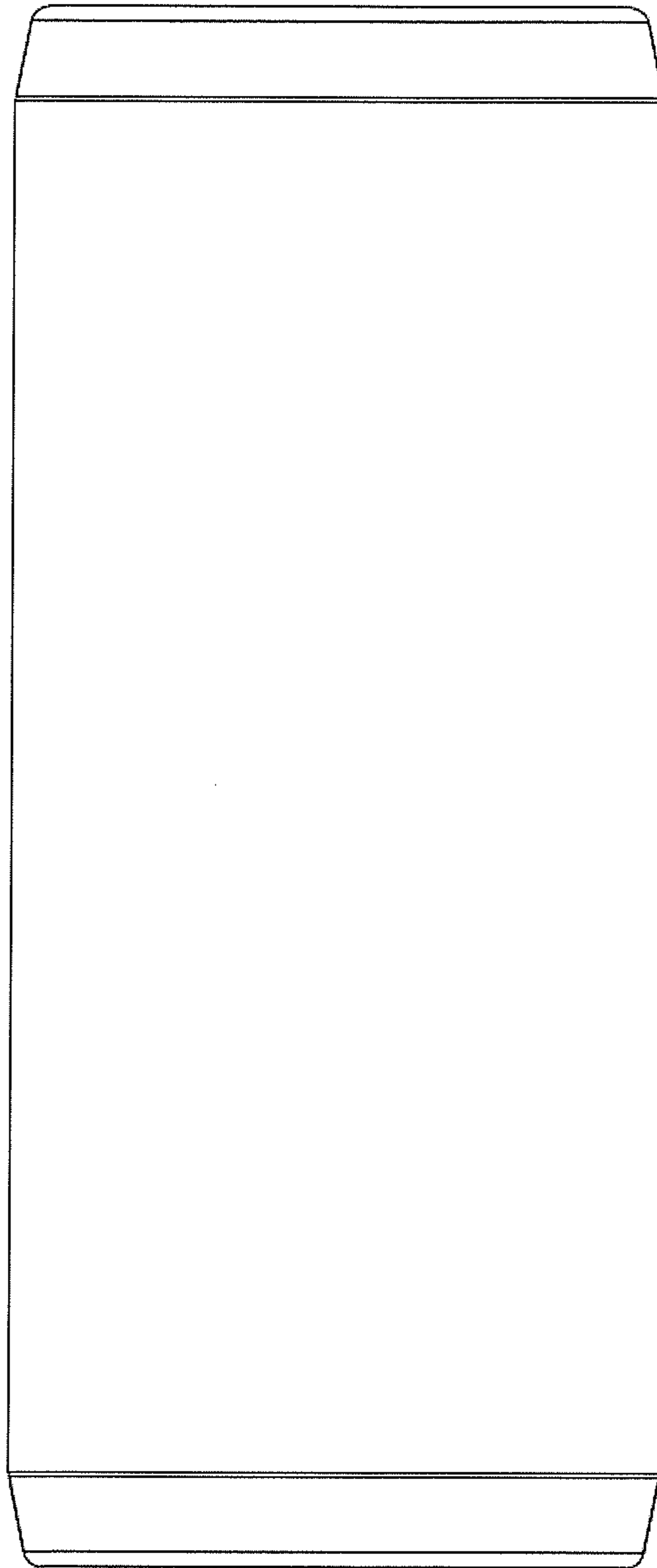


Figure 4

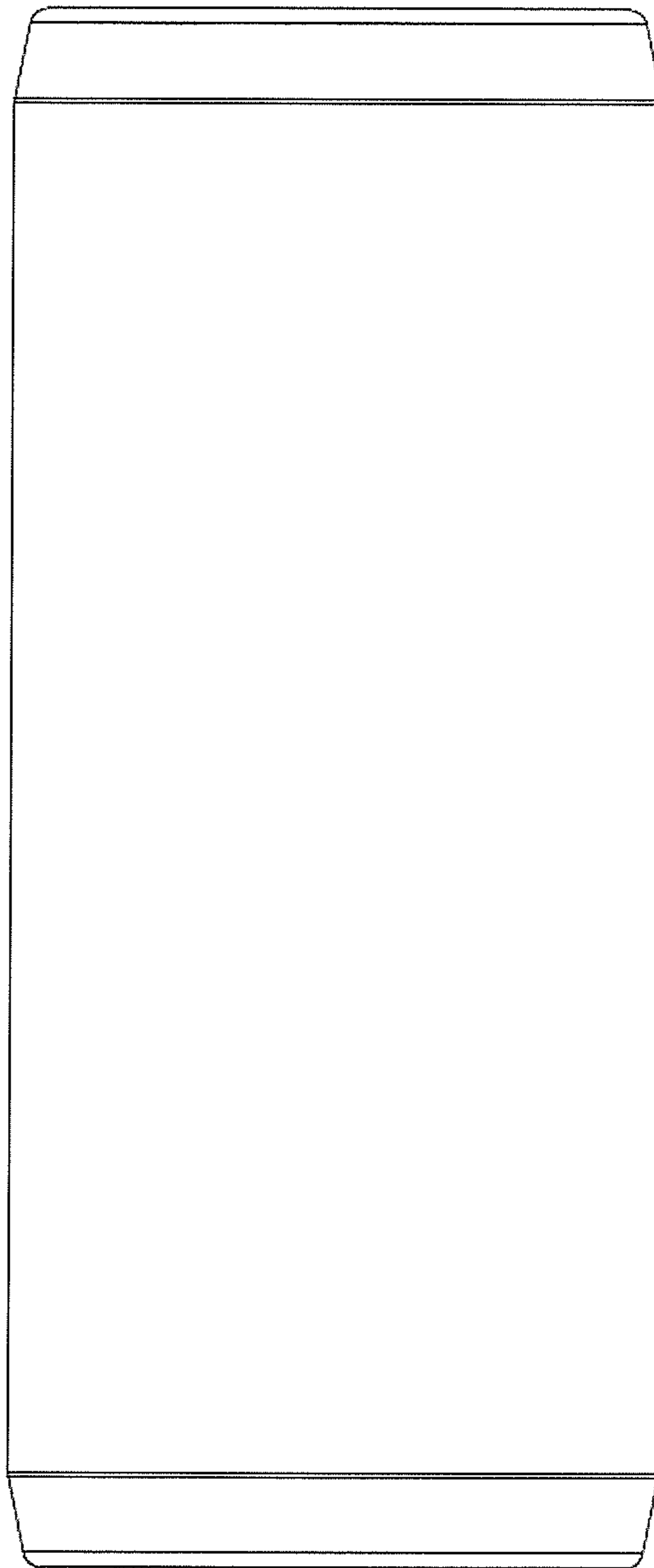


Figure 5

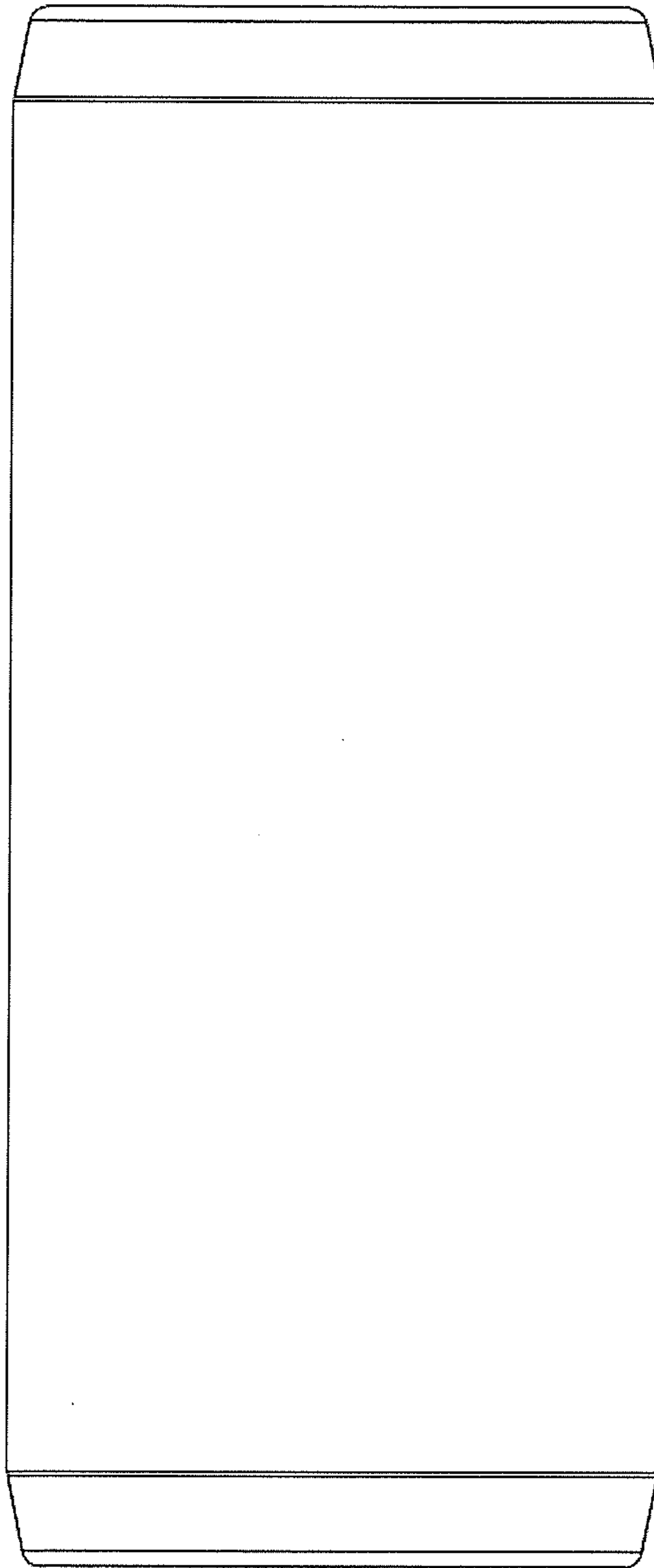


Figure 6

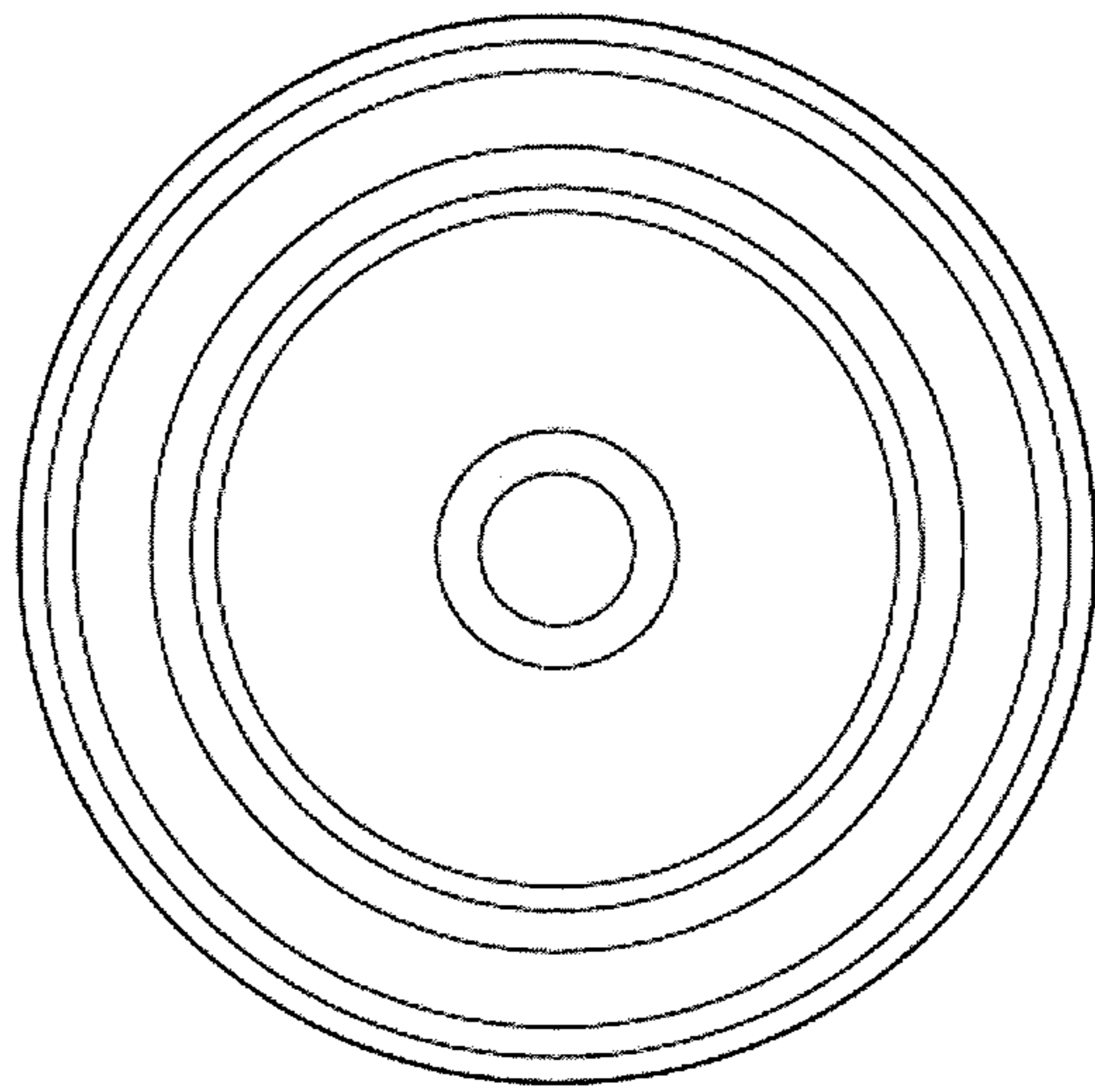


Figure 7



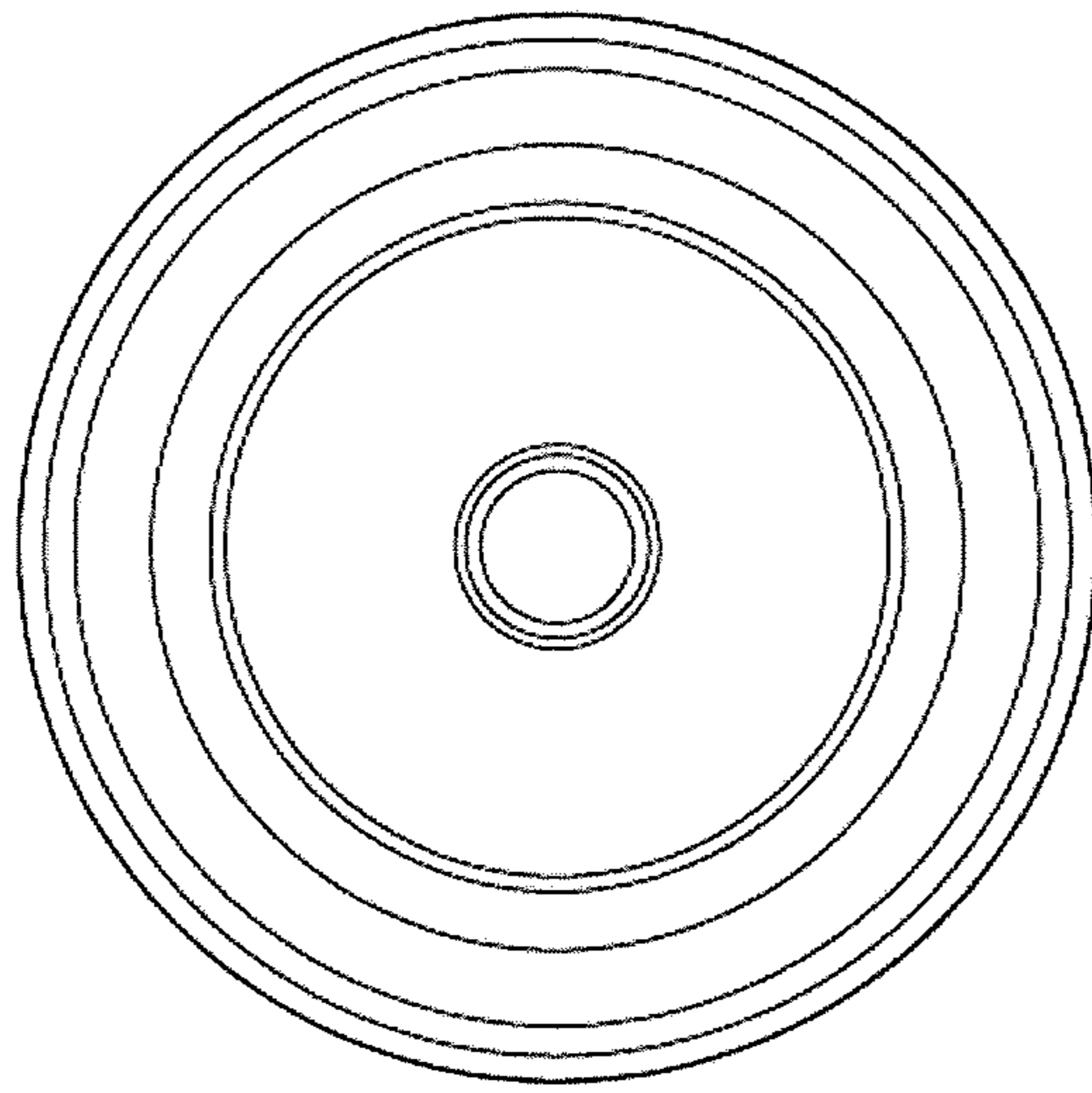


Figure 8