



US00D697799S

(12) **United States Design Patent**  
**Sanders**

(10) **Patent No.:** **US D697,799 S**

(45) **Date of Patent:** **\*\* Jan. 21, 2014**

(54) **POUR SPOUT**

(75) Inventor: **Michael David Sanders**, Cincinnati, OH (US)

(73) Assignee: **The Procter & Gamble Company**, Cincinnati, OH (US)

(\*\*) Term: **14 Years**

(21) Appl. No.: **29/418,777**

(22) Filed: **Apr. 20, 2012**

(51) **LOC (10) Cl.** ..... **09-07**

(52) **U.S. Cl.**  
USPC ..... **D9/447**

(58) **Field of Classification Search**  
USPC ..... D9/453, 449, 447, 440, 436, 435, 434;  
D7/398, 397; 222/570, 569  
See application file for complete search history.

(56) **References Cited**

**U.S. PATENT DOCUMENTS**

D176,109	S	*	11/1955	Del Mas	.....	D9/447
D222,829	S	*	1/1972	Proctor	.....	D9/447
D284,452	S	*	7/1986	McKay	.....	D9/434
D369,975	S	*	5/1996	Simon	.....	D9/435
D382,801	S	*	8/1997	Samson	.....	D9/435
2007/0241141	A1	*	10/2007	Maki et al.	.....	222/570
2010/0219186	A1	*	9/2010	Kuwagaki et al.	.....	220/256.1
2011/0311296	A1		12/2011	Chawla et al.		

\* cited by examiner

*Primary Examiner* — Susan Bennett Hattan

(74) *Attorney, Agent, or Firm* — Gary J. Foose

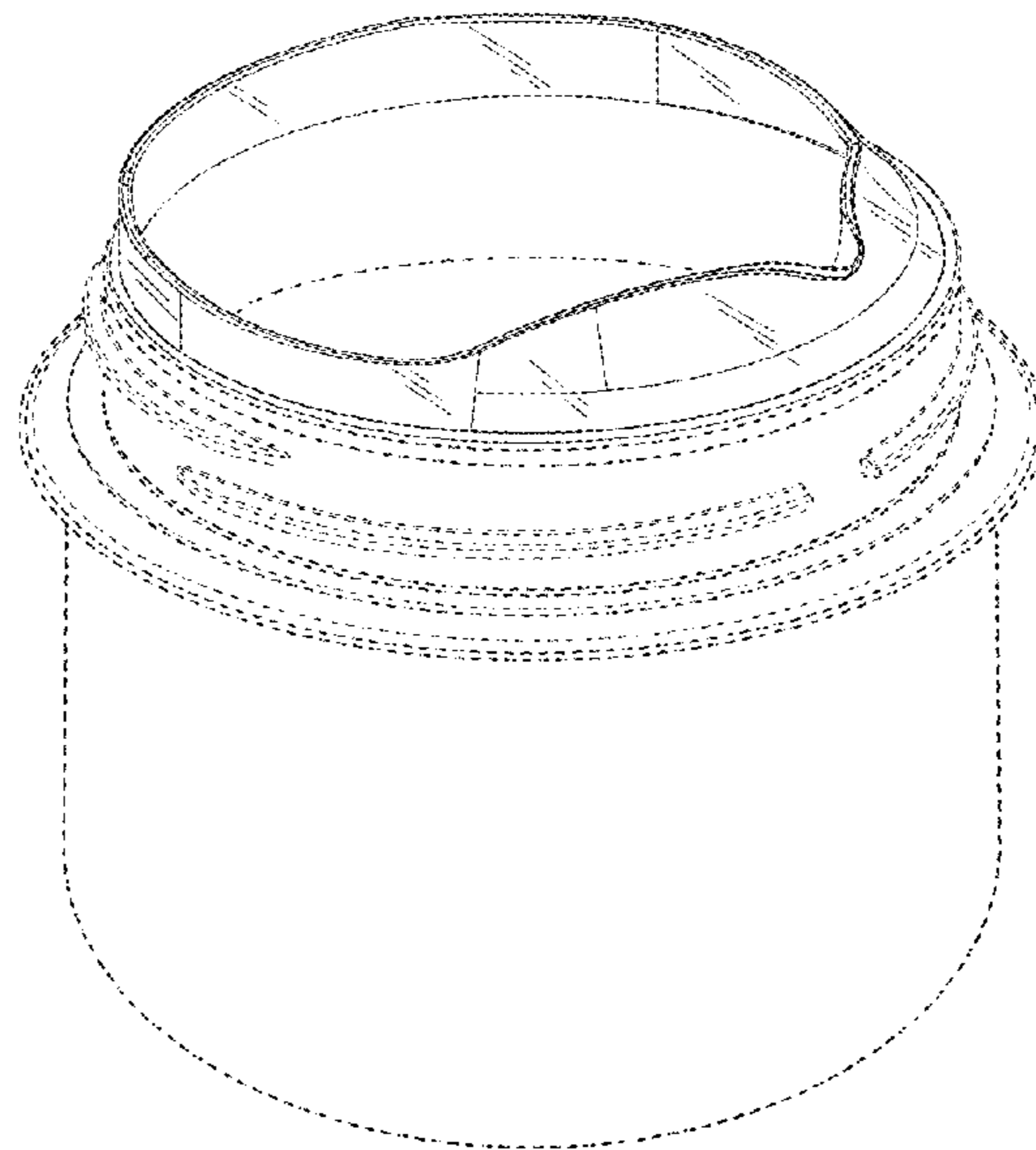
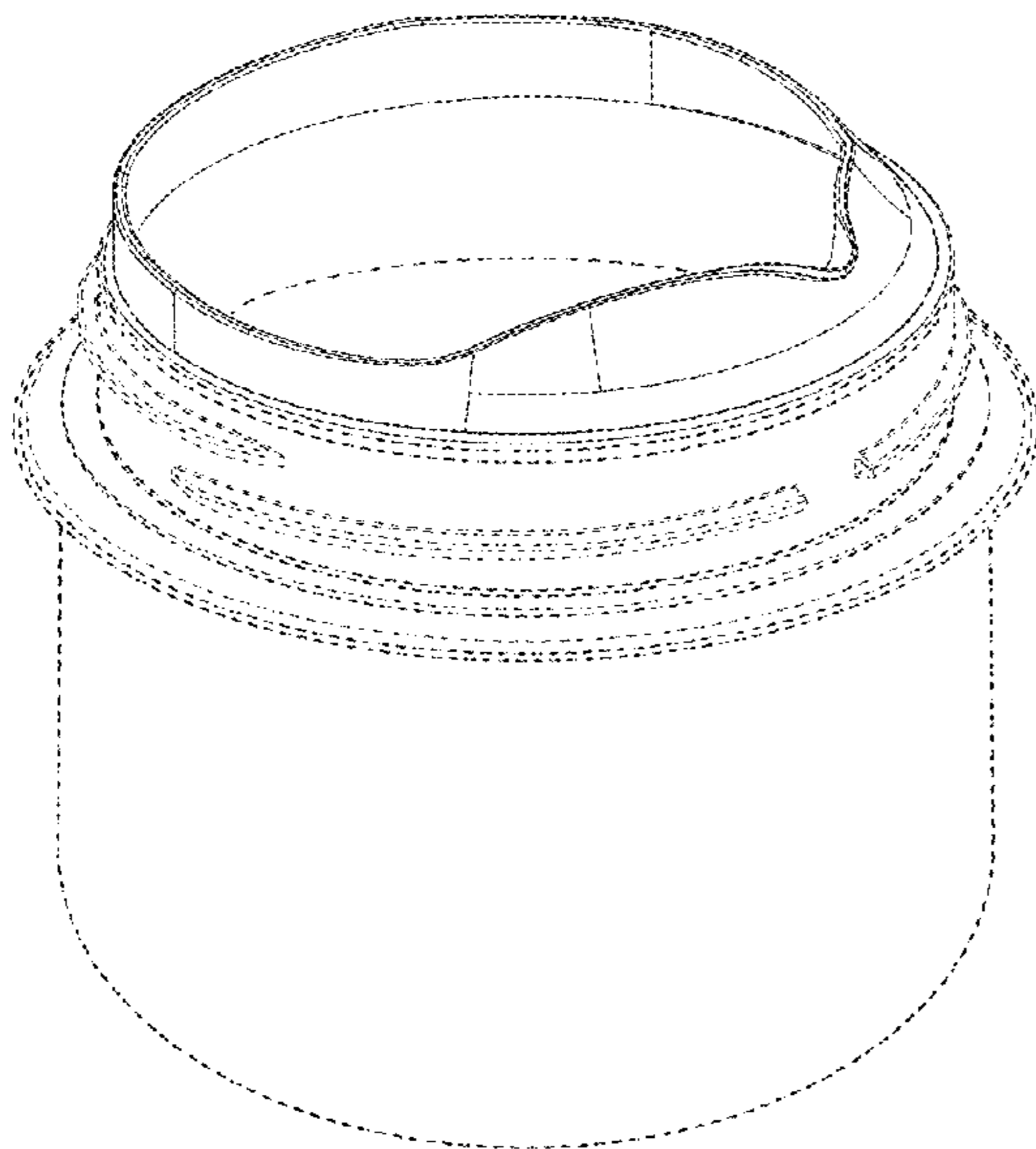
(57) **CLAIM**

The ornamental design for a pour spout, as shown and described.

**DESCRIPTION**

FIG. 1 is a perspective view of an embodiment of a pour spout;  
 FIG. 2 is an alternative perspective view of the pour spout of FIG. 1;  
 FIG. 3 is a rear view of the pour spout of FIG. 1;  
 FIG. 4 is a front view of the pour spout of FIG. 1;  
 FIG. 5 is a side view of the pour spout of FIG. 1;  
 FIG. 6 is a side view of the pour spout of FIG. 1, opposite the side view shown in FIG. 5;  
 FIG. 7 is a top view of the pour spout of FIG. 1;  
 FIG. 8 is a bottom view of the pour spout of FIG. 1;  
 FIG. 9 is a perspective view of an alternative embodiment of a pour spout;  
 FIG. 10 is an alternative perspective view of the pour spout of FIG. 9;  
 FIG. 11 is a rear view of the pour spout of FIG. 9;  
 FIG. 12 is a front view of the pour spout of FIG. 9;  
 FIG. 13 is a side view of the pour spout of FIG. 9;  
 FIG. 14 is a side view of the pour spout of FIG. 9, opposite the side view shown in FIG. 13;  
 FIG. 15 is a top view of the pour spout of FIG. 9; and,  
 FIG. 16 is a bottom view of the pour spout of FIG. 9.  
 The broken lines shown in the drawings depict environmental subject matter only and form no part of the claimed design.

**1 Claim, 8 Drawing Sheets**



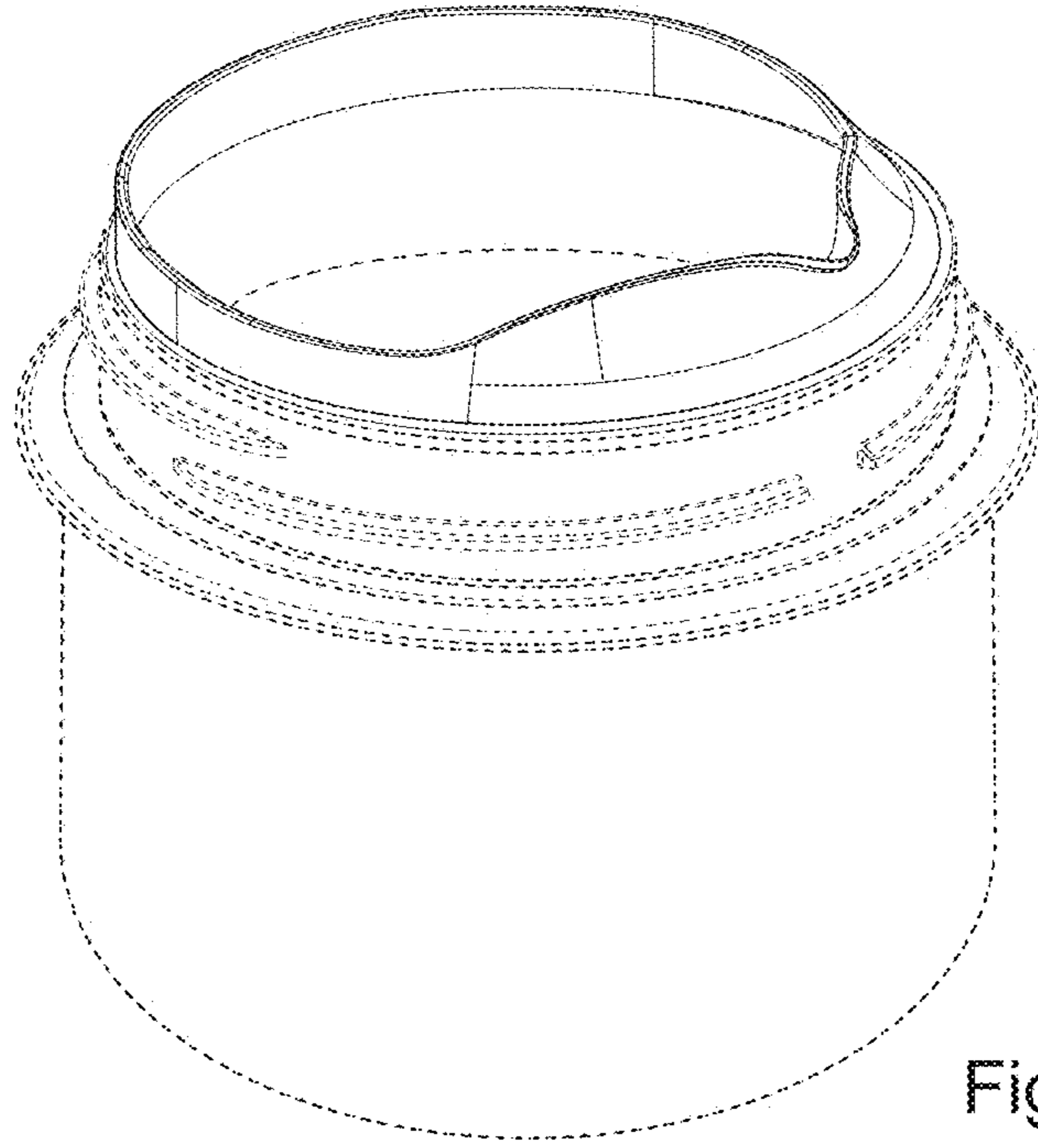


Fig. 1

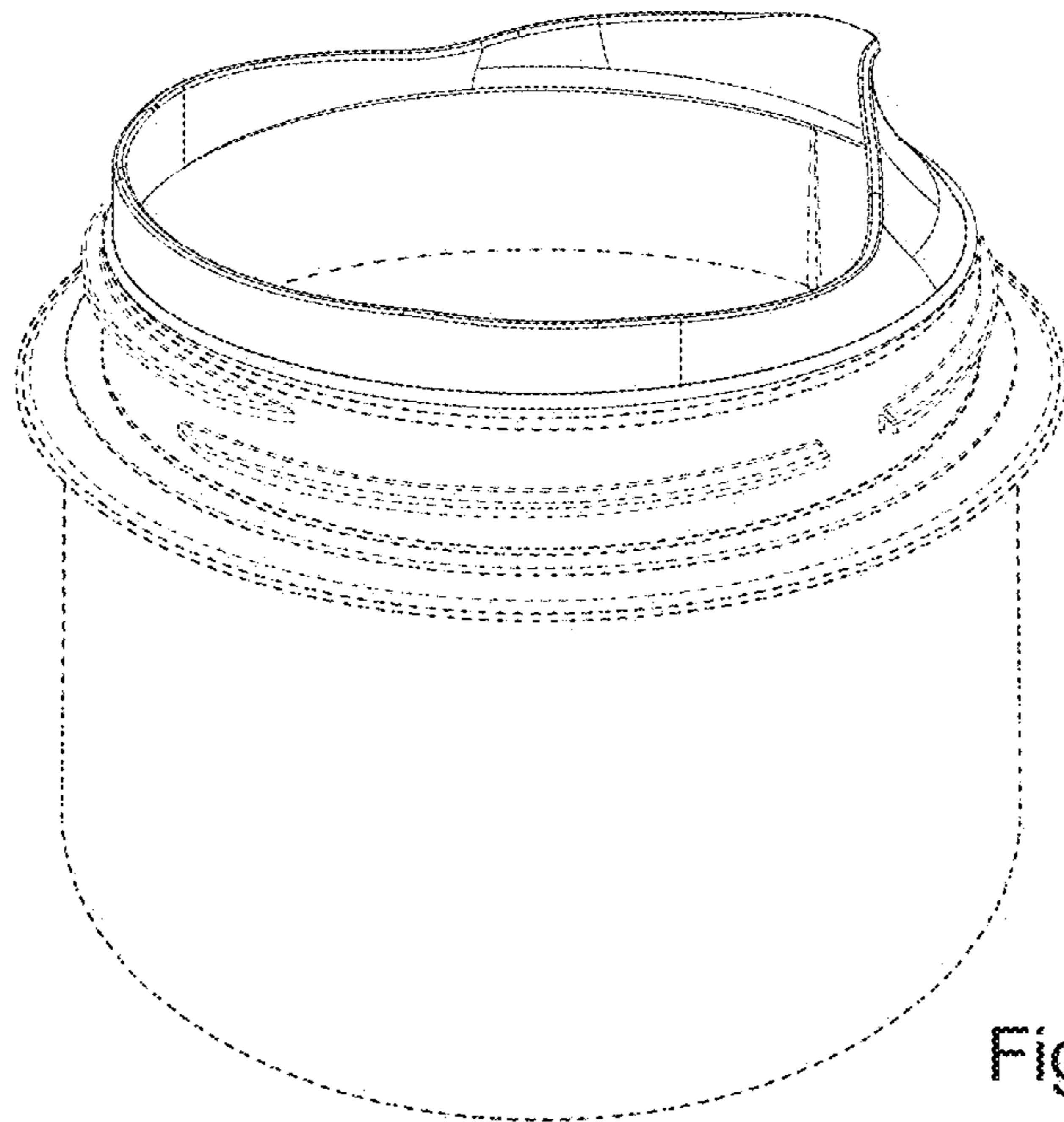


Fig. 2

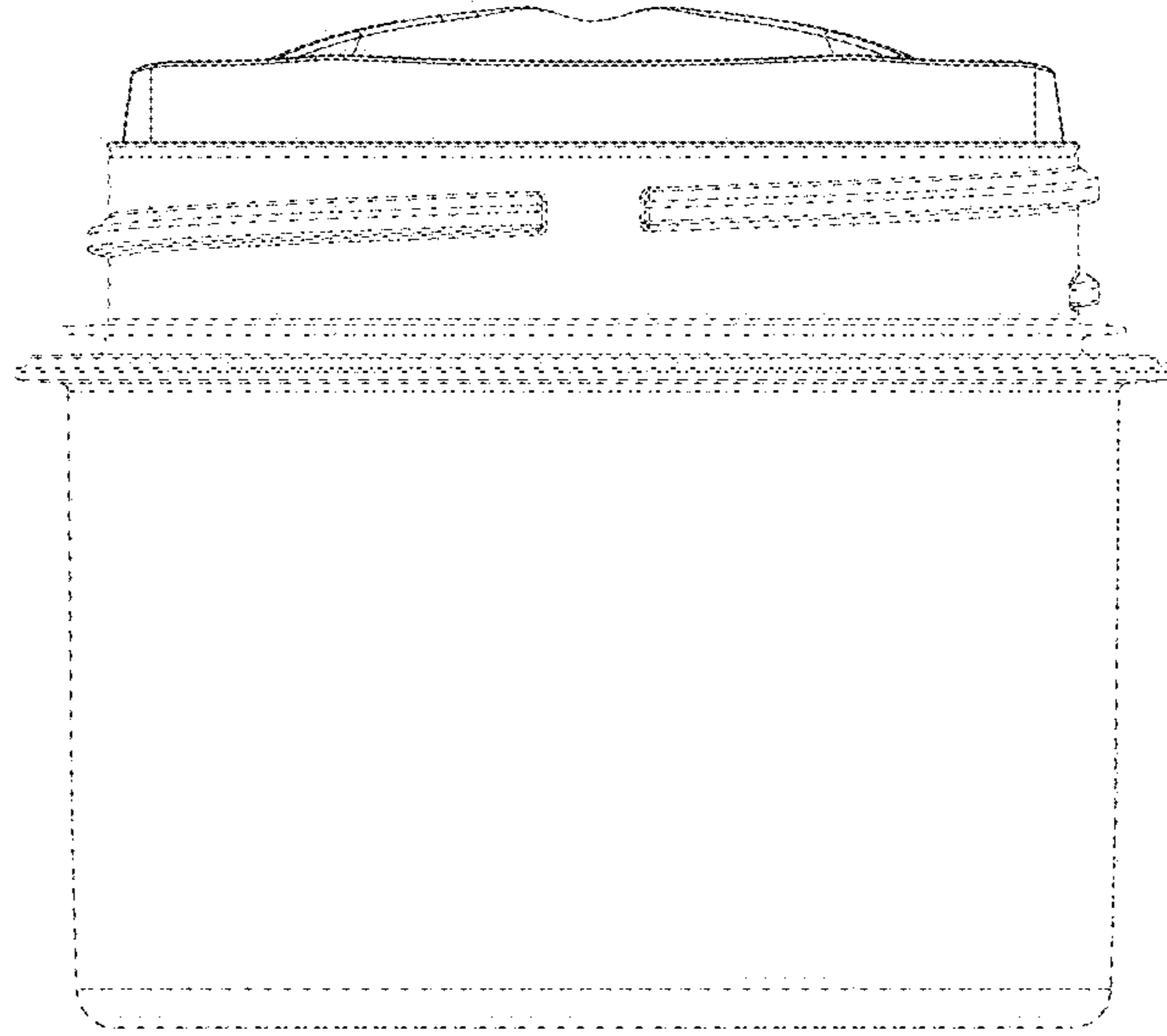


Fig. 3

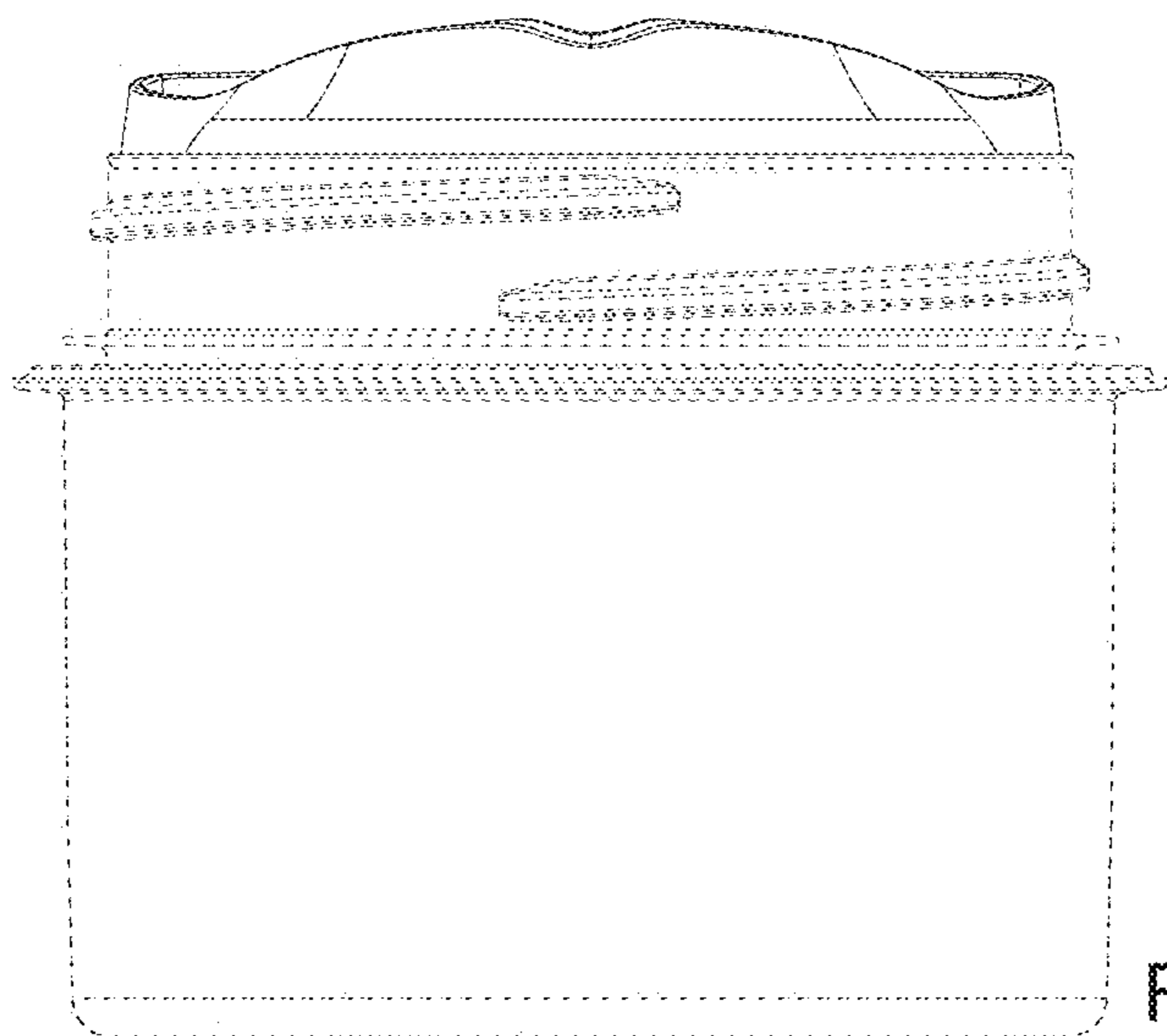


Fig. 4

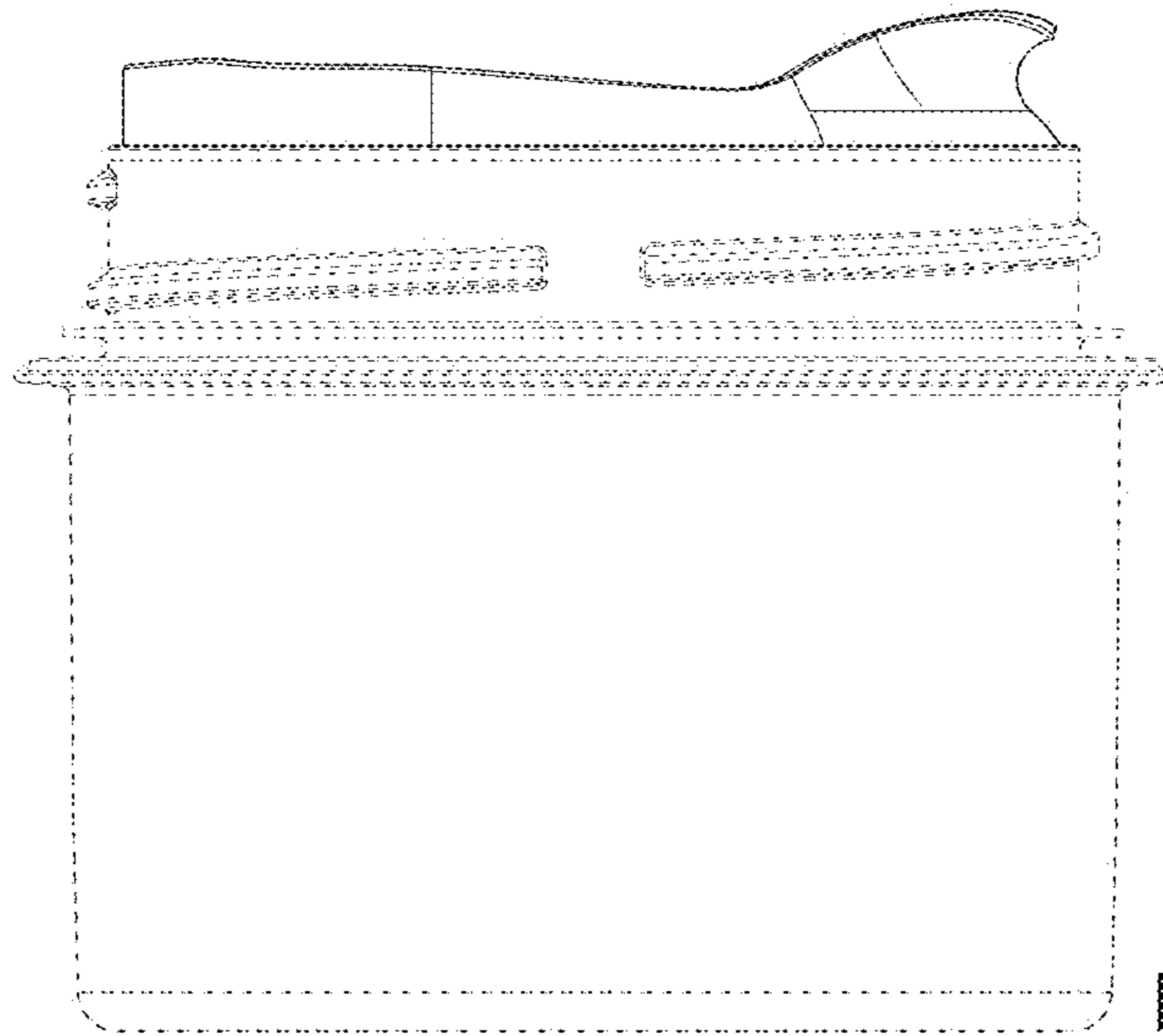


Fig. 5

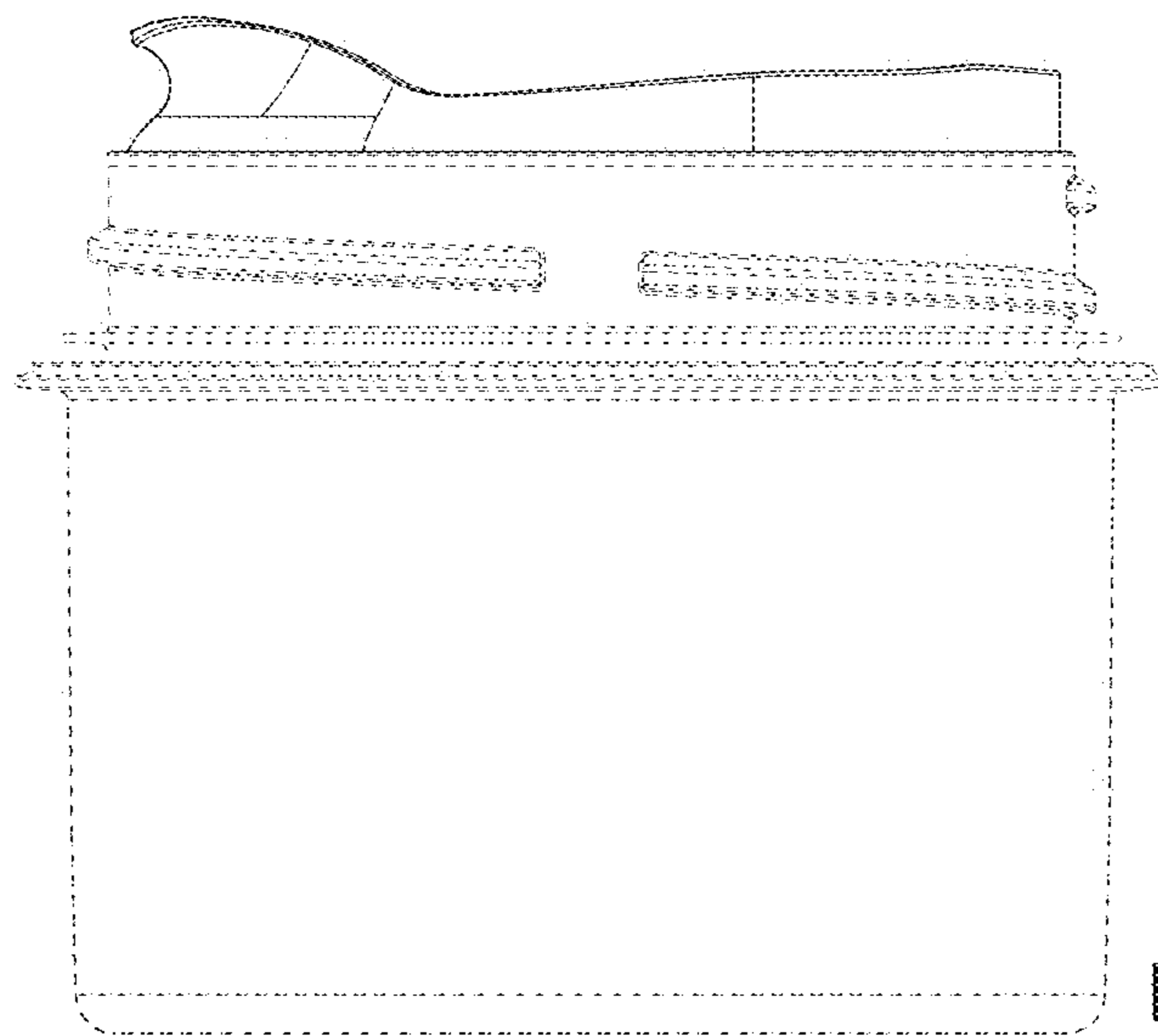


Fig. 6

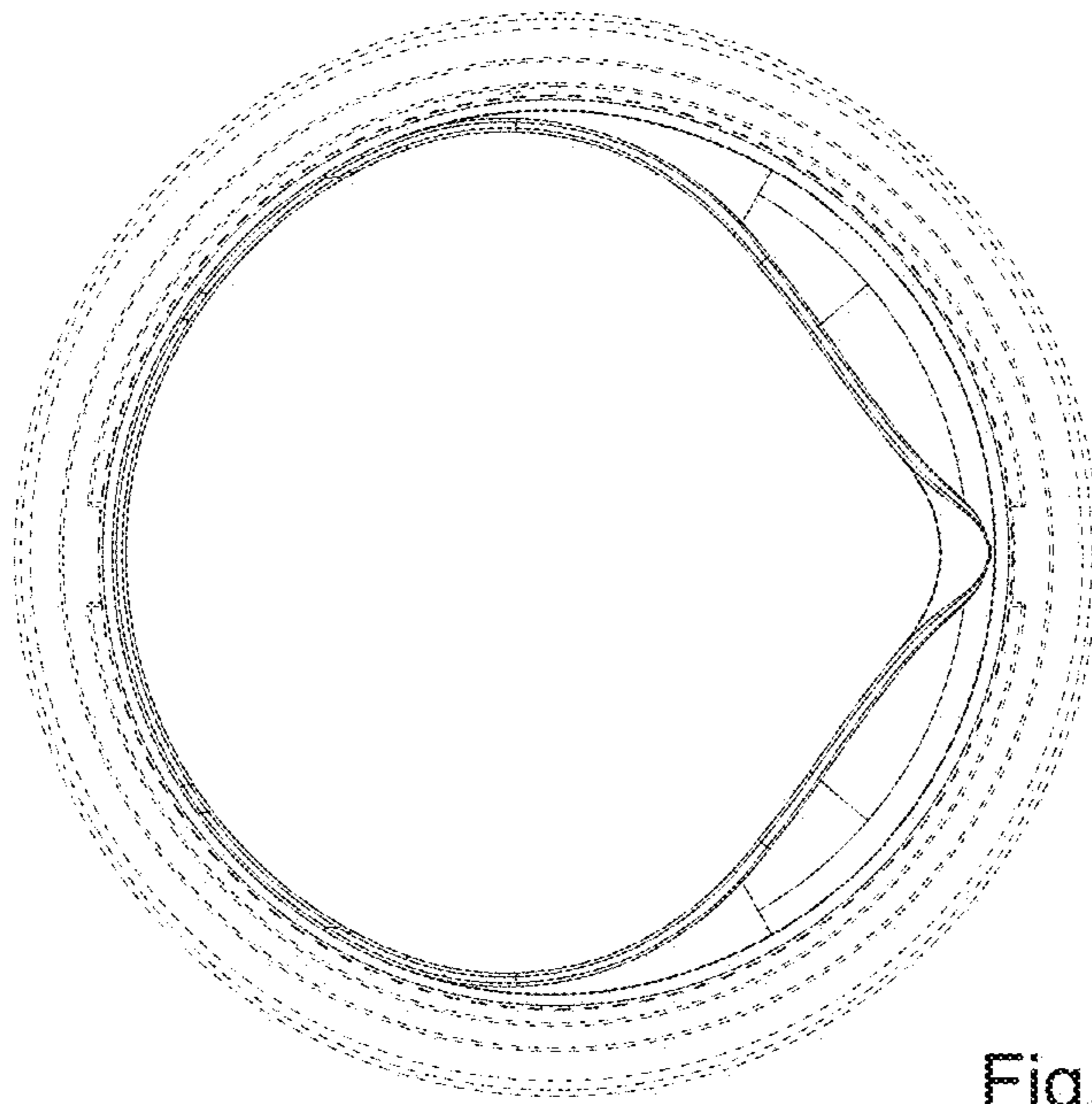


Fig. 7

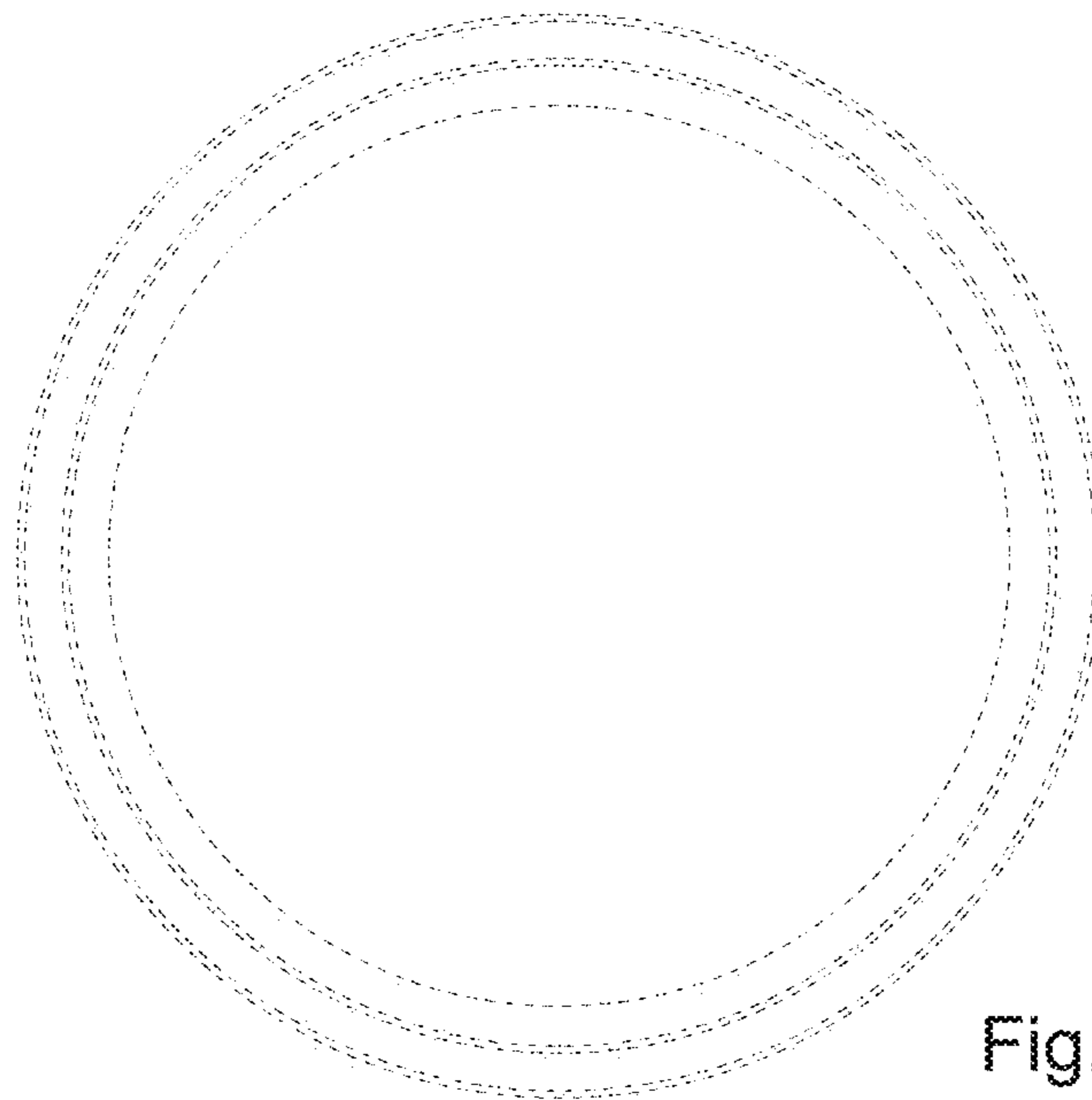


Fig. 8

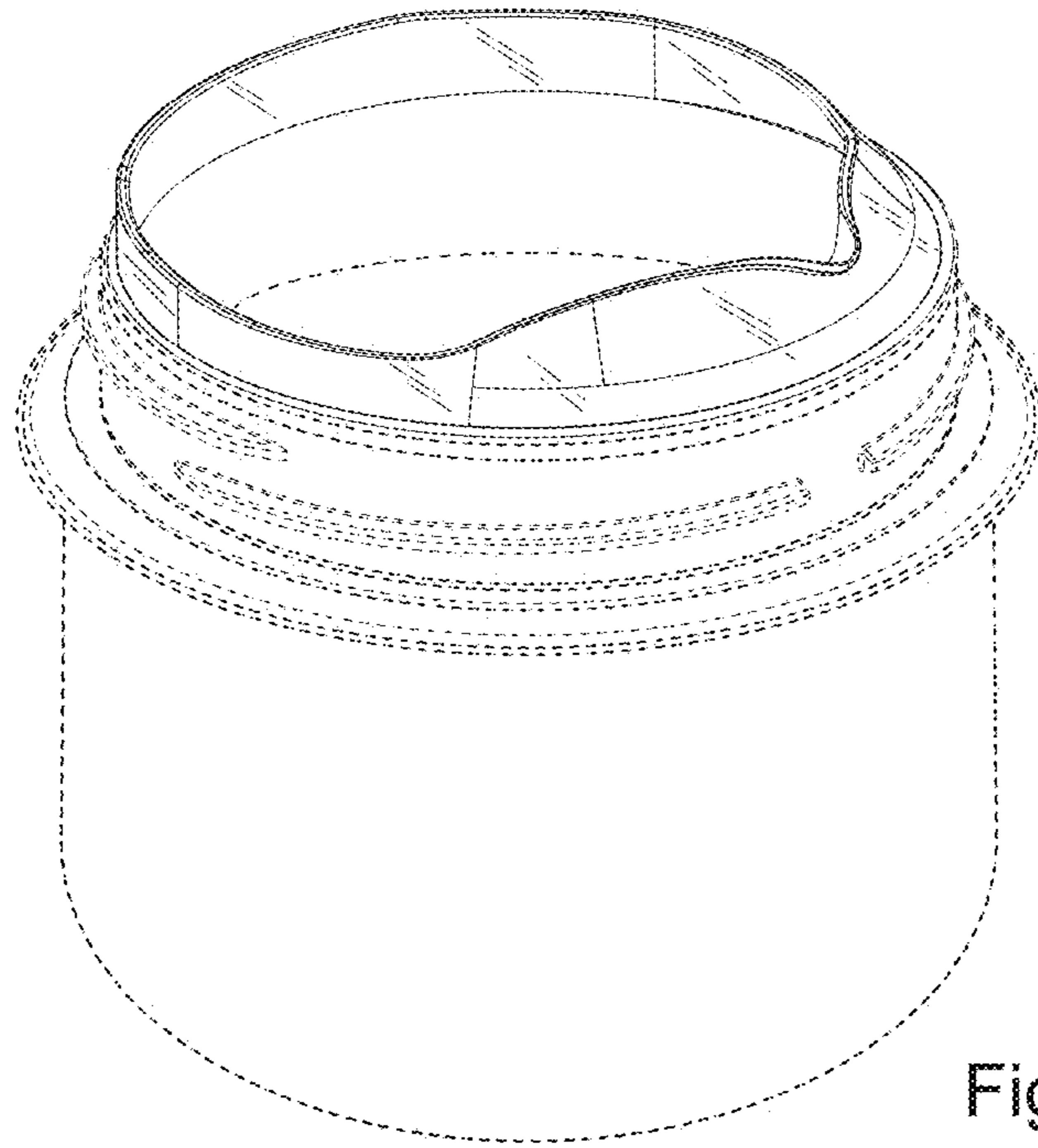


Fig. 9

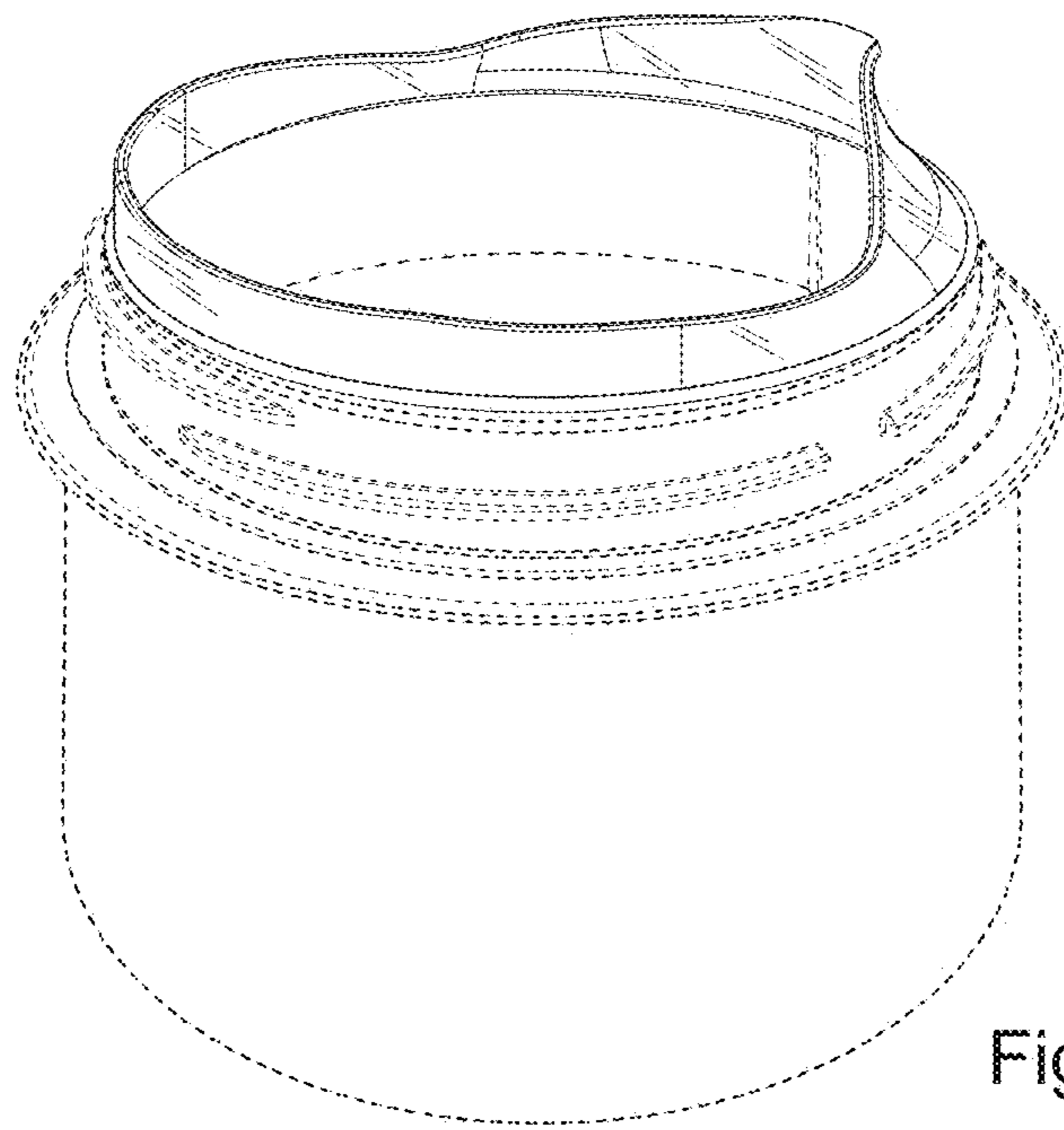


Fig. 10

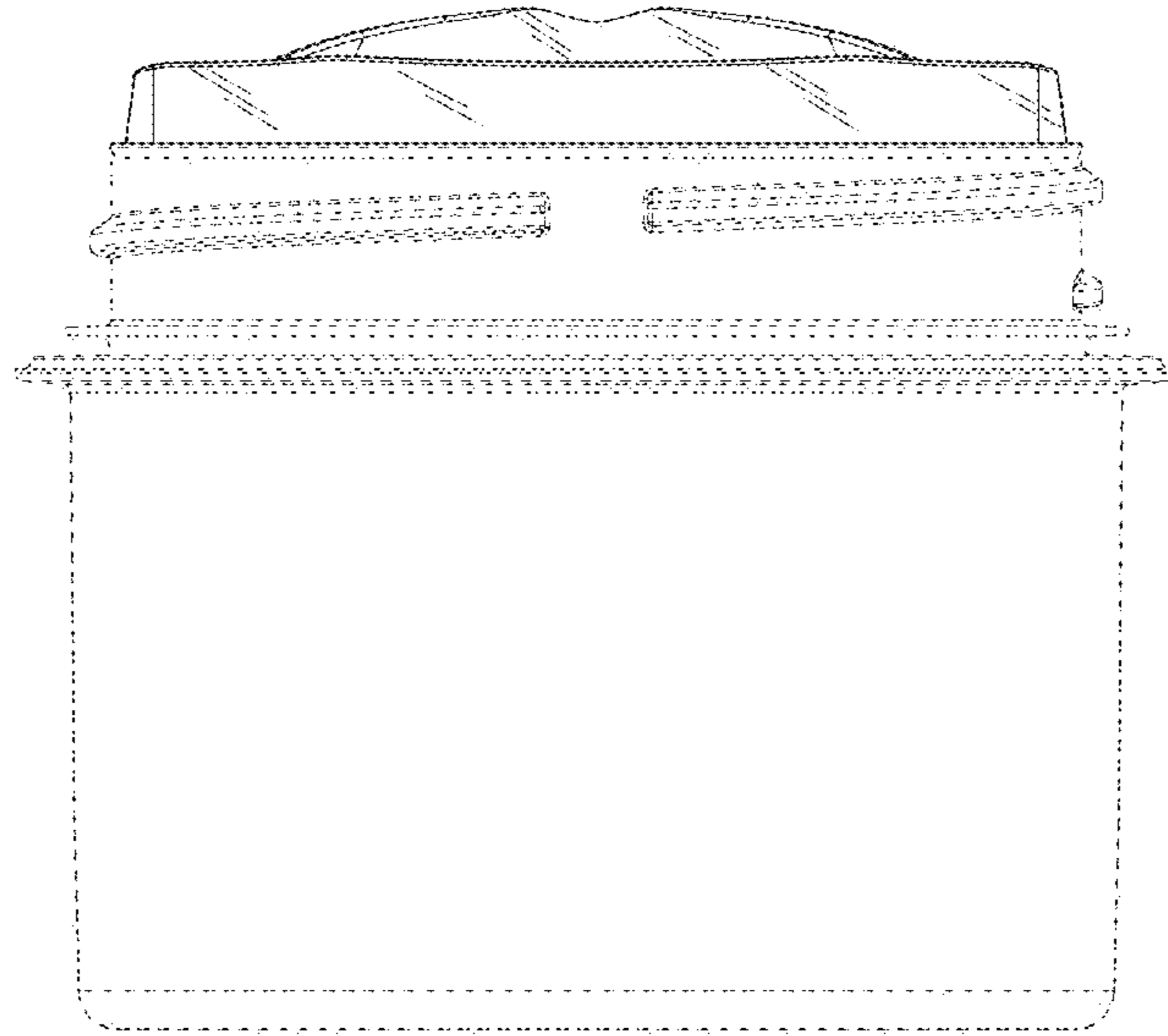


Fig. 11

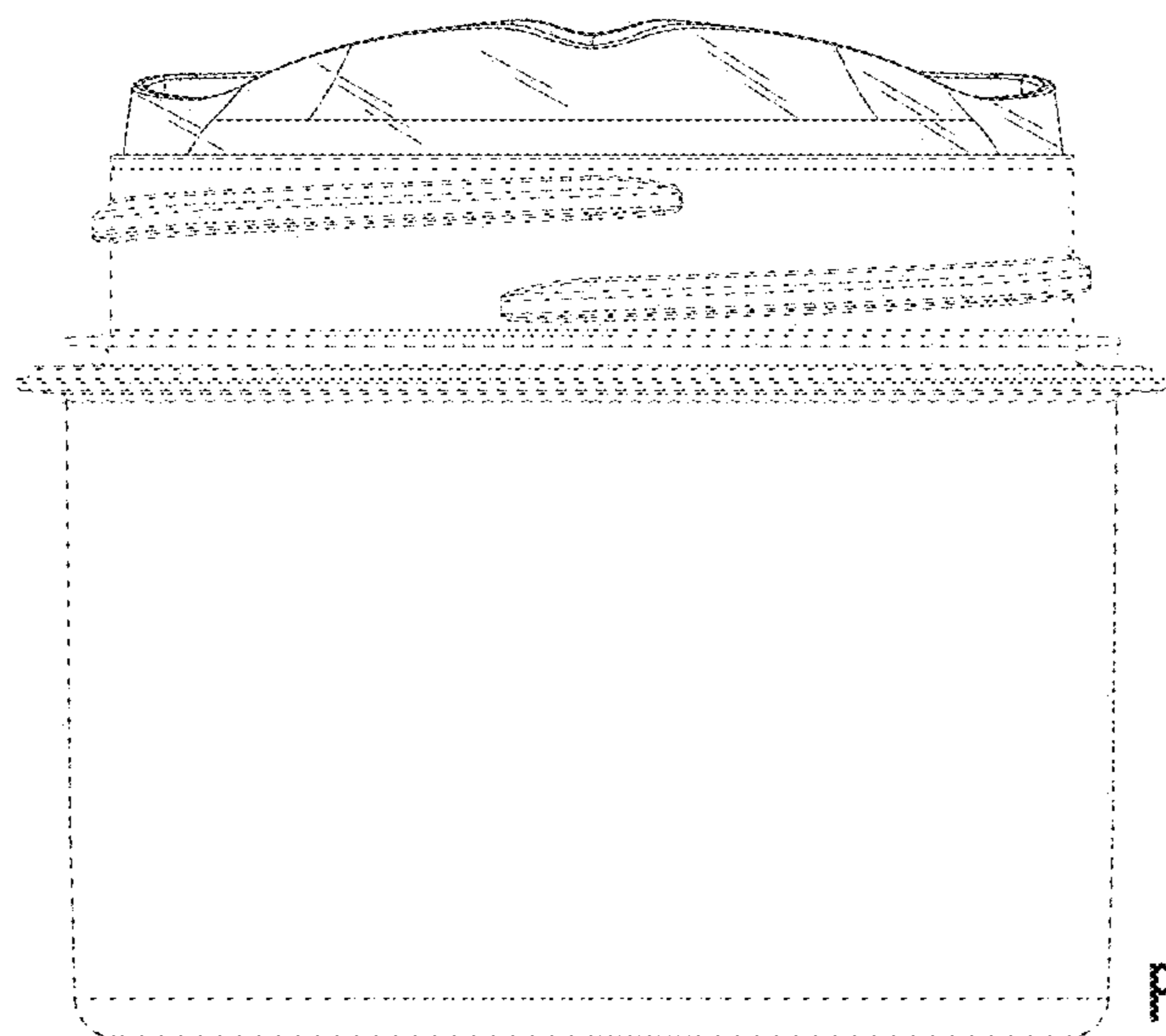


Fig. 12

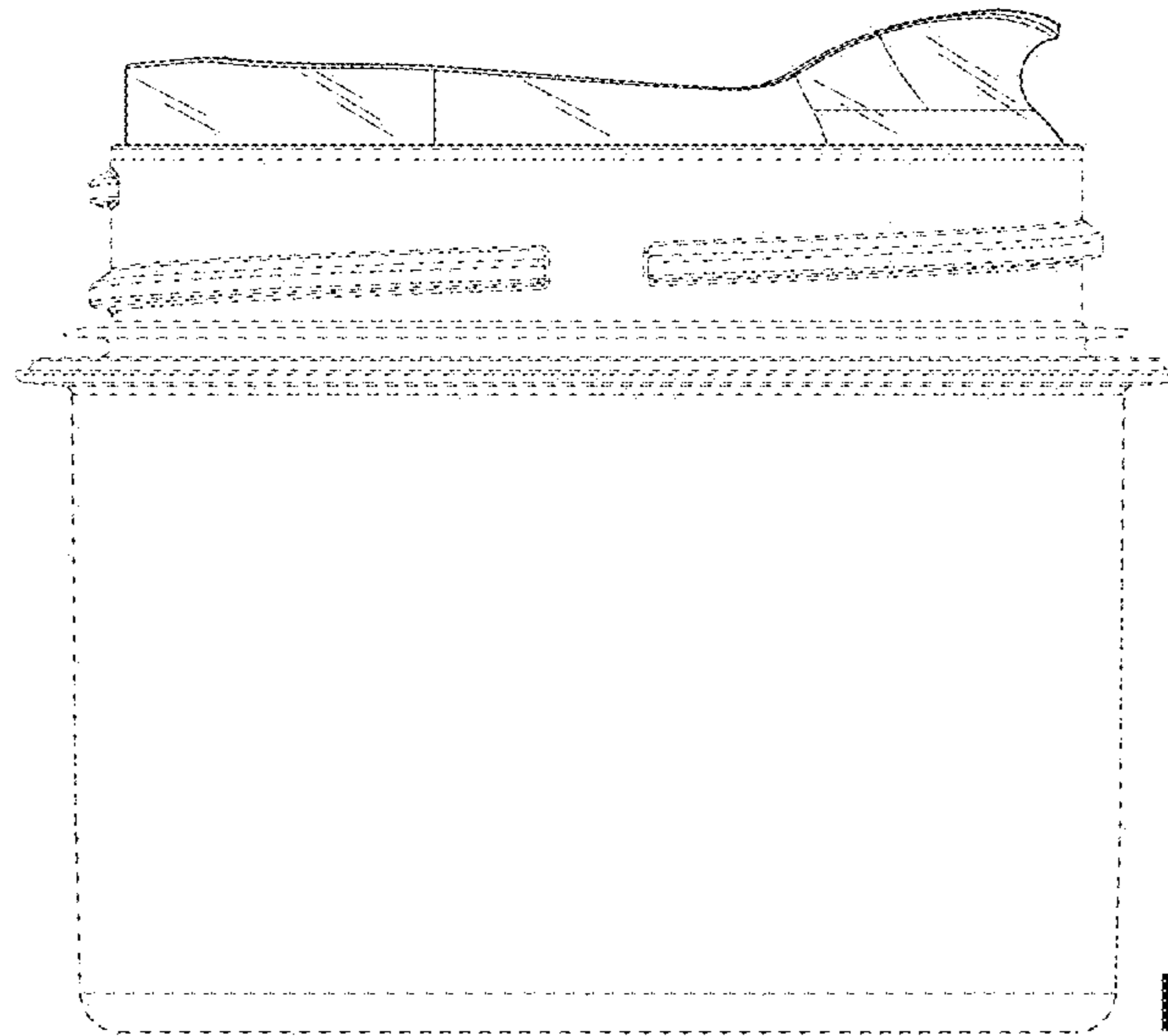


Fig. 13

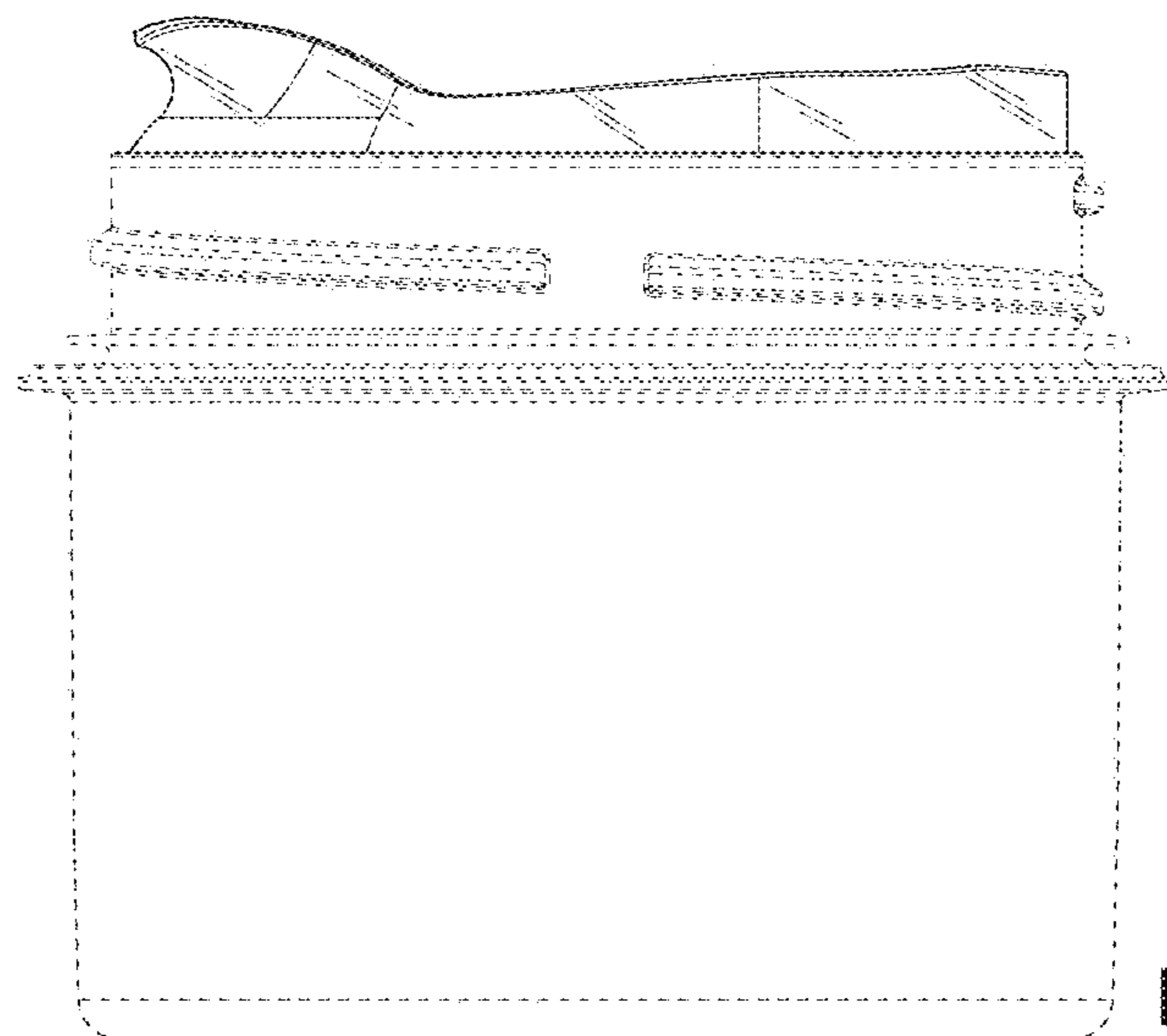


Fig. 14



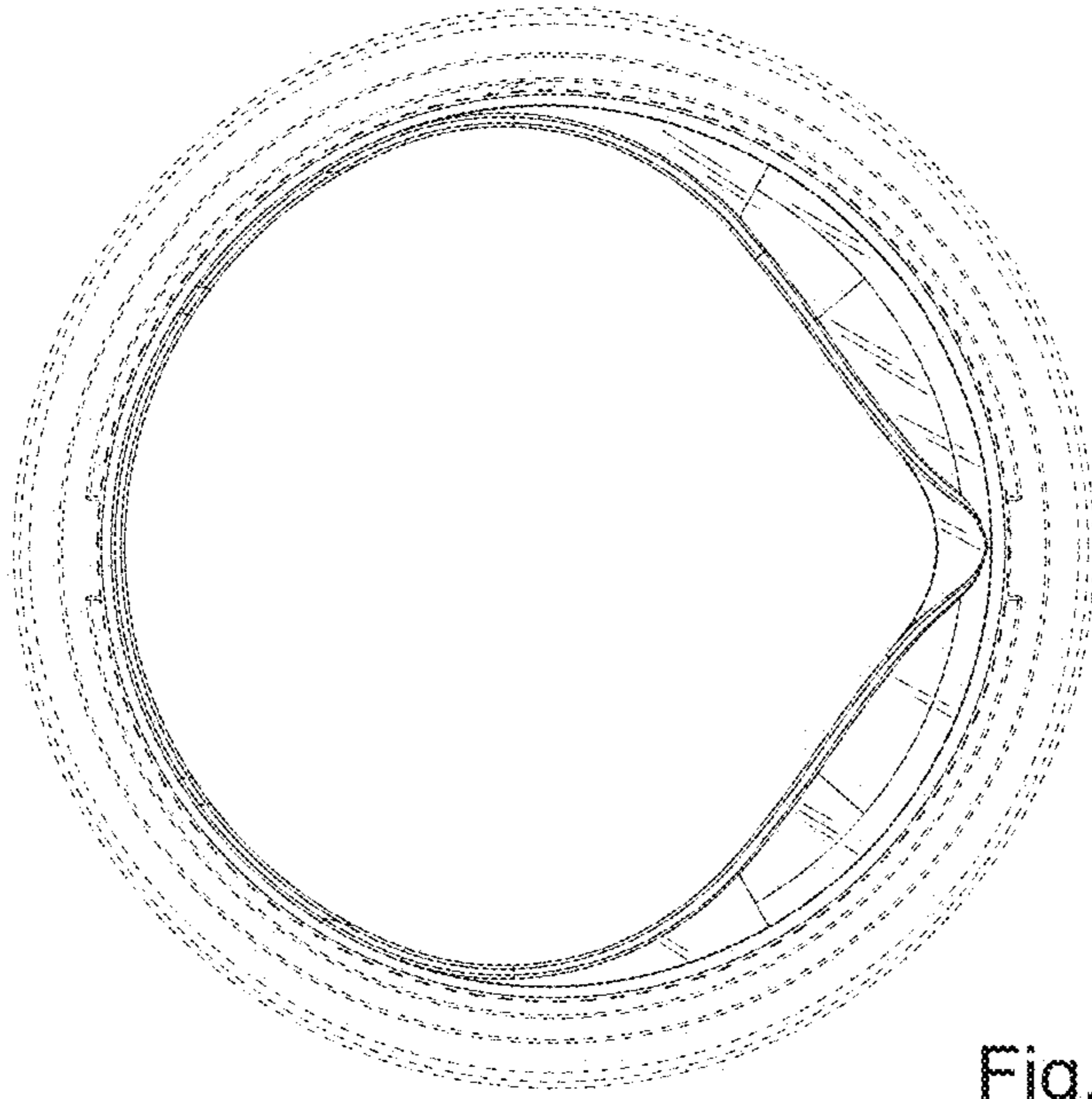


Fig. 15

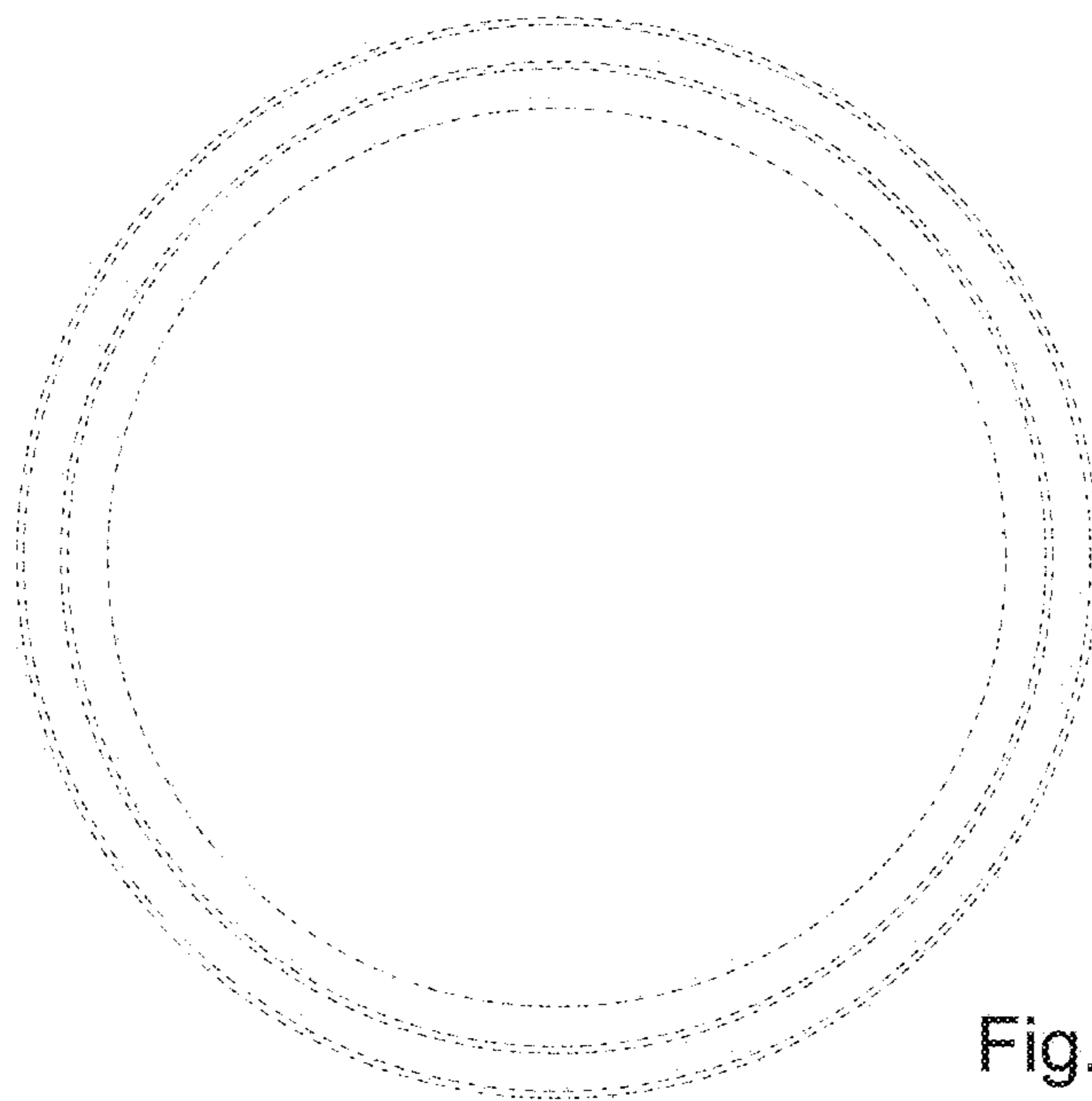


Fig. 16