



US00D697798S

(12) **United States Design Patent**
Sorensen et al.

(10) **Patent No.:** **US D697,798 S**
(45) **Date of Patent:** **** Jan. 21, 2014**

(54) **CONTAINER**

(71) Applicant: **Runway Blue, LLC**, Pleasant Grove, UT (US)

(72) Inventors: **Steven M. Sorensen**, Alpine, UT (US);
David O. Meyers, Kaysville, UT (US);
Kim L. Sorensen, Alpine, UT (US)

(73) Assignee: **Runway, Blue LLC**, Pleasant Grove, UT (US)

(**) Term: **14 Years**

(21) Appl. No.: **29/457,097**

(22) Filed: **Jun. 6, 2013**

(51) **LOC (10) Cl.** **09-03**

(52) **U.S. Cl.**
USPC **D9/429; D9/539**

(58) **Field of Classification Search**
USPC D9/428, 429, 516, 530, 533, 536, 537,
D9/539, 542, 543, 547, 553, 571, 574;
D7/602; D24/197, 224; 220/660, 662,
220/669; 215/381-385; D10/46, 46.2
See application file for complete search history.

(56) **References Cited**

U.S. PATENT DOCUMENTS

1,037,051 A	8/1912	Ramsey
1,094,469 A	4/1914	Pick
1,389,732 A	9/1921	Baron
1,479,053 A	1/1924	Brooks
1,573,620 A	2/1926	Allston
2,056,879 A	10/1936	Winterhalter et al.
2,272,867 A	2/1942	Cobel
2,514,573 A	7/1950	Harrison
2,573,378 A	10/1951	Zurlinden
2,574,876 A	11/1951	Lebus
2,575,299 A	11/1951	Scheel
2,638,253 A	5/1953	Mueller
2,748,997 A	6/1956	Richmond, Sr.

2,752,971 A	7/1956	Tupper
2,754,866 A	7/1956	Coltman
3,022,925 A	2/1962	Daniell
3,091,361 A	5/1963	Gawron
3,143,205 A	8/1964	Ruderian
3,144,016 A	8/1964	Basci
3,168,226 A	2/1965	Underwood
3,369,691 A	2/1968	Wei
3,552,548 A	1/1971	Wallestad et al.

(Continued)

FOREIGN PATENT DOCUMENTS

CN	201139196	10/2008
JP	2006103793 A	4/2004
JP	2008247404	10/2008

OTHER PUBLICATIONS

U.S. Appl. No. 12/762,292, filed Apr. 16, 2010, Meyers, et al.

(Continued)

Primary Examiner — Thomas Johannes

(74) *Attorney, Agent, or Firm* — Maschoff Brennan

(57) **CLAIM**

The ornamental design for a container, as shown and described.

DESCRIPTION

FIG. 1 is an upper perspective view of a container showing our new design;

FIG. 2 is a lower perspective view thereof;

FIG. 3 is a front view thereof;

FIG. 4 is a rear view thereof;

FIG. 5 is a left side view thereof;

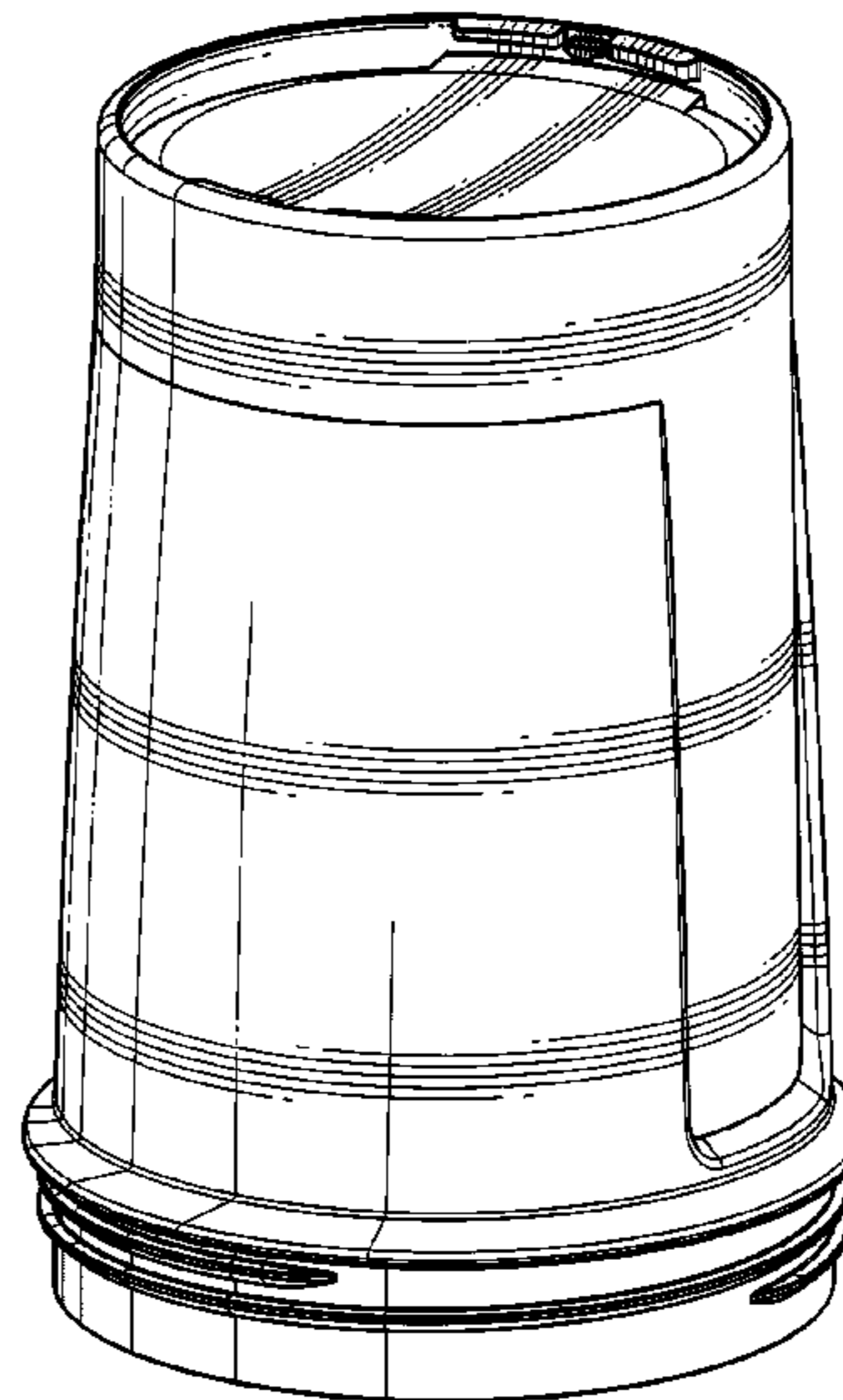
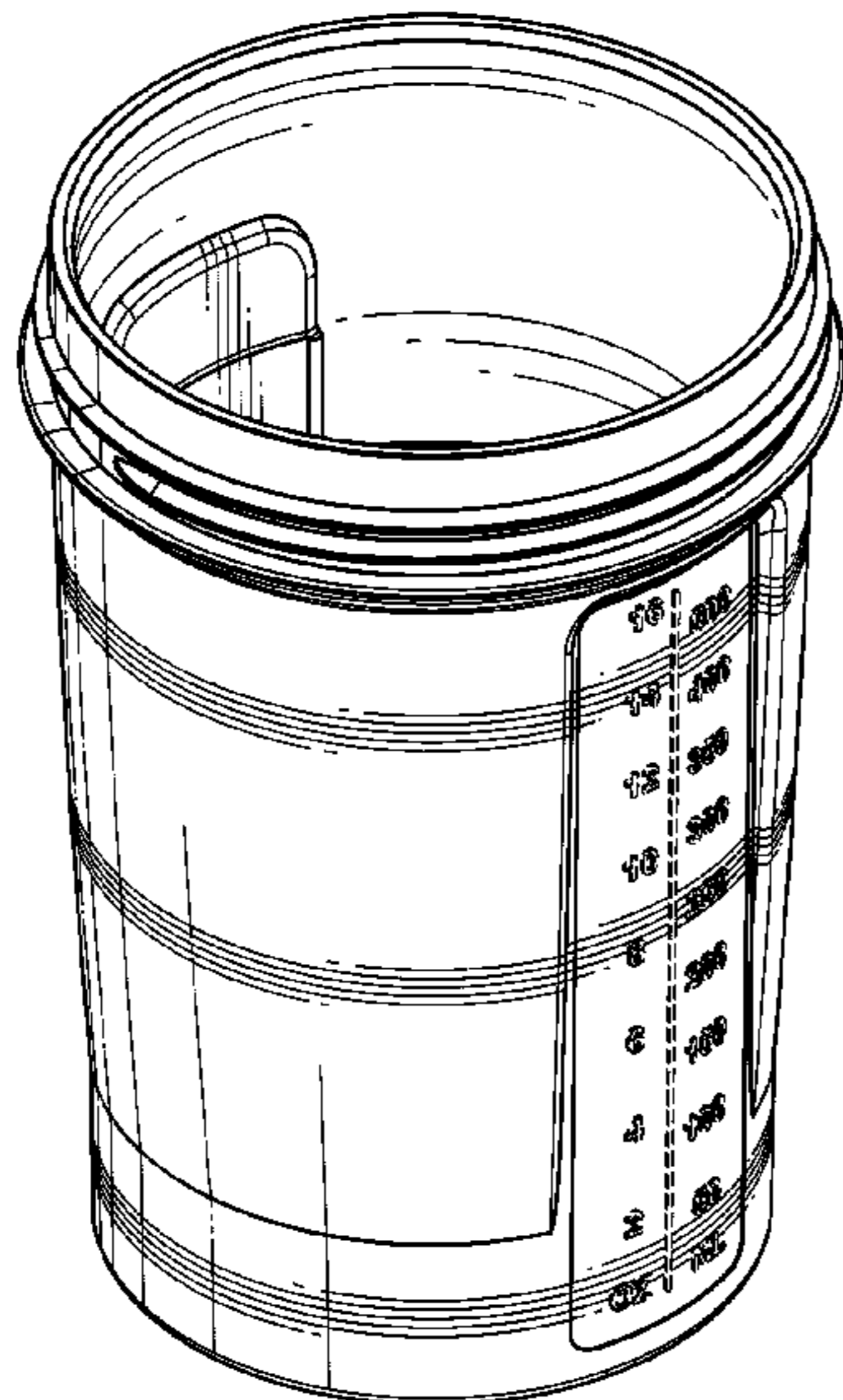
FIG. 6 is a right side view thereof;

FIG. 7 is a top view thereof; and,

FIG. 8 is a bottom view thereof.

The broken lines shown in the figures show unclaimed subject matter only and form no part of the claimed design.

1 Claim, 5 Drawing Sheets



(56)

References Cited

U.S. PATENT DOCUMENTS

3,770,160 A 11/1973 Flider
 3,820,692 A 6/1974 Swett et al.
 D233,116 S 10/1974 Swett et al.
 4,022,352 A 5/1977 Pehr
 4,136,799 A 1/1979 Albert
 4,158,902 A 6/1979 Chernack et al.
 D261,088 S 10/1981 Akimov et al.
 4,399,926 A 8/1983 Eidels-Dubovoy
 4,457,458 A 7/1984 Heinol
 4,474,303 A 10/1984 Maccise
 4,519,518 A 5/1985 Wiles et al.
 4,537,044 A 8/1985 Putnam
 4,735,333 A 4/1988 Lay et al.
 4,776,501 A 10/1988 Ostrowsky
 4,805,790 A 2/1989 Leonetti et al.
 4,932,225 A 6/1990 Bighouse
 5,064,911 A 11/1991 Sasaki et al.
 5,065,877 A 11/1991 Karppinen et al.
 5,088,614 A 2/1992 Dumestre
 D330,862 S 11/1992 Shibley et al.
 5,228,584 A 7/1993 Williams, Jr.
 D342,898 S 1/1994 Baschmackoff
 5,289,930 A 3/1994 Inouye
 D350,460 S 9/1994 Picozza et al.
 5,386,922 A 2/1995 Jordan
 D356,499 S 3/1995 Cautereels et al.
 5,547,111 A 8/1996 Geiger et al.
 5,609,277 A 3/1997 McDonald
 D382,968 S 8/1997 Giles et al.
 D404,305 S 1/1999 De Baschmakoff
 D405,654 S 2/1999 Moran
 5,896,990 A * 4/1999 Barzana 206/459.1
 D421,547 S 3/2000 Demers
 D433,337 S * 11/2000 Cautereels D9/539
 6,161,713 A 12/2000 Krich
 6,283,333 B1 9/2001 Knickerbocker et al.
 6,299,005 B1 10/2001 Higgins
 6,379,032 B1 4/2002 Sorensen
 D458,081 S 6/2002 Bodum
 D461,420 S 8/2002 Kerman
 D497,431 S 10/2004 Bentley
 6,832,412 B2 12/2004 Kim
 6,860,397 B1 3/2005 Walters, Jr.
 D504,273 S 4/2005 Ancona
 D508,185 S 8/2005 Gauss
 D508,187 S * 8/2005 Dais et al. D7/602
 D510,235 S 10/2005 Sorensen
 D518,336 S 4/2006 Hirani
 7,073,678 B1 7/2006 Dibdin et al.
 D526,827 S 8/2006 Allen et al.
 D528,862 S 9/2006 Li
 D529,339 S 10/2006 Carreno et al.
 D532,312 S * 11/2006 Conway et al. D9/538
 D532,650 S 11/2006 de Groote
 D543,454 S 5/2007 Leoncavallo et al.
 D546,131 S 7/2007 Morales
 D547,607 S 7/2007 Forsman
 D565,353 S 4/2008 Roth et al.
 D574,190 S 8/2008 Homma
 D580,227 S 11/2008 Roth et al.
 D584,569 S * 1/2009 Buchman et al. D7/602
 D584,925 S * 1/2009 Buchman et al. D7/602
 D586,184 S 2/2009 Miller et al.
 D587,069 S 2/2009 Bodum
 D589,751 S 4/2009 Liu et al.
 D592,913 S 5/2009 Pinelli et al.
 7,533,783 B2 5/2009 Choi et al.
 D593,811 S 6/2009 Carreno
 D599,664 S 9/2009 Fujinami et al.
 D602,369 S * 10/2009 Potts et al. D9/547
 D604,103 S 11/2009 Alviar et al.
 D609,970 S 2/2010 Richau et al.
 D613,110 S 4/2010 Lane et al.
 D622,089 S 8/2010 Daniel et al.
 D622,554 S 8/2010 Carreno

7,806,284 B2 10/2010 Mangano
 D626,837 S 11/2010 Meyers et al.
 D626,838 S 11/2010 Meyers et al.
 D628,483 S 12/2010 McKinney et al.
 D629,657 S 12/2010 Carreno
 7,870,980 B2 1/2011 Wilson et al.
 D641,594 S 7/2011 Huang
 D644,065 S 8/2011 Llerena
 8,020,257 B2 9/2011 Merten et al.
 D646,546 S 10/2011 Robinson et al.
 D646,919 S 10/2011 Nilsson
 D647,760 S 11/2011 Pearson
 D652,256 S 1/2012 Eyal
 D655,131 S 3/2012 Nilsson
 D655,967 S 3/2012 Bodum
 D656,357 S 3/2012 Enghard
 D661,551 S 6/2012 Gilbert
 D666,047 S 8/2012 Lin
 D666,061 S 8/2012 Ying
 D667,694 S 9/2012 Meyers et al.
 8,302,796 B1 11/2012 Johnson
 D672,618 S * 12/2012 Stamper et al. D7/602
 8,342,349 B2 1/2013 Lu
 D677,121 S 3/2013 Meyers et al.
 D682,701 S * 5/2013 Stephan et al. D9/539
 D686,885 S 7/2013 Meyers et al.
 D686,886 S 7/2013 Meyers et al.
 D686,887 S 7/2013 Meyers et al.
 D686,888 S 7/2013 Meyers et al.
 2002/0074334 A1 6/2002 Karp
 2002/0130126 A1 * 9/2002 Rosenberg 220/4.26
 2003/0085228 A1 5/2003 Oakes
 2004/0217139 A1 11/2004 Roth et al.
 2004/0262306 A1 12/2004 Smith
 2005/0045634 A1 3/2005 Ward et al.
 2005/0045636 A1 3/2005 Lown et al.
 2007/0012693 A1 1/2007 Kummer
 2007/0175931 A1 8/2007 Leoncavallo et al.
 2008/0099514 A1 5/2008 Carter et al.
 2009/0178940 A1 7/2009 Said
 2009/0188884 A1 7/2009 Nelson et al.
 2009/0188933 A1 7/2009 Daams
 2009/0301990 A1 12/2009 Cresswell et al.
 2010/0200438 A1 8/2010 Davies
 2010/0206835 A1 8/2010 Yu
 2010/0224631 A1 9/2010 Roth et al.
 2010/0282703 A1 11/2010 Yang
 2011/0017760 A1 1/2011 Newman
 2011/0253733 A1 10/2011 Meyers et al.

OTHER PUBLICATIONS

U.S. Appl. No. 13/232,891, filed Sep. 14, 2011, Meyers, et al.
 U.S. Appl. No. 13/232,935, filed Sep. 14, 2011, Meyers, et al.
 U.S. Appl. No. 29/430,882, filed Aug. 30, 2012, Meyers, et al.
 U.S. Appl. No. 29/431,544, filed Sep. 7, 2012, Meyers, et al.
 U.S. Appl. No. 13/609,238, filed Sep. 10, 2012, Meyers, et al.
 U.S. Appl. No. 13/610,445, filed Sep. 11, 2012, Meyers, et al.
 U.S. Appl. 13/633,864, filed Oct. 2, 2012, Meyers, et al.
 U.S. Appl. No. 29/457,096, filed Jun. 6, 2013, Sorensen, et al.
 U.S. Appl. No. 61/832,085, Jun. 6, 2013, Sorensen, et al.
 Kor One, <http://www.korwater.com/buyONE>, accessed Apr. 21, 2010.
 Core 77, <http://www.core77.com/blog/materials/kor.sub.—one.sub.—water.sub.—vessel.sub.—actual.sub.—size.sub.—10211.asp>, accessed Apr. 21, 2010.
 Koyono, <http://www.koyono.com/KOR-ONE-Green-Zen-Water-Hydration-Vessel.sub.—p/kor-one.htm>, accessed Apr. 21, 2010.
 Fit Sugar, www.fitsugar.com/2496788, accessed Apr. 21, 2010.
 Thermos, <http://www.shopthermos.com/detail/TMS+HP4000GR6>, accessed Apr. 21, 2010.
 Goodlifter, <http://www.goodlifter.com/2009/02/360-paper-water-bottle/>, accessed Apr. 21, 2010.
 Notice of Allowance from U.S. Appl. No. 29/430,882 dated Aug. 5, 2013.
 Advisory Action from U.S. Appl. No. 12/762,292 dated May 24, 2013.

(56)

References Cited

OTHER PUBLICATIONS

Office Action from U.S. Appl. No. 12/762,292 dated Jul. 1, 2013.
Office Action from U.S. Appl. No. 12/762,292 dated Oct. 2, 2012.
Office Action from U.S. Appl. No. 12/762,292 dated Jul. 17, 2012.
Office Action from U.S. Appl. No. 12/762,292 dated Feb. 10, 2012.
Notice of Allowance from U.S. Appl. No. 29/431,544 dated Aug. 14, 2013.
Office Action from U.S. Appl. No. 29/431,544 dated Mar. 25, 2013.
Office Action from U.S. Appl. No. 13/610,445 dated Mar. 29, 2013.
Office Action from U.S. Appl. No. 13/633,864 dated Mar. 29, 2013.
Office Action from U.S. Appl. No. 13/232,891 dated Jul. 19, 2013.
Office Action from U.S. Appl. No. 13/609,238 dated May 30, 2013.

International Search Report from PCT Application No. PCT/US2011/026508 dated Sep. 29, 2011.

Written Opinion from PCT Application No. PCT/US2011/026508 dated Sep. 29, 2011.

International Preliminary Report on Patentability from PCT Application No. PCT/US2011/026508 dated Oct. 16, 2012.

International Search Report from PCT Application No. PCT/US2012/054483 dated Nov. 16, 2012.

International Search Report and Written Opinion from PCT Application No. PCT/US2012/054497 dated Nov. 20, 2012.

International Search Report and Written Opinion from PCT Application No. PCT/US2013/052132 dated Aug. 16, 2013.

* cited by examiner

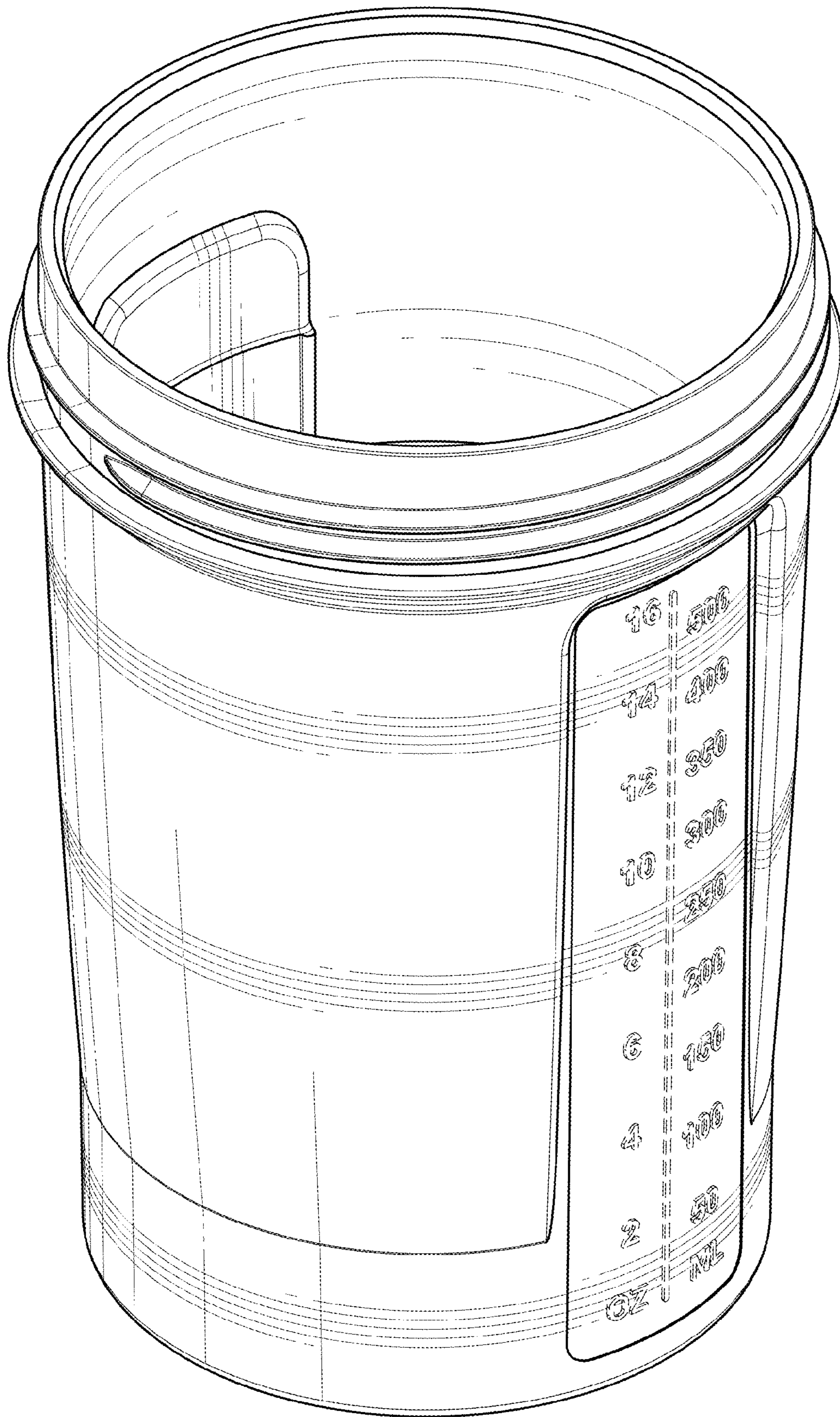


Fig. 1

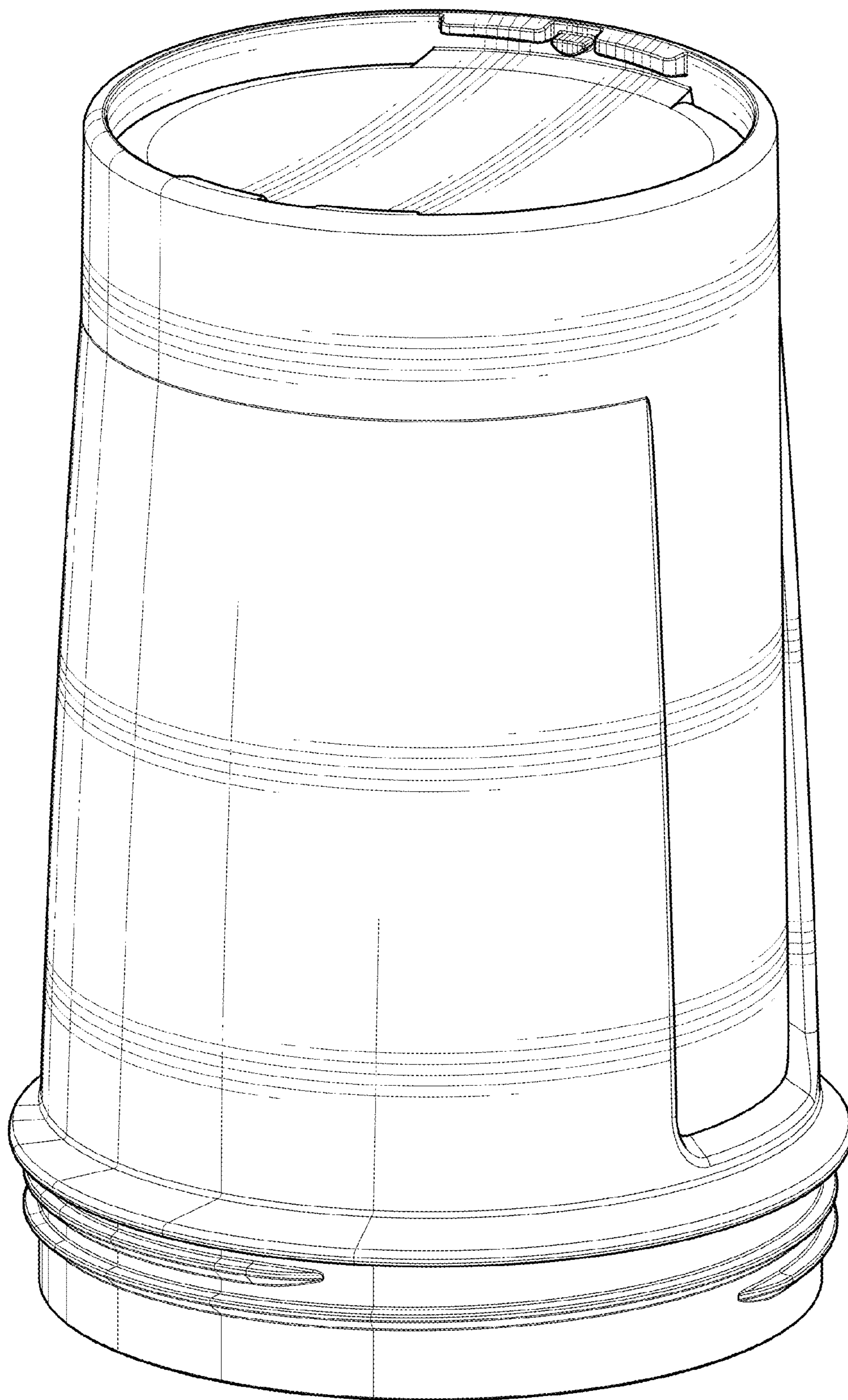


Fig. 2

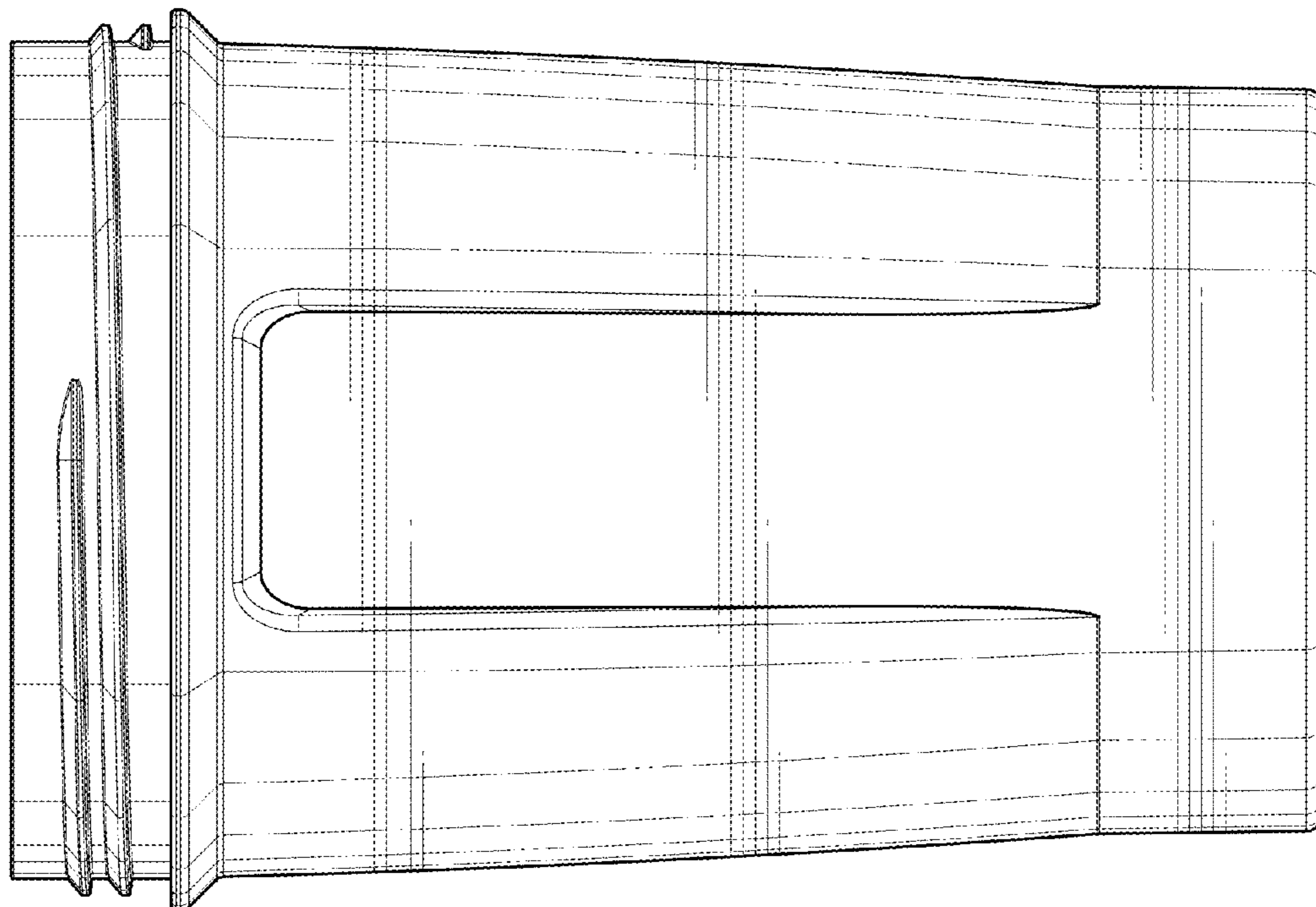


Fig. 4

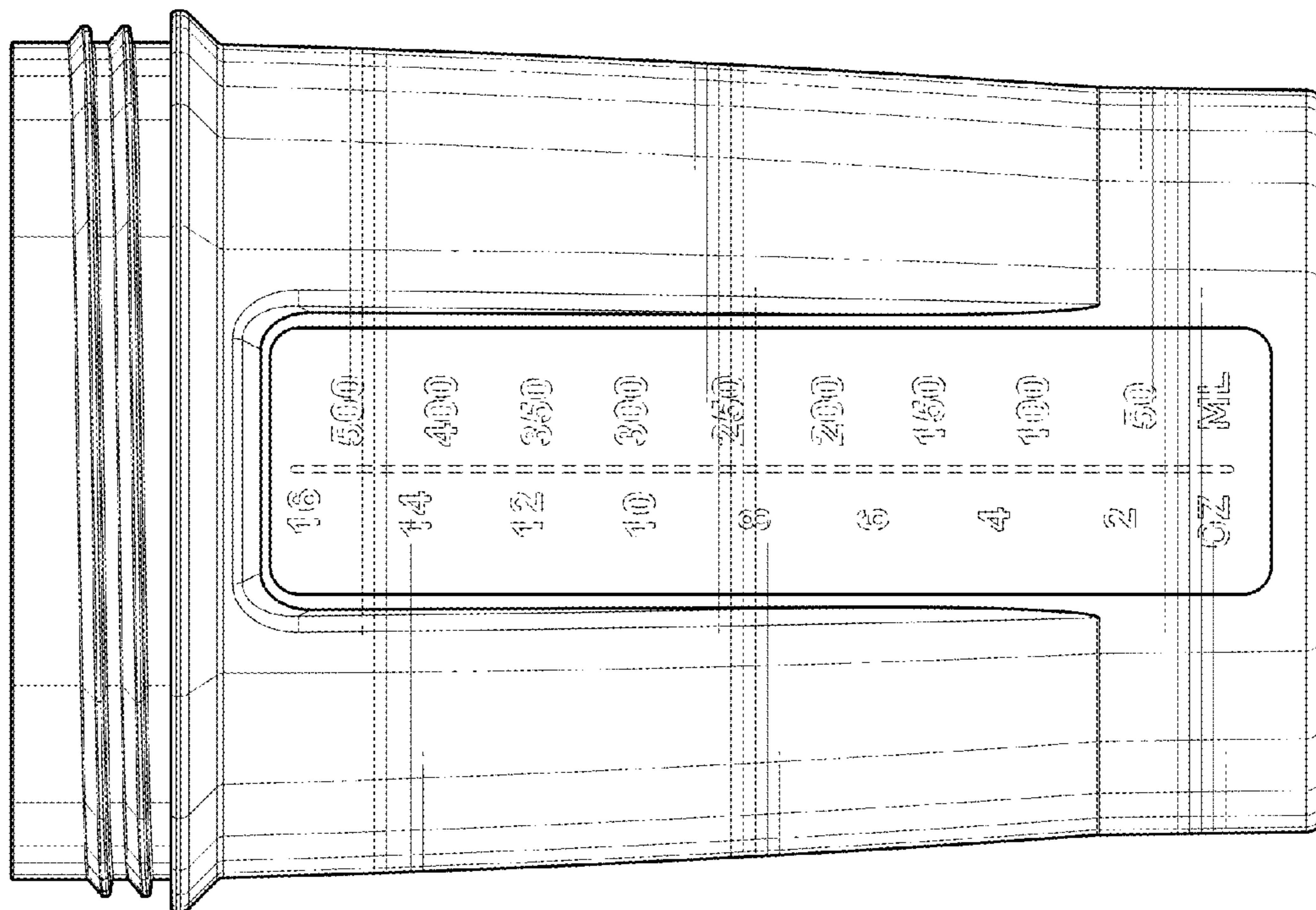


Fig. 3

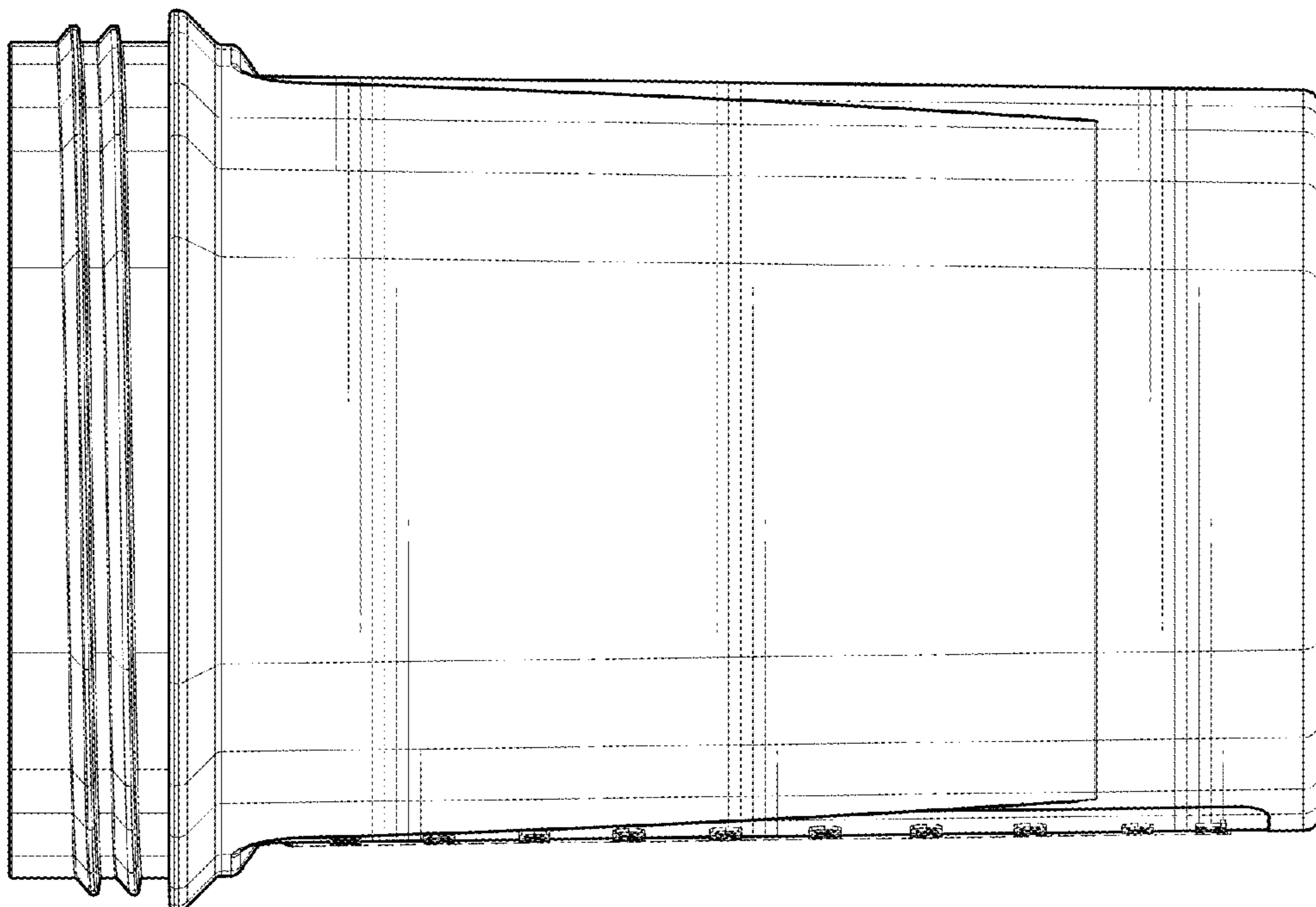


Fig. 6

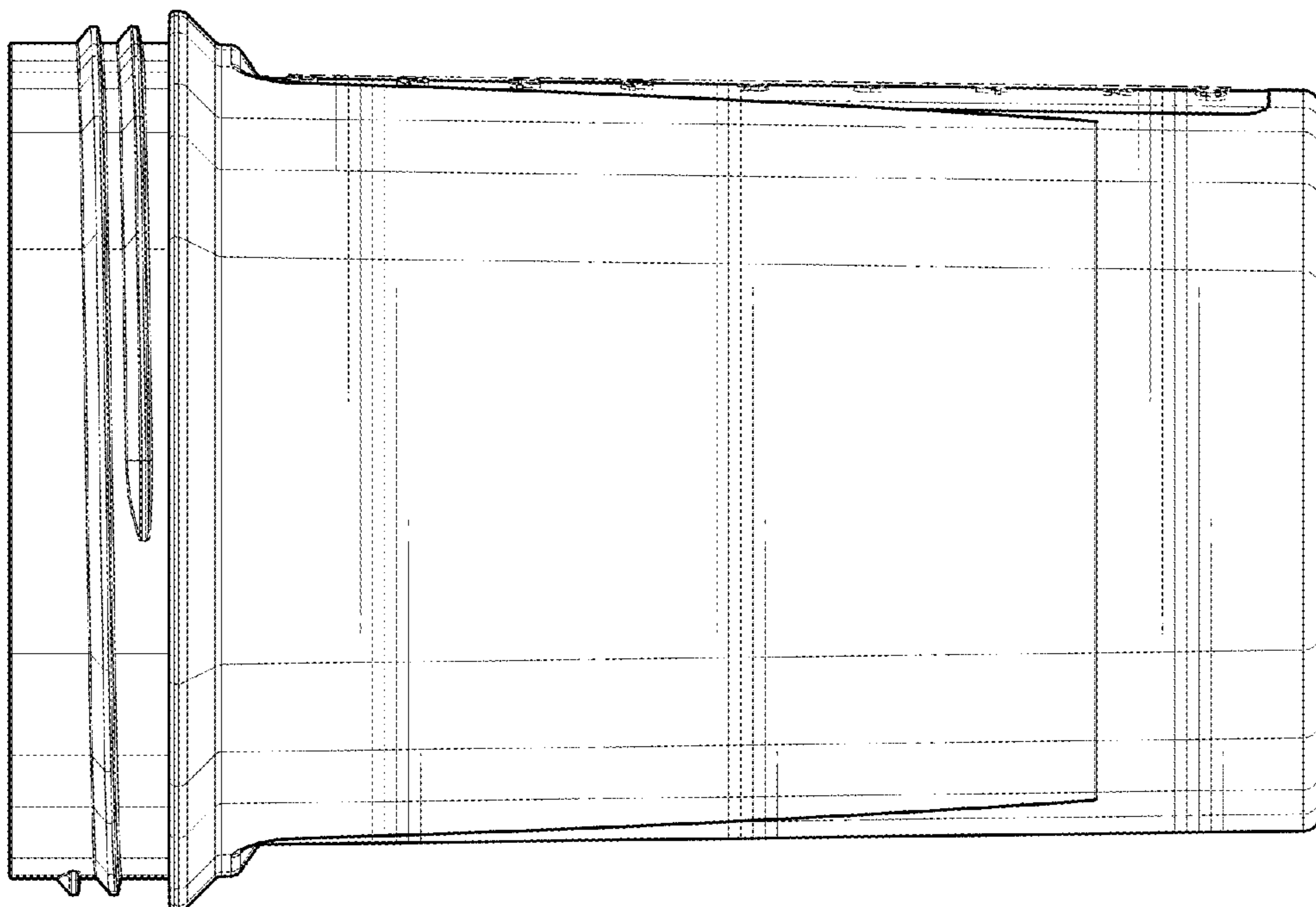


Fig. 5

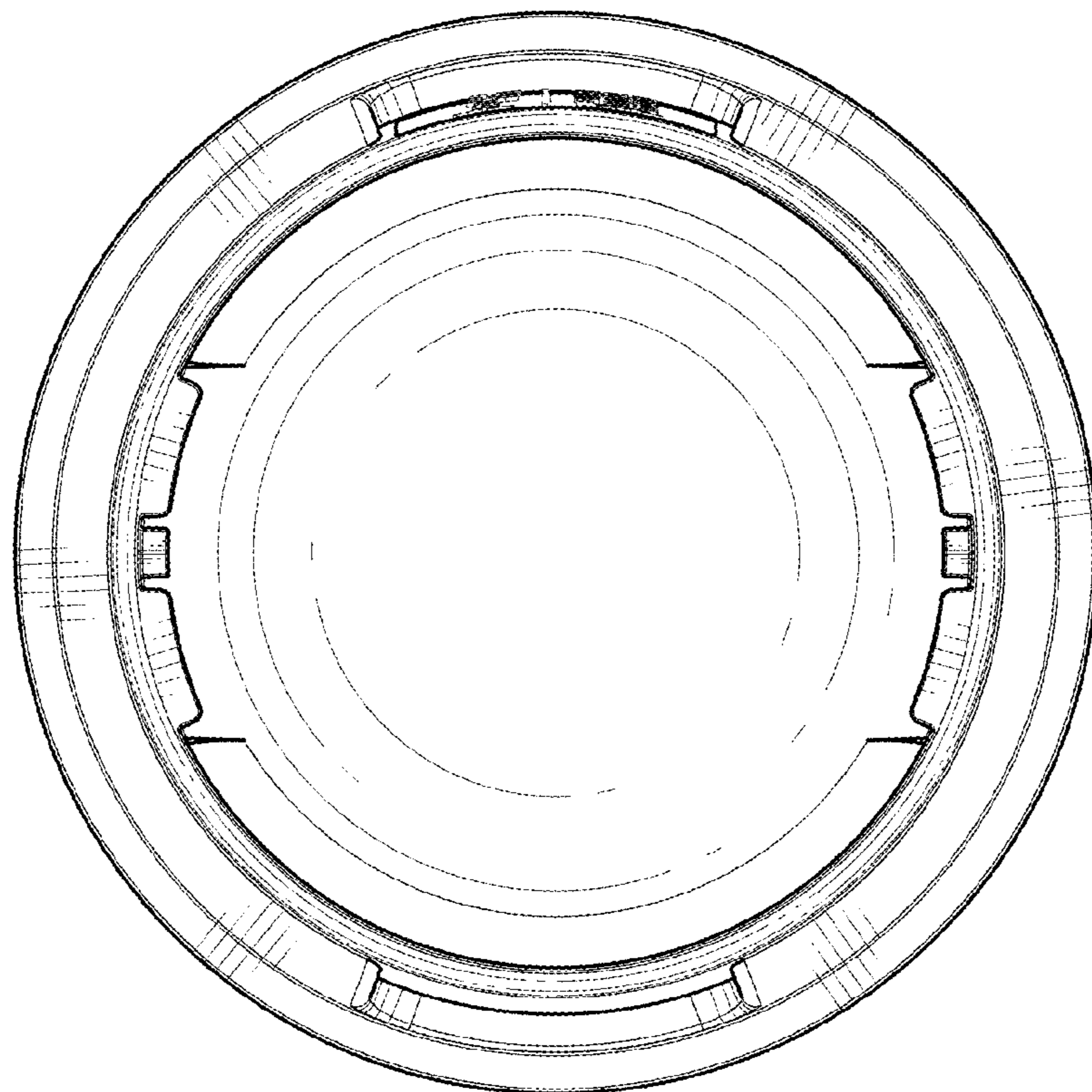


Fig. 8

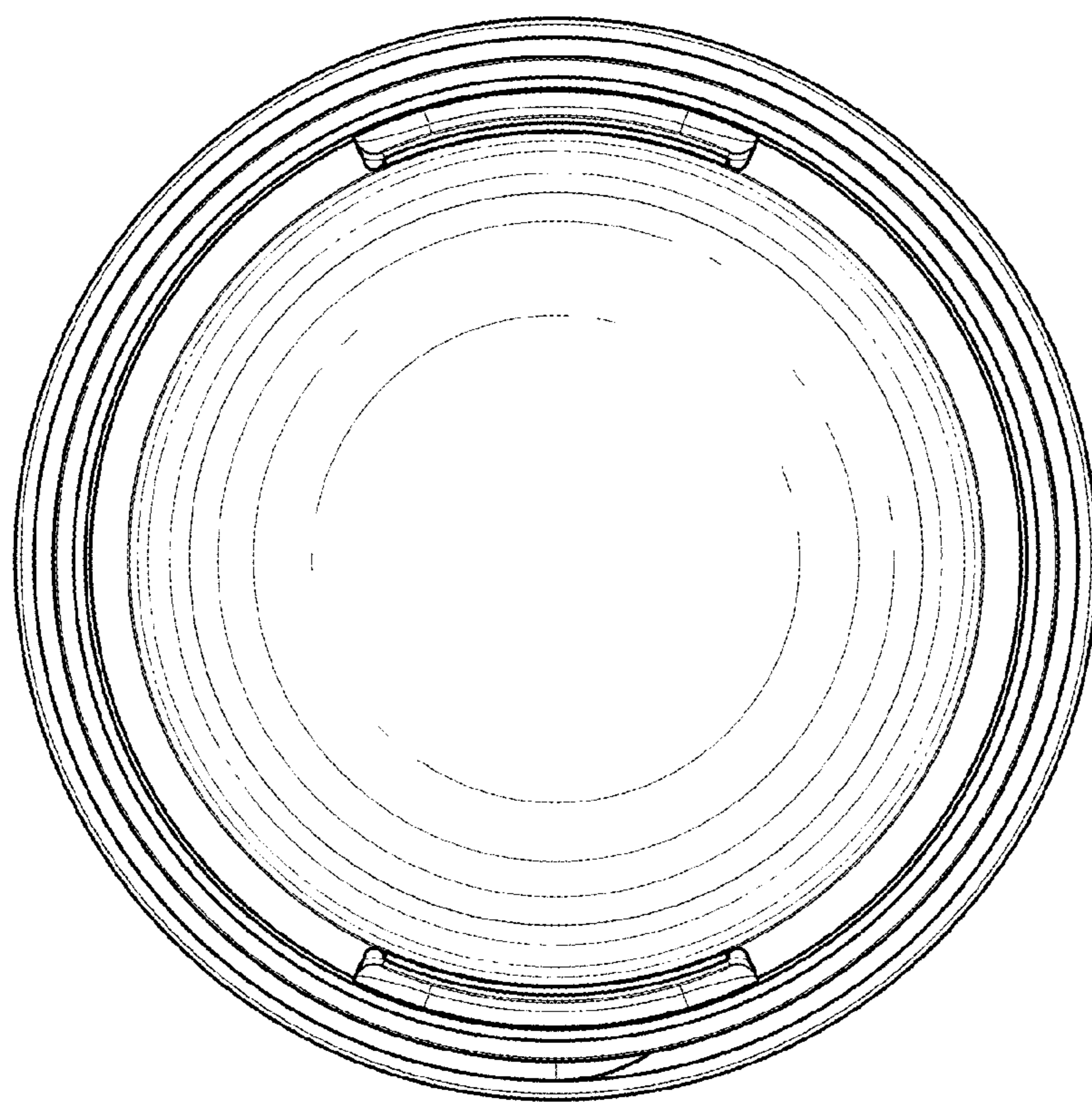


Fig. 7