

US00D697793S

(12) **United States Design Patent**
Levy et al.

(10) **Patent No.:** **US D697,793 S**
(45) **Date of Patent:** **** Jan. 21, 2014**

- (54) **DISPLAY BOX**
- (71) Applicant: **Navajo Manufacturing Company, Inc.**,
Denver, CO (US)
- (72) Inventors: **Gordon Levy**, Golden, CO (US); **Larry Rupp**, Arvada, CO (US)
- (73) Assignee: **Navajo Manufacturing Company, Inc.**,
Denver, CO (US)
- (**) Term: **14 Years**
- (21) Appl. No.: **29/449,634**
- (22) Filed: **Mar. 15, 2013**

Related U.S. Application Data

- (63) Continuation-in-part of application No. 29/425,396,
filed on Jun. 22, 2012, now Pat. No. Des. 680,859.
- (51) **LOC (10) Cl.** **09-03**
- (52) **U.S. Cl.**
USPC **D9/423**
- (58) **Field of Classification Search**
USPC D9/414-418, 420-423, 432, 337;
206/765, 756, 761, 775-783; 229/122,
229/122.1, 238, 925, 125.15, 162
See application file for complete search history.

(56) **References Cited**

U.S. PATENT DOCUMENTS

1,909,472 A *	5/1933	Keppler	206/762
2,684,792 A	7/1954	Kraus	
2,803,390 A	8/1957	MacKay	
2,886,232 A	5/1959	Leone	
3,229,944 A	1/1966	Everburg	
3,593,908 A	7/1971	Desmond et al.	
D235,784 S	7/1975	Maloy	
3,944,128 A	3/1976	Hogan	
4,150,752 A	4/1979	Breining et al.	
4,204,602 A	5/1980	Dunchock	

5,069,416 A	12/1991	Ennis	
D356,221 S	3/1995	Griffith	
5,458,272 A	10/1995	Ward-Weber	
D371,458 S	7/1996	Valls et al.	
D374,366 S	10/1996	Eldon, III et al.	
5,593,045 A	1/1997	Eldon, III	
D381,850 S *	8/1997	Alig et al.	D6/517
D430,489 S	9/2000	Bowers et al.	
6,189,778 B1	2/2001	Kanter	
D447,686 S	9/2001	Cattell et al.	
D491,059 S	6/2004	Kim	
6,951,300 B2	10/2005	Caille et al.	
D519,828 S	5/2006	Cavero et al.	
7,040,754 B2	5/2006	Hamaker et al.	
7,066,380 B2	6/2006	Blake	
D536,563 S	2/2007	Smith	
7,703,665 B2	4/2010	McGowan	
D622,140 S *	8/2010	Elhalwani	D9/421
D623,511 S *	9/2010	Favale	D9/421
D649,032 S	11/2011	Hearn	
D680,423 S *	4/2013	Wong	D9/423
D680,859 S *	4/2013	Levy et al.	D9/423
2008/0087562 A1 *	4/2008	Berger et al.	206/268

* cited by examiner

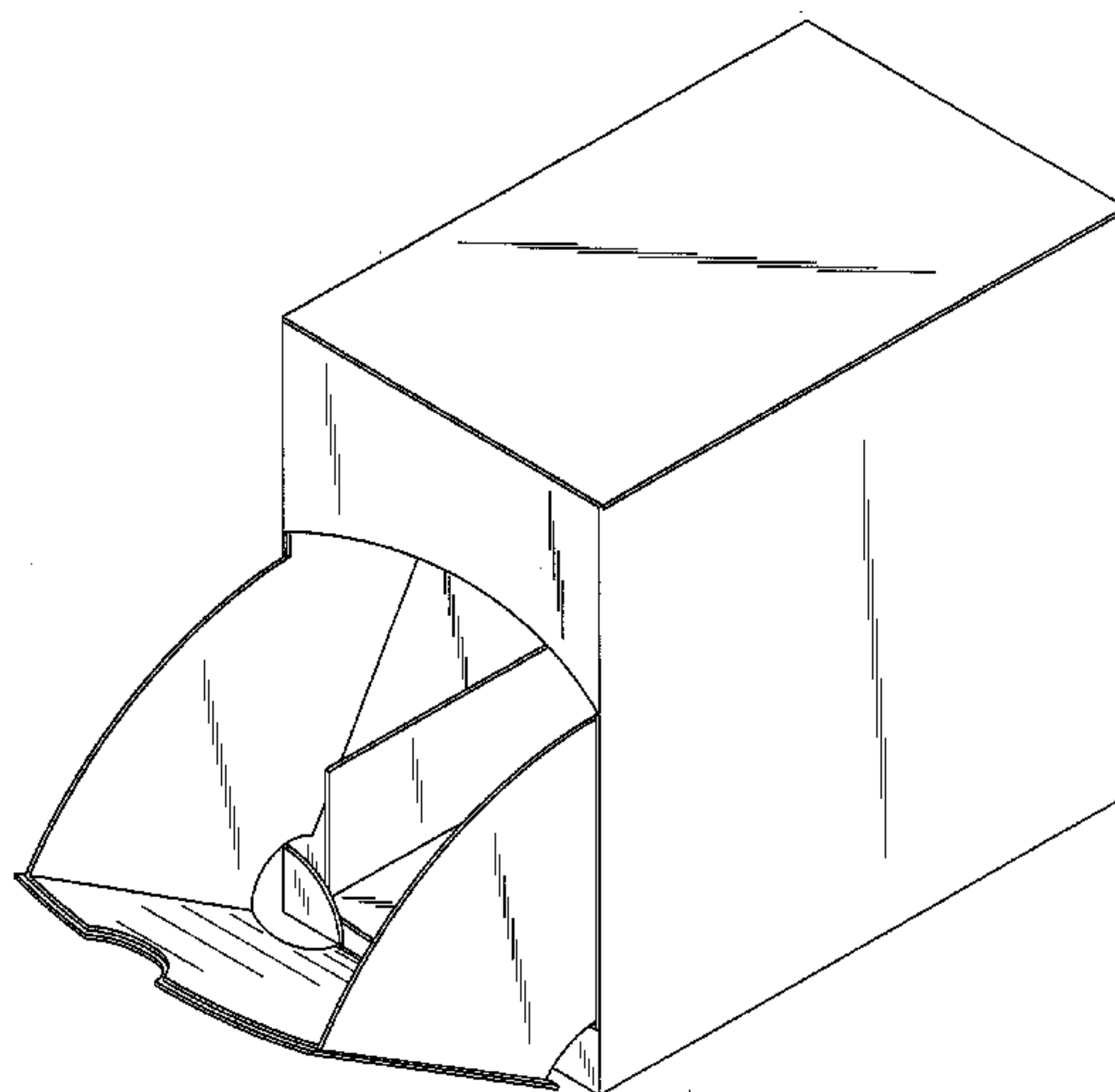
Primary Examiner — Thomas Johannes
(74) *Attorney, Agent, or Firm* — Studebaker & Brackett PC

(57) **CLAIM**
The ornamental design for a display box, as shown and described.

DESCRIPTION

FIG. 1 is a front perspective view showing our new design for a display box,
FIG. 2 is a another front perspective view thereof,
FIG. 3 is a left-side view thereof,
FIG. 4 is a right-side view thereof,
FIG. 5 is a top view thereof,
FIG. 6 is a bottom view thereof,
FIG. 7 is a front view thereof; and,
FIG. 8 is a rear view thereof.

1 Claim, 8 Drawing Sheets



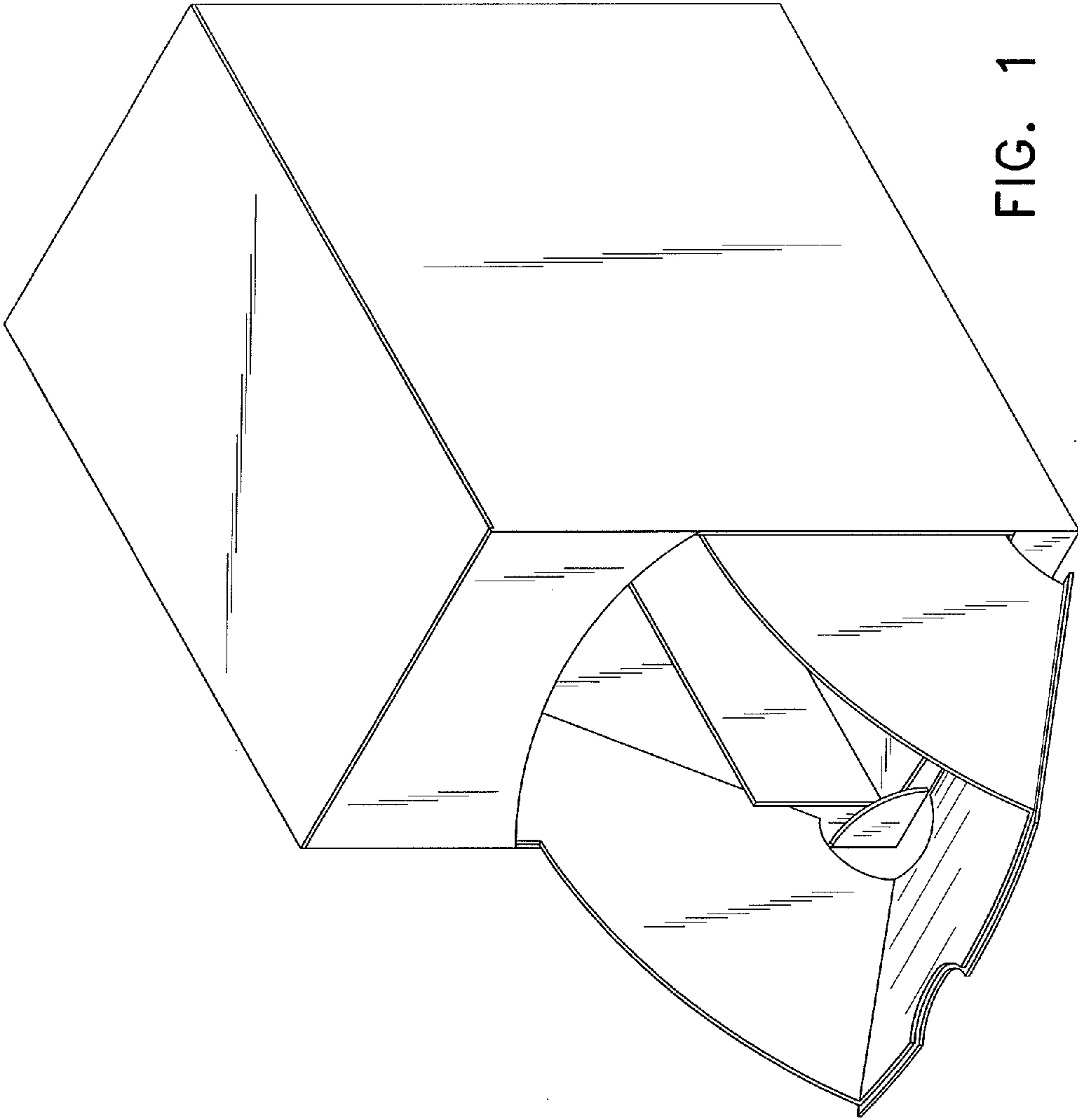


FIG. 1

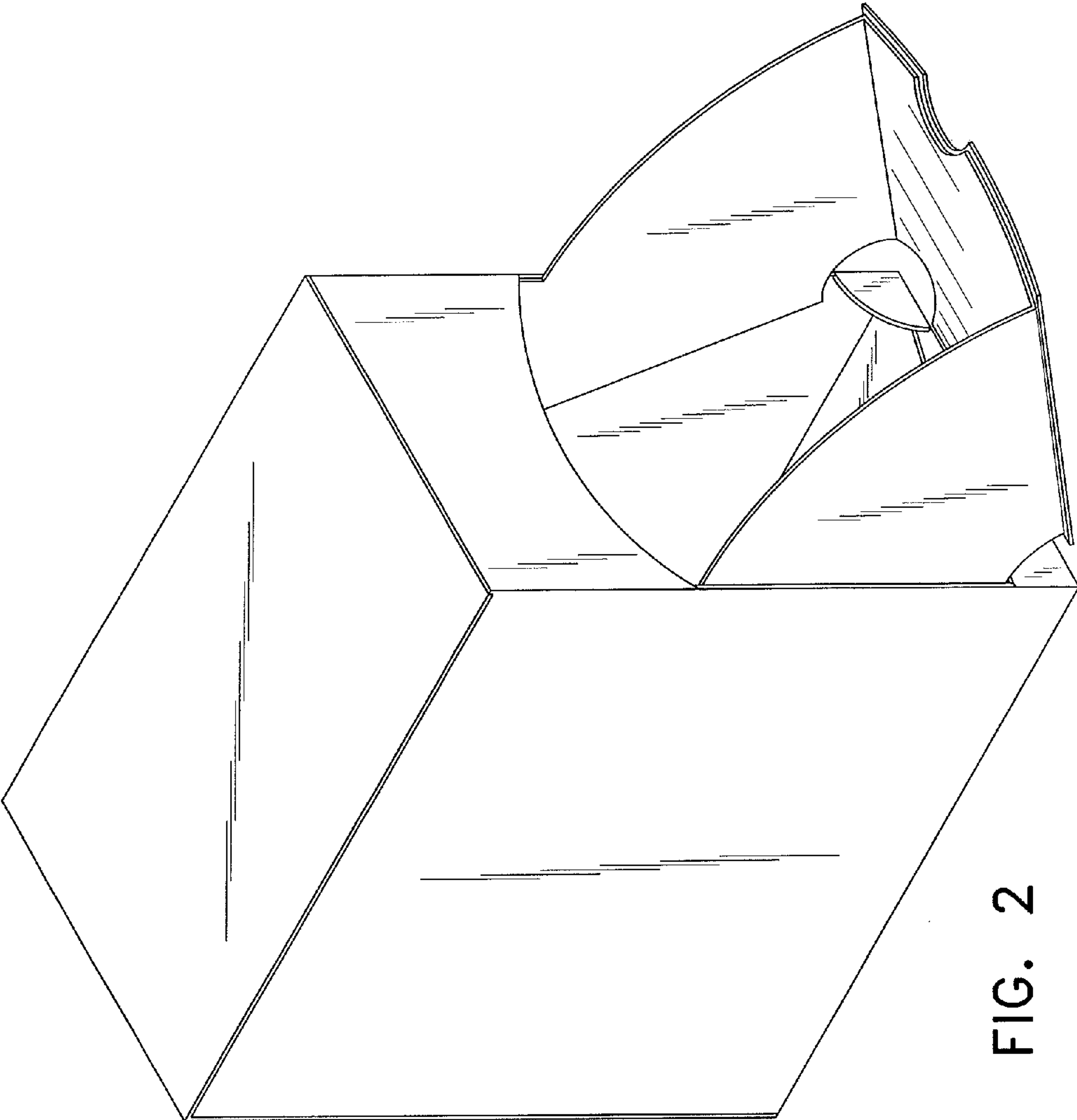


FIG. 2

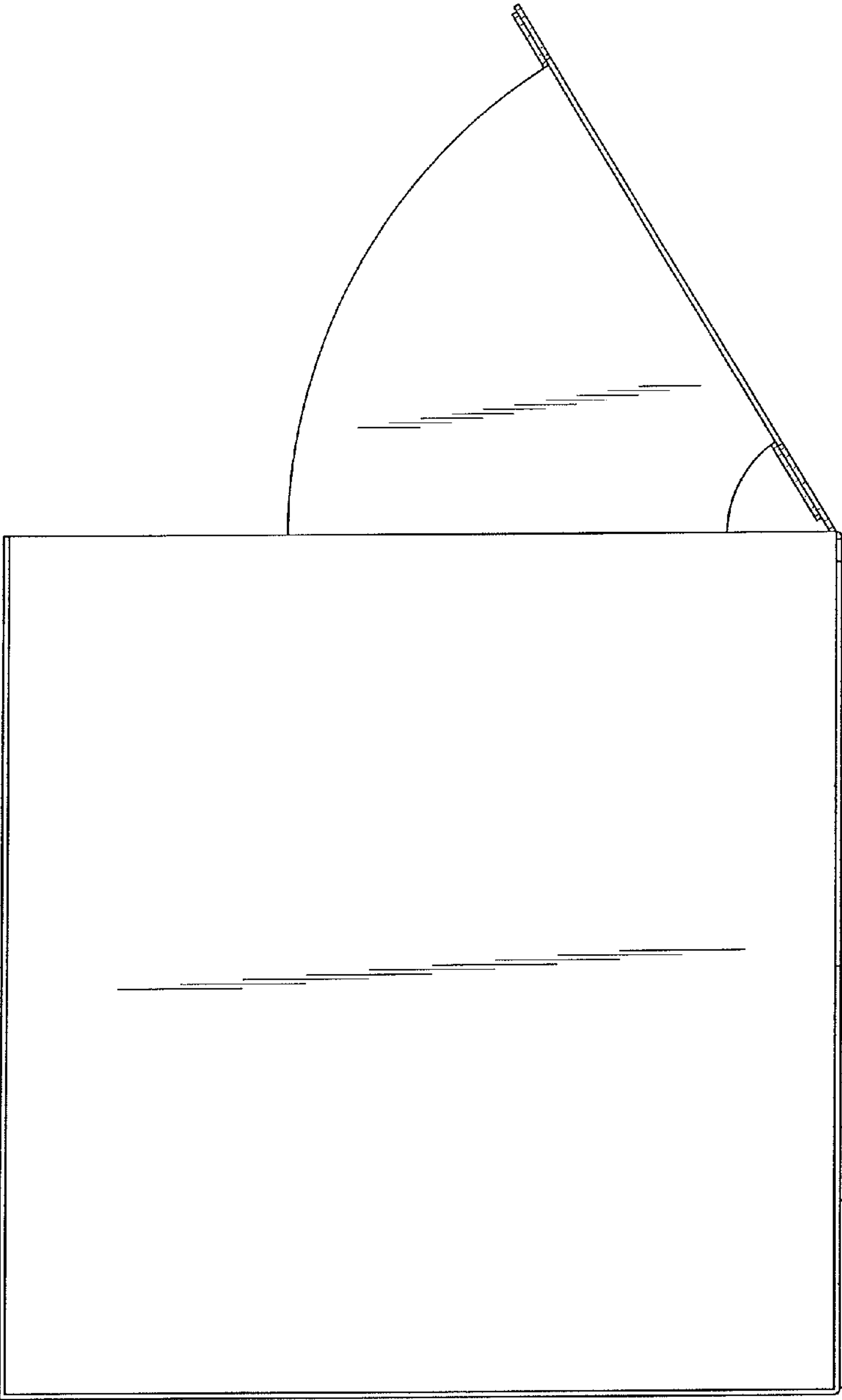


FIG. 3

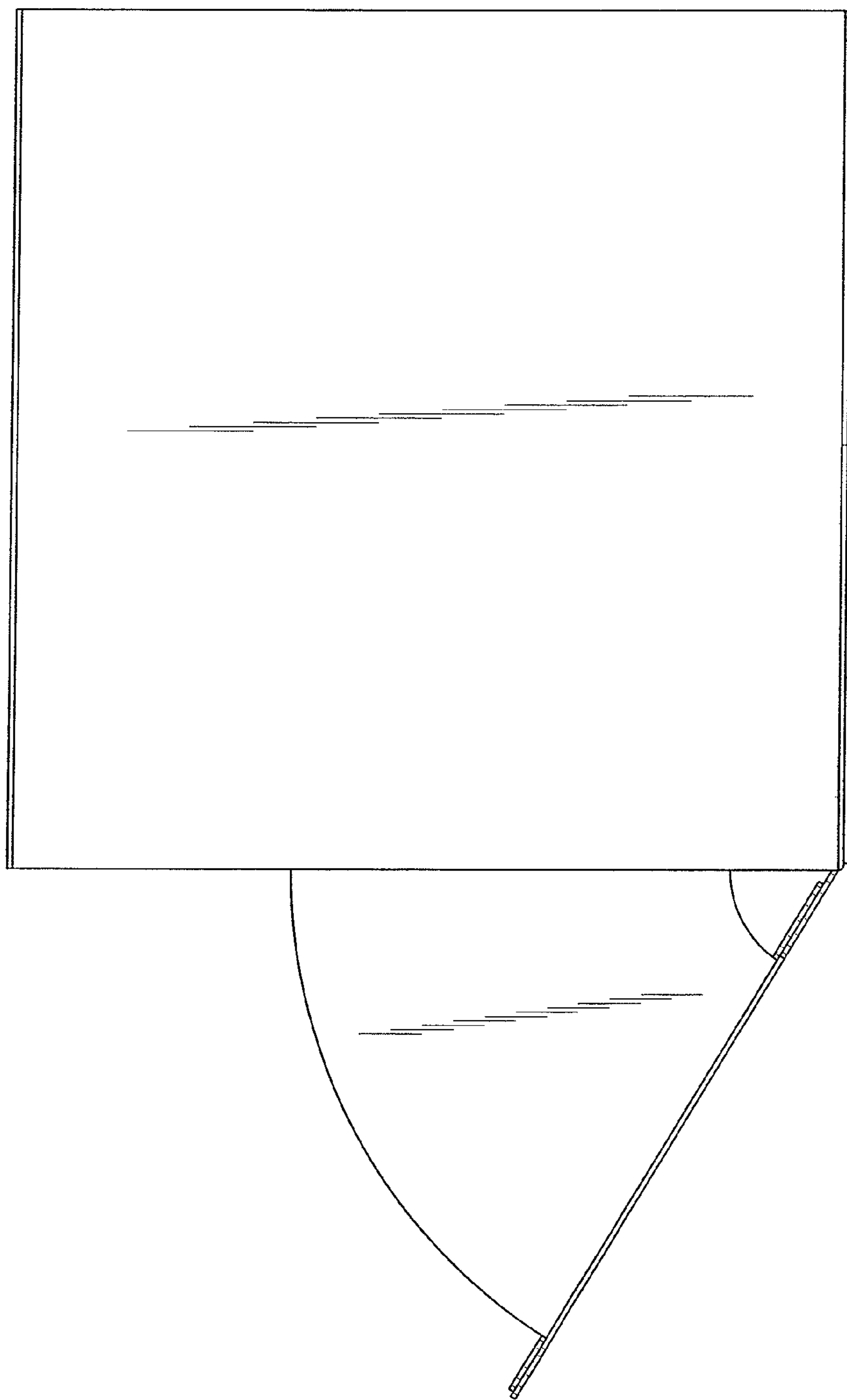


FIG. 4

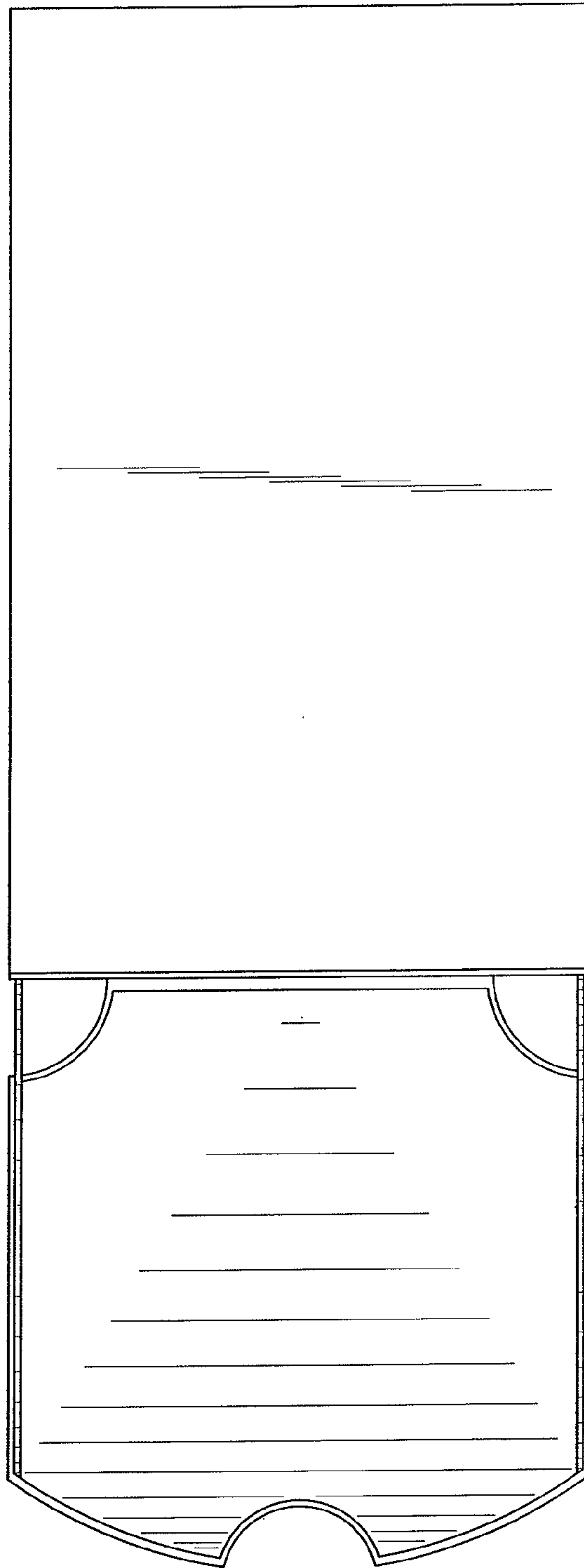


FIG. 5

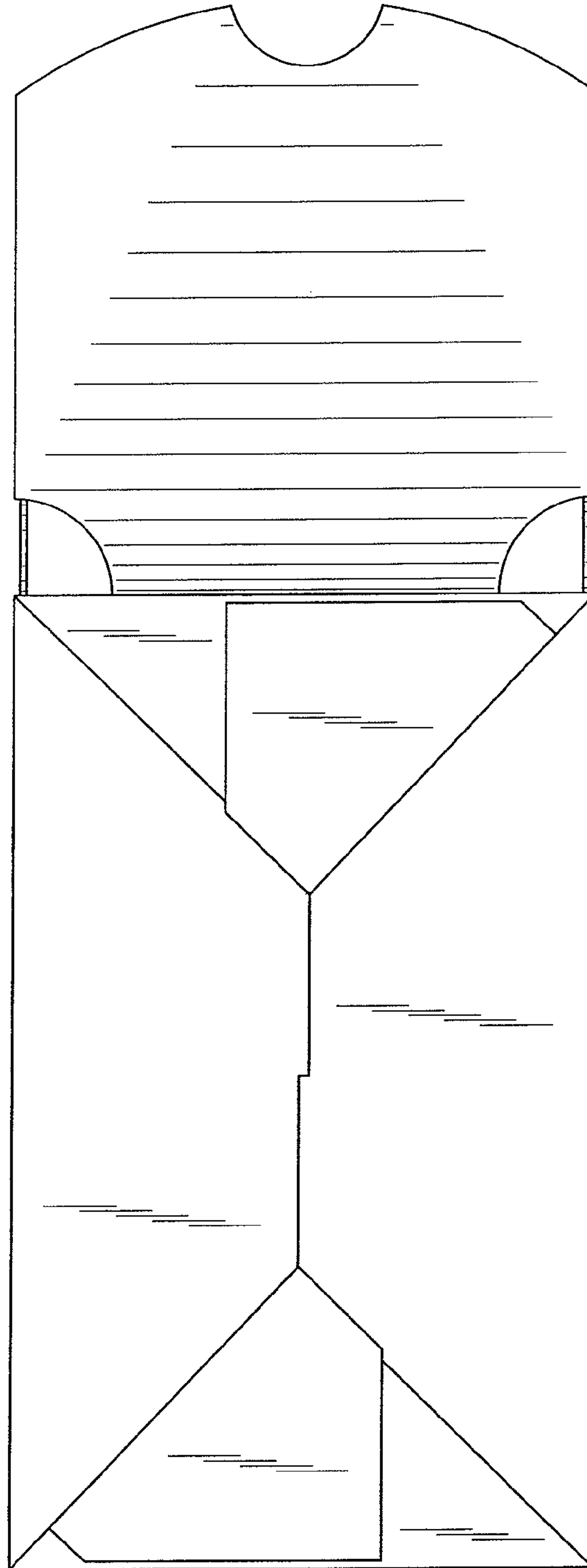


FIG. 6

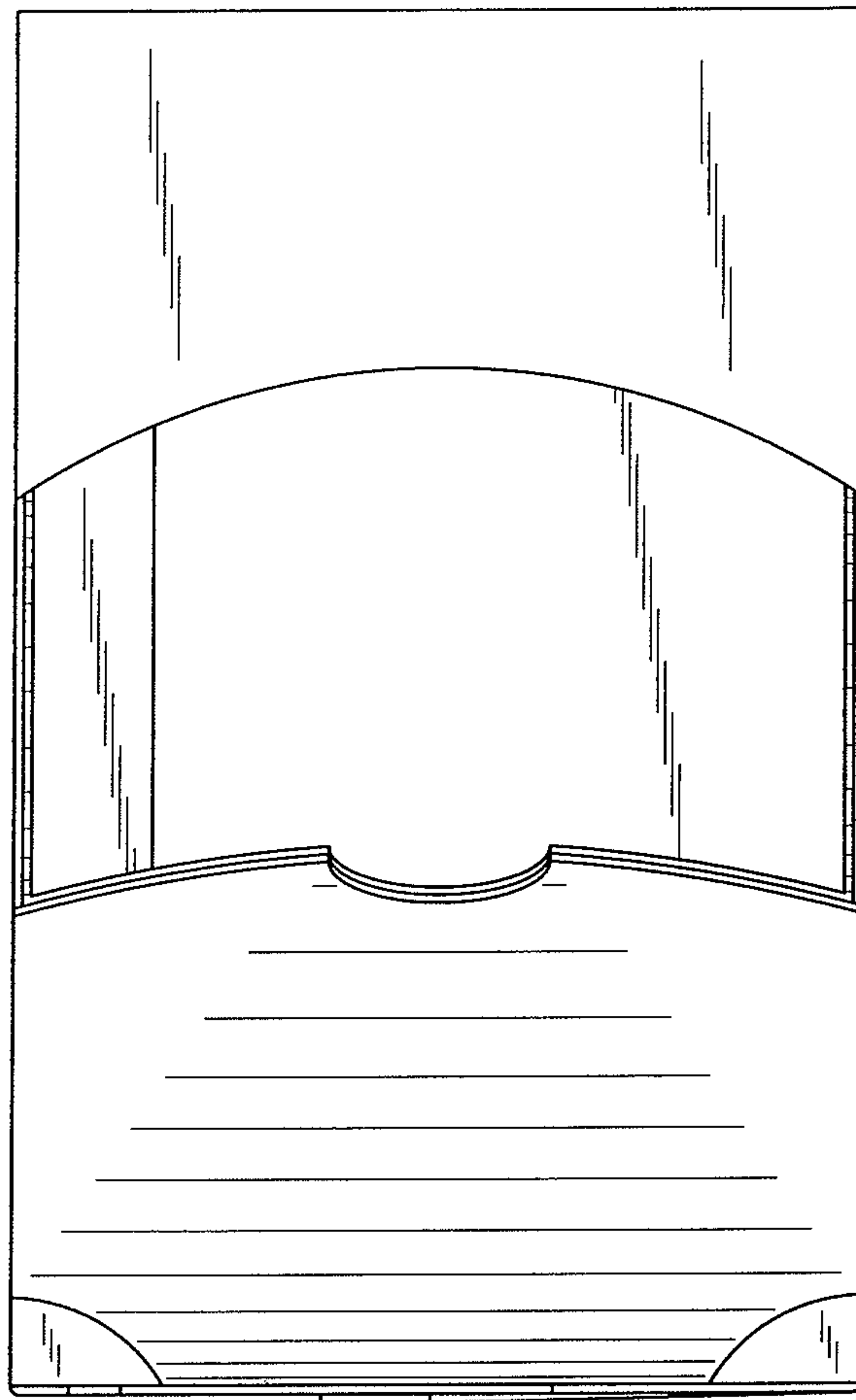


FIG. 7

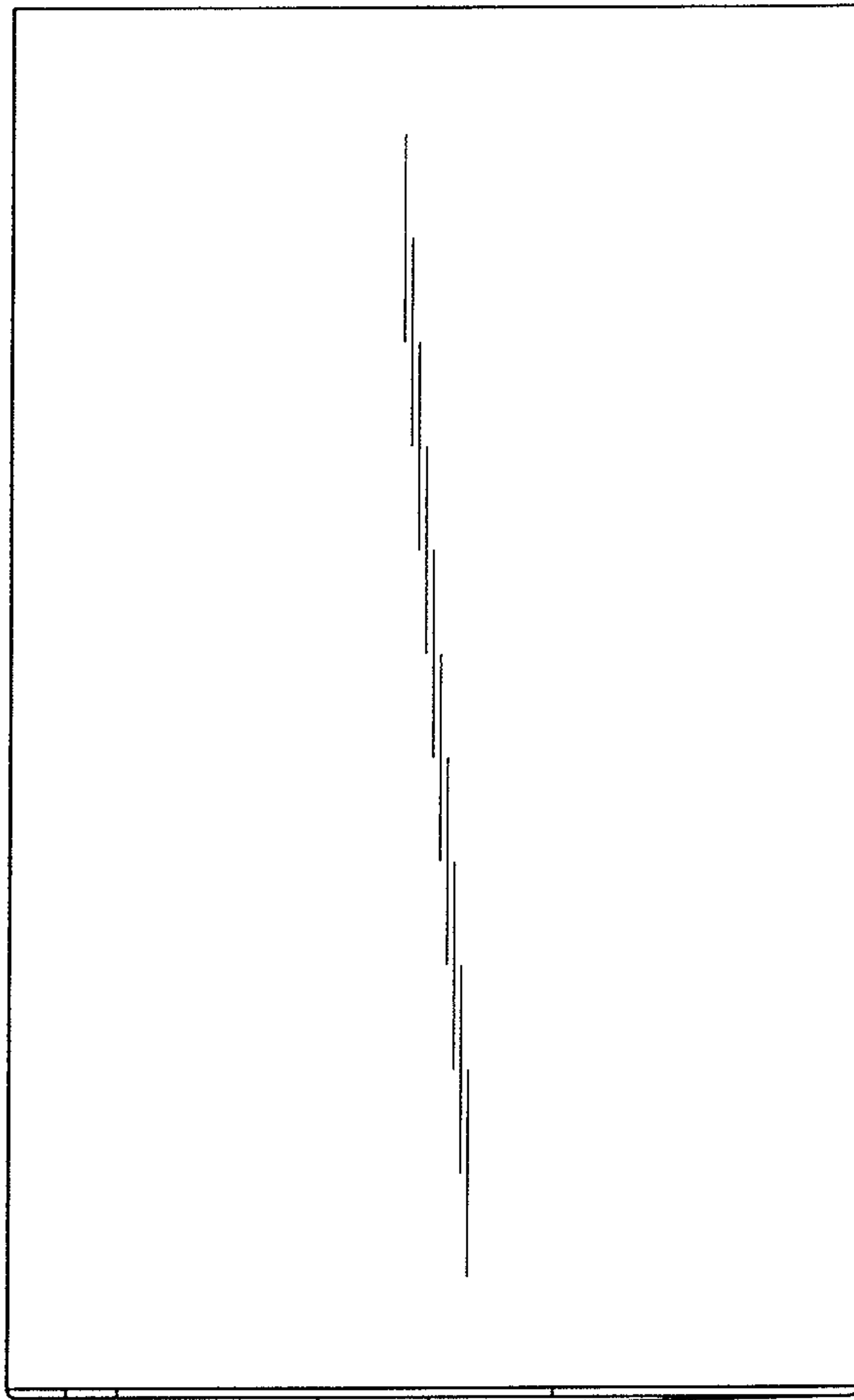


FIG. 8