



US00D697790S

(12) **United States Design Patent**  
**Iwegbu**

(10) **Patent No.:** **US D697,790 S**  
(45) **Date of Patent:** **\*\* Jan. 21, 2014**

(54) **CONTAINER**

(71) Applicant: **Natasha Iwegbu**, Washington, DC (US)

(72) Inventor: **Natasha Iwegbu**, Washington, DC (US)

(\*\*) Term: **14 Years**

(21) Appl. No.: **29/446,914**

(22) Filed: **Feb. 28, 2013**

(51) **LOC (10) Cl.** ..... **09-03**

(52) **U.S. Cl.**  
USPC ..... **D9/420; D9/711**

(58) **Field of Classification Search**

USPC ..... D9/702, 711, 715, 721, 722, 414, 415,  
D9/416, 418, 420, 425, 430, 431, 432, 433,  
D9/434, 435, 443, 444, 456, 499;  
206/209.1, 361-362.4, 368, 369, 63.5,  
206/461-471, 806; 229/100, 102.5, 103.2,  
229/108-116.1, 116.4, 117.09, 117.12,  
229/117.18, 117.23, 117.24, 922

See application file for complete search history.

(56) **References Cited**

**U.S. PATENT DOCUMENTS**

1,152,471 A \* 9/1915 Anthony ..... 206/232  
D413,261 S \* 8/1999 Yerich ..... D9/426  
6,779,658 B2 \* 8/2004 Polloni et al. .... 206/268  
7,036,664 B2 \* 5/2006 Lee et al. .... 206/468  
D552,486 S \* 10/2007 Herring et al. .... D9/711

7,690,509 B2 \* 4/2010 Herring et al. .... 206/470  
7,857,133 B2 \* 12/2010 Skurdalsvold et al. .... 206/468  
D658,494 S \* 5/2012 Raimer et al. .... D9/431  
8,434,621 B2 \* 5/2013 Hun et al. .... 206/471  
D686,912 S \* 7/2013 Ehde et al. .... D9/415

\* cited by examiner

*Primary Examiner* — Thomas Johannes

(74) *Attorney, Agent, or Firm* — Maier & Maier, PLLC

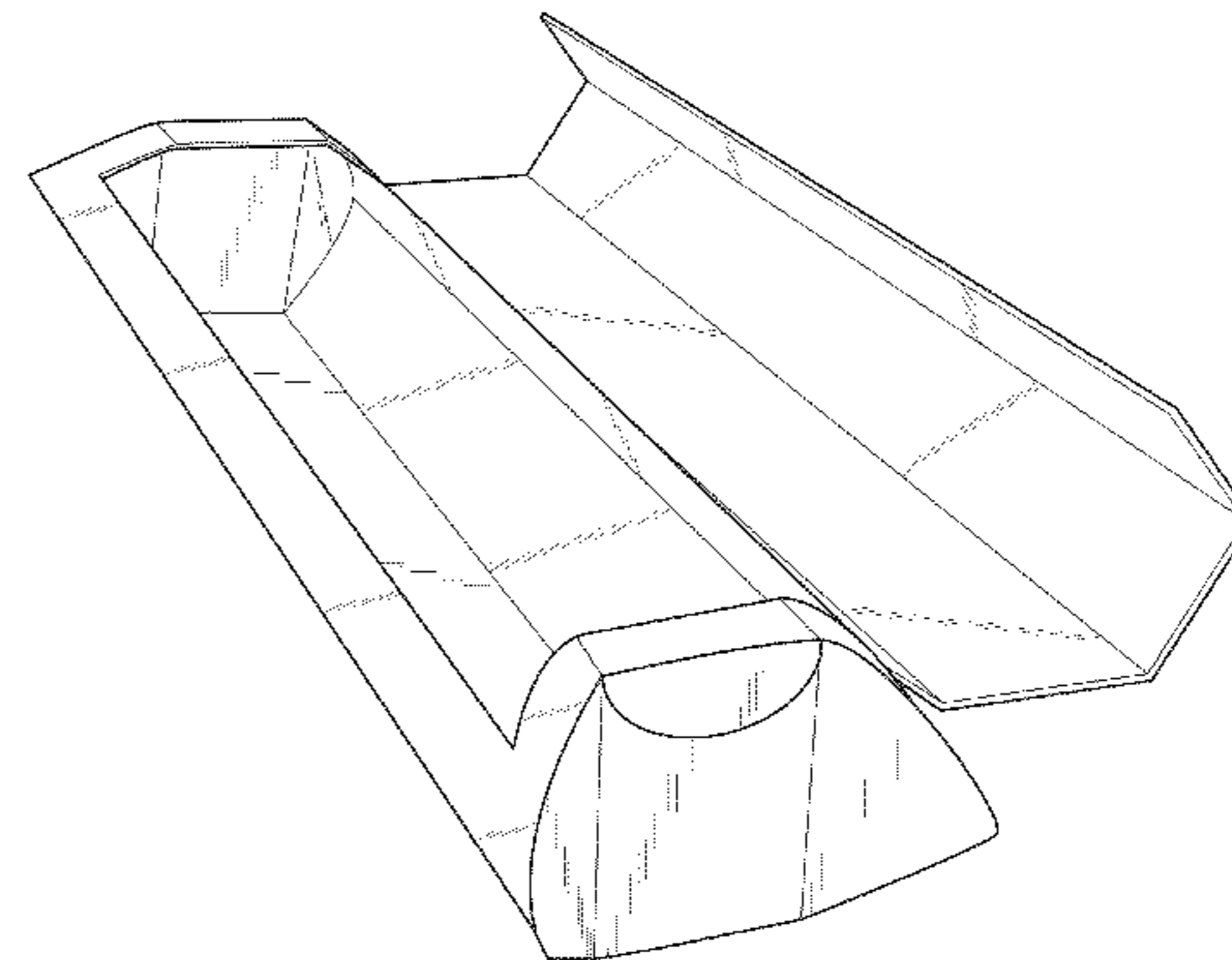
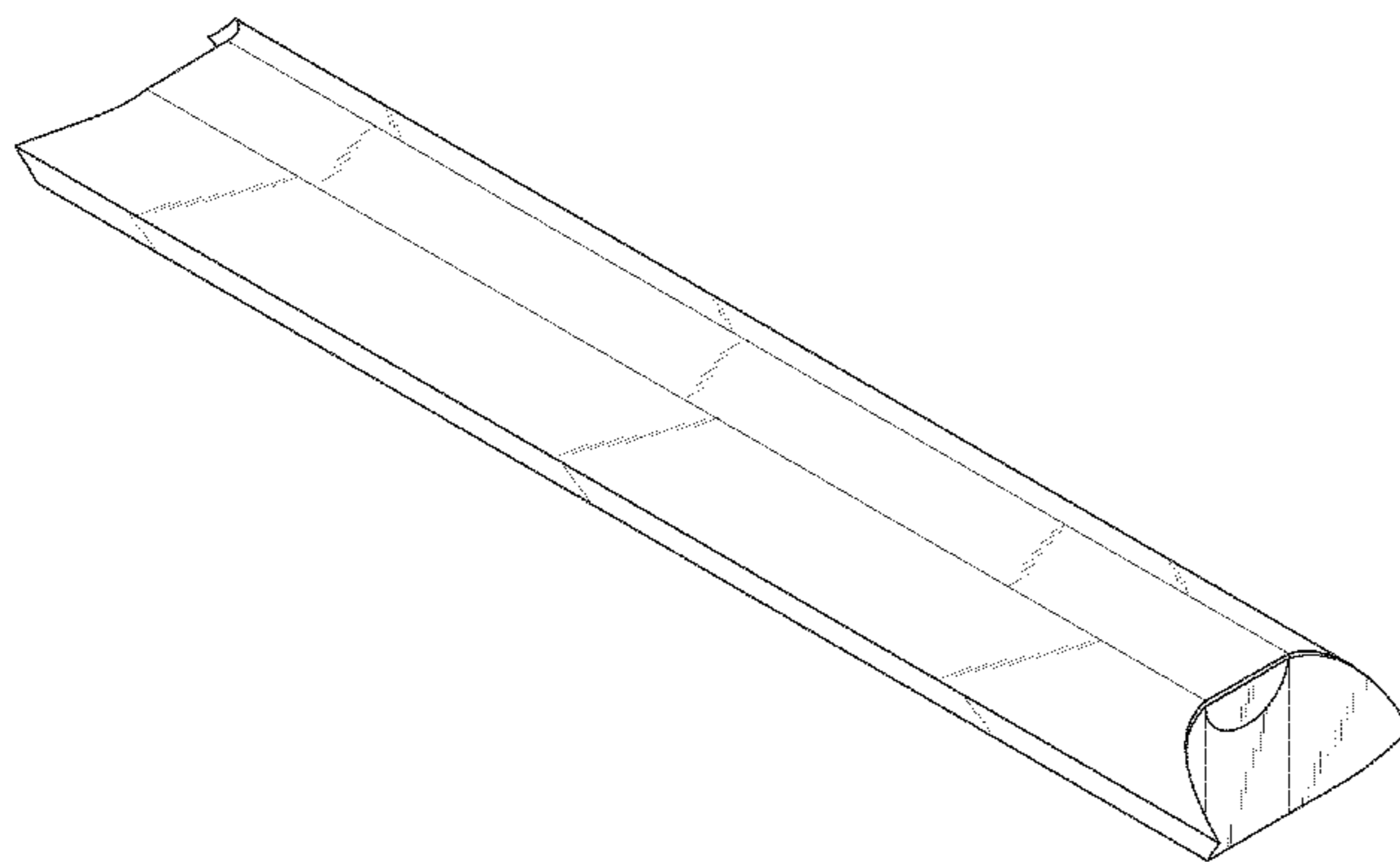
(57) **CLAIM**

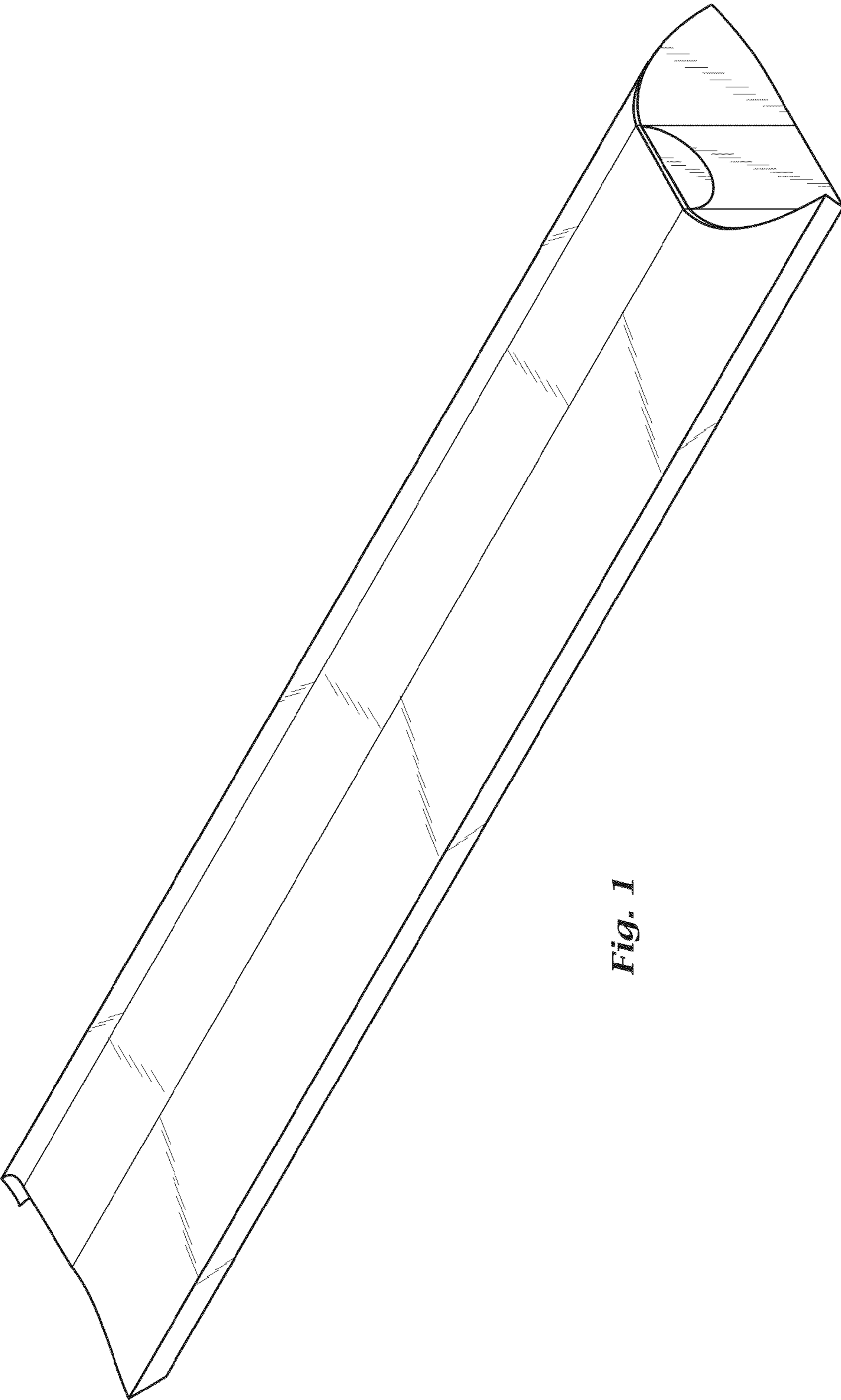
The ornamental design for a container, as shown and described.

**DESCRIPTION**

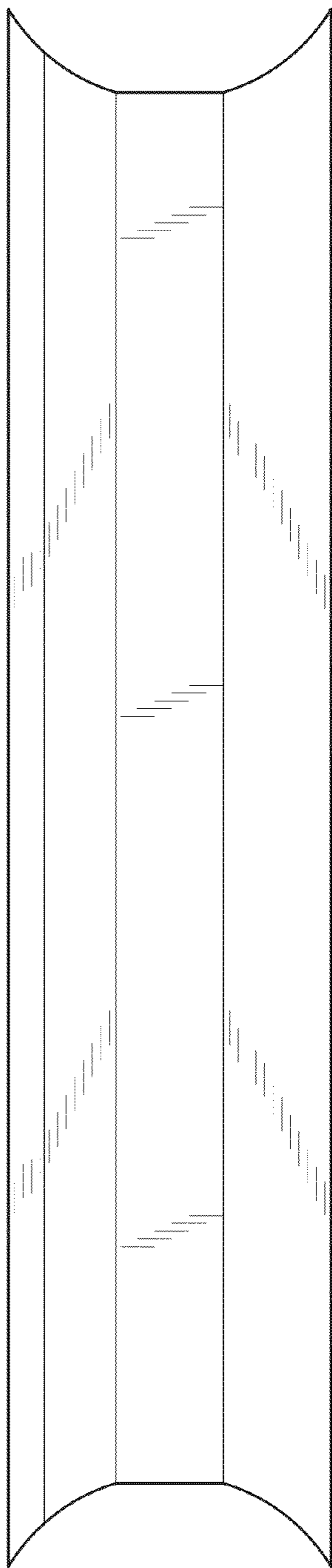
FIG. 1 is an isometric view of a container, showing my design;  
FIG. 2 is a top plan view thereof;  
FIG. 3 is a bottom plan view thereof;  
FIG. 4 is a left side elevational view thereof;  
FIG. 5 is a right side elevational view thereof;  
FIG. 6 is a front elevational view thereof;  
FIG. 7 is a rear elevational view thereof;  
FIG. 8 is a perspective view of the container in an open configuration;  
FIG. 9 is a top plan view thereof;  
FIG. 10 is a bottom plan view thereof;  
FIG. 11 is a left side elevational view thereof;  
FIG. 12 is a right side elevational view thereof;  
FIG. 13 is a front elevational view thereof; and,  
FIG. 14 is a rear elevational view thereof.

**1 Claim, 6 Drawing Sheets**

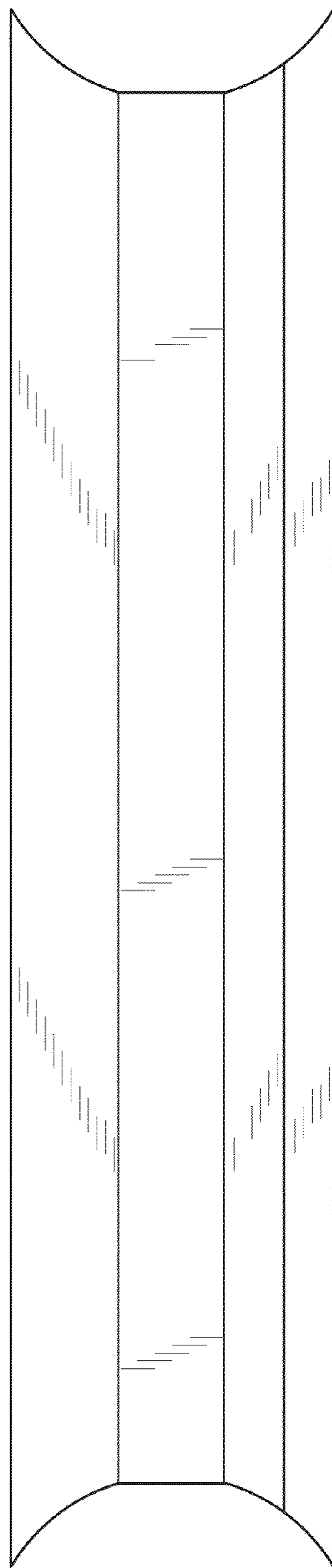




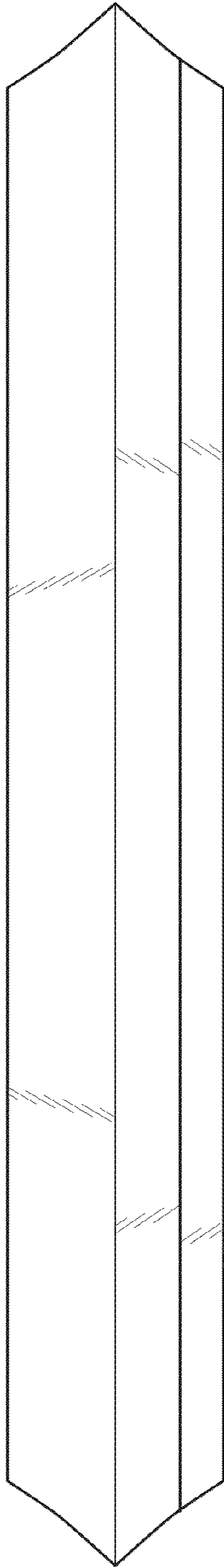
*Fig. 1*



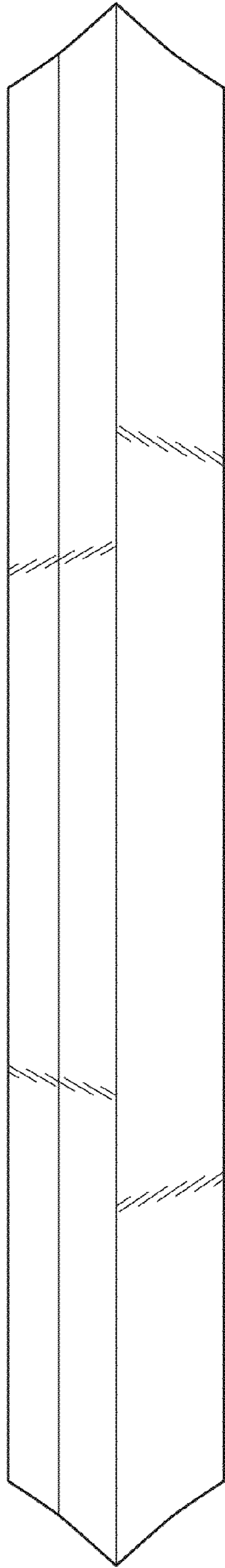
*Fig. 2*



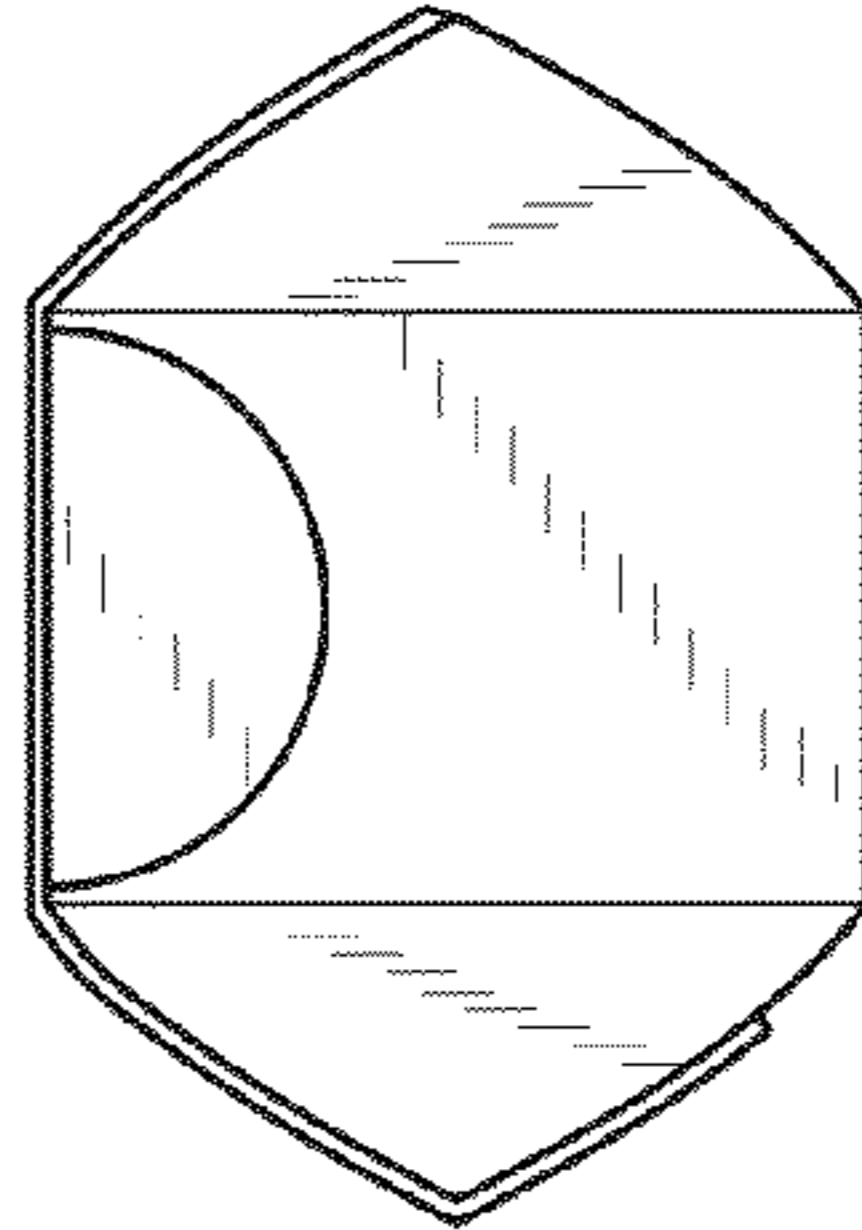
*Fig. 3*



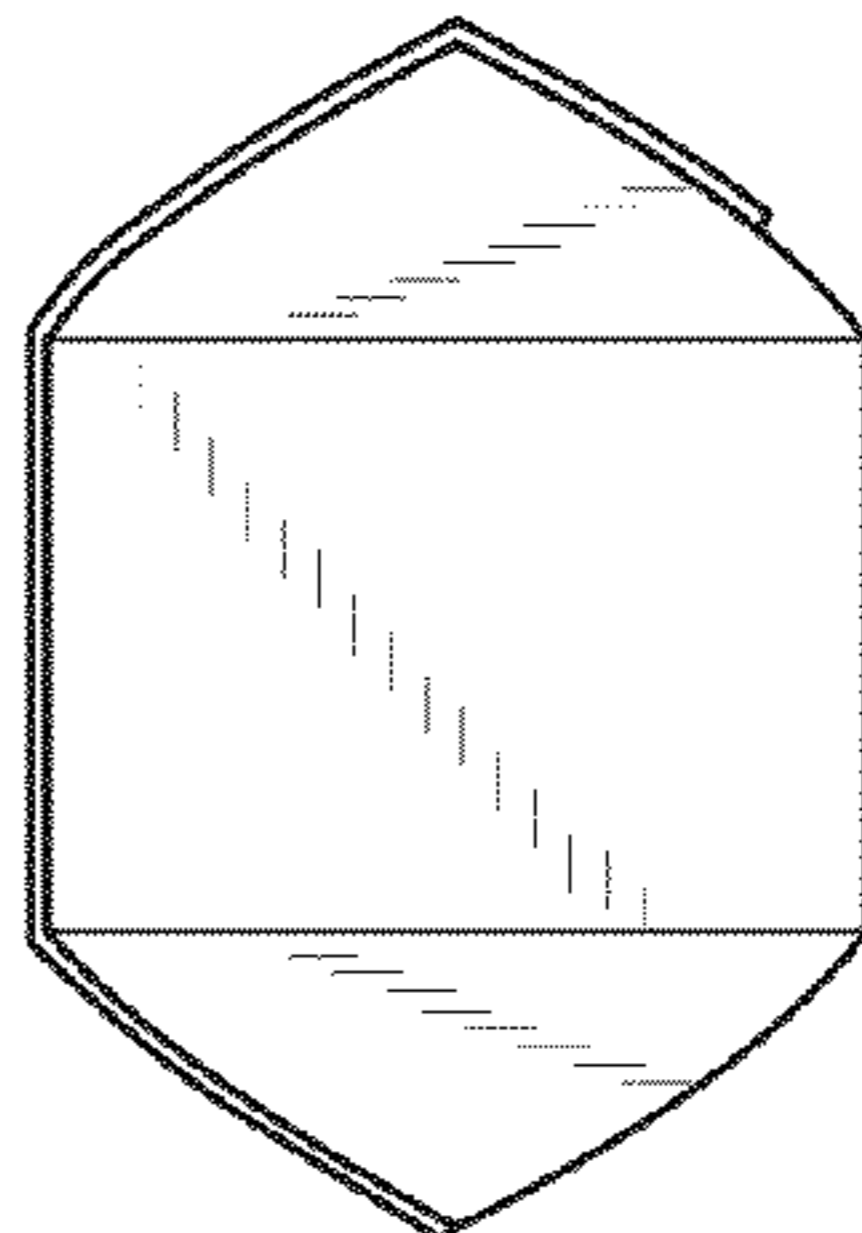
*Fig. 4*



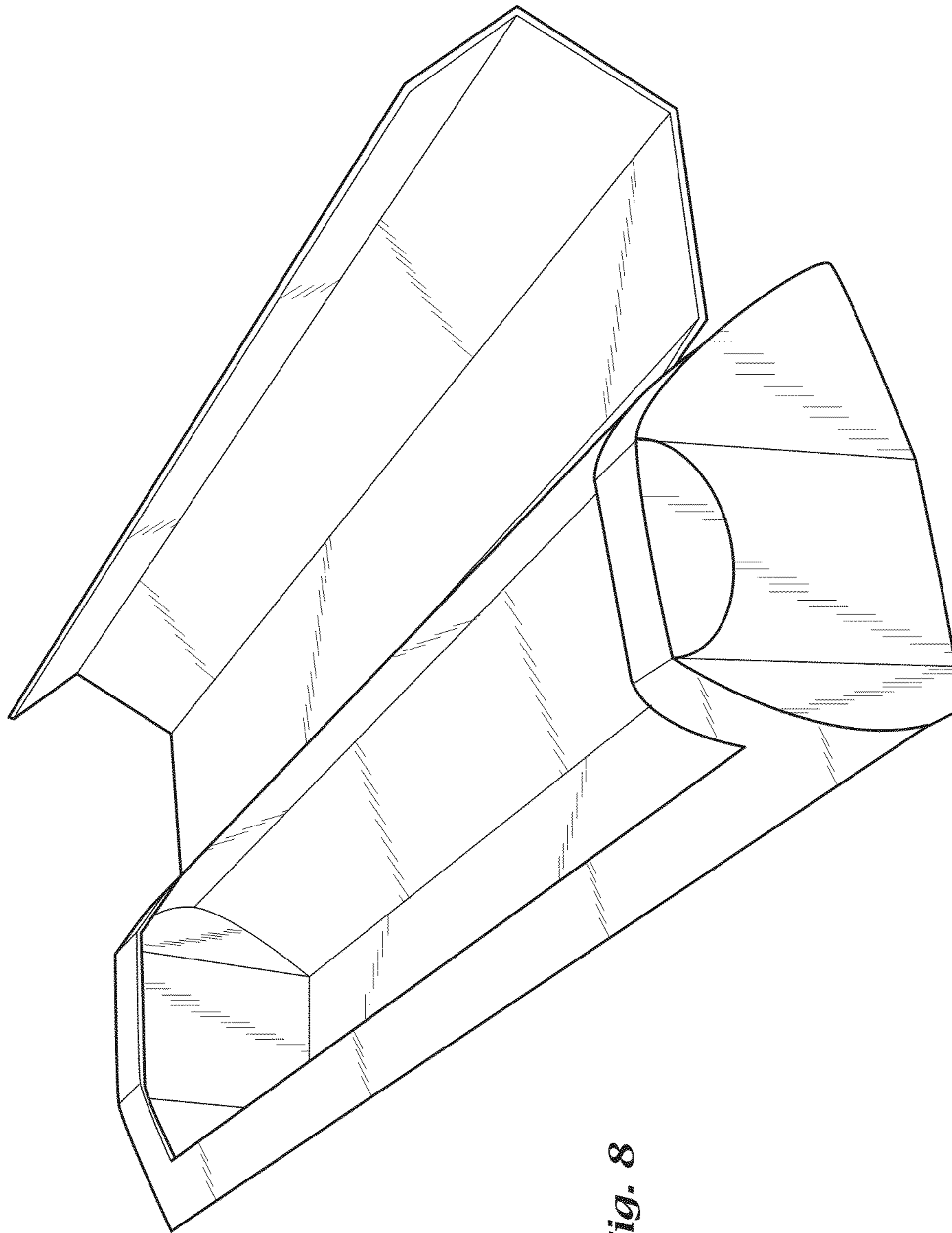
*Fig. 5*



*Fig. 6*



*Fig. 7*



*Fig. 8*

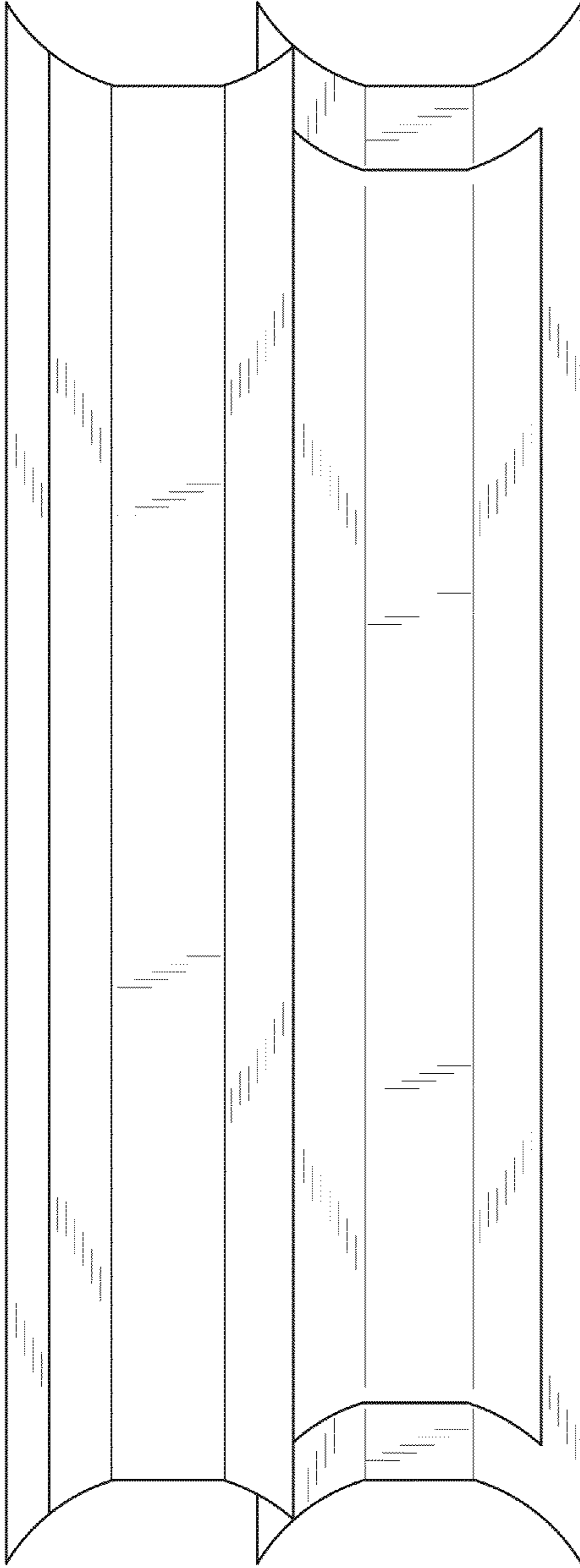


Fig. 9

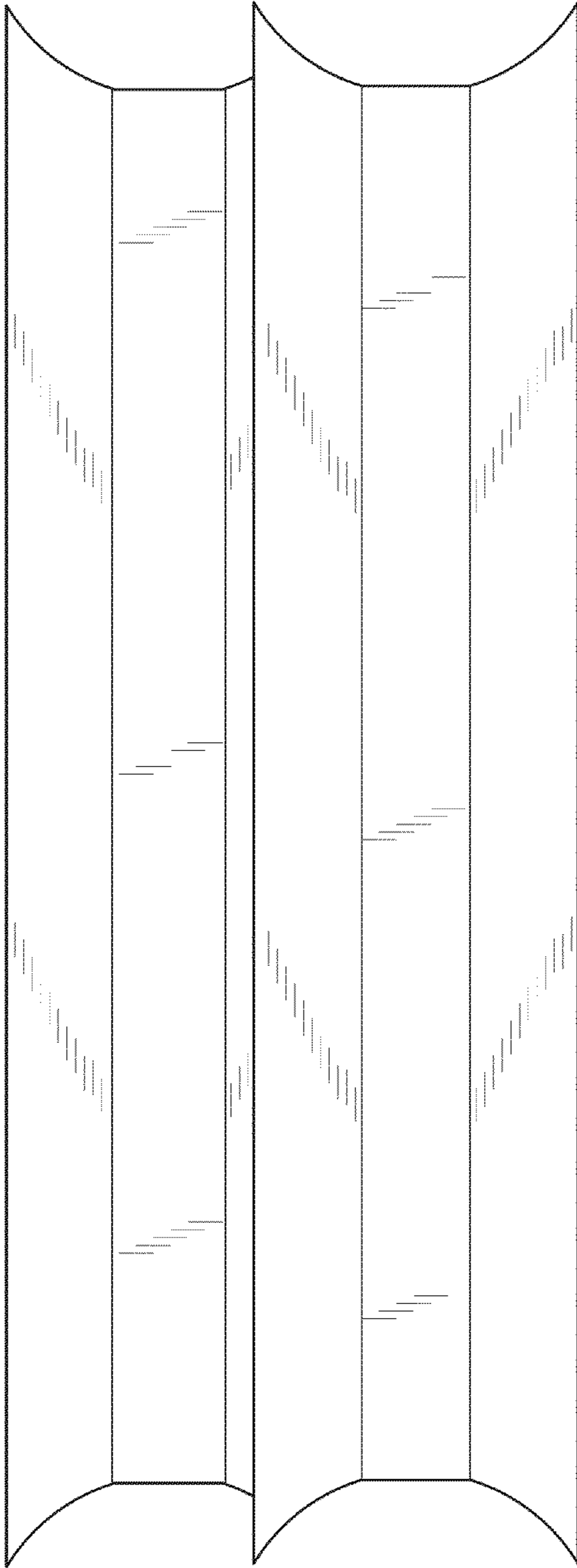


Fig. 10

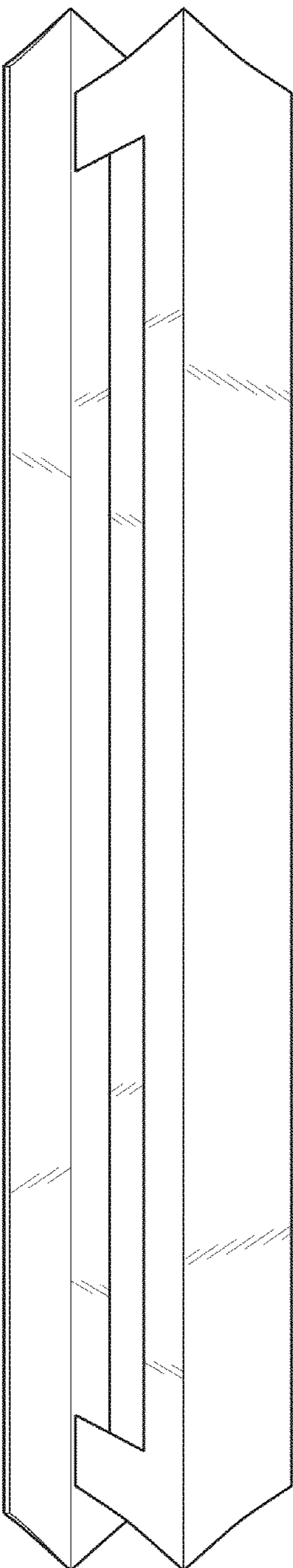


Fig. 11

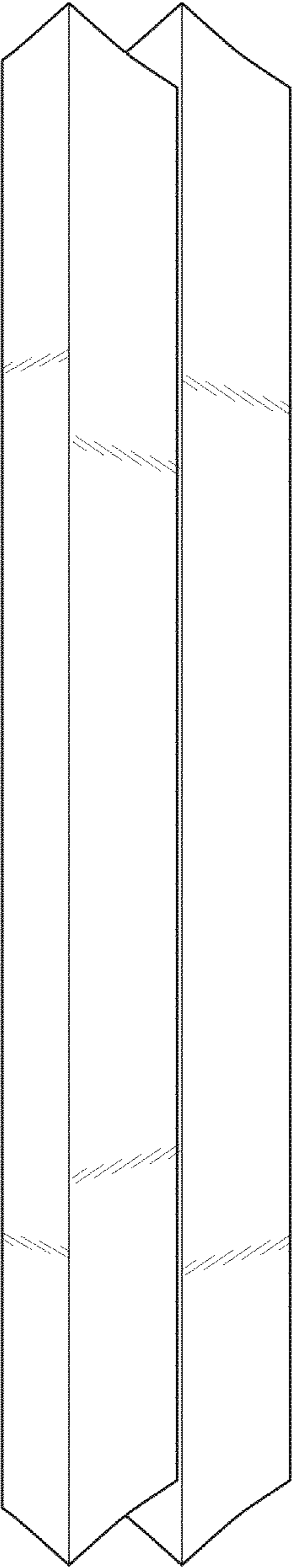


Fig. 12

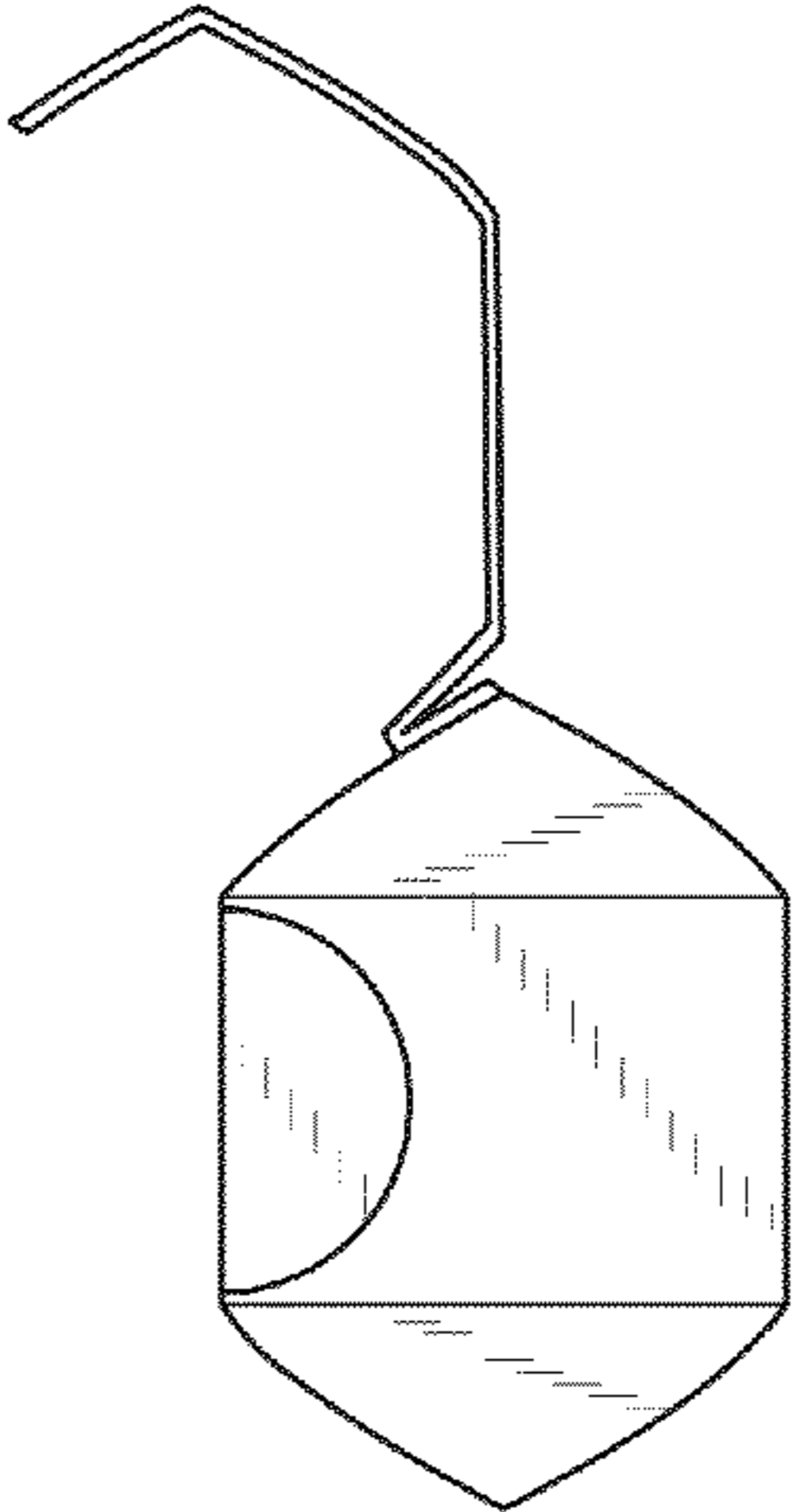


Fig. 13

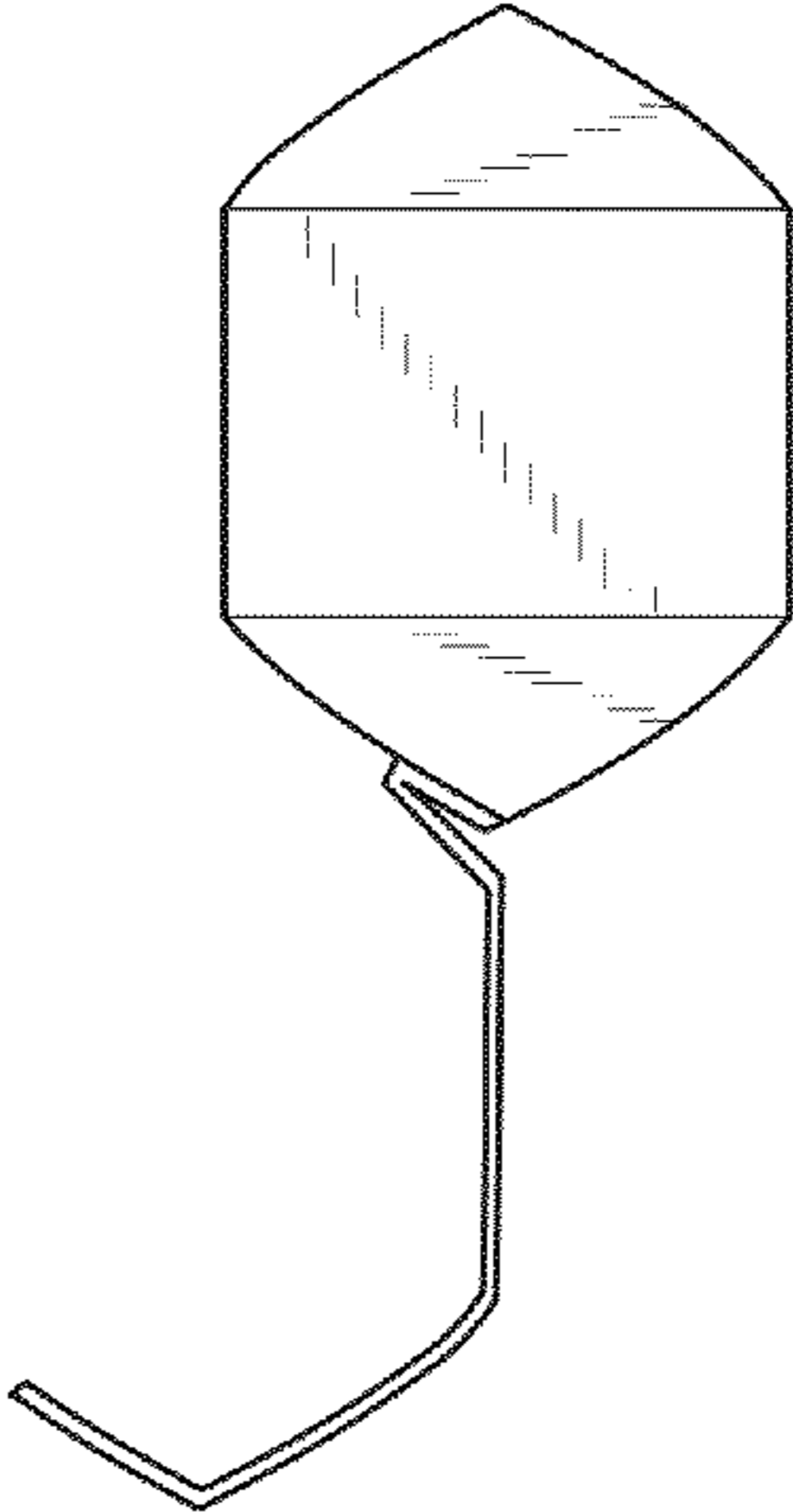


Fig. 14