



US00D697787S

(12) **United States Design Patent**  
**Garcia**

(10) **Patent No.:** **US D697,787 S**  
(45) **Date of Patent:** **\*\* Jan. 21, 2014**

- (54) **CLIP**
- (71) Applicant: **3M Innovative Properties Company**,  
St. Paul, MN (US)
- (72) Inventor: **Debora R. Garcia**, Sumare (BR)
- (73) Assignee: **3M Innovative Properties Company**,  
St. Paul, MN (US)
- (\*\*) Term: **14 Years**
- (21) Appl. No.: **29/451,150**
- (22) Filed: **Mar. 28, 2013**
- (51) **LOC (10) Cl.** ..... **08-08**
- (52) **U.S. Cl.**  
USPC ..... **D8/395**
- (58) **Field of Classification Search**  
USPC ..... D8/394-396, 72, 367, 373; D19/56, 65,  
D19/86; 24/67.3; D32/60-64; D28/40  
See application file for complete search history.

7,850,506	B2 *	12/2010	Nelson et al.	.....	446/220
D637,220	S *	5/2011	Levine	.....	D16/135
D653,828	S	2/2012	Seehoff		
D661,911	S *	6/2012	Kacines	.....	D6/323
D673,032	S *	12/2012	Tak et al.	.....	D8/395
D677,562	S *	3/2013	Kachler	.....	D8/395
2012/0240330	A1	9/2012	Fulford		

**FOREIGN PATENT DOCUMENTS**

BR	MU 6500387	3/1985
BR	MU 7101175	2/1993
BR	MU 7700483-3	12/1998
BR	MU 8300263-4	11/2004
BR	MU 8403411-4	8/2006
BR	MU 8501177-0	11/2006
BR	PI0806129-7	9/2010

\* cited by examiner

*Primary Examiner* — John Windmuller  
(74) *Attorney, Agent, or Firm* — Irina Hass

(57) **CLAIM**  
The ornamental design for a clip, as shown and described.

**DESCRIPTION**

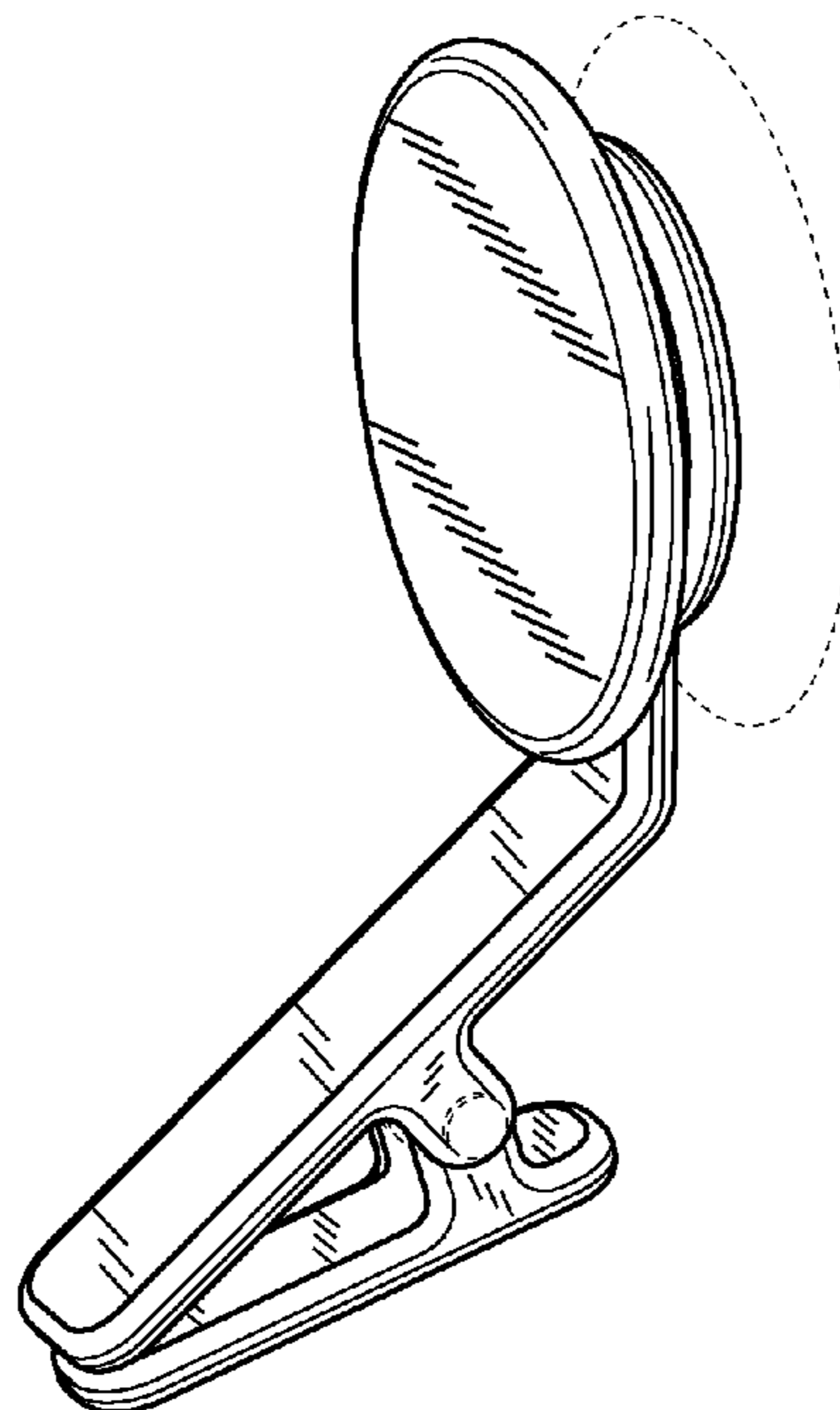
FIG. 1 is a perspective view of a clip showing the new design; FIG. 2 is a right side view thereof, the left side view being a mirror image thereof; FIG. 3 is a bottom view thereof; FIG. 4 is a top view thereof; FIG. 5 is a front view thereof; FIG. 6 is a rear view thereof; and, FIG. 7 is a perspective view thereof showing the clip with a sponge. The broken lines in the drawings are shown for illustrative purposes only and form no part of the claimed design.

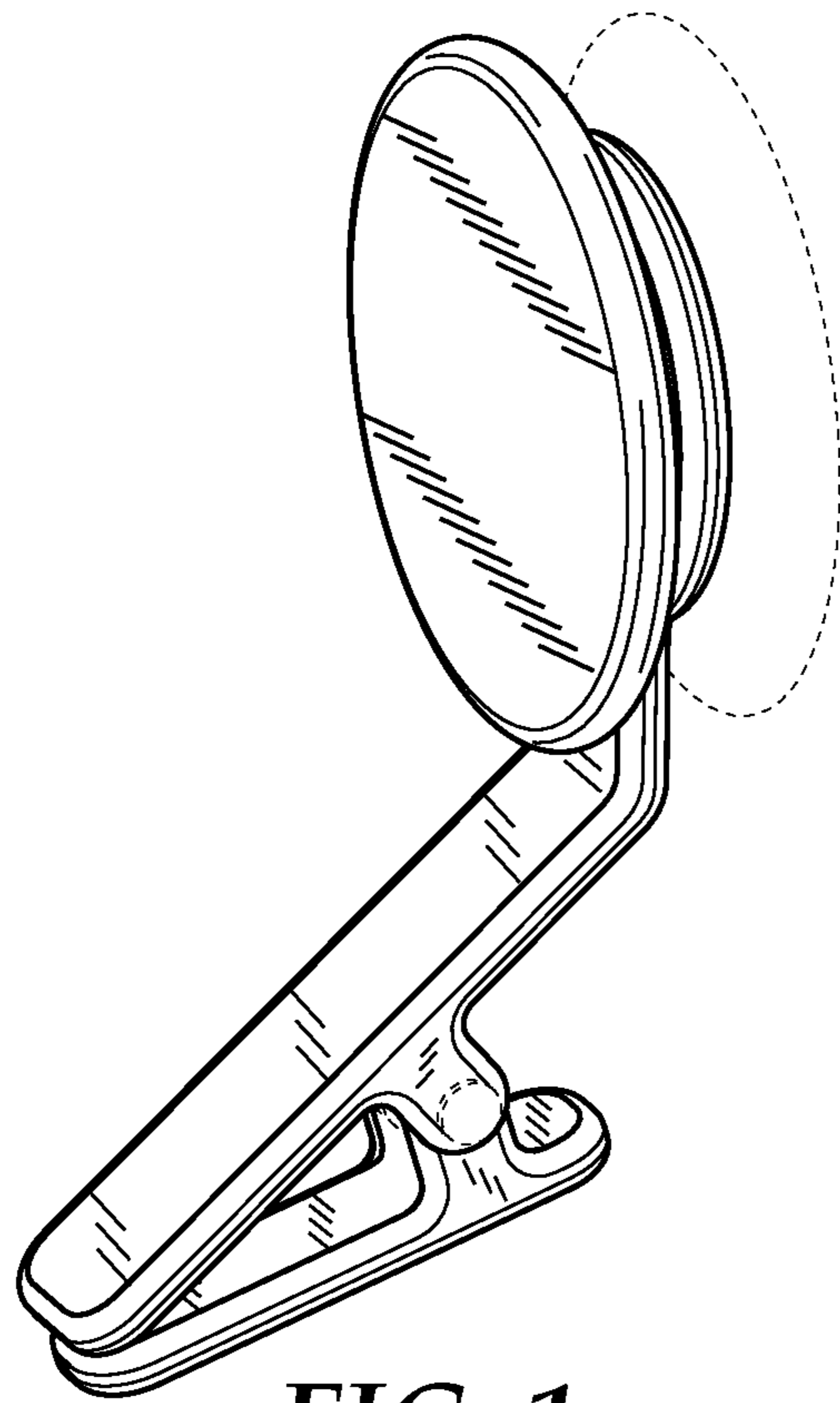
**1 Claim, 3 Drawing Sheets**

(56) **References Cited**

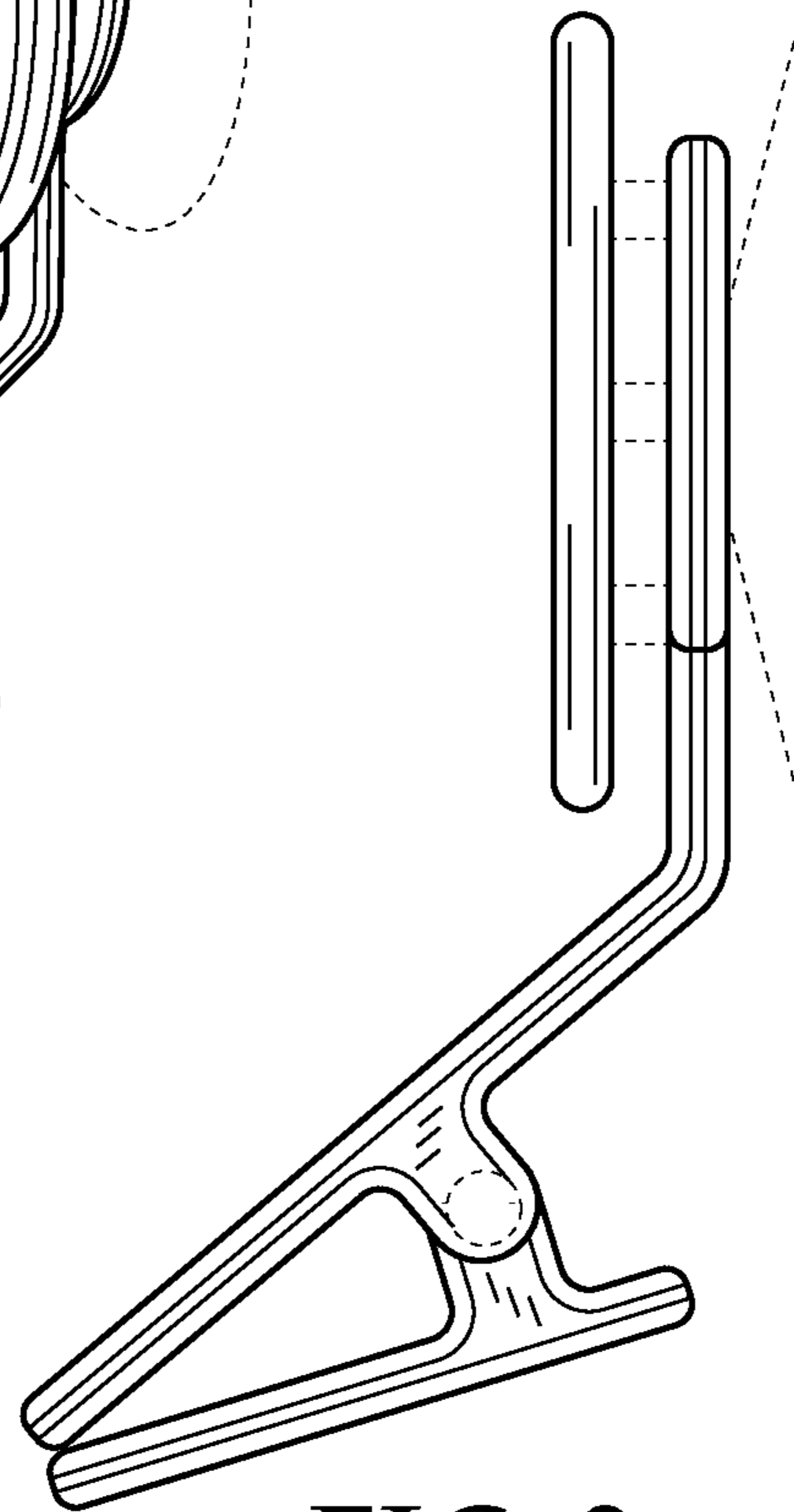
**U.S. PATENT DOCUMENTS**

462,358	A *	11/1891	Knowles	.....	24/511
641,893	A	1/1900	Roberts		
684,003	A	10/1901	Steppe		
1,052,016	A	2/1913	Schuh		
D238,853	S *	2/1976	Kruger	.....	D8/395
D295,811	S *	5/1988	Larsson	.....	D6/326
D354,873	S	1/1995	Odbert		
D481,618	S *	11/2003	Felsenthal	.....	D8/373
D520,078	S *	5/2006	Pollack	.....	D21/453
D552,461	S *	10/2007	Oas	.....	D8/395
D599,651	S *	9/2009	Riggsbee	.....	D8/395
D620,785	S *	8/2010	St. Germaine	.....	D8/395

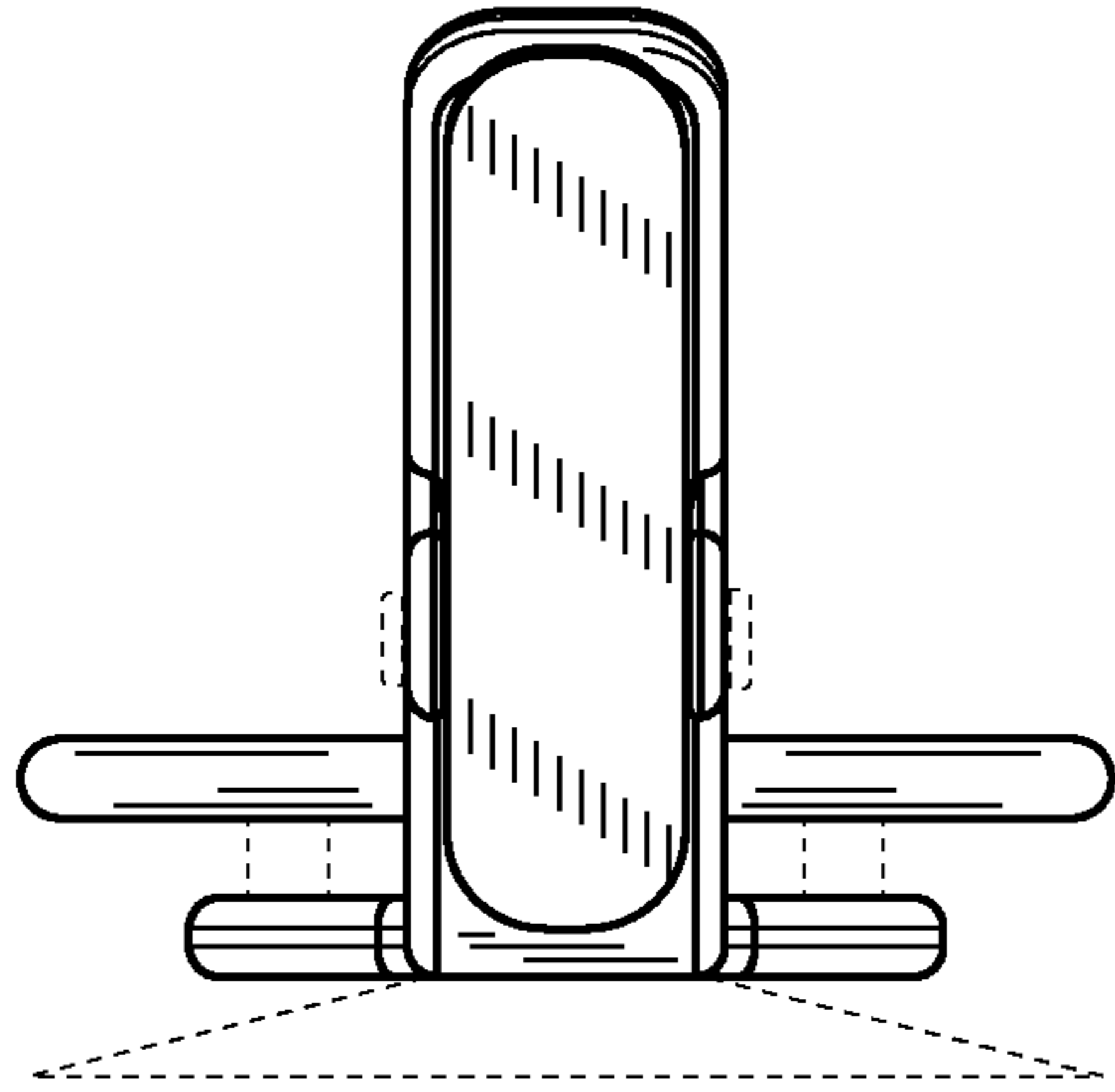




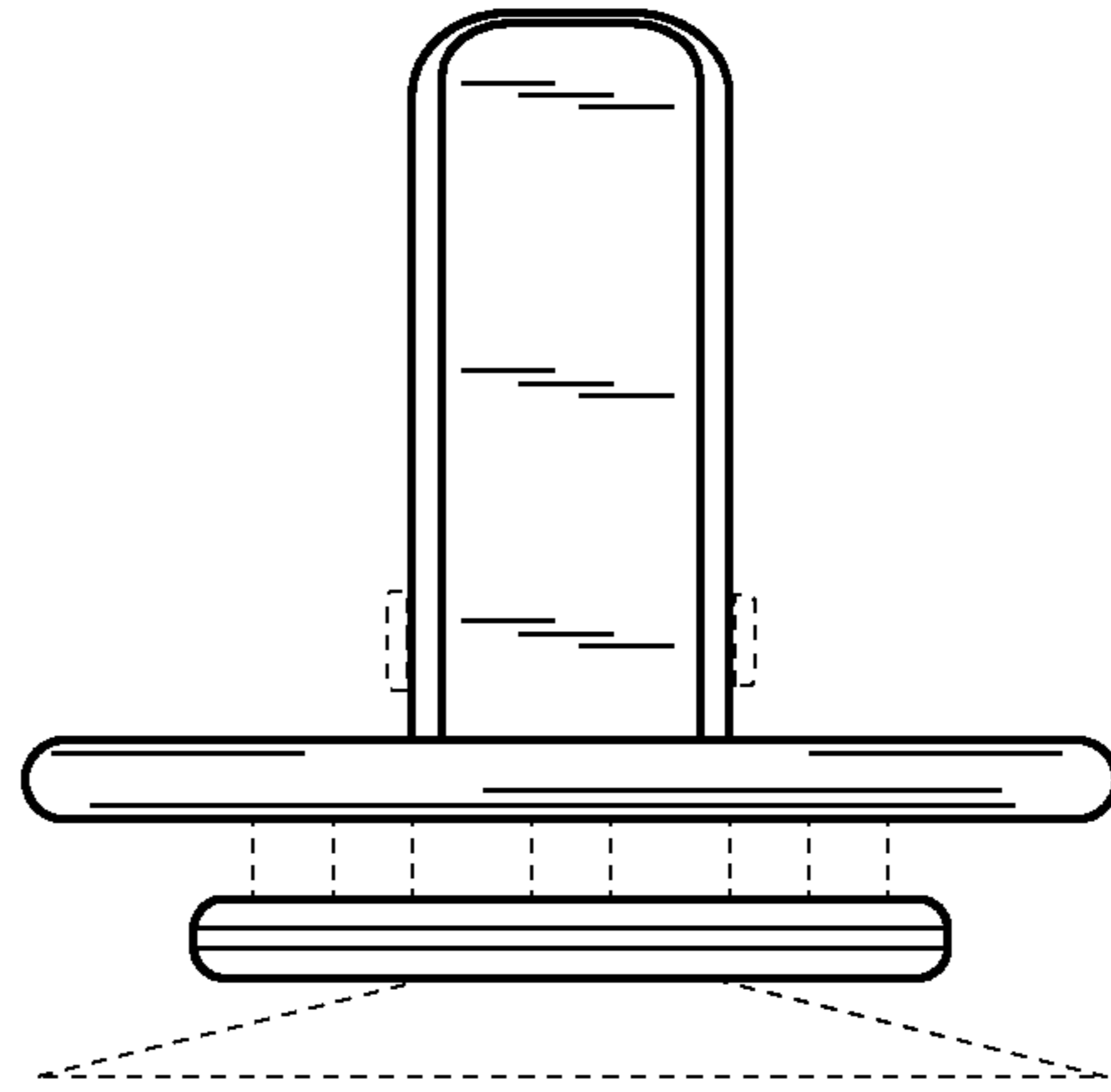
**FIG. 1**



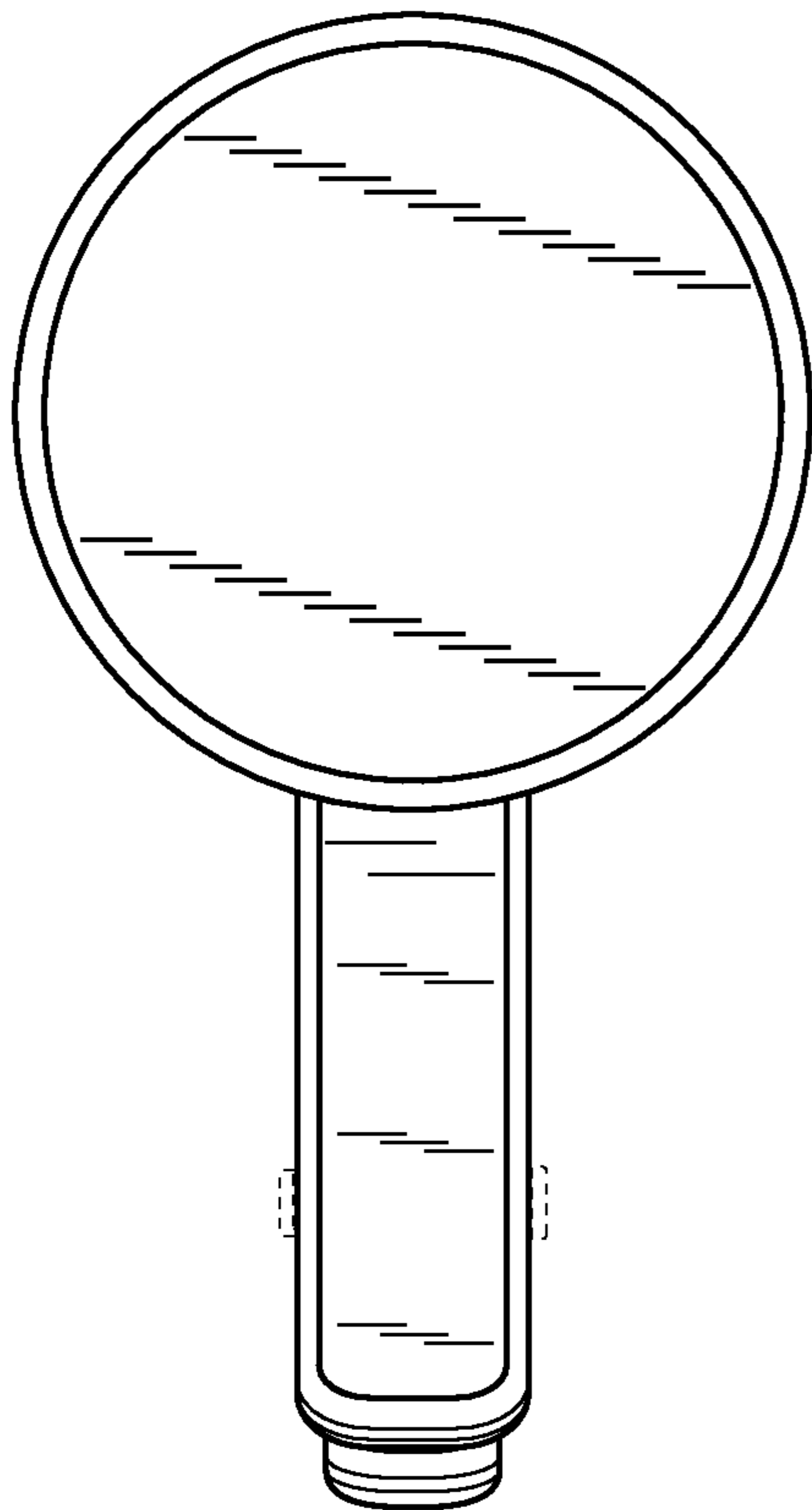
**FIG. 2**



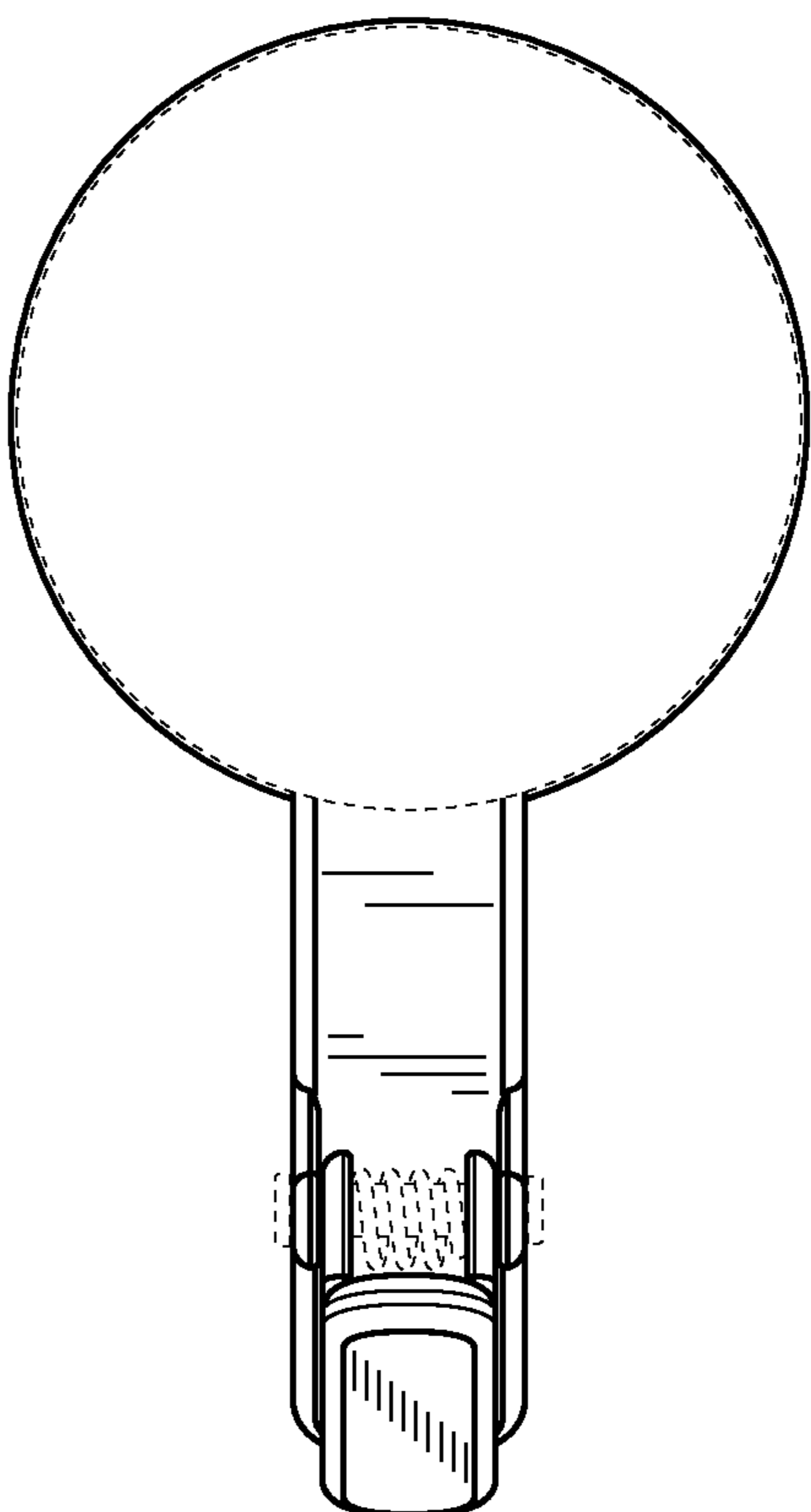
*FIG. 3*



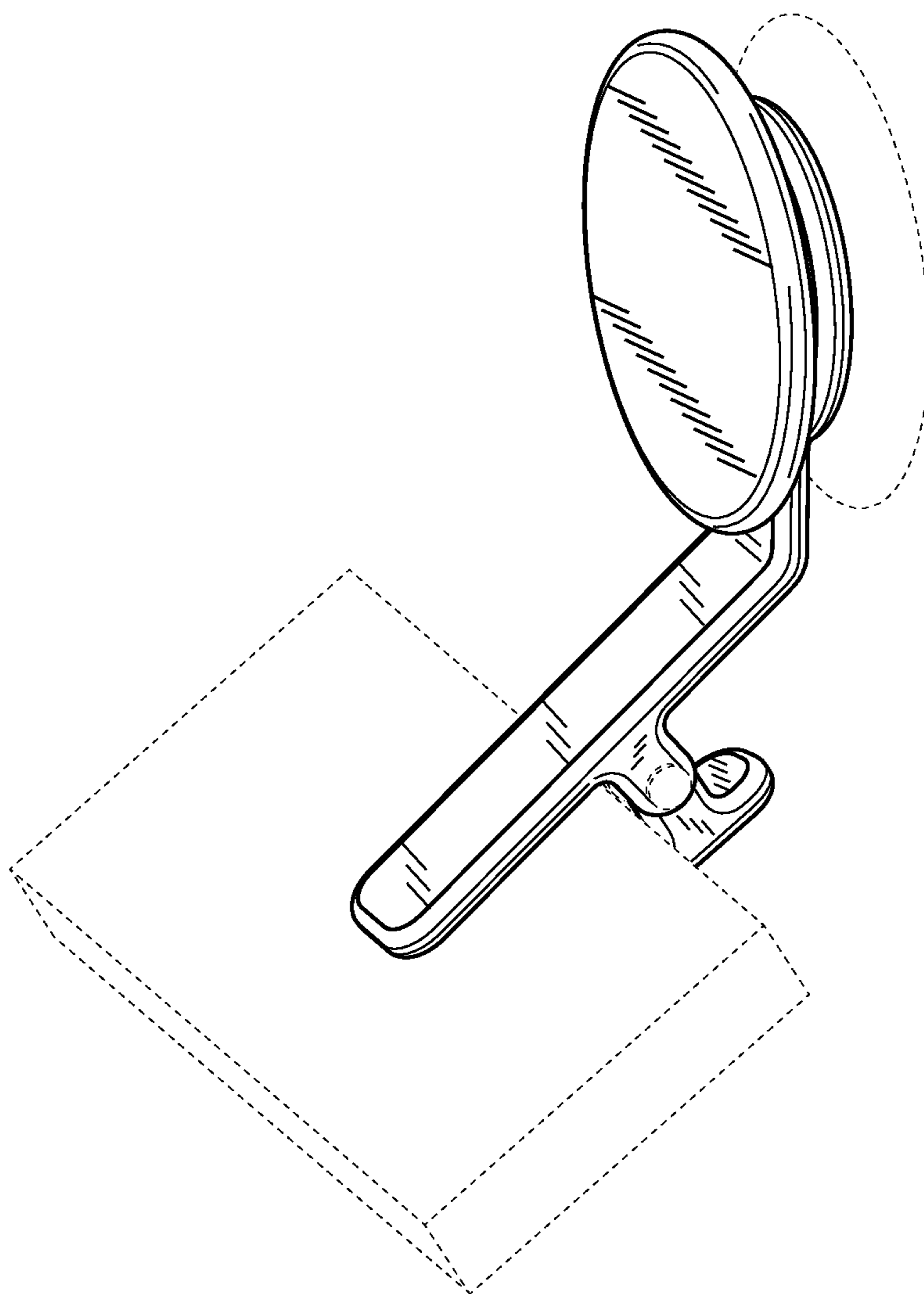
*FIG. 4*



*FIG. 5*



*FIG. 6*



**FIG. 7**