

US00D697785S

(12) **United States Design Patent**
Davis

(10) **Patent No.:** **US D697,785 S**
(45) **Date of Patent:** **** Jan. 21, 2014**

(54) **DECK HOOK**

(76) Inventor: **Matthew Davis**, Rancho Santa
Margarita, CA (US)

(**) Term: **14 Years**

(21) Appl. No.: **29/426,999**

(22) Filed: **Jul. 12, 2012**

(51) **LOC (10) Cl.** **08-05**

(52) **U.S. Cl.**
USPC **D8/367**

(58) **Field of Classification Search**

None

See application file for complete search history.

(56) **References Cited**

U.S. PATENT DOCUMENTS

D373,948 S *	9/1996	Etzel et al.	D8/367
D554,484 S *	11/2007	Dahlin	D8/367
D557,595 S *	12/2007	Ernst et al.	D8/373
D608,623 S *	1/2010	Snell	D8/367

* cited by examiner

Primary Examiner — Holly Baynham

(74) *Attorney, Agent, or Firm* — Steven W. Webb

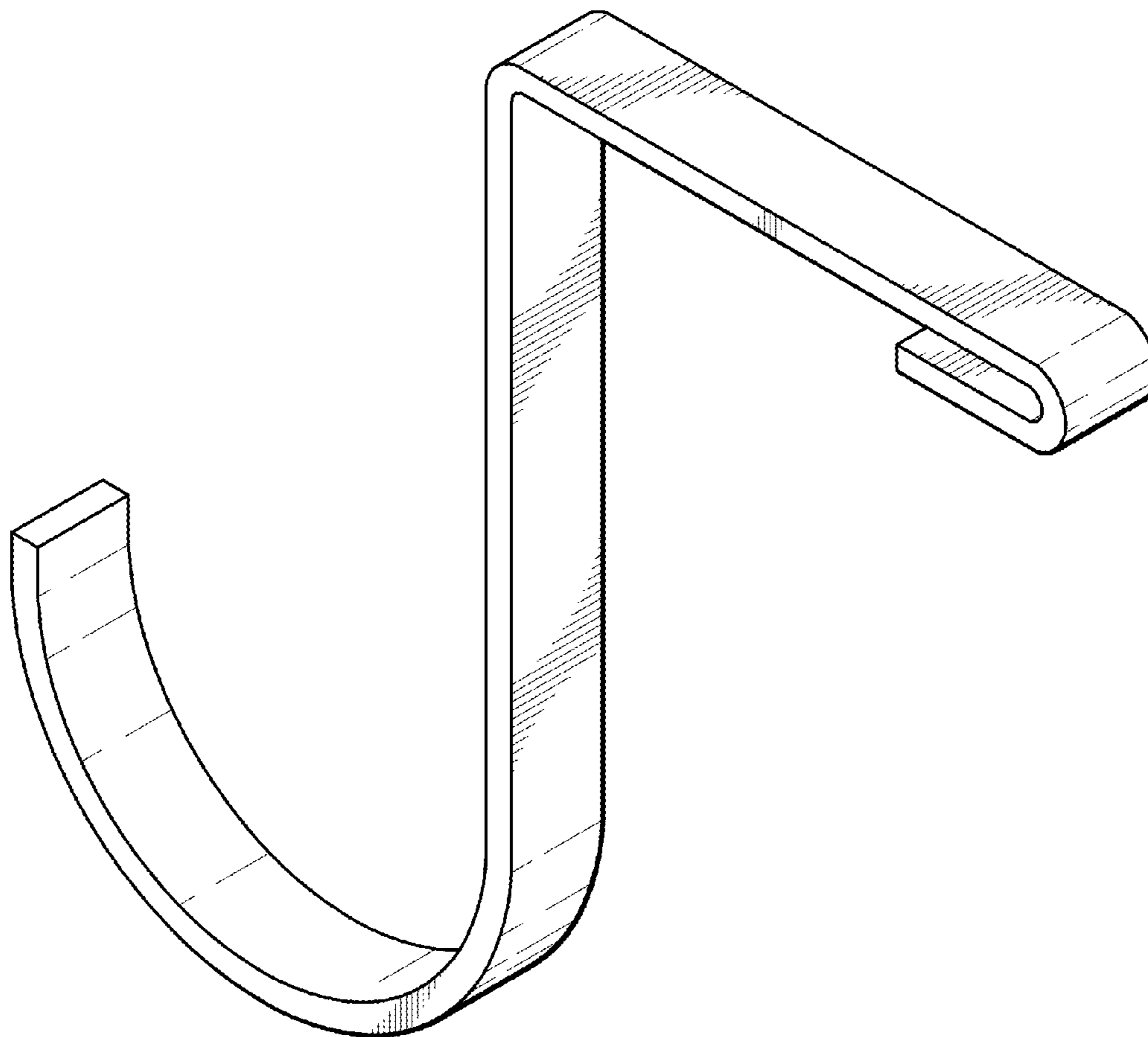
(57) **CLAIM**

I claim the ornamental design for the deck hook, as shown and described.

DESCRIPTION

FIG. 1 is a perspective view of the deck hook.
FIG. 2 is a side view of the deck hook.
FIG. 3 is the end view of the deck hook.
FIG. 4 is the other end view of the deck hook.
FIG. 5 is the top view of the deck hook; and,
FIG. 6 is the bottom view of the deck hook.

1 Claim, 2 Drawing Sheets



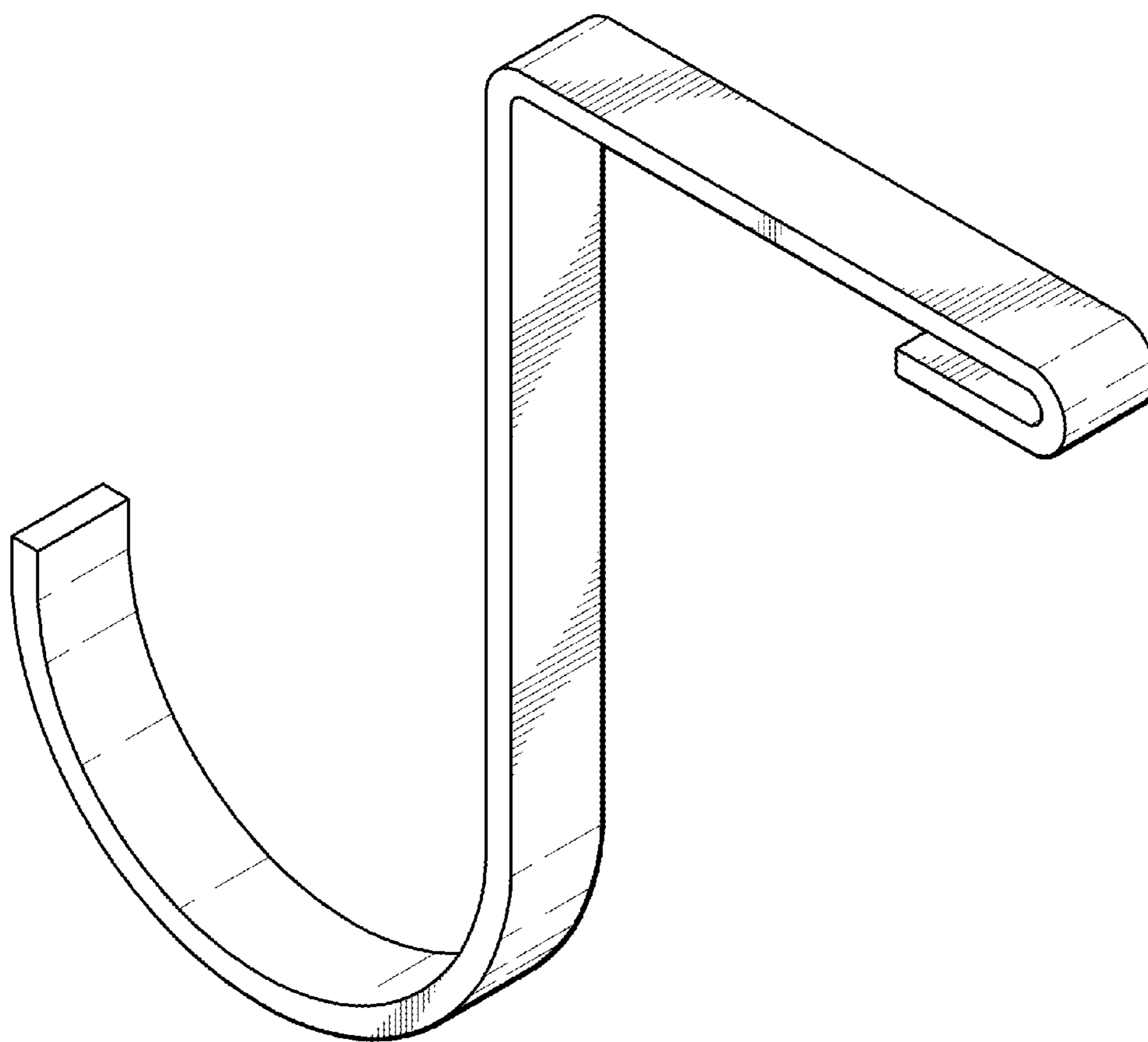


FIG. 1

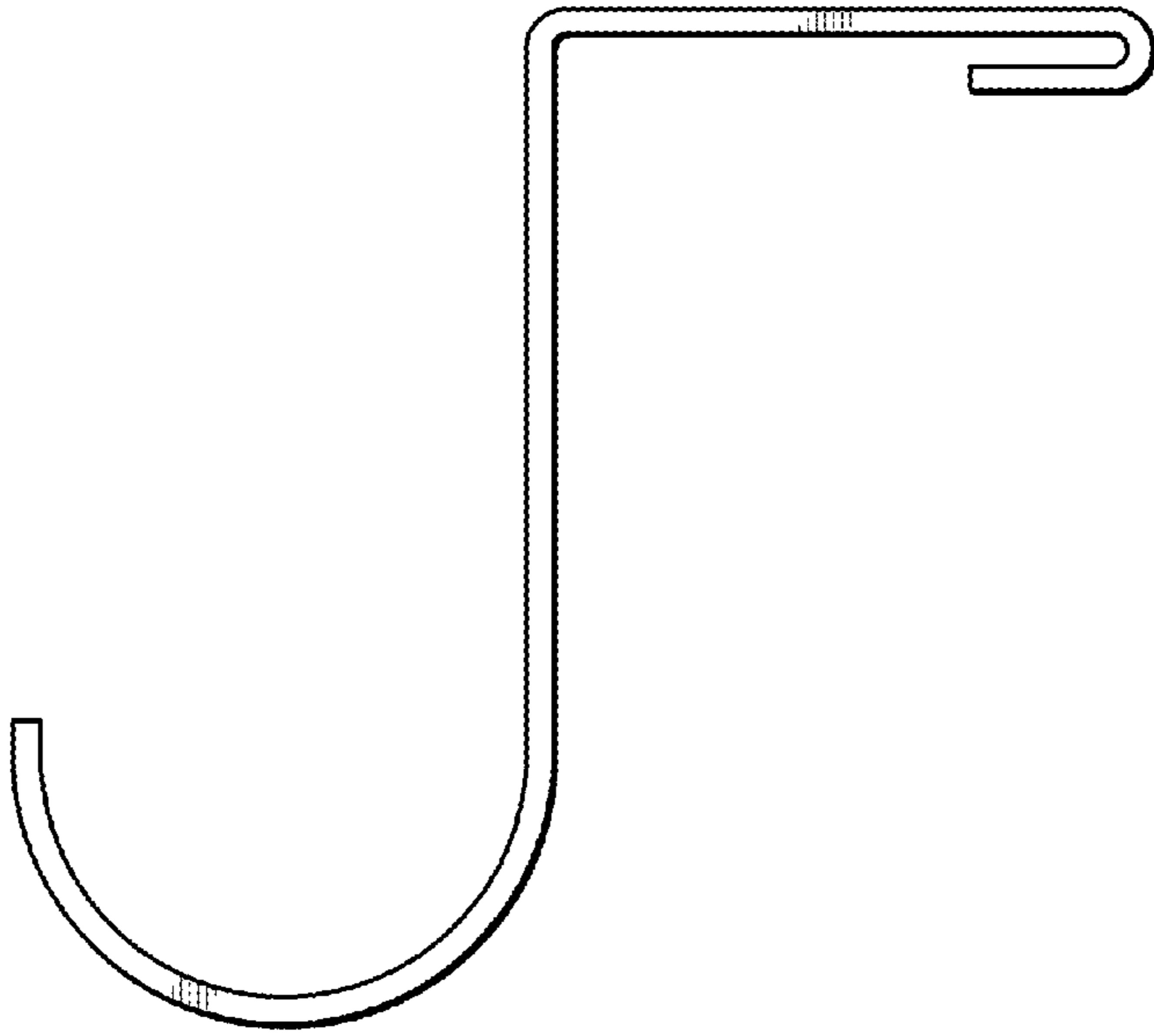


FIG. 2



FIG. 3 FIG. 4

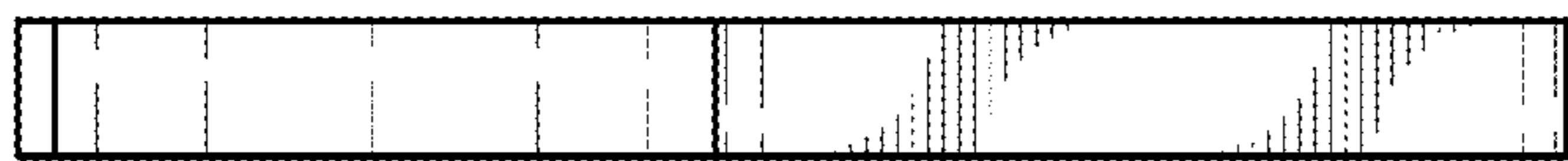


FIG. 5



FIG. 6