

US00D697784S

(12) **United States Design Patent**
Lavelle et al.

(10) **Patent No.:** **US D697,784 S**
(45) **Date of Patent:** **** Jan. 21, 2014**

- (54) **HOSE GRIPPING APPARATUS**
 - (71) Applicant: **Edison Nation, LLC**, Charlotte, NC (US)
 - (72) Inventors: **Peter Lavelle**, Wilbraham, MA (US); **Thomas James Philpott**, Charlotte, NC (US); **Scott Dromms**, Waxhaw, NC (US); **Jeff Browning**, Charlotte, NC (US)
 - (73) Assignee: **Edison Nation, LLC**, Charlotte, NC (US)
 - (**) Term: **14 Years**
 - (21) Appl. No.: **29/446,142**
 - (22) Filed: **Feb. 20, 2013**
 - (51) **LOC (10) Cl.** **08-05**
 - (52) **U.S. Cl.**
USPC **D8/356**
 - (58) **Field of Classification Search**
USPC D8/356, 383, 354, 349, 372, 367, 1, D8/382, 395, 360.1; 70/456 R, 59; D16/219; 24/115 R, 115 G, 136 R, 24/115 M, 592.11, 599.1, 588.1, 601.5, 24/601, 599.9, 598.1, 452, 599.6, 129 R, 24/600.9; D11/221, 212, 210; D2/978; 351/156, 157; D3/32; 63/8, 7, 12, 15, 63/1.14; D12/317; D6/323; 248/301-304, 248/175, 63; 402/35; 114/218, 114; 294/137, 158, 82.19; 410/101; 182/3; D9/752; D19/32
- See application file for complete search history.

D470,034 S *	2/2003	Wu et al.	D8/356
D473,448 S *	4/2003	Wu et al.	D8/356
D477,770 S *	7/2003	Baker et al.	D8/373
D487,536 S *	3/2004	Ågren	D32/31
D488,372 S *	4/2004	Gambrell	D8/356
D497,305 S *	10/2004	Perri et al.	D8/356
D497,793 S *	11/2004	Votypka	D8/356
D512,904 S *	12/2005	Thaler	D8/356
7,249,728 B2 *	7/2007	Williamson	242/566
D576,406 S *	9/2008	Chan	D3/318
D605,032 S *	12/2009	Bushey	D8/402
D625,986 S *	10/2010	Kolasa	D8/356
D628,465 S *	12/2010	Hernandez	D8/356
D629,671 S *	12/2010	Ohuri et al.	D8/356
D646,555 S *	10/2011	Galle	D8/356
D671,392 S *	11/2012	Von Euler	D8/356
D674,380 S *	1/2013	Soekoro	D14/250

* cited by examiner

Primary Examiner — Cynthia Underwood
(74) *Attorney, Agent, or Firm* — Tillman Wright, PLLC; James D. Wright; David R. Higgins

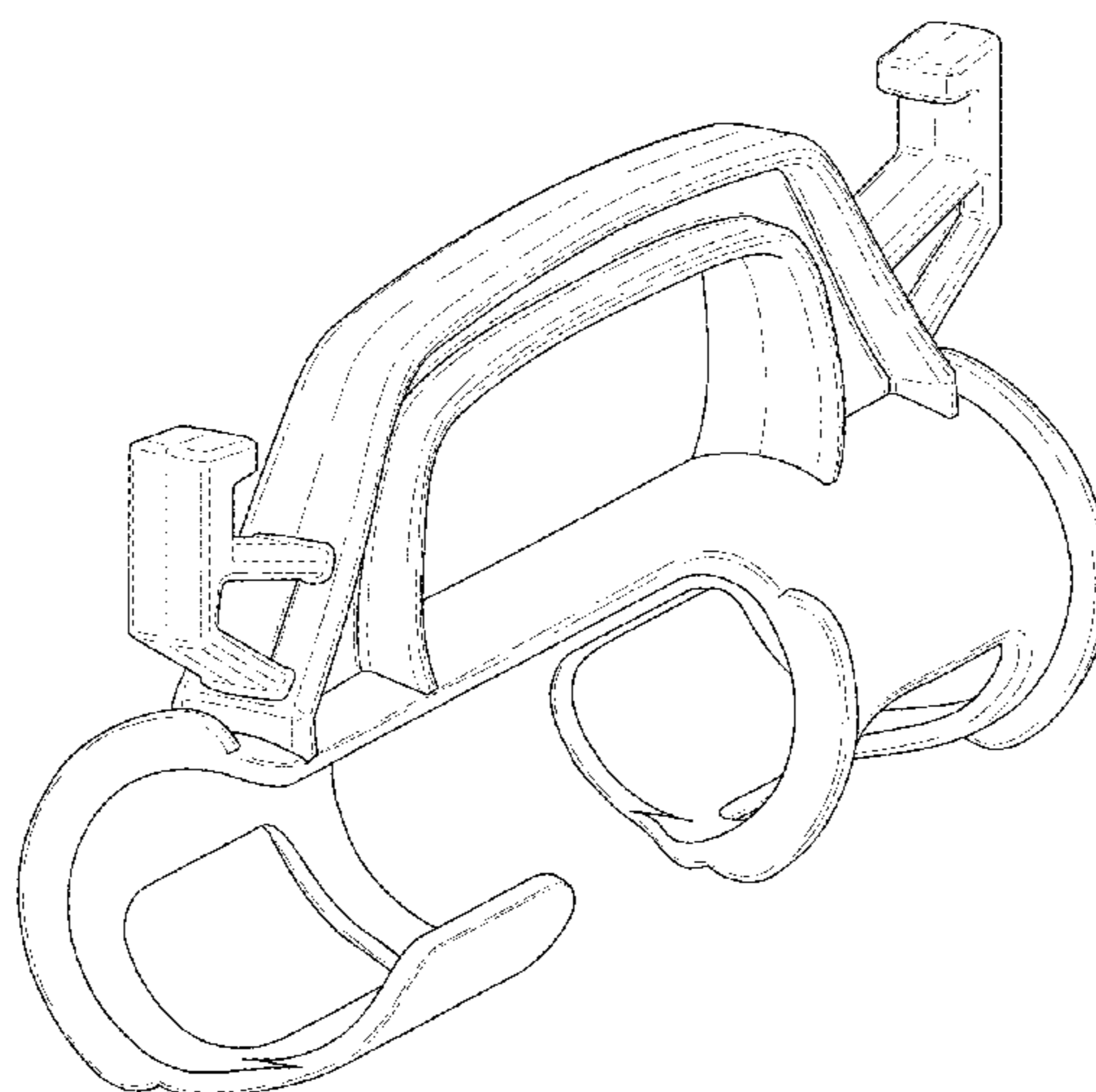
(57) **CLAIM**
The ornamental design for a hose gripping apparatus, as shown.

DESCRIPTION

FIG. 1 is a front perspective view of the design for a hose gripping apparatus in accordance with a preferred embodiment of the present invention;
FIG. 2 is a right side view of the hose gripping apparatus of FIG. 1;
FIG. 3 is a left side view of the hose gripping apparatus of FIG. 1;
FIG. 4 is a top view of the hose gripping apparatus of FIG. 1;
FIG. 5 is a bottom view of the hose gripping apparatus of FIG. 1;
FIG. 6 is a front view of the hose gripping apparatus of FIG. 1; and,
FIG. 7 is a rear view of the hose gripping apparatus of FIG. 1.

1 Claim, 7 Drawing Sheets

- (56) **References Cited**
U.S. PATENT DOCUMENTS
- | | | | |
|--------------|--------|-----------------------|--------|
| D408,269 S * | 4/1999 | Ross | D8/356 |
| D411,950 S * | 7/1999 | Dinh et al. | D8/356 |
| D459,194 S * | 6/2002 | Johansson et al. | D8/356 |



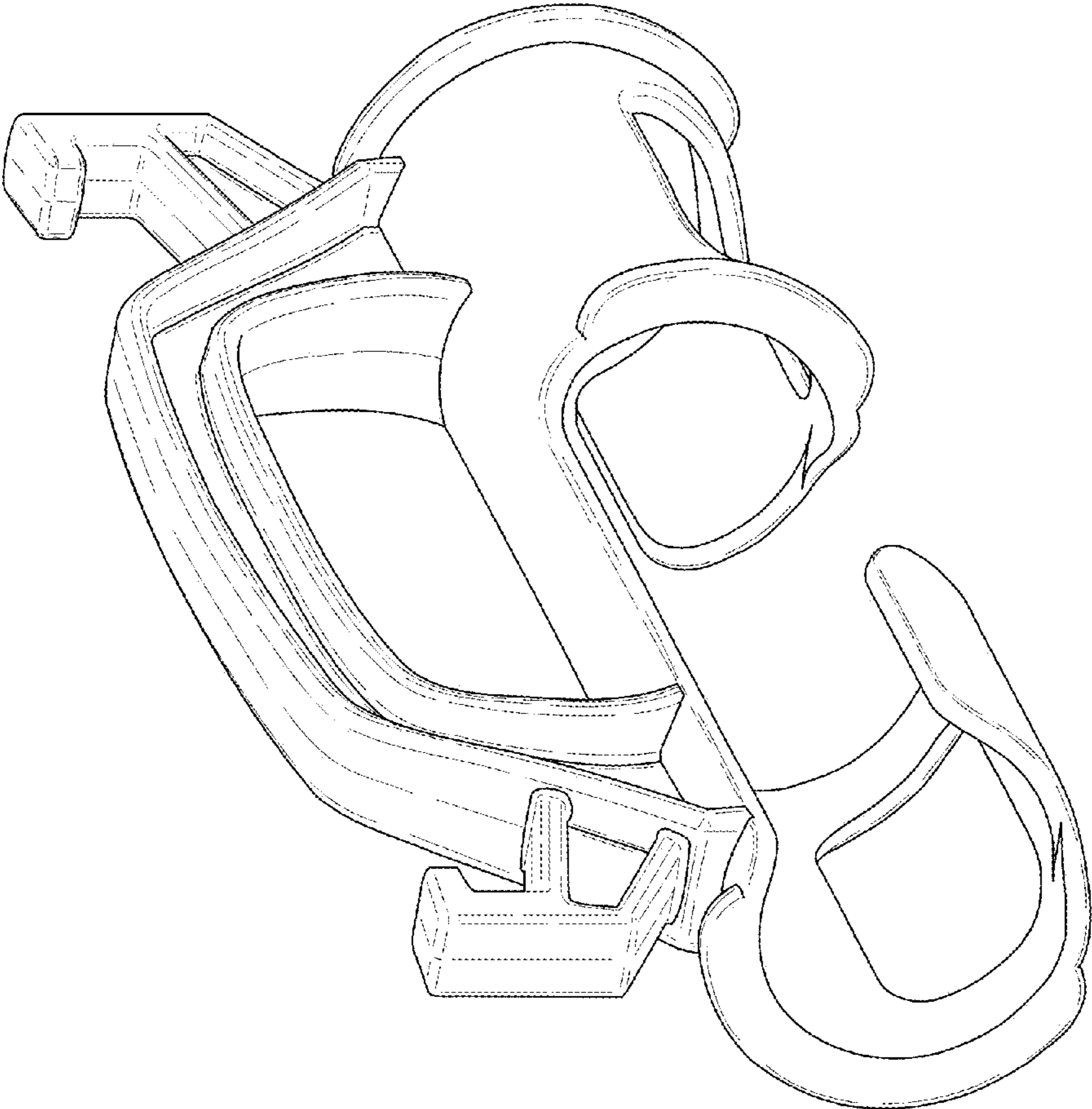


FIG. 1

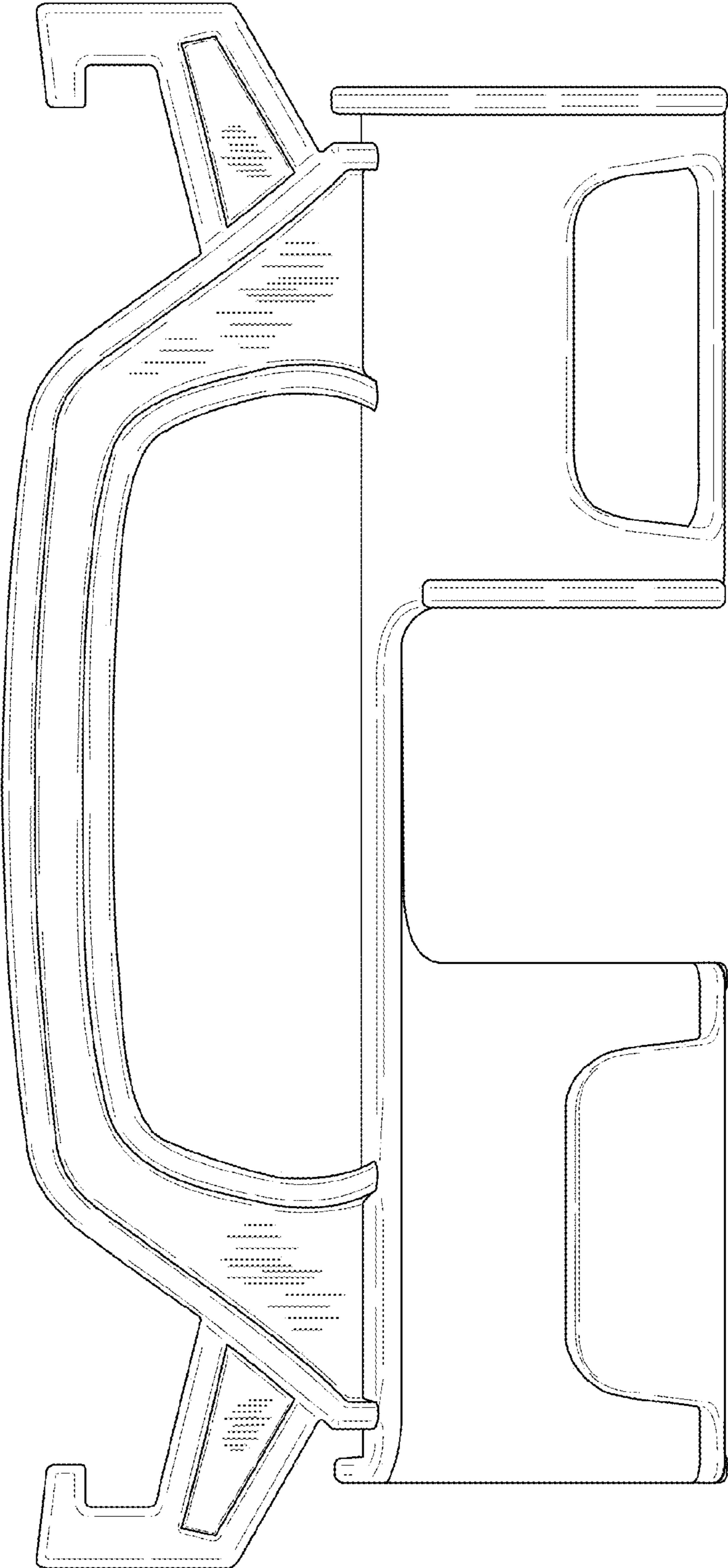


FIG. 2

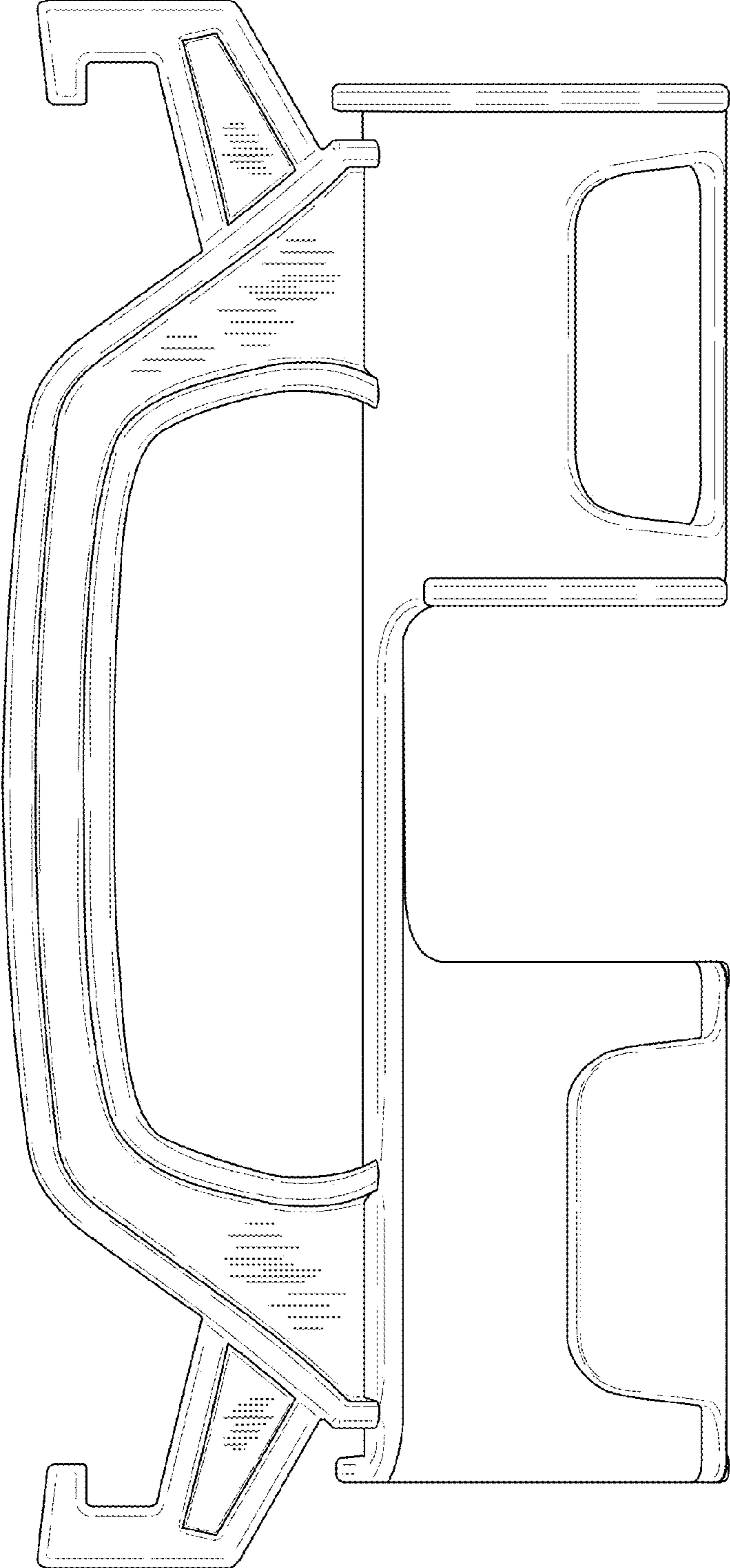


FIG. 3

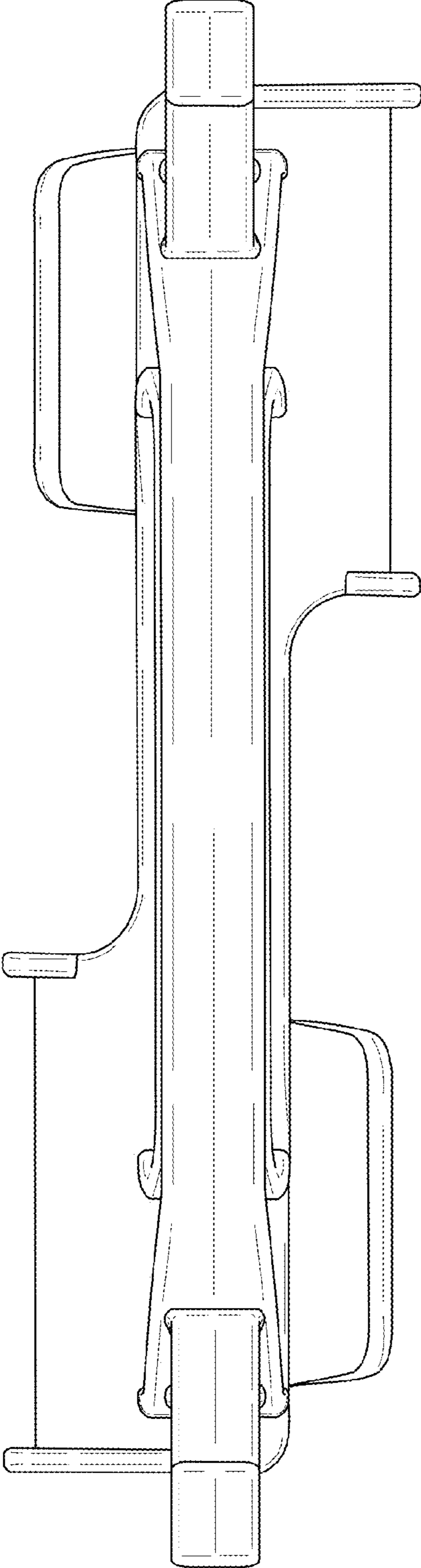


FIG. 4

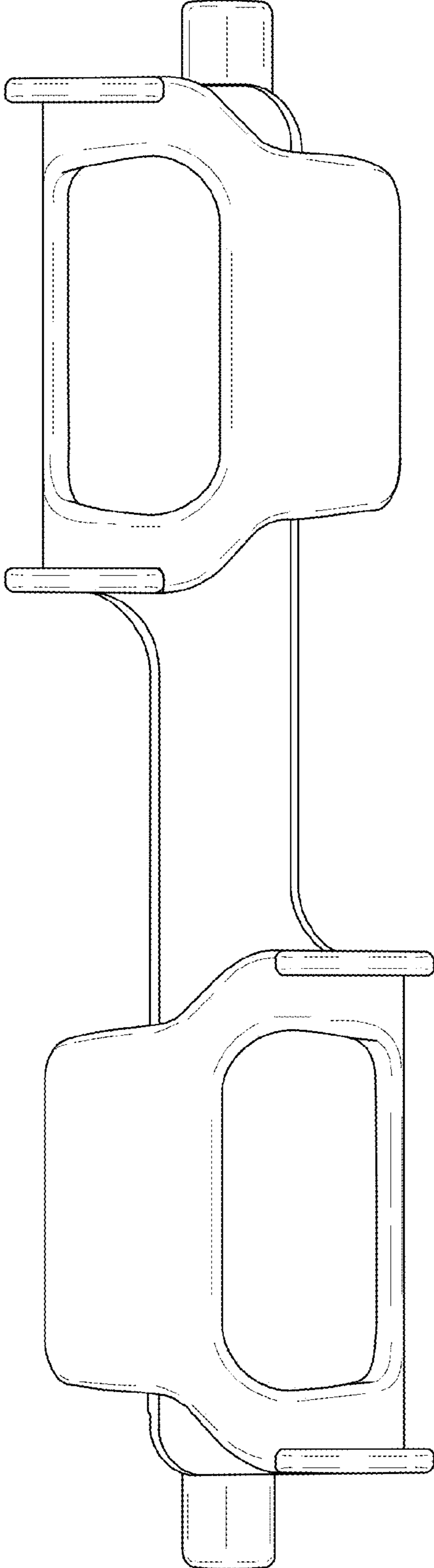


FIG. 5

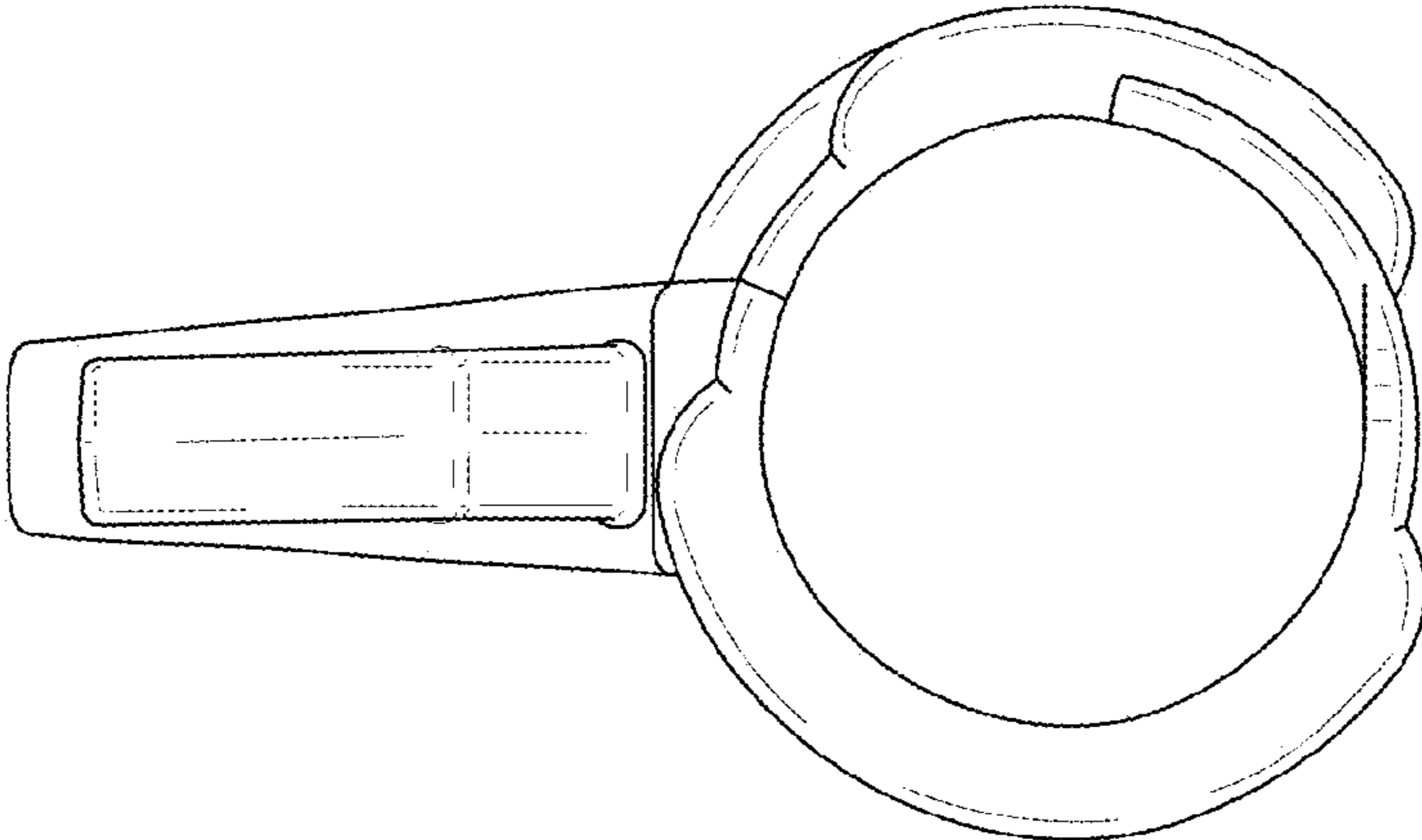


FIG. 6

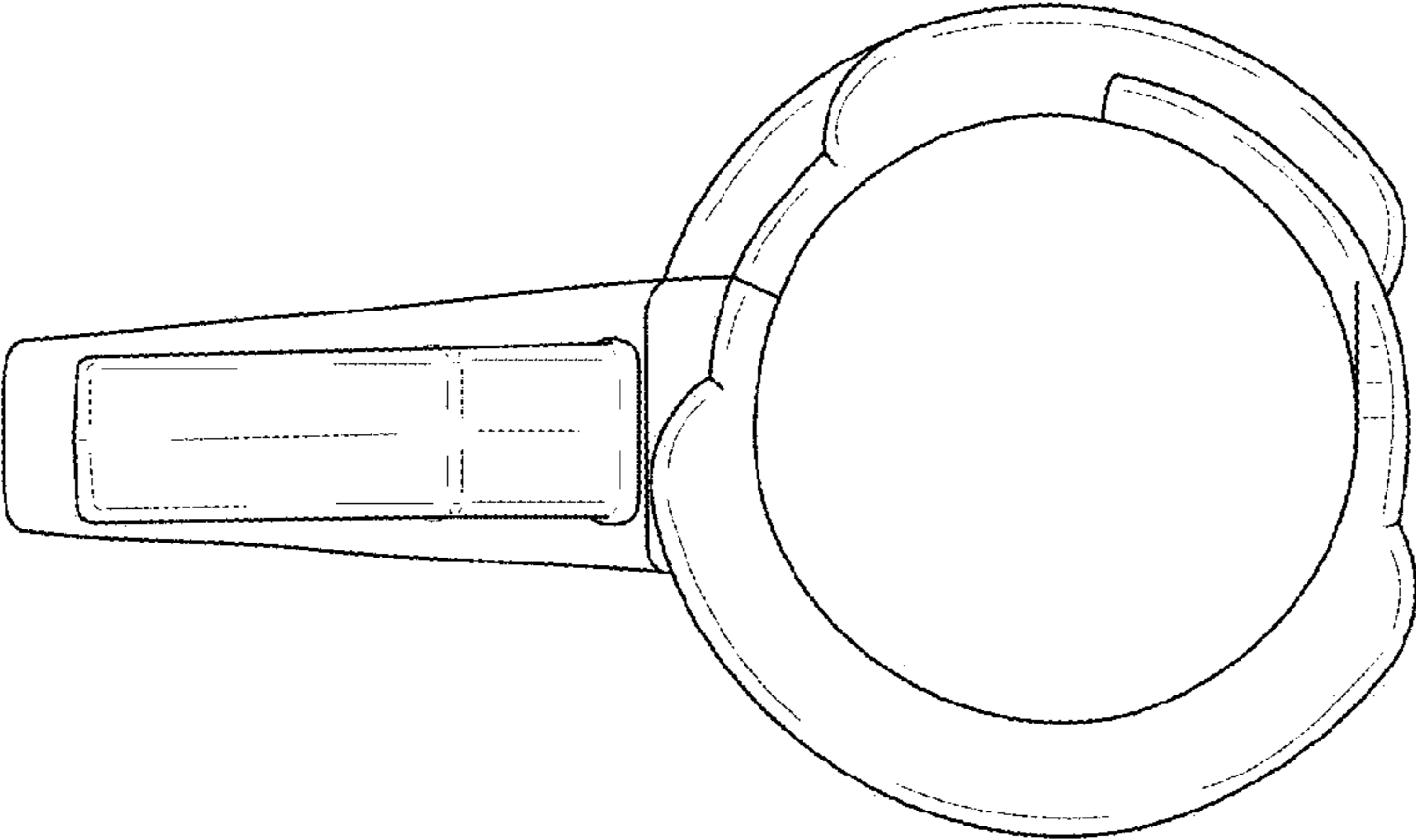


FIG. 7