



US00D697773S

(12) **United States Design Patent**
Groten et al.

(10) **Patent No.:** **US D697,773 S**
(45) **Date of Patent:** **** Jan. 21, 2014**

(54) **TUBE CUTTERS**

(71) Applicant: **Zenten Bernhard Groten, S.L.**, Irun (ES)

(72) Inventors: **Alberto Groten**, Irun (ES); **Manuel Aizpurua**, Irun (ES)

(73) Assignee: **Zenton Bernhard Groten, S.L.**, Irun (Guipuzcoa) (ES)

(**) Term: **14 Years**

(21) Appl. No.: **29/444,026**

(22) Filed: **Jan. 25, 2013**

(30) **Foreign Application Priority Data**

Jul. 30, 2012 (EM) 002080986-0001

(51) **LOC (10) CL.** **08-03**

(52) **U.S. CL.**
USPC **D8/60**

(58) **Field of Classification Search**
USPC D8/1, 4, 5, 14, 51-60, 107; 30/92-108,
30/249-251

See application file for complete search history.

(56) **References Cited**

U.S. PATENT DOCUMENTS

D161,438 S *	1/1951	Franck	D8/60
2,630,029 A *	3/1953	Franck	408/186
D192,447 S *	3/1962	Ayer	D8/60
4,084,317 A	4/1978	Nakamura et al.		
D252,666 S	8/1979	Sakamoto		
RE30,613 E	5/1981	Nakamura et al.		
D270,514 S	9/1983	Muromoto		
D270,808 S *	10/1983	Wolcott	D8/60
D384,869 S	10/1997	Aubriot		
D423,895 S	5/2000	Azkona		
6,098,291 A	8/2000	Wang		

D431,765 S *	10/2000	Huang	D8/60
D449,208 S	10/2001	Ping		
6,305,087 B1	10/2001	Huang		
6,393,700 B1 *	5/2002	Babb	30/102
6,513,245 B1	2/2003	Aubriot		
D497,784 S	11/2004	Picaza		
7,127,819 B1	10/2006	Huang		
D569,702 S *	5/2008	Groten	D8/60
D574,678 S	8/2008	Lin		
D581,233 S	11/2008	Sullivan		
D612,221 S	3/2010	Groten et al.		
D675,499 S *	2/2013	Faucher	D8/60
8,413,336 B2 *	4/2013	Chiu et al.	30/101
2008/0141538 A1	6/2008	Nandkumar et al.		
2008/0307657 A1	12/2008	Macsay et al.		

OTHER PUBLICATIONS

Zenten Bernhard Groten S.L., Zenten Bernhard Groten S.L. Professional Tools, catalog, 2007, Spain.

* cited by examiner

Primary Examiner — Deanna L Pratt

(74) *Attorney, Agent, or Firm* — Cook Alex Ltd.

(57) **CLAIM**

The ornamental design for the tube cutters, as shown and described.

DESCRIPTION

FIG. 1 is a perspective view of a tube cutters showing our new design;

FIG. 2 is a second perspective view of a tube cutters showing our new design taken from the opposite side to FIG. 1;

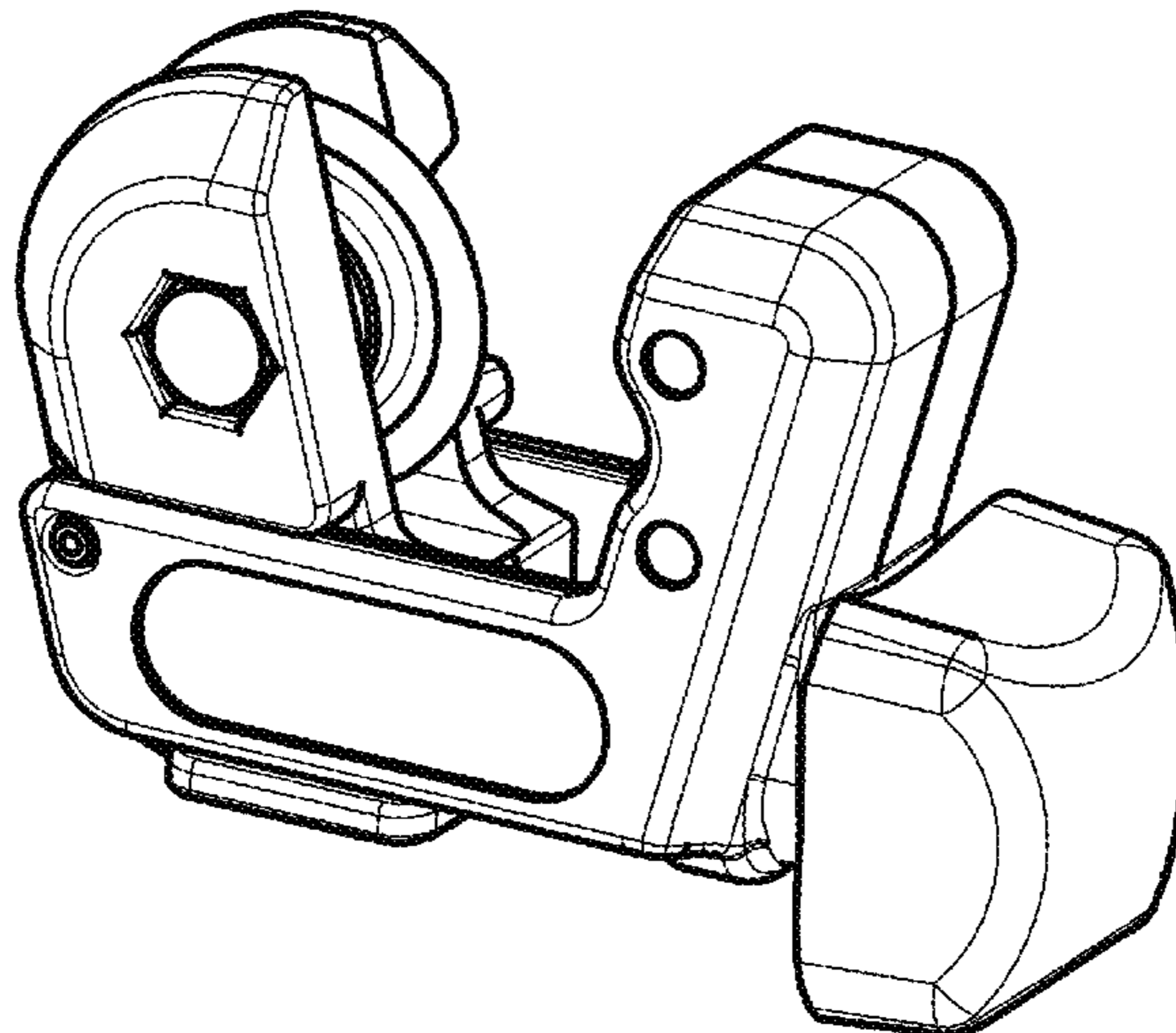
FIG. 3 is an elevational view taken from the right-hand side of FIG. 1;

FIG. 4 is an elevational view taken from the right-hand side of FIG. 2;

FIG. 5 is an elevational view taken from the bottom of FIG. 1; and,

FIG. 6 is an elevational view taken from the top of FIG. 1.

1 Claim, 4 Drawing Sheets



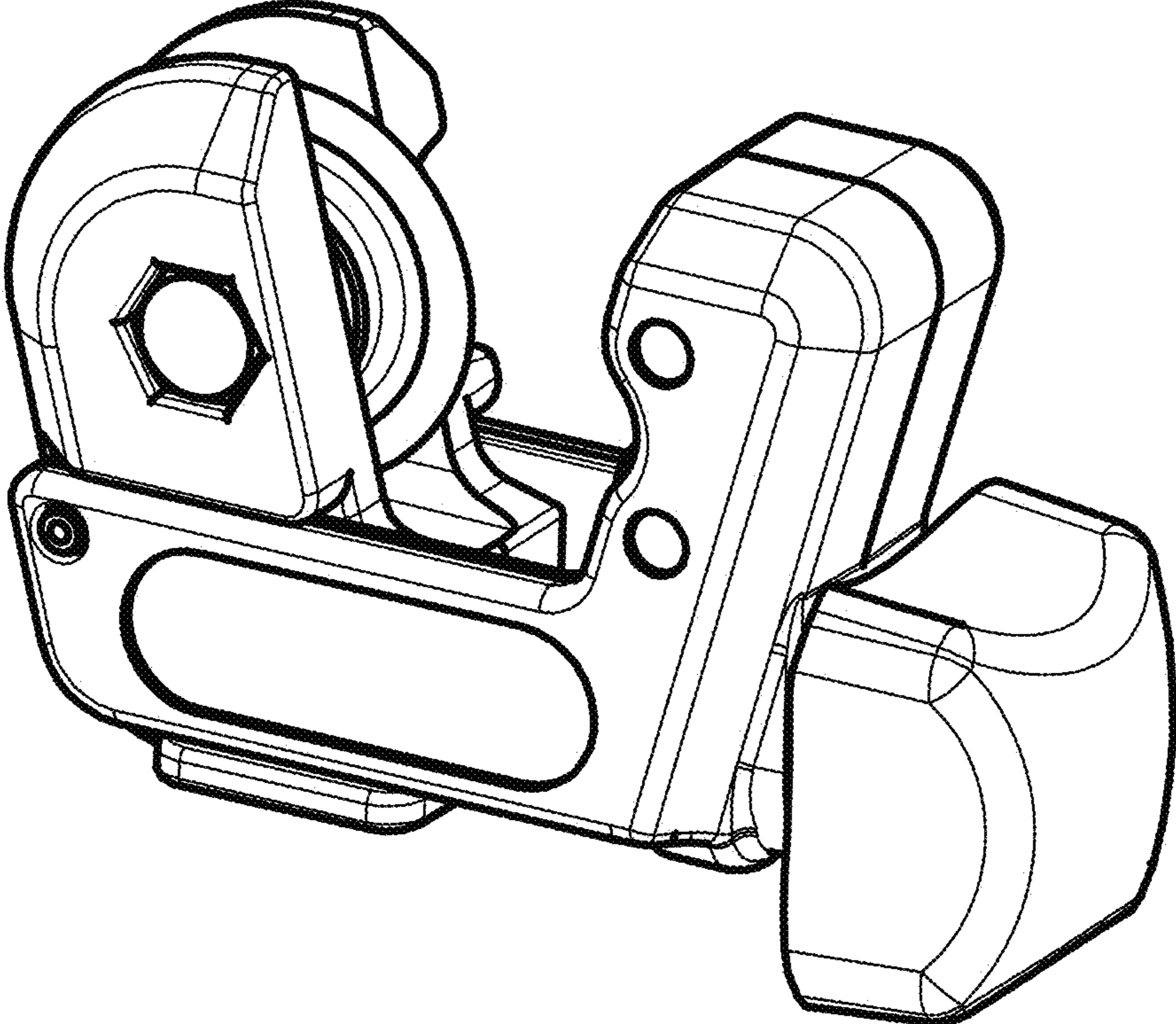


FIG. 1

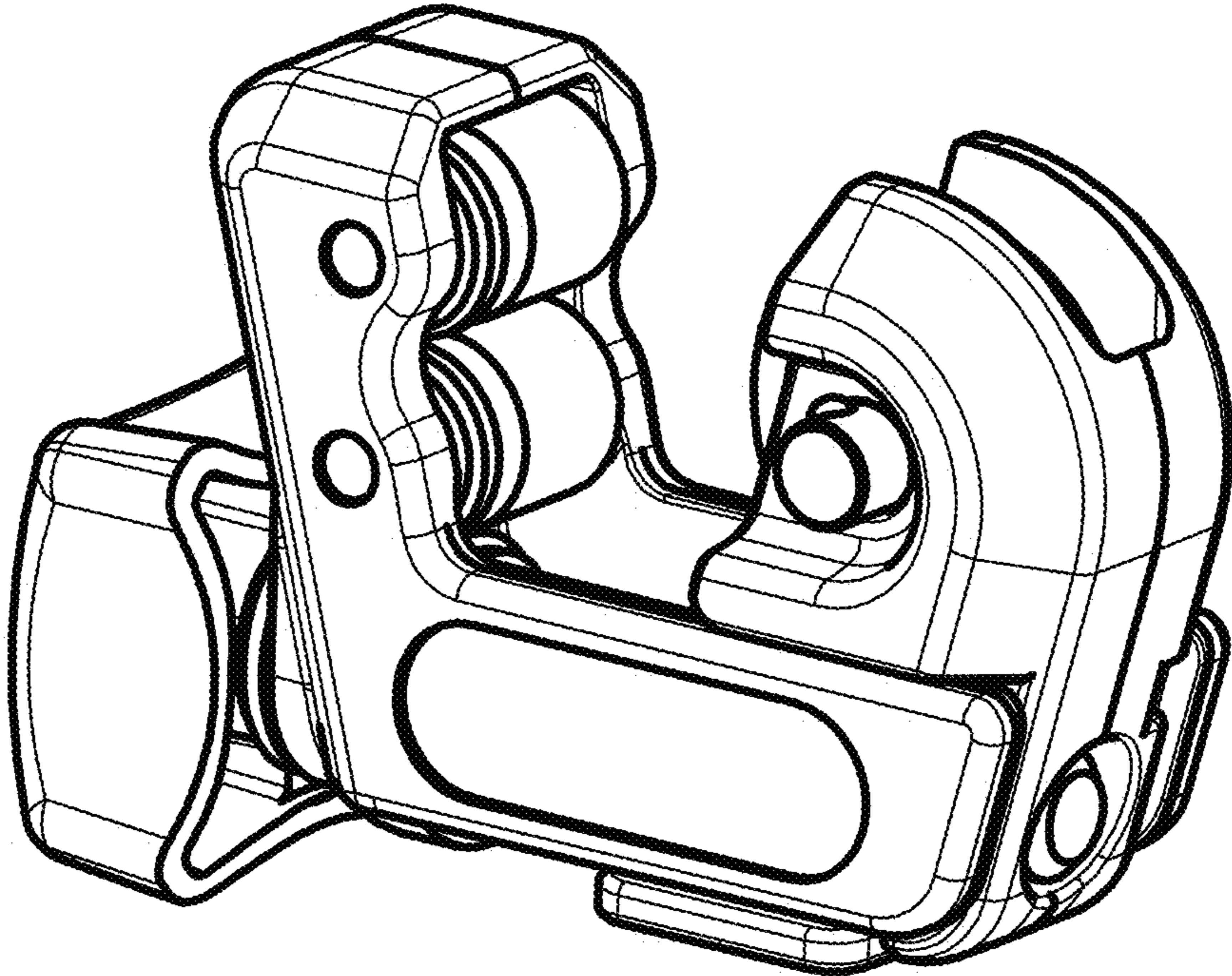


FIG. 2

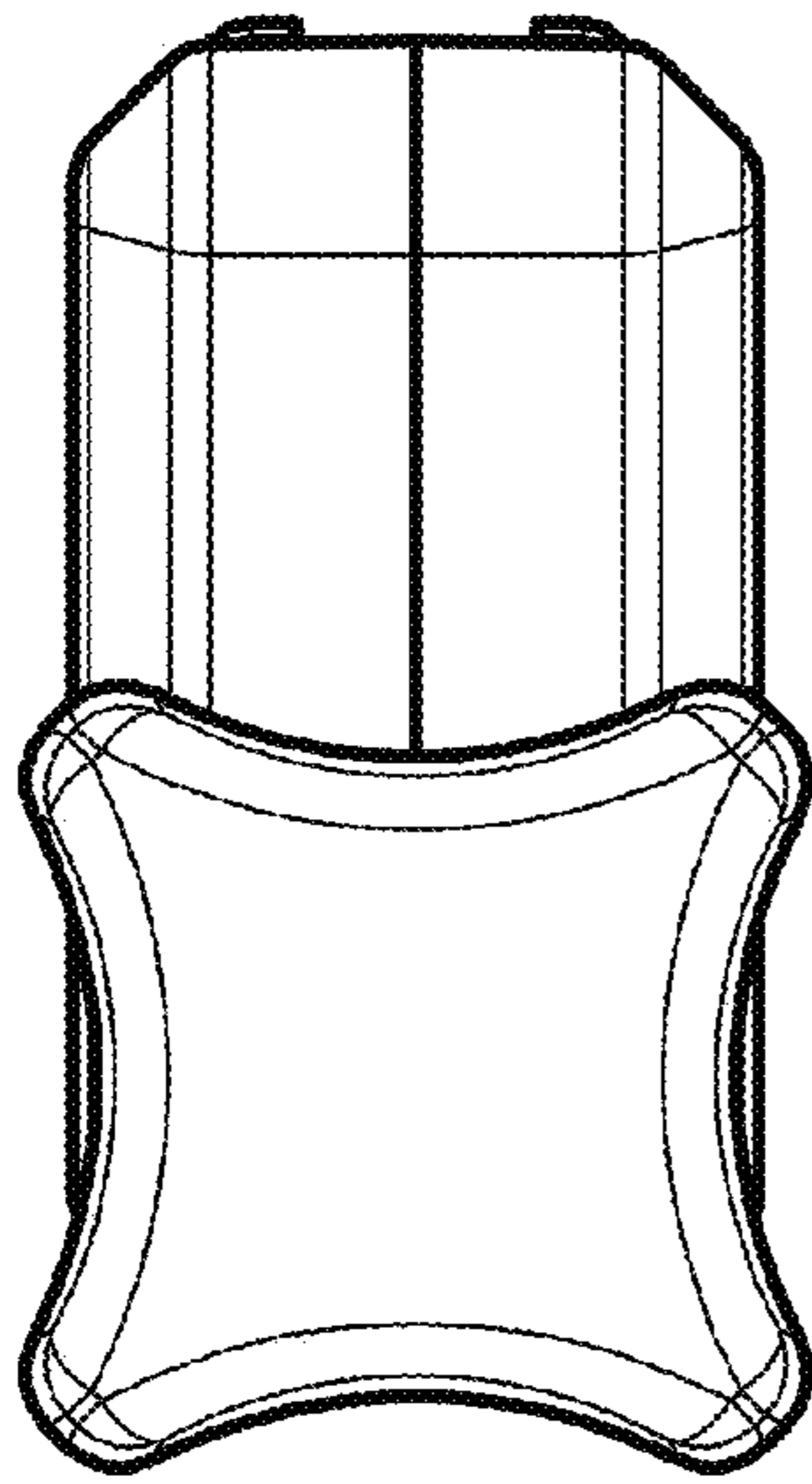


FIG. 3

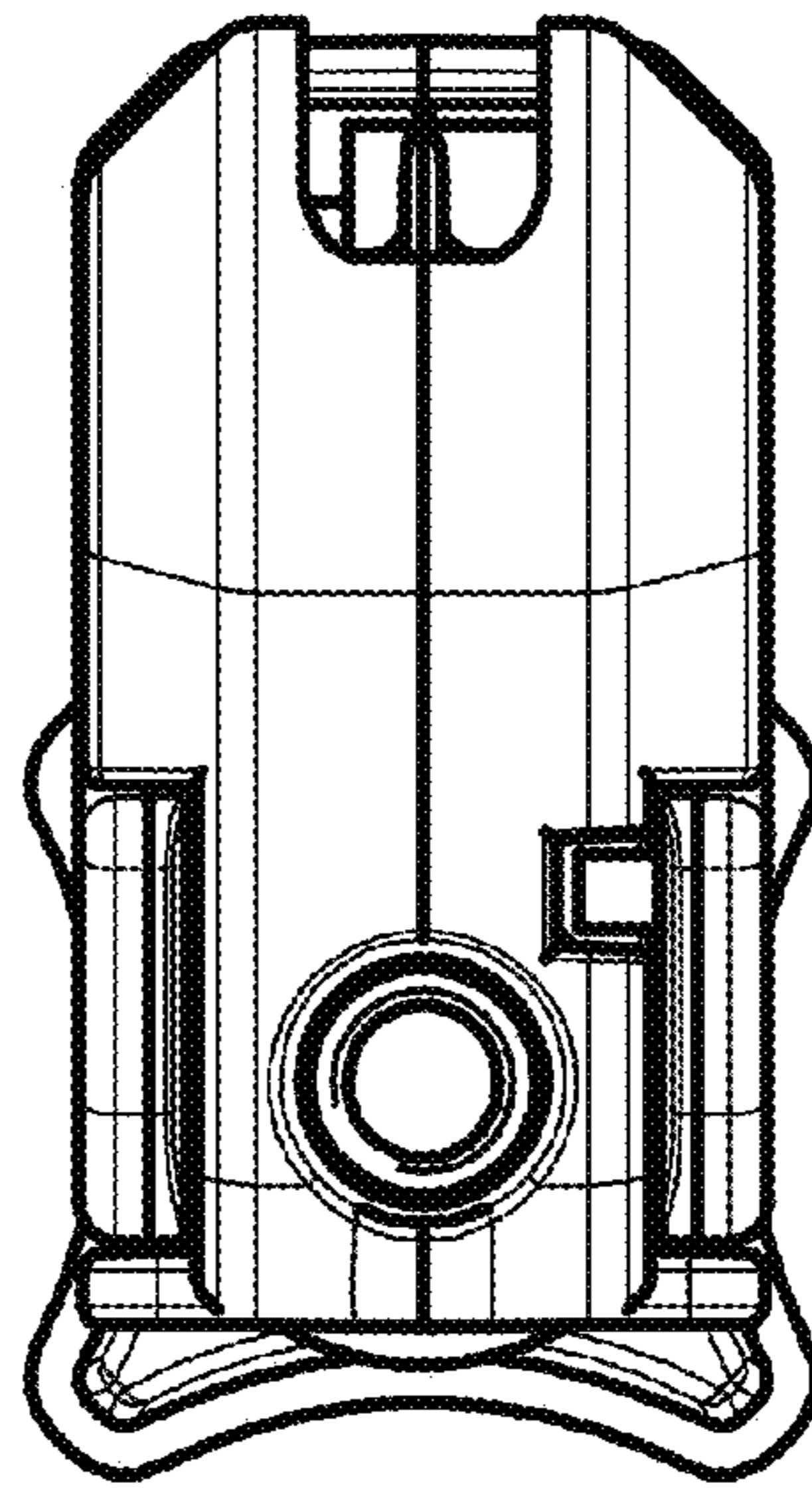


FIG. 4

FIG. 5

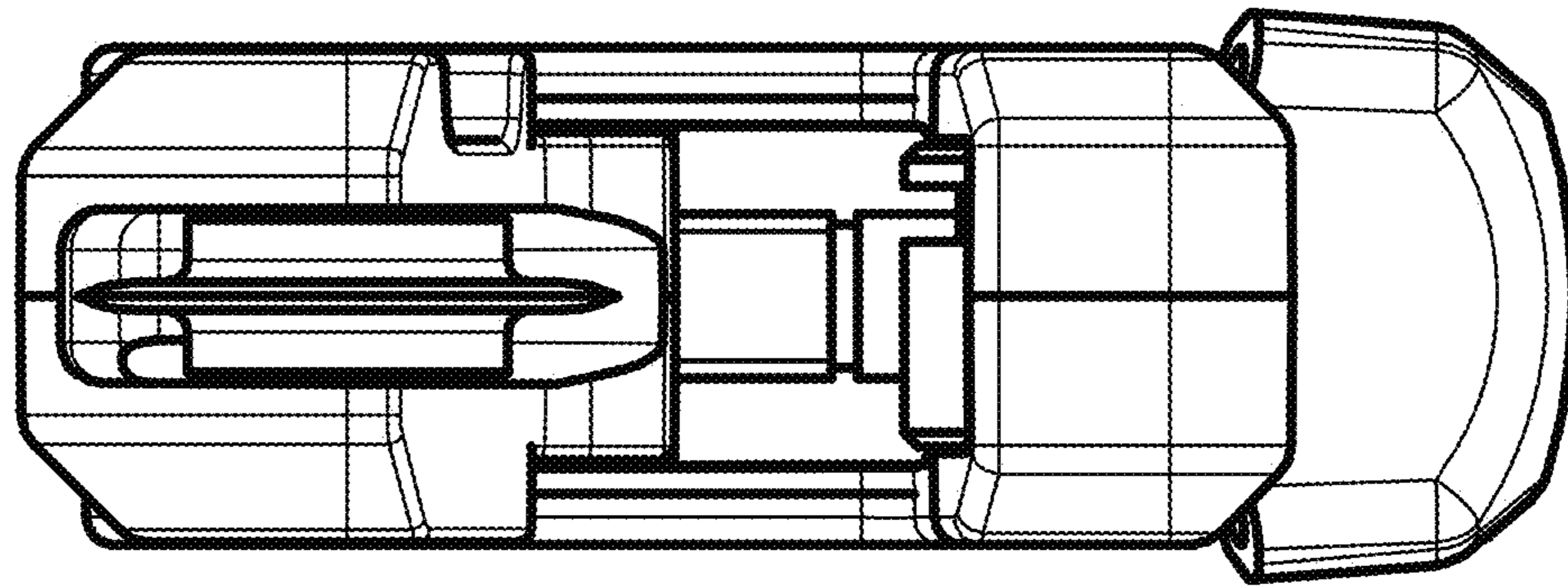
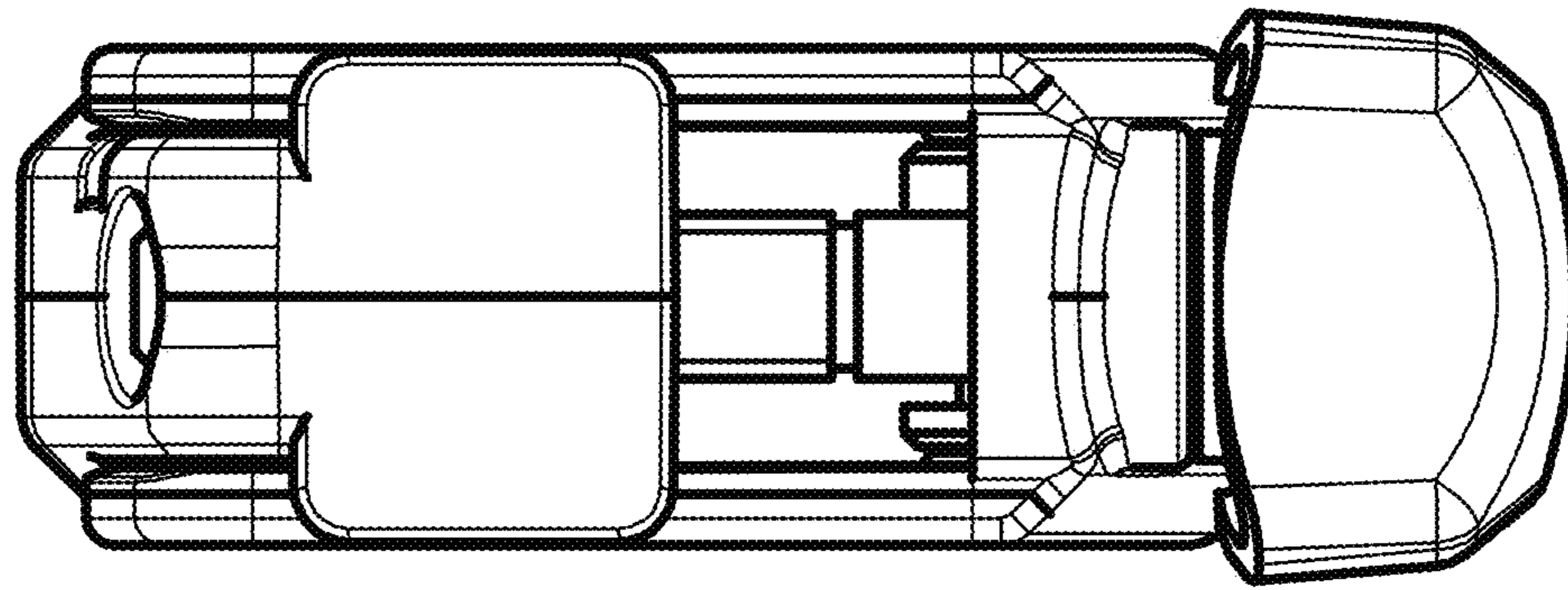


FIG. 6