

US00D697770S

(12) **United States Design Patent**  
**Khuu**

(10) **Patent No.:** **US D697,770 S**  
(45) **Date of Patent:** **\*\* Jan. 21, 2014**

(54) **CUTTING BOARD**

(71) Applicant: **Mango Leaf, Inc.**, Long Island City, NY  
(US)

(72) Inventor: **Howard Khuu**, Long Island City, NY  
(US)

(\*\*) Term: **14 Years**

(21) Appl. No.: **29/446,062**

(22) Filed: **Feb. 20, 2013**

(51) **LOC (10) Cl.** ..... **07-04**

(52) **U.S. Cl.**  
USPC ..... **D7/698**

(58) **Field of Classification Search**  
USPC ..... D6/406.4; D7/354, 357-360, 368, 388,  
D7/392.1, 396.1, 409, 412, 505, 549,  
D7/550.1, 552.1-552.2, 553.1, 553.5,  
D7/553.8, 554.3-554.4, 555, 586,  
D7/637-638, 673, 698-699; D12/426.1;  
D19/88; D32/58; 83/130, 167,  
83/762-764; 99/324, 357, 446-450;  
119/61.54; 131/329; 269/13-16, 54.5,  
269/87.2, 289 R, 302.1, 575  
See application file for complete search history.

(56) **References Cited**

**U.S. PATENT DOCUMENTS**

D281,384 S \* 11/1985 Lacey ..... D7/698  
D281,850 S \* 12/1985 Morin ..... D7/698  
4,907,789 A \* 3/1990 Tice ..... 269/13  
D312,358 S \* 11/1990 Horne ..... D12/426.1  
4,989,846 A \* 2/1991 Quinn ..... 269/54.5

D326,211 S \* 5/1992 Allen ..... D7/698  
D335,226 S \* 5/1993 Horne ..... D12/426.1  
D348,374 S \* 7/1994 Dandurand ..... D7/698  
D354,636 S \* 1/1995 Cable ..... D6/406.4  
5,386,978 A \* 2/1995 Ladwig ..... 269/289 R  
D363,195 S \* 10/1995 Bransby ..... D7/698  
D374,380 S \* 10/1996 Sawatsky ..... D7/698  
D380,944 S \* 7/1997 Nielsen ..... D7/698  
D441,261 S \* 5/2001 Stein ..... D7/698  
D488,603 S \* 4/2004 Bardenhagen-Shuster .... D32/58  
D503,066 S \* 3/2005 Militi ..... D7/359  
7,040,252 B2 \* 5/2006 Wetterer et al. .... 119/61.54  
D543,802 S \* 6/2007 Fuchs ..... D7/698  
D555,987 S \* 11/2007 Williams ..... D7/698  
D562,090 S \* 2/2008 Goldman ..... D7/698  
D570,166 S \* 6/2008 Brownlee ..... D7/698  
D587,539 S \* 3/2009 Almeda et al. .... D7/698  
D591,568 S \* 5/2009 Grabowski ..... D7/698  
D655,939 S \* 3/2012 Tracy ..... D6/397  
D666,674 S \* 9/2012 Moore et al. .... D19/88  
2006/0237026 A1 \* 10/2006 Simester ..... 131/329

\* cited by examiner

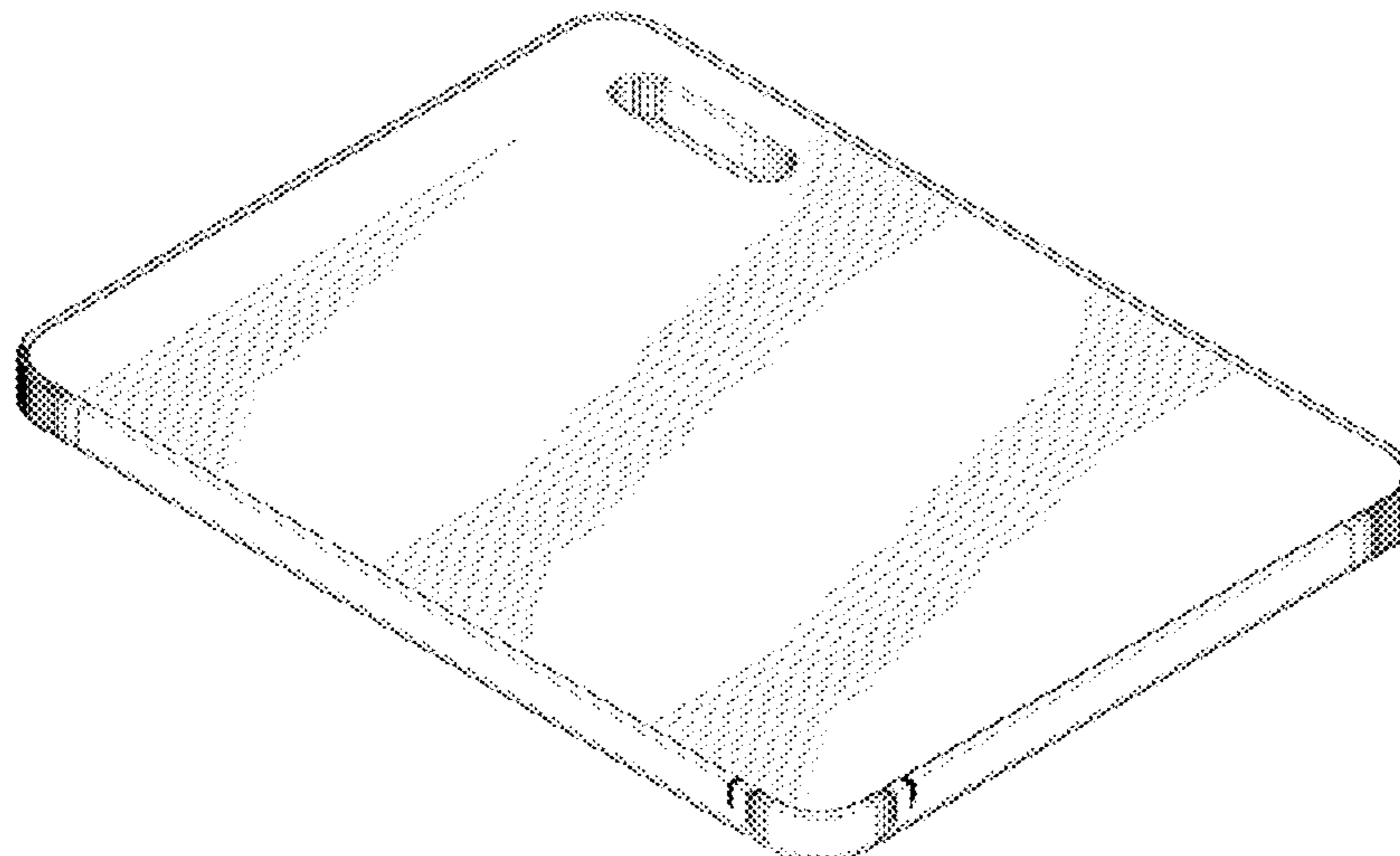
*Primary Examiner* — Ricky Pham  
(74) *Attorney, Agent, or Firm* — Wilmer Cutler Pickering  
Hale and Dorr LLP

(57) **CLAIM**  
The ornamental design for a cutting board, as shown and  
described.

**DESCRIPTION**

FIG. 1 is a top perspective view of a cutting board;  
FIG. 2 is a top view thereof, the bottom view being the same;  
FIG. 3 is a right side view thereof, the left side view being the  
same; and,  
FIG. 4 is a front view thereof, the back view being the same.

**1 Claim, 3 Drawing Sheets**



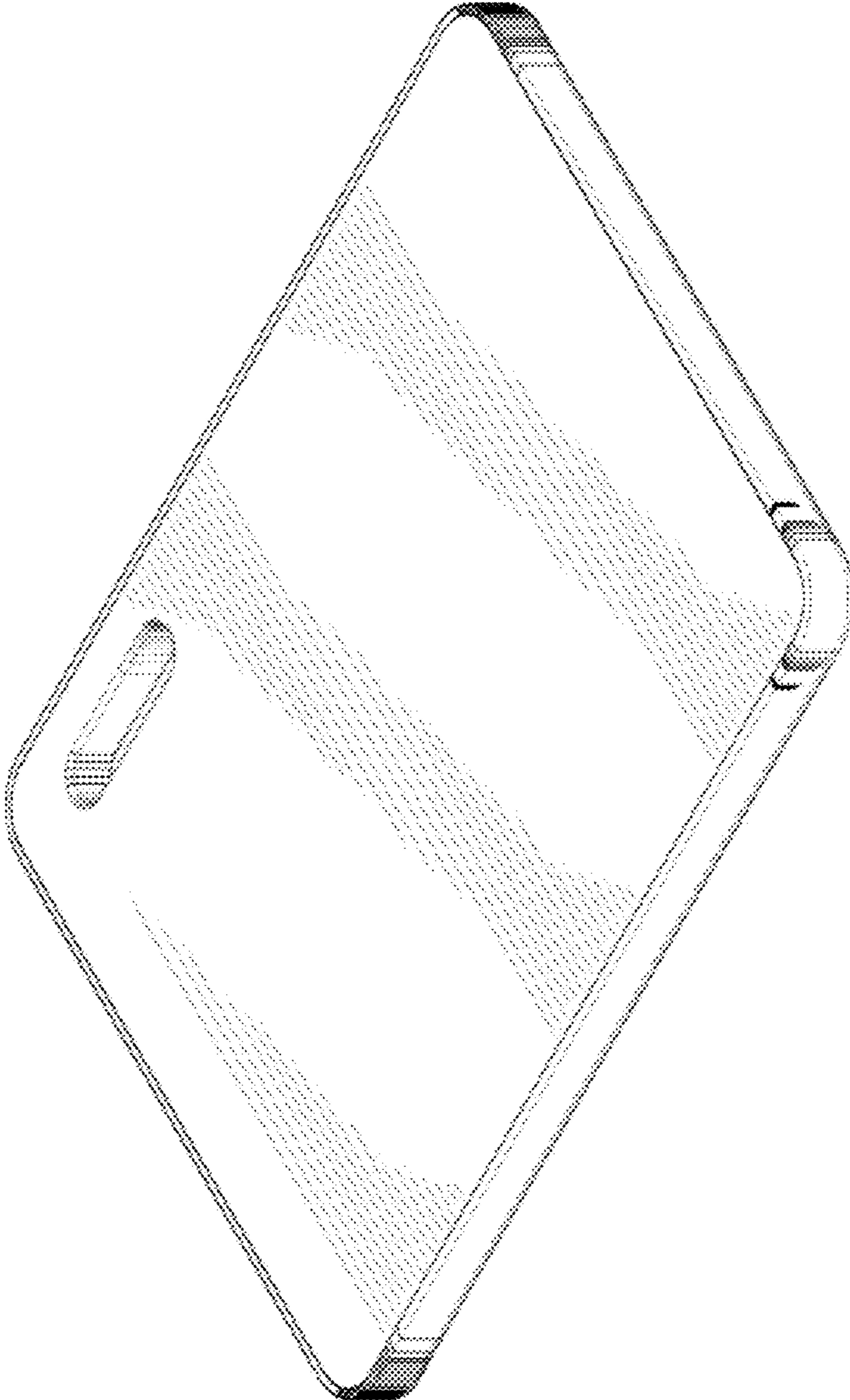


FIG. 1

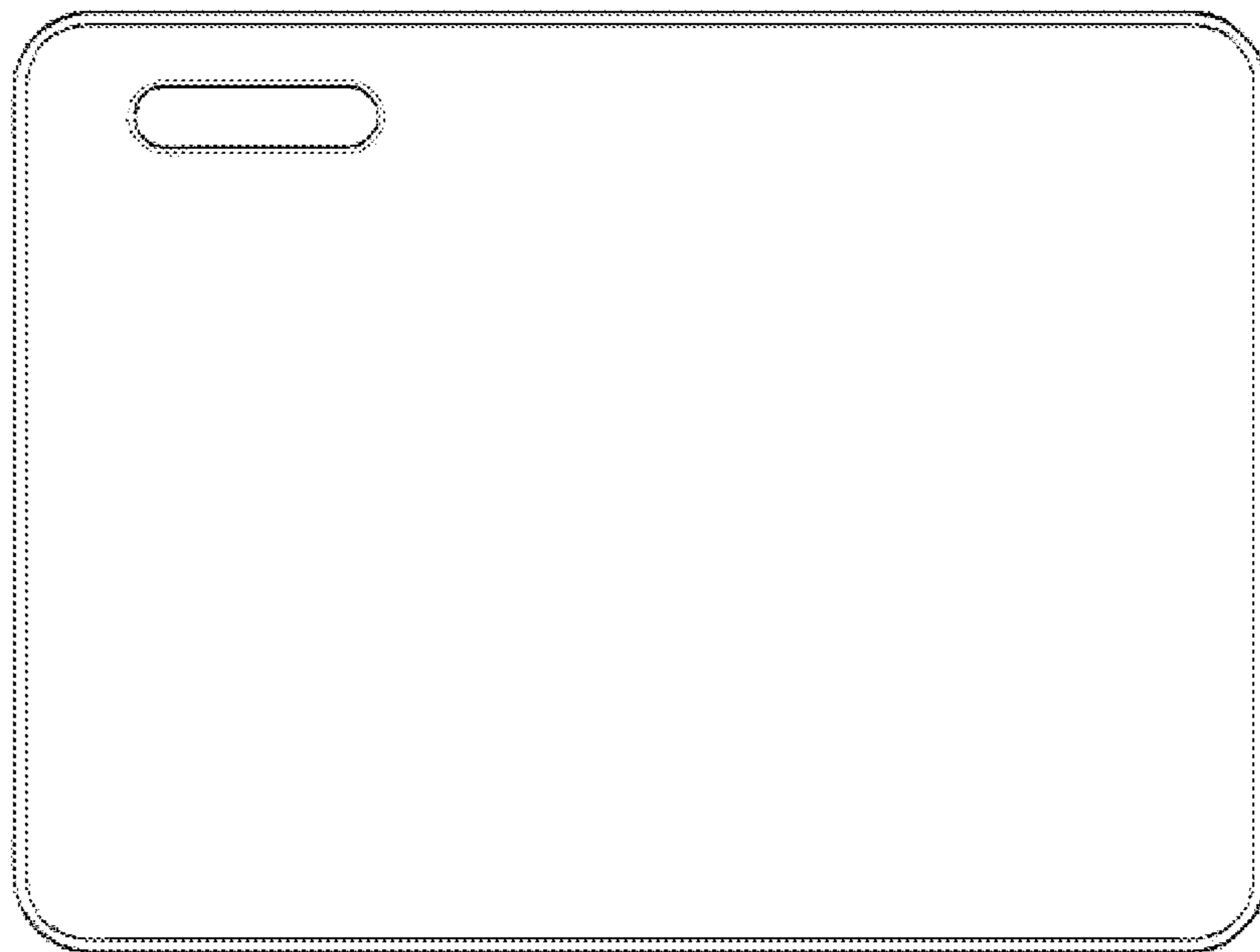


FIG. 2

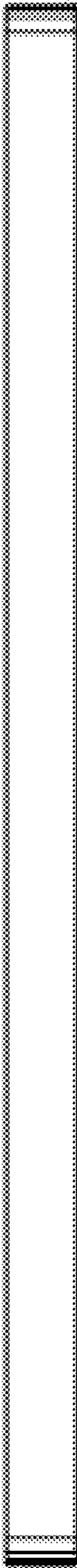


FIG. 3

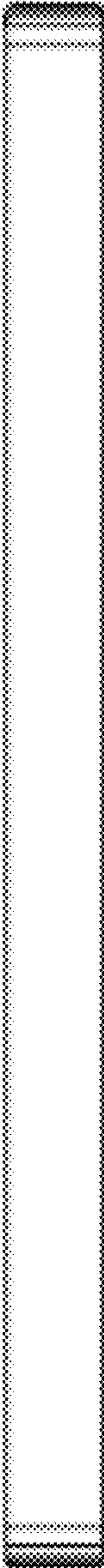


FIG. 4