



US00D697769S

(12) **United States Design Patent**
Lion et al.

(10) **Patent No.:** **US D697,769 S**
(45) **Date of Patent:** **** Jan. 21, 2014**

(54) **ROLLING CUTTER**

(75) Inventors: **Mathieu Lion**, Paris (FR); **Marie Buet**, Paris (FR)

(73) Assignee: **Mastrad, S.A.**, Paris (FR)

(**) Term: **14 Years**

(21) Appl. No.: **29/427,138**

(22) Filed: **Jul. 13, 2012**

(51) **LOC (10) Cl.** **07-04**

(52) **U.S. Cl.**

USPC **D7/694**; D8/98

(58) **Field of Classification Search**

USPC D7/693-695, 669; D8/98; 99/538;
425/296; 30/139, 143, 151, 154-162,
30/306, 307, 319, 299, 314, 315, 276, 320,
30/292-294, 334, 329-331

See application file for complete search history.

(56) **References Cited**

U.S. PATENT DOCUMENTS

D375,435 S * 11/1996 Knapp D7/383
D433,912 S * 11/2000 Kellander et al. D8/98
D552,944 S * 10/2007 Trinquet et al. D7/694

D633,361 S * 3/2011 Chang D8/98
D634,990 S * 3/2011 Cohen et al. D7/694
2008/0010838 A1* 1/2008 Kortleven et al. 30/319

* cited by examiner

Primary Examiner — Terry Wallace

(74) *Attorney, Agent, or Firm* — Novak Druce Connolly Bove + Quigg LLP

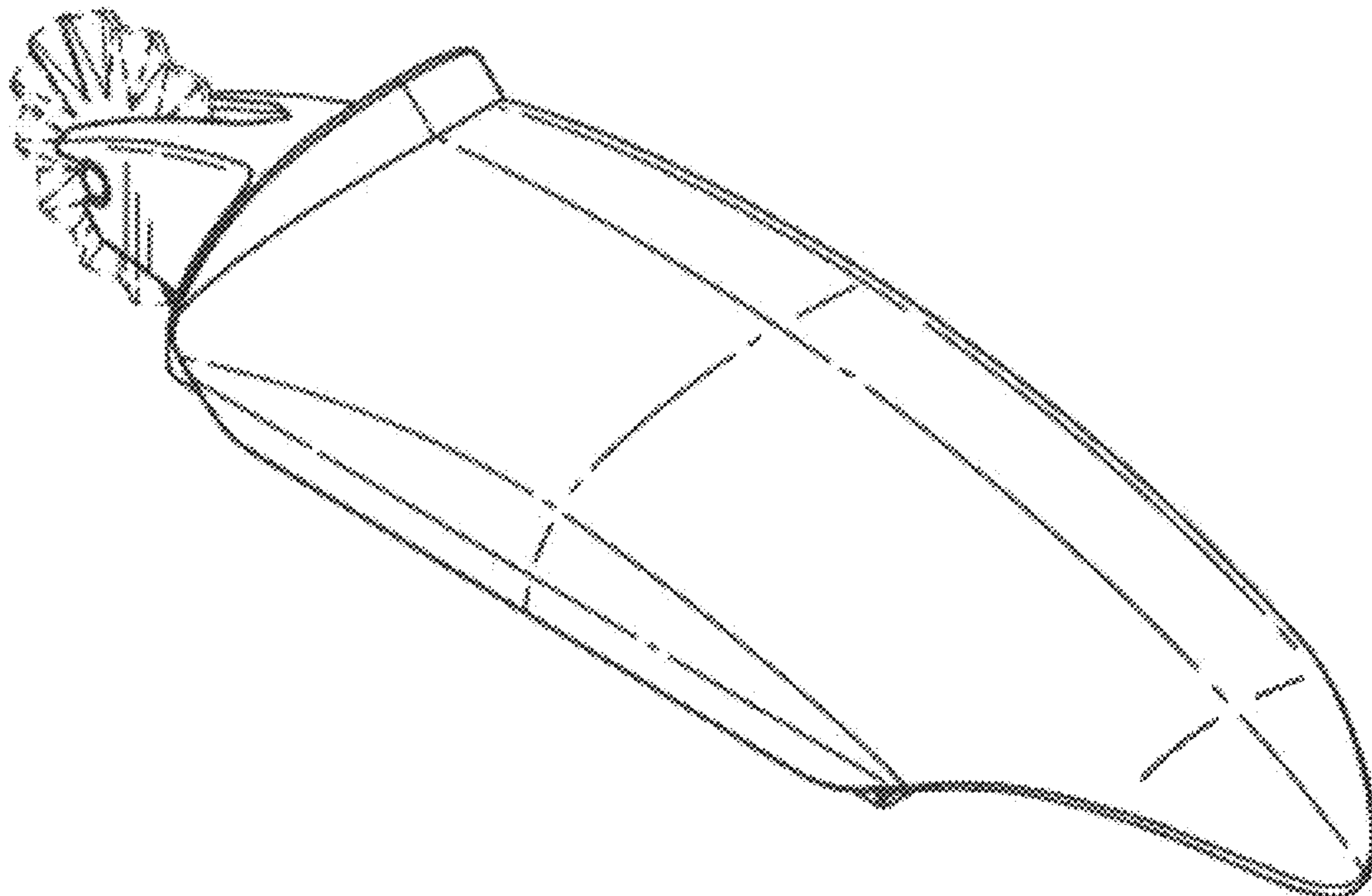
(57) **CLAIM**

The ornamental design for a rolling cutter, as shown and described.

DESCRIPTION

FIG. 1 is a perspective view of the rolling cutter; FIG. 2 is an exploded perspective view of the rolling cutter showing the cover, the removable blade inserts and the body; FIG. 3 is a top plan of the rolling cutter of FIG. 1; FIG. 4 is a bottom plan view of the rolling cutter of FIG. 1; FIG. 5 is a front side view of the rolling cutter of FIG. 1, with the rear side view being an identical mirror image; FIG. 6 is a right side view of the rolling cutter of FIG. 1; FIG. 7 is a left side view of the rolling cutter of FIG. 1; FIG. 8 is a cross sectional view of the rolling cutter taken along axis 8-8 of FIG. 6; and, FIG. 9 is a top plan view of the rolling cutter body. The portions represented by broken lines form no part of the claimed design.

1 Claim, 9 Drawing Sheets



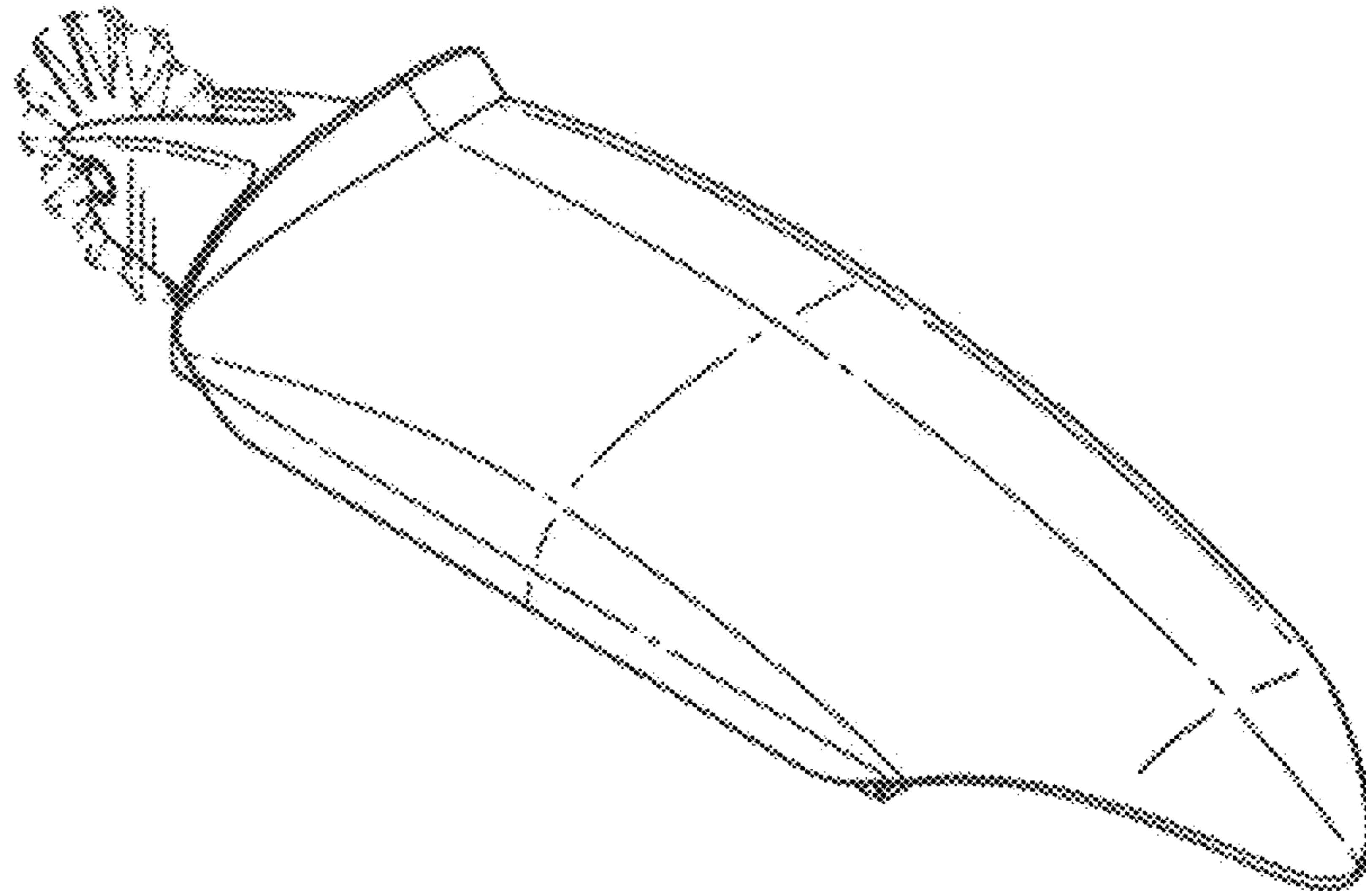


Fig. 1

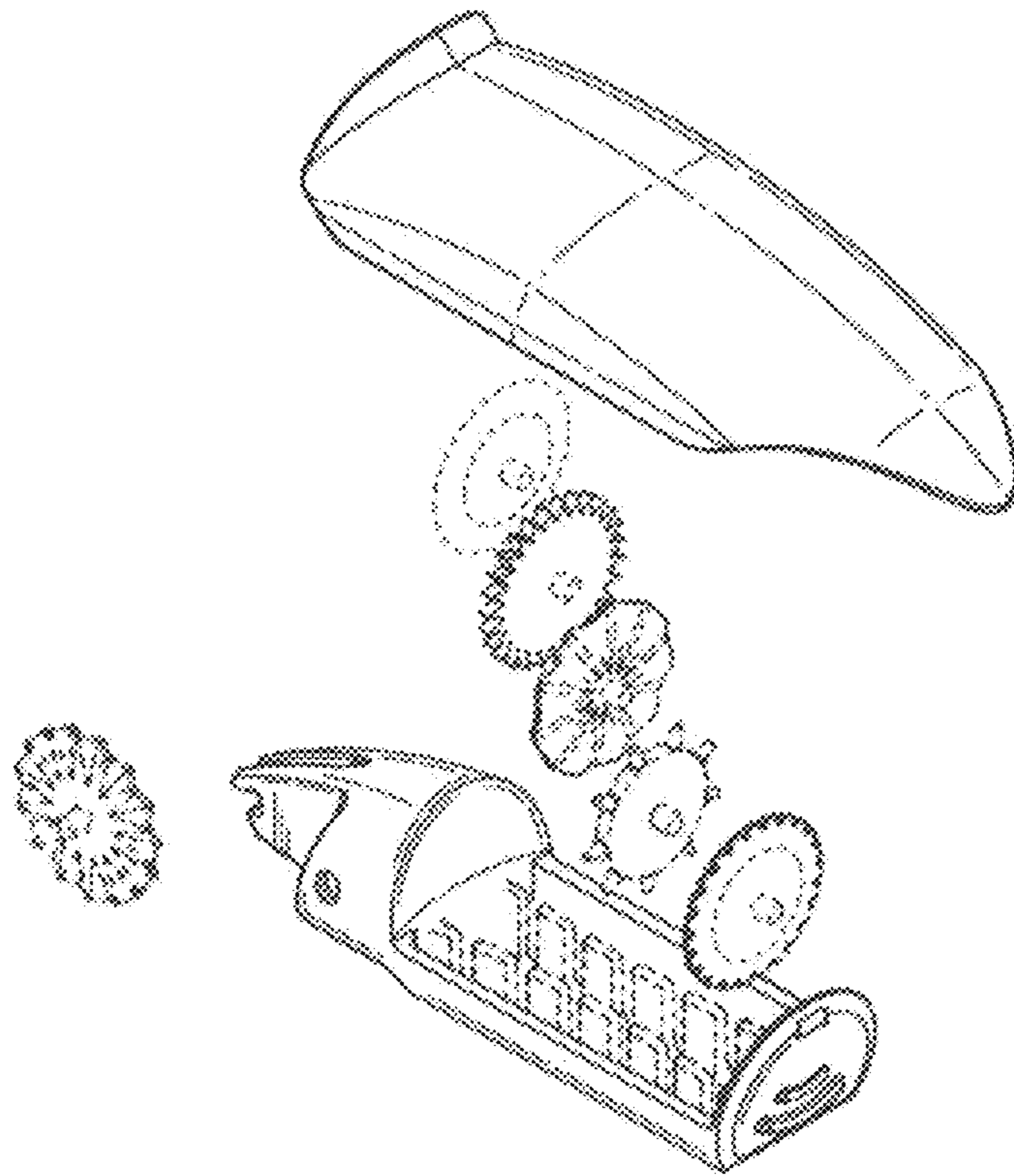


Fig. 2

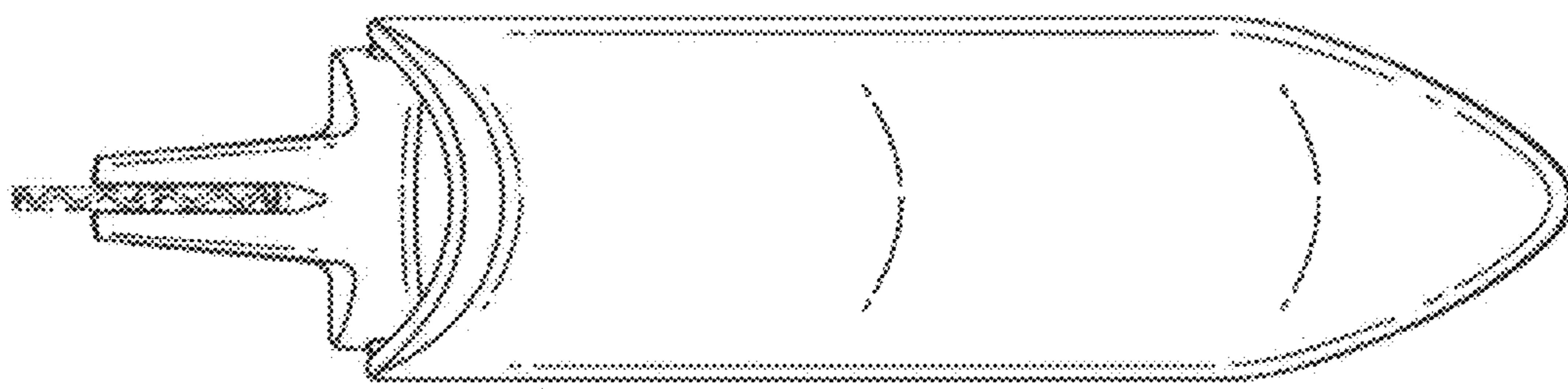


Fig. 3

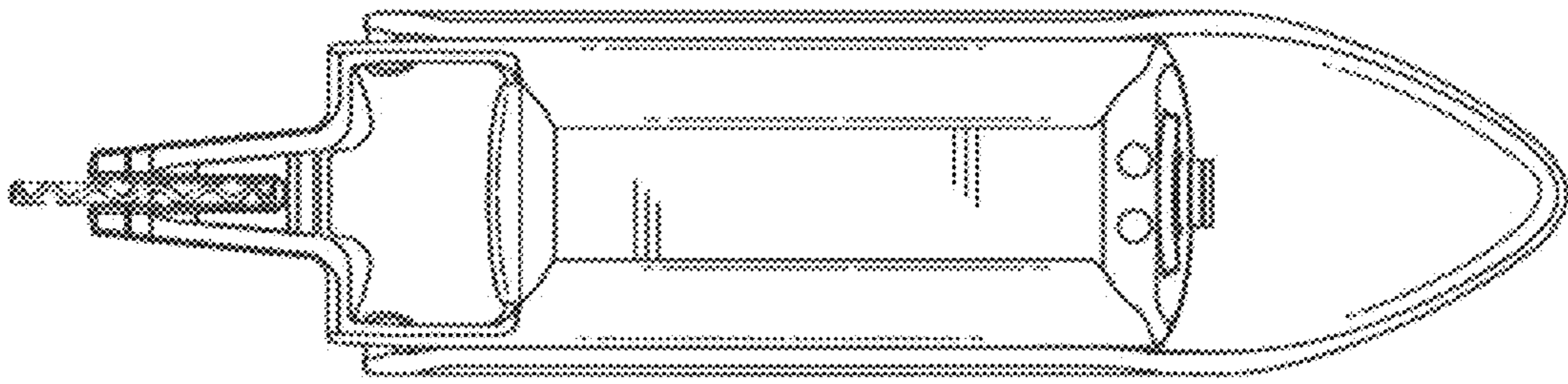


Fig. 4

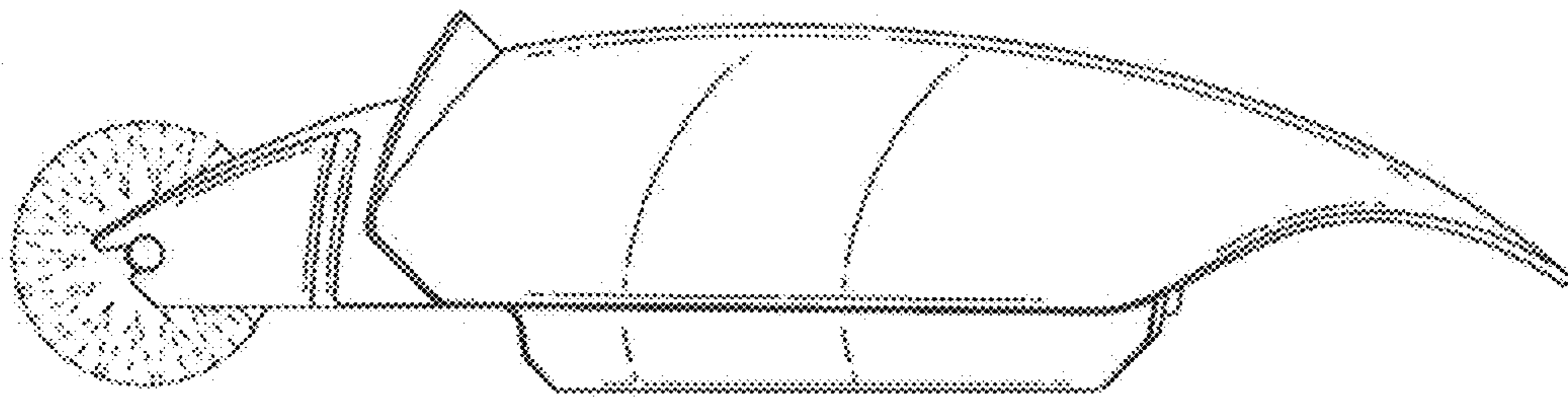


Fig. 5

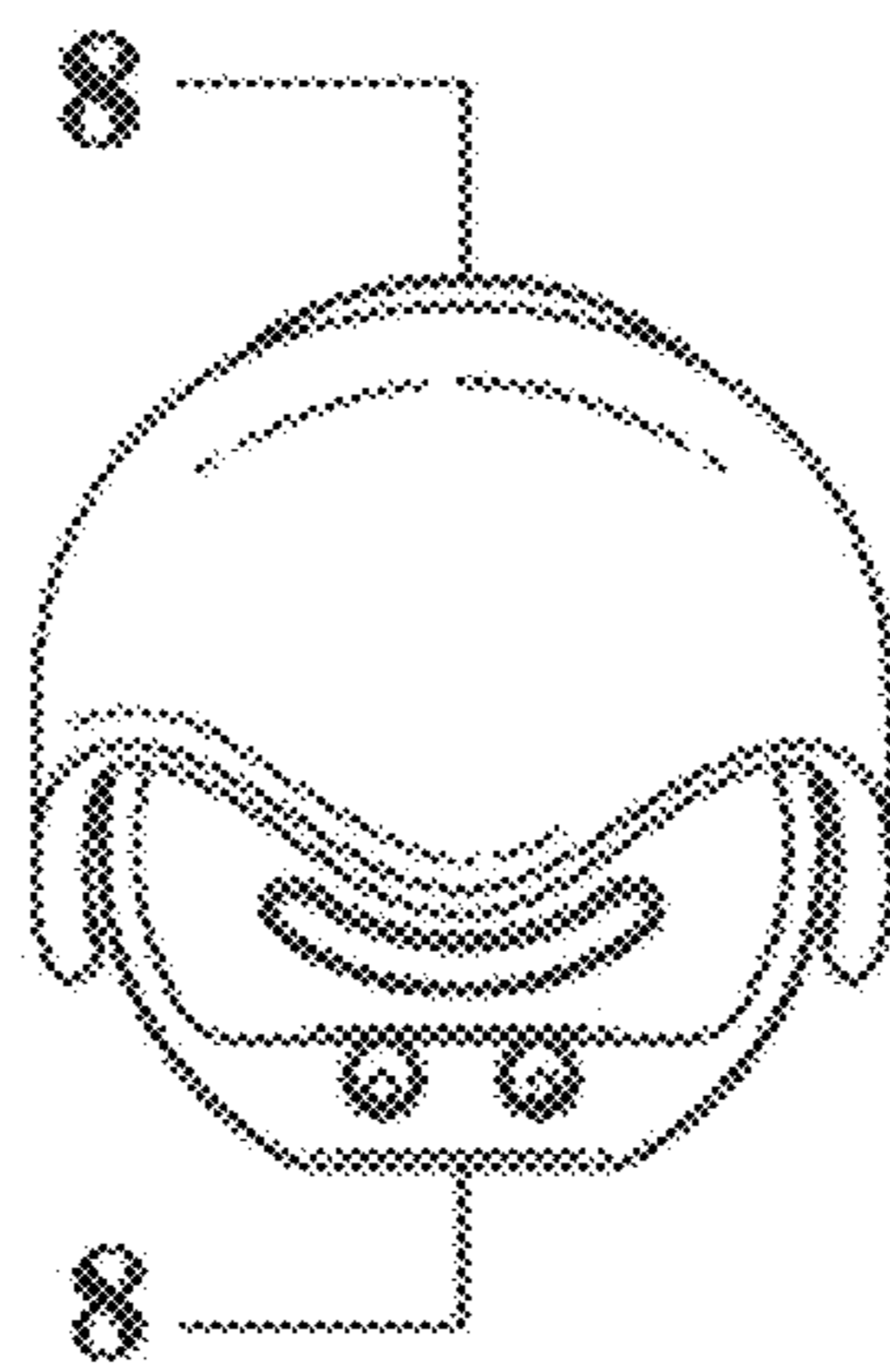


Fig. 6

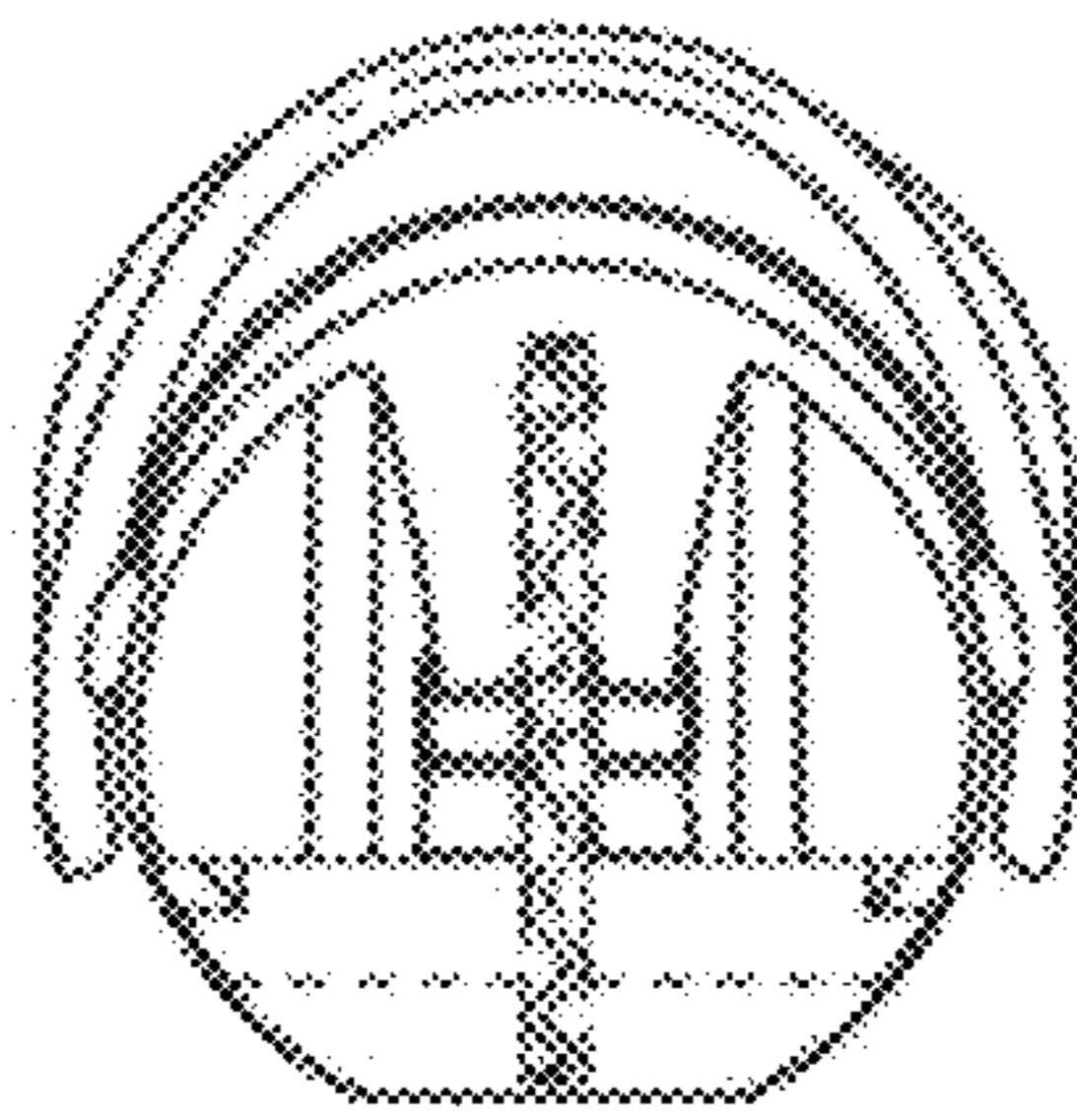


Fig. 7

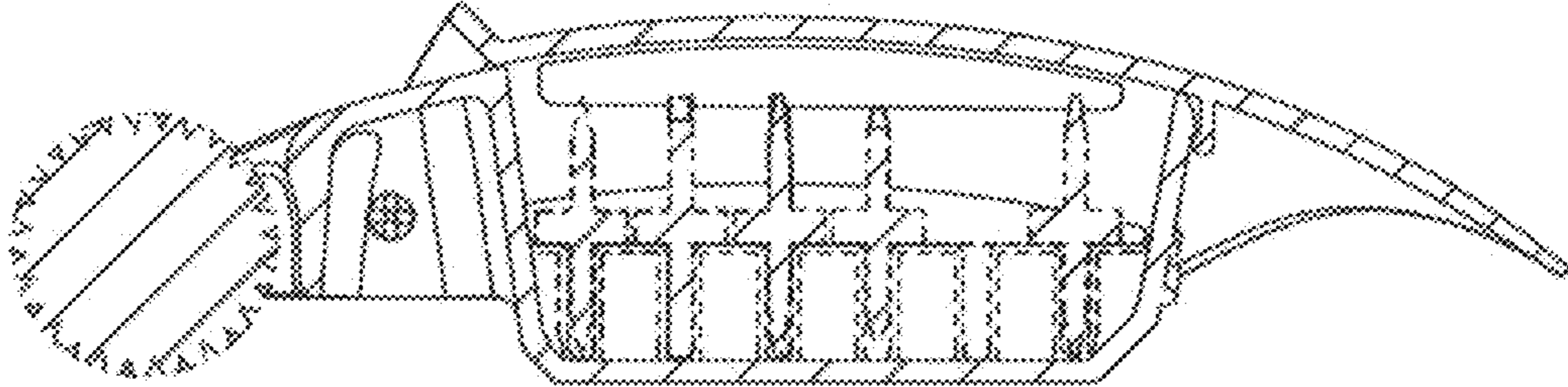


Fig.8

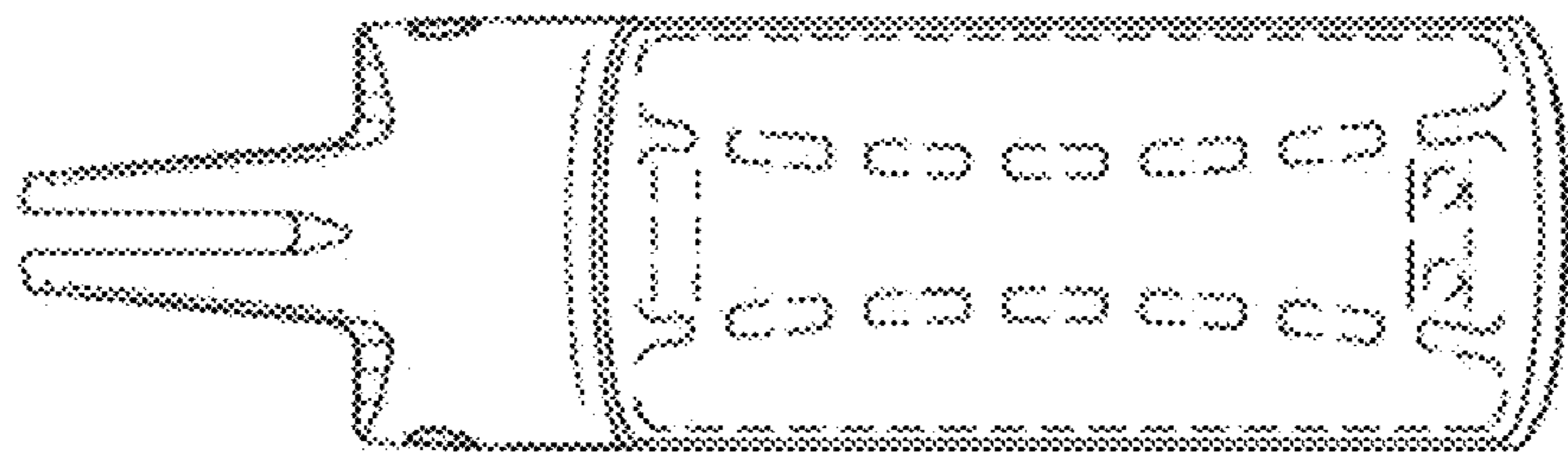


Fig. 9