



US00D697768S

(12) **United States Design Patent**
Wong

(10) **Patent No.:** **US D697,768 S**
(45) **Date of Patent:** **** Jan. 21, 2014**

(54) **GRATER FOR FRUITS AND VEGETABLES**

(56)

References Cited

(71) Applicant: **Yan Kwong Wong**, Kowloon (HK)

(72) Inventor: **Yan Kwong Wong**, Kowloon (HK)

(**) Term: **14 Years**

(21) Appl. No.: **29/451,258**

(22) Filed: **Mar. 29, 2013**

(30) **Foreign Application Priority Data**

Dec. 4, 2012 (HK) 1202381

(51) **LOC (10) Cl.** **07-04**

(52) **U.S. Cl.**
USPC **D7/678**

(58) **Field of Classification Search**

USPC D7/678, 672-677, 381-385, 412;
99/495-510; 83/669, 856, 857, 870,
83/699.51, 699.61, 932; 241/92-95, 100,
241/168, 169, 169.1, 273.1-273.4, 30, 33,
241/36, 37.5; 100/234, 98 R, 110; 30/114,
30/278, 279.6, 280, 286, 287, 383,
30/389-391

See application file for complete search history.

U.S. PATENT DOCUMENTS

1,834,717	A *	12/1931	Knapp	241/273.1
2,741,286	A *	4/1956	Bittle	241/95
D210,861	S *	4/1968	Locker	D7/678
3,825,049	A *	7/1974	Swett et al.	220/771
4,212,431	A *	7/1980	Doyel	241/100
D303,476	S *	9/1989	Wolff et al.	D7/678
D399,711	S *	10/1998	Cohen et al.	D7/673
D480,613	S *	10/2003	Wong	D7/693
D494,025	S *	8/2004	Wong	D7/678
D528,377	S *	9/2006	Pippel et al.	D7/678
D578,838	S *	10/2008	Hood	D7/678
7,469,848	B2 *	12/2008	Yamanaka et al.	241/95
D603,663	S *	11/2009	Bodum	D7/678

* cited by examiner

Primary Examiner — Terry Wallace

(74) *Attorney, Agent, or Firm* — Howard C. Miskin, Esq.;
Gloria Tsui-Yip, Esq.

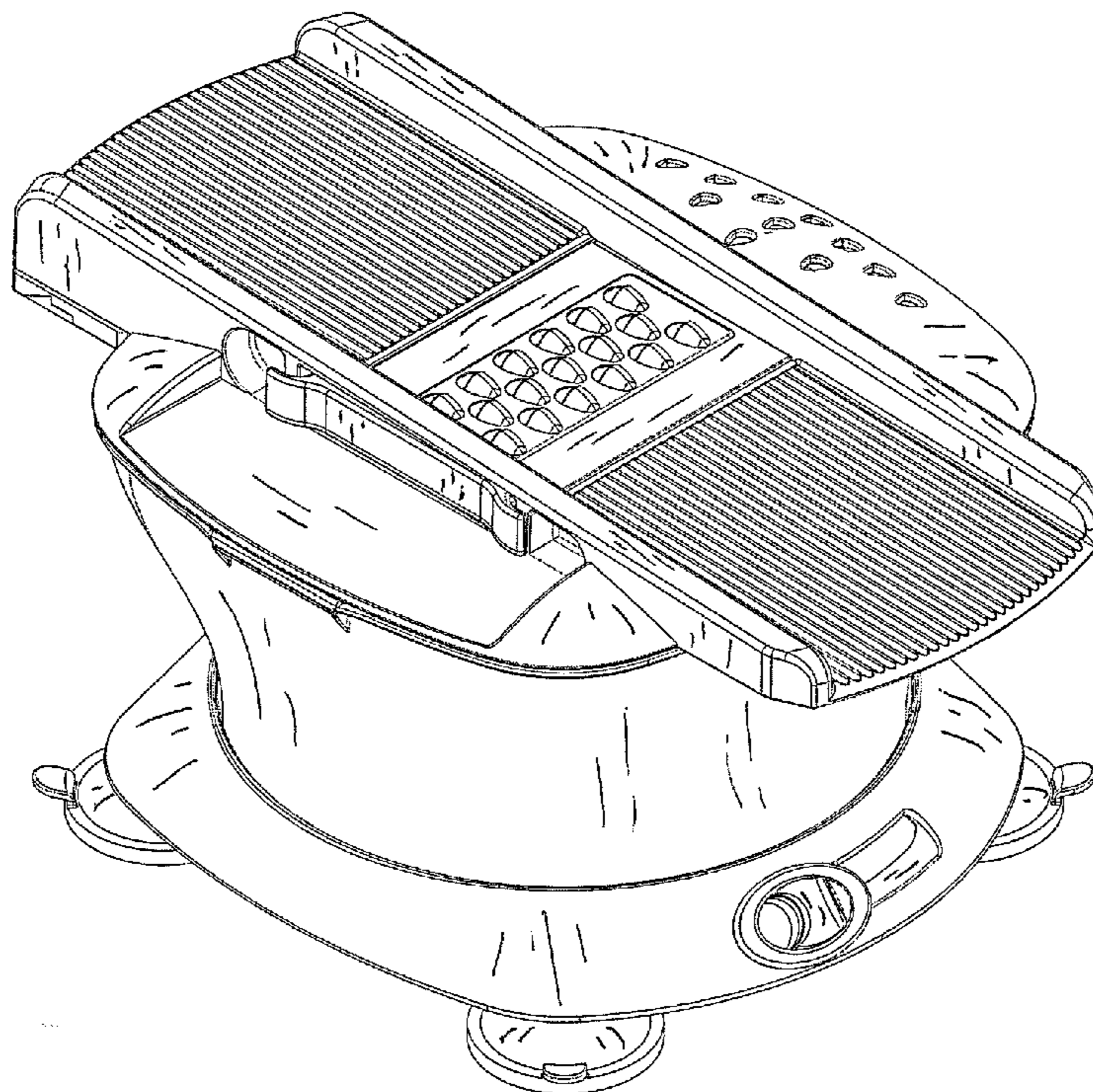
(57) **CLAIM**

The ornamental design for a grater for fruits and vegetables,
as shown and described.

DESCRIPTION

FIG. 1 is a top plan view of my new design;
FIG. 2 is a bottom plan view thereof;
FIG. 3 is a front elevational view thereof;
FIG. 4 is a rear elevational view thereof;
FIG. 5 is a left side view thereof;
FIG. 6 is a right side view thereof; and,
FIG. 7 is a perspective view thereof.

1 Claim, 7 Drawing Sheets



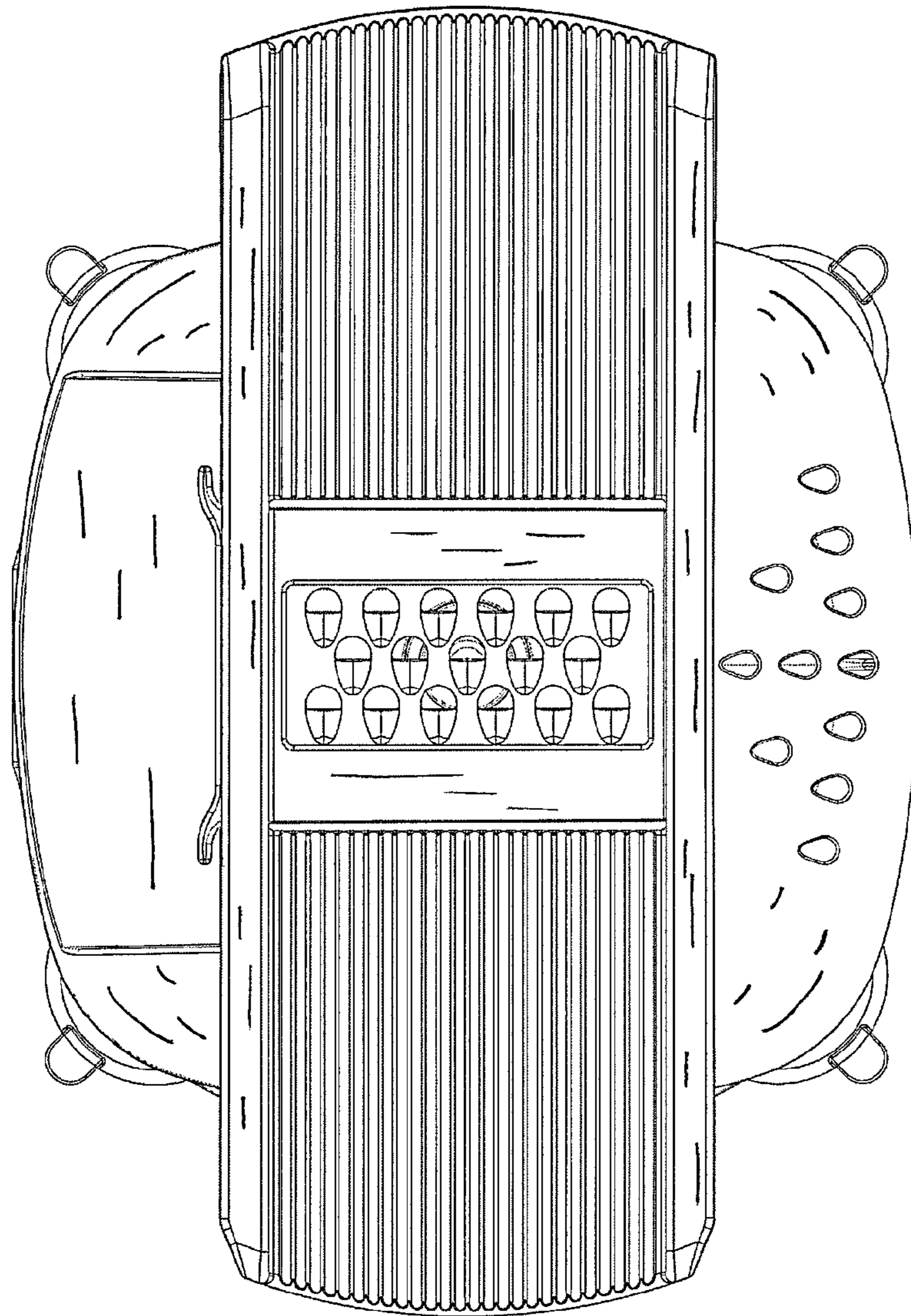


FIGURE 1

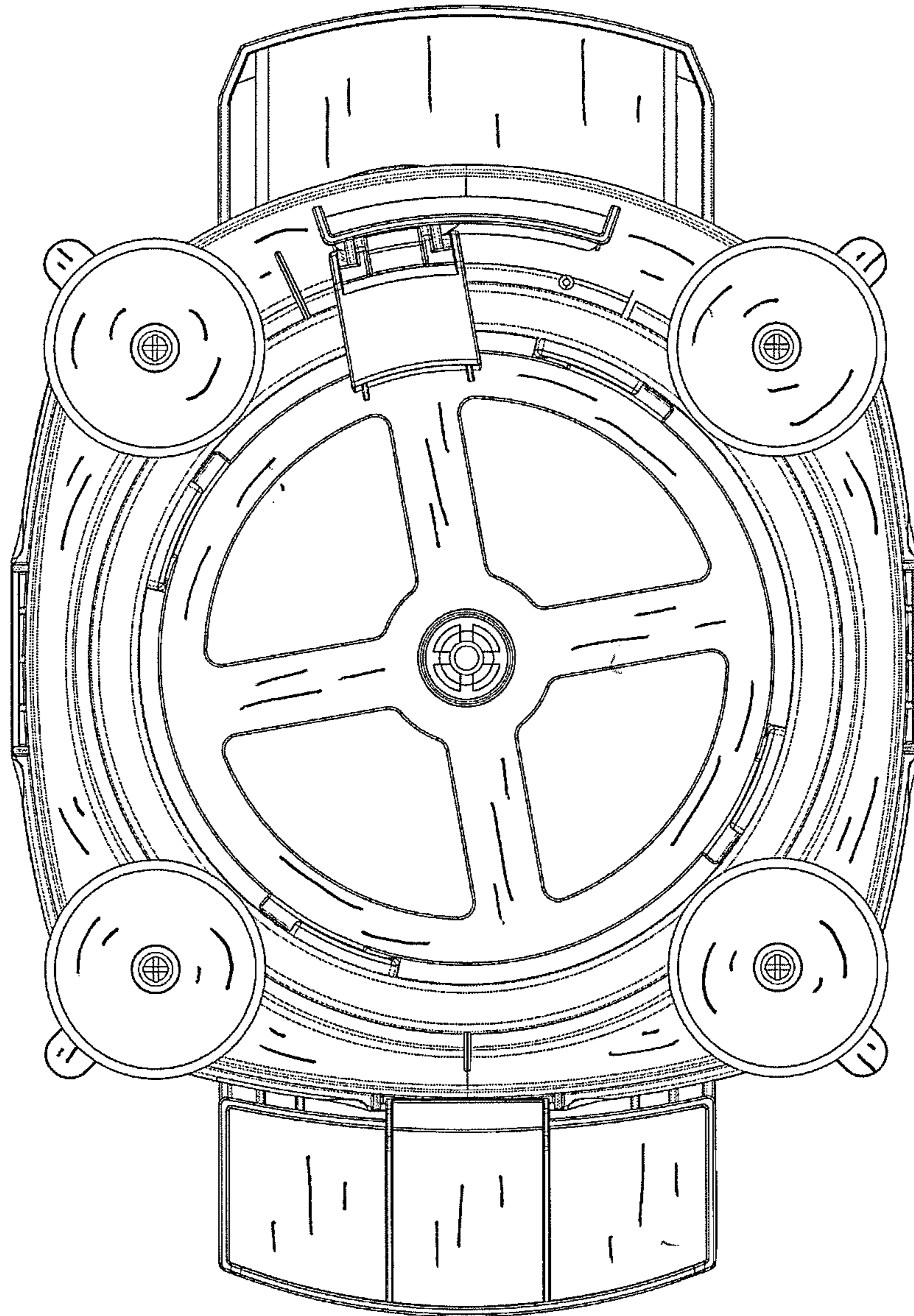


FIGURE 2

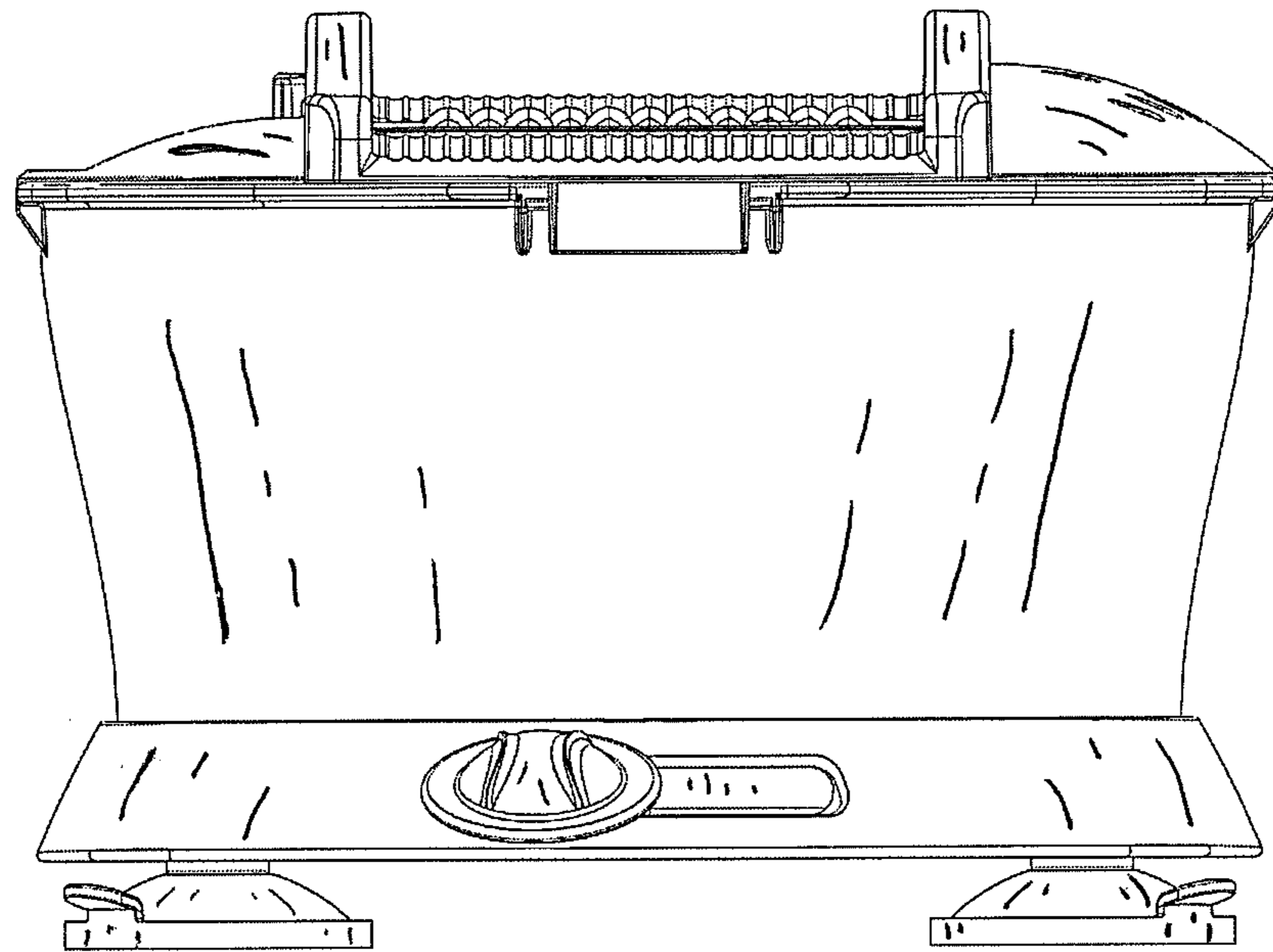


FIGURE 3

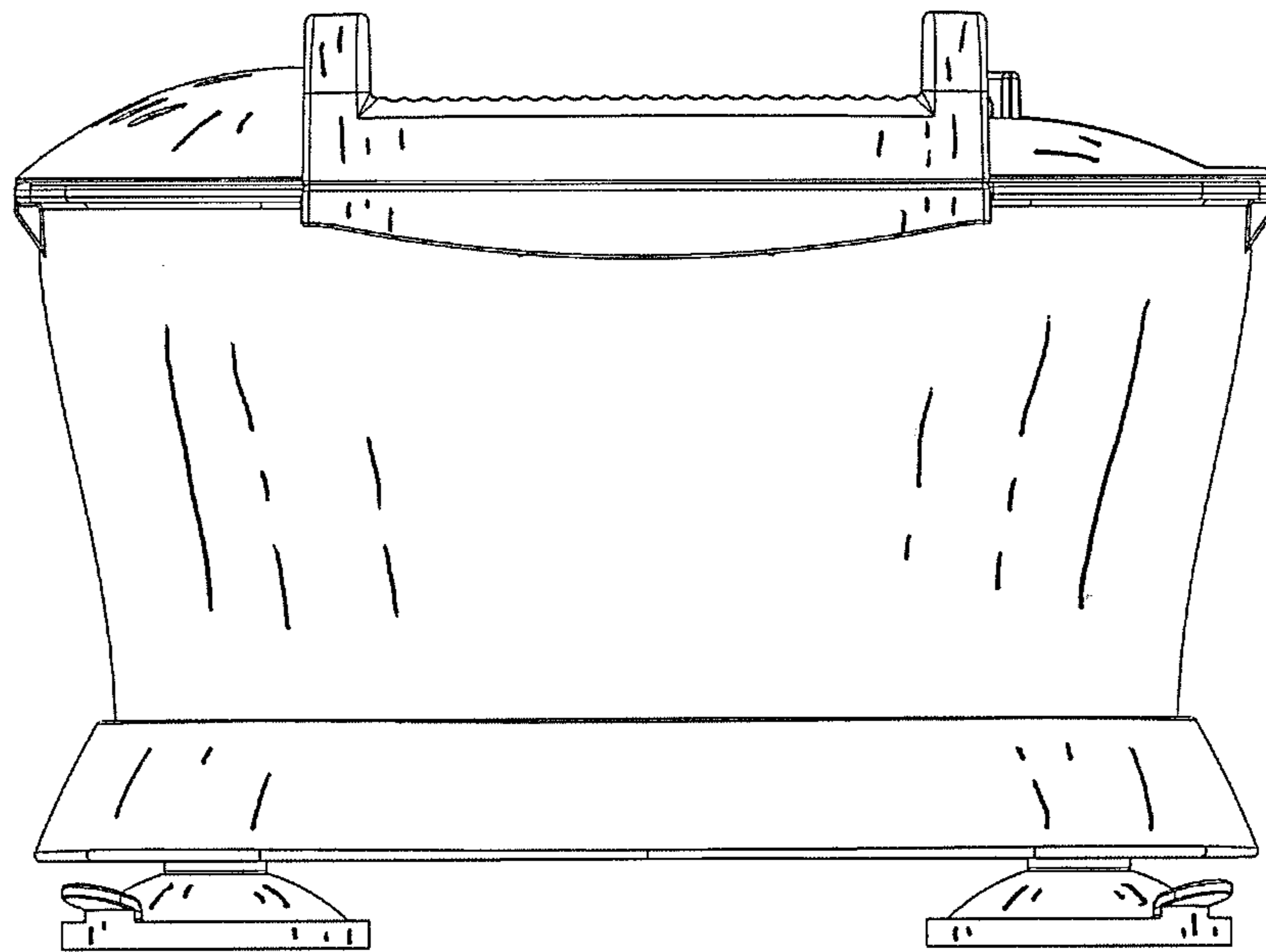


FIGURE 4

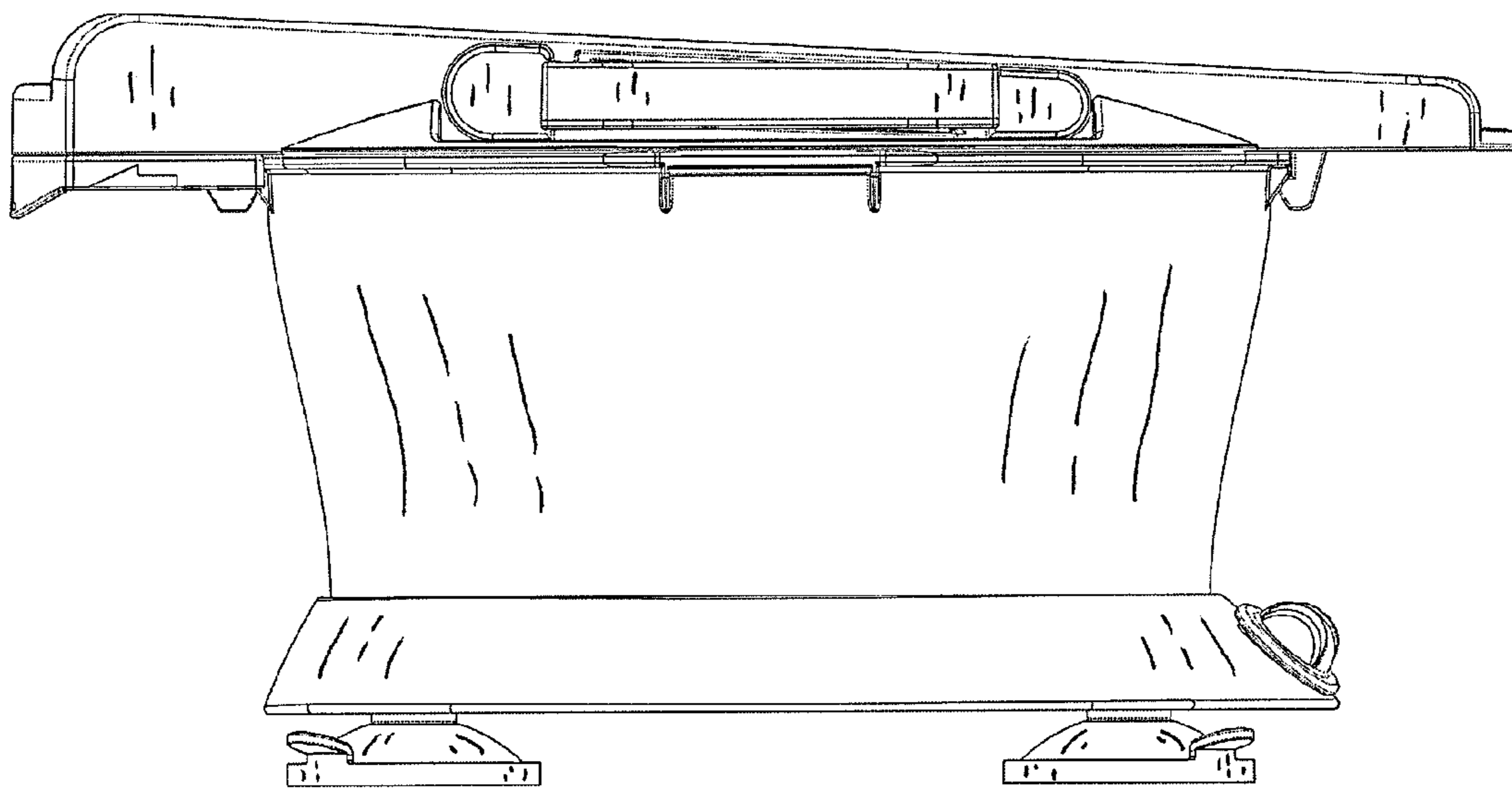


FIGURE 5

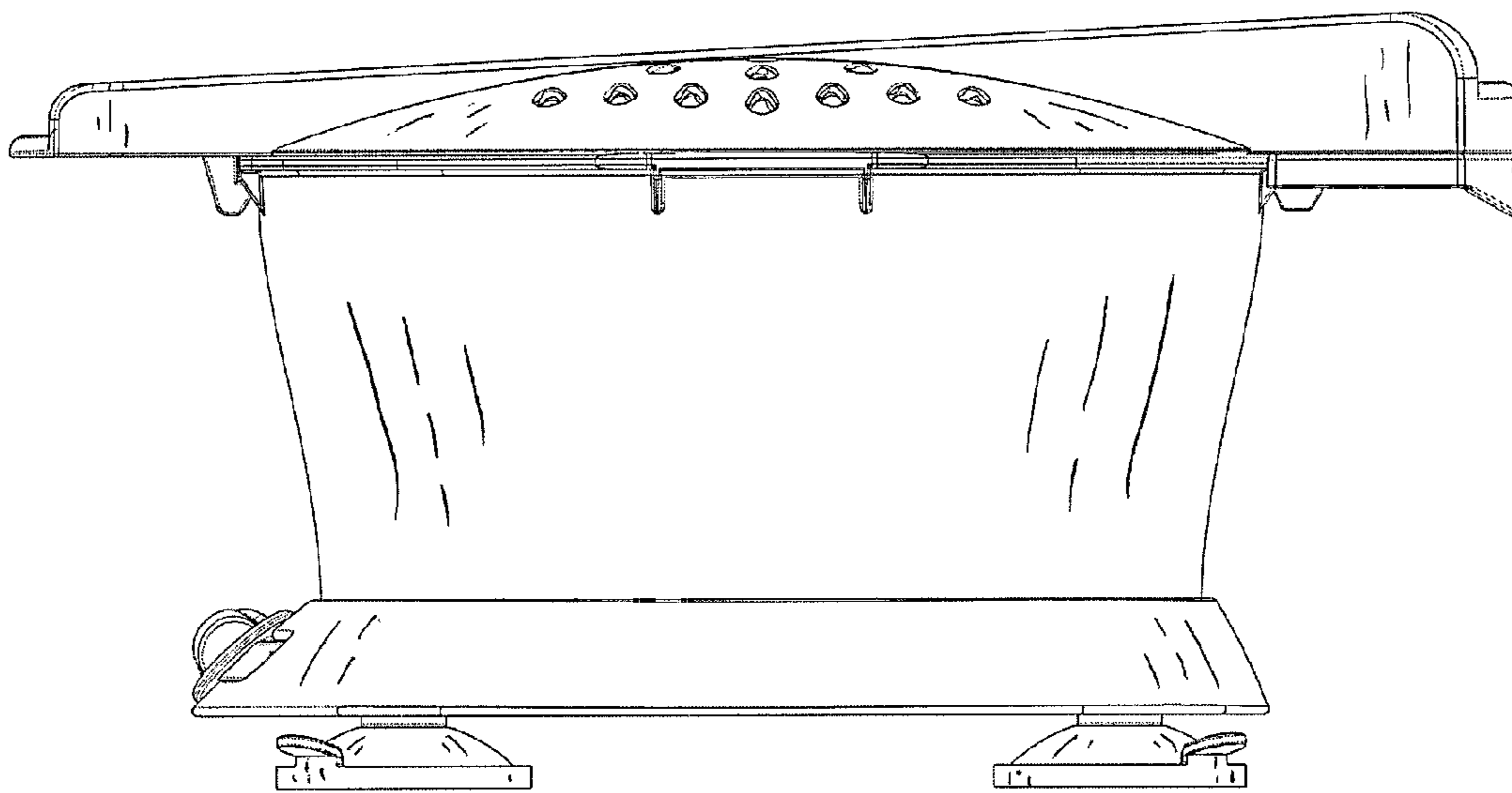


FIGURE 6

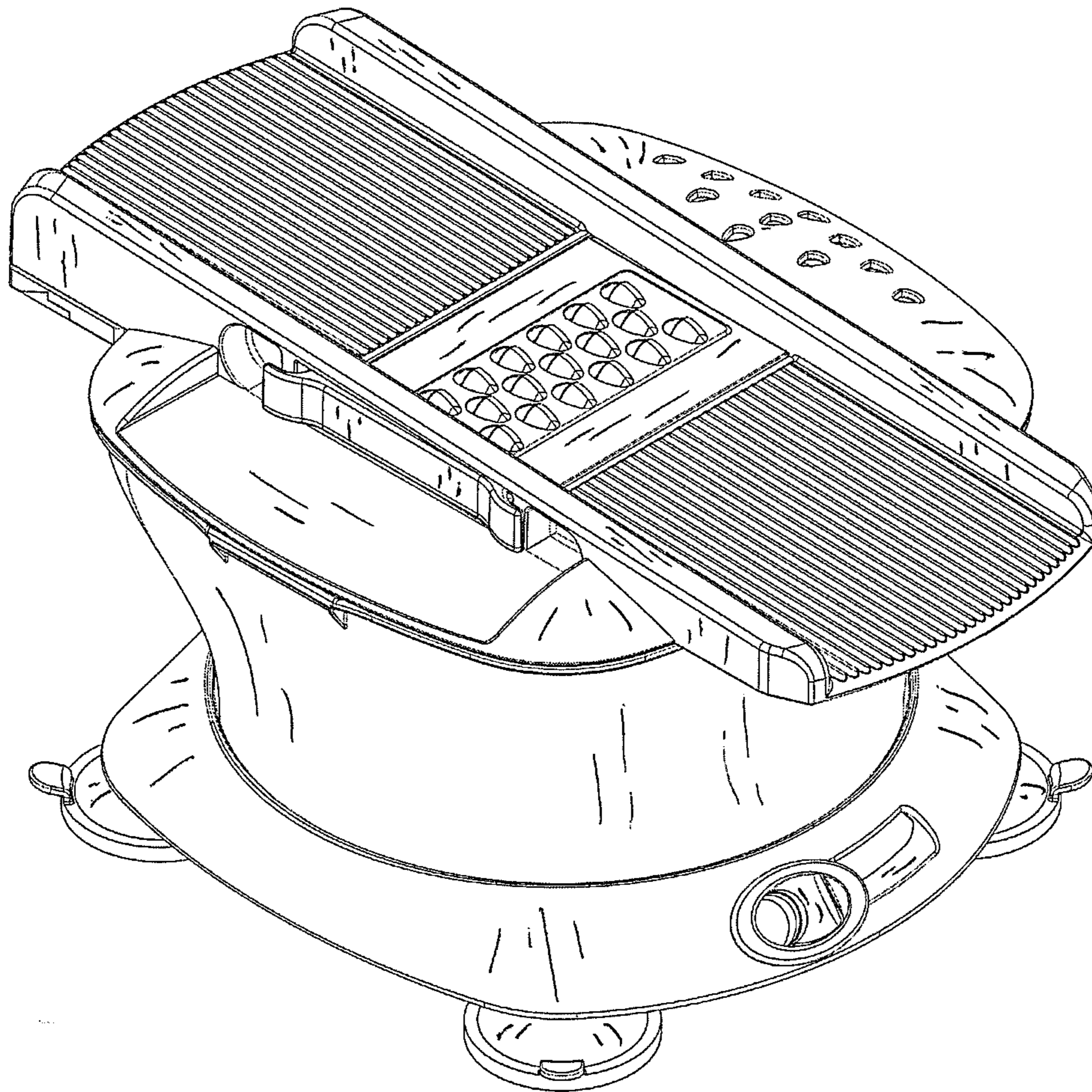


FIGURE 7