



US00D697765S

(12) **United States Design Patent**  
**Wampold**

(10) **Patent No.:** **US D697,765 S**  
(45) **Date of Patent:** **\*\* Jan. 21, 2014**

(54) **DRINK COOLER**

(71) Applicant: **Steve Wampold**, Marlborough, CT (US)

(72) Inventor: **Steve Wampold**, Marlborough, CT (US)

(\*\*) Term: **14 Years**

(21) Appl. No.: **29/439,520**

(22) Filed: **Dec. 12, 2012**

(51) **LOC (10) Cl.** ..... **07-01**

(52) **U.S. Cl.**  
USPC ..... **D7/606; D7/608**

(58) **Field of Classification Search**  
USPC ..... D7/608, 605, 601, 602, 604, 607, 612,  
D7/613, 615, 619.1-625, 630, 509, 510,  
D7/511, 514, 515, 530, 531, 536, 538, 542,  
D7/545, 709, 710, 628, 629, 300.1, 302,  
D7/313; D3/229, 203.5, 202, 206, 205,  
D3/210, 217; 220/592.16, 592.01, 592.17,  
220/592.2, 592.21, 592.24, 592.25, 592.26,  
220/23.89, 281, 694, 737, 739, 740, 741,  
220/742, 903, 501, 504, 916; 215/6,  
215/393-395, 236, 386, 396, 397, 398;  
211/74, 71.01, 79, 85.18; 248/311.2,  
248/309.1; D24/216, 227, 230, 199;  
D21/567, 573, 574, 575; 222/79, 470  
See application file for complete search history.

(56) **References Cited**

**U.S. PATENT DOCUMENTS**

2,224,672	A *	12/1940	Davis	99/283
2,424,045	A *	7/1947	Millstein	446/76
D171,287	S *	1/1954	Alvarez	D7/623
2,749,727	A *	6/1956	Fabro	215/236
2,992,847	A *	7/1961	Lemke et al.	294/31.2
D207,408	S *	4/1967	Levin et al.	D7/515
4,165,013	A *	8/1979	Lutz	220/215
D303,195	S *	9/1989	Devine	D7/515

4,996,787	A *	3/1991	Holcomb et al.	42/7
D340,623	S *	10/1993	Ryan	D7/622
D349,626	S *	8/1994	Rigsby	D7/515
5,787,628	A *	8/1998	Teetzel	42/1.08
D443,796	S *	6/2001	Lin	D7/510
D505,298	S *	5/2005	Holt	D7/515
D516,661	S *	3/2006	McGarry	D22/104
D548,524	S *	8/2007	Meehan	D7/507

(Continued)

**OTHER PUBLICATIONS**

Pistol Shooter Gun Stubby Holder Beer Stubbie Drink Can Bottle Cooler Gift, [online], retrieved on Apr. 15, 2013. Retrieved from, <URL: [http://www.getprice.com.au/Pistol-Shooter-Gun-Stubby-Holder-Beer-Stubbie-Drink-Can-Bottle-Cooler-Gift-Gpnc\\_258--84936348.htm](http://www.getprice.com.au/Pistol-Shooter-Gun-Stubby-Holder-Beer-Stubbie-Drink-Can-Bottle-Cooler-Gift-Gpnc_258--84936348.htm)>, 1 page.\*

(Continued)

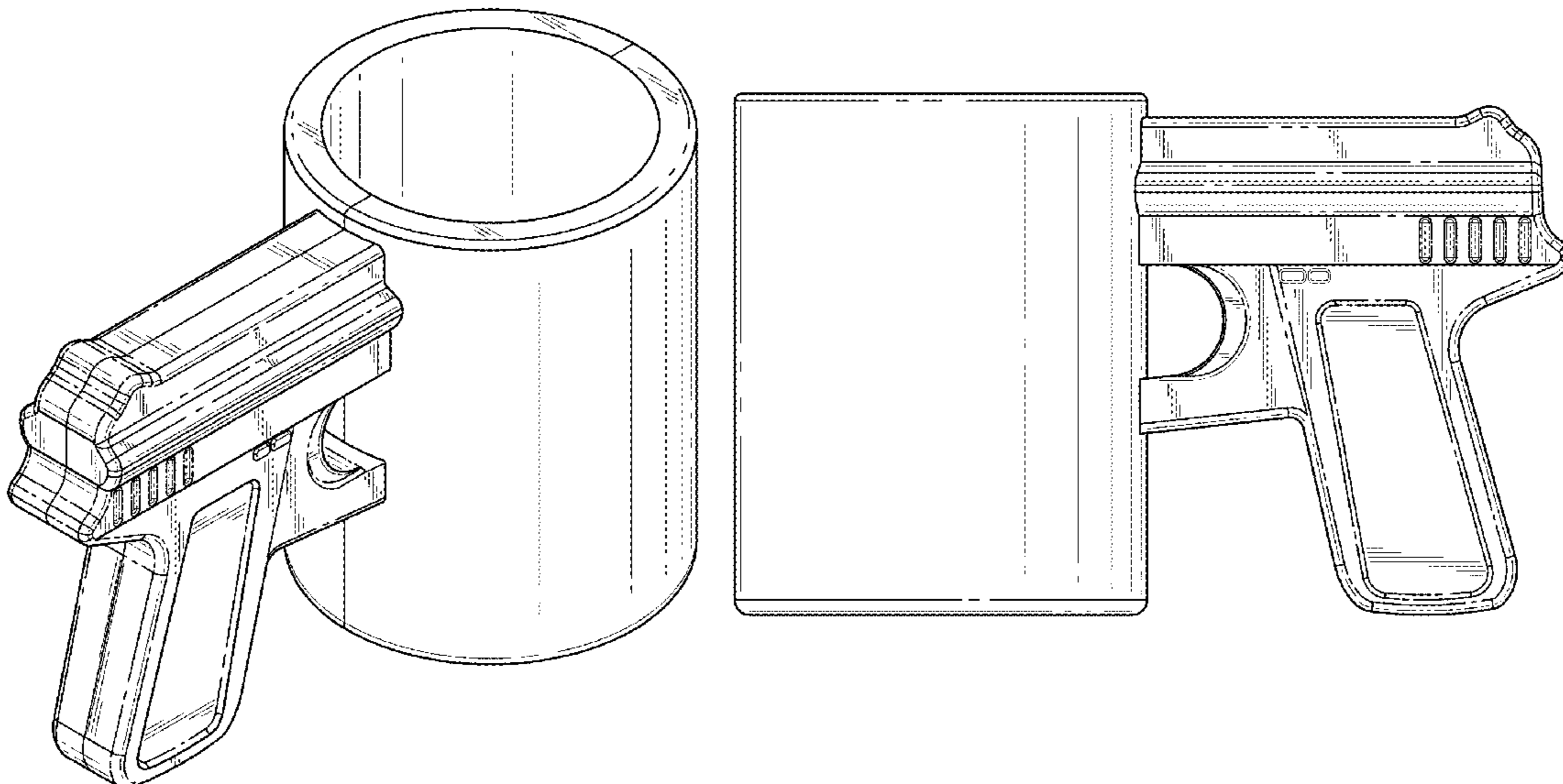
*Primary Examiner* — Ian Simmons  
*Assistant Examiner* — Shannon Morgan  
(74) *Attorney, Agent, or Firm* — Bachman & LaPointe, P.C.

(57) **CLAIM**  
The ornamental design for a drink cooler, as shown and described.

**DESCRIPTION**

FIG. 1 is a top, front perspective view of a drink cooler showing my new design thereof;  
FIG. 2 is a front view of the drink cooler of FIG. 1, the rear view being an identical mirror image thereof;  
FIG. 3 is a right side view of the drink cooler of FIG. 1;  
FIG. 4 is a left side view of the drink cooler of FIG. 1;  
FIG. 5 is a top view of the drink cooler of FIG. 1; and,  
FIG. 6 is a bottom view of the drink cooler of FIG. 1.  
The broken lines in FIG. 5 of the drink cooler are for the purpose of illustrating environment, and form no part of the claimed design.

**1 Claim, 3 Drawing Sheets**



(56)

**References Cited**

U.S. PATENT DOCUMENTS

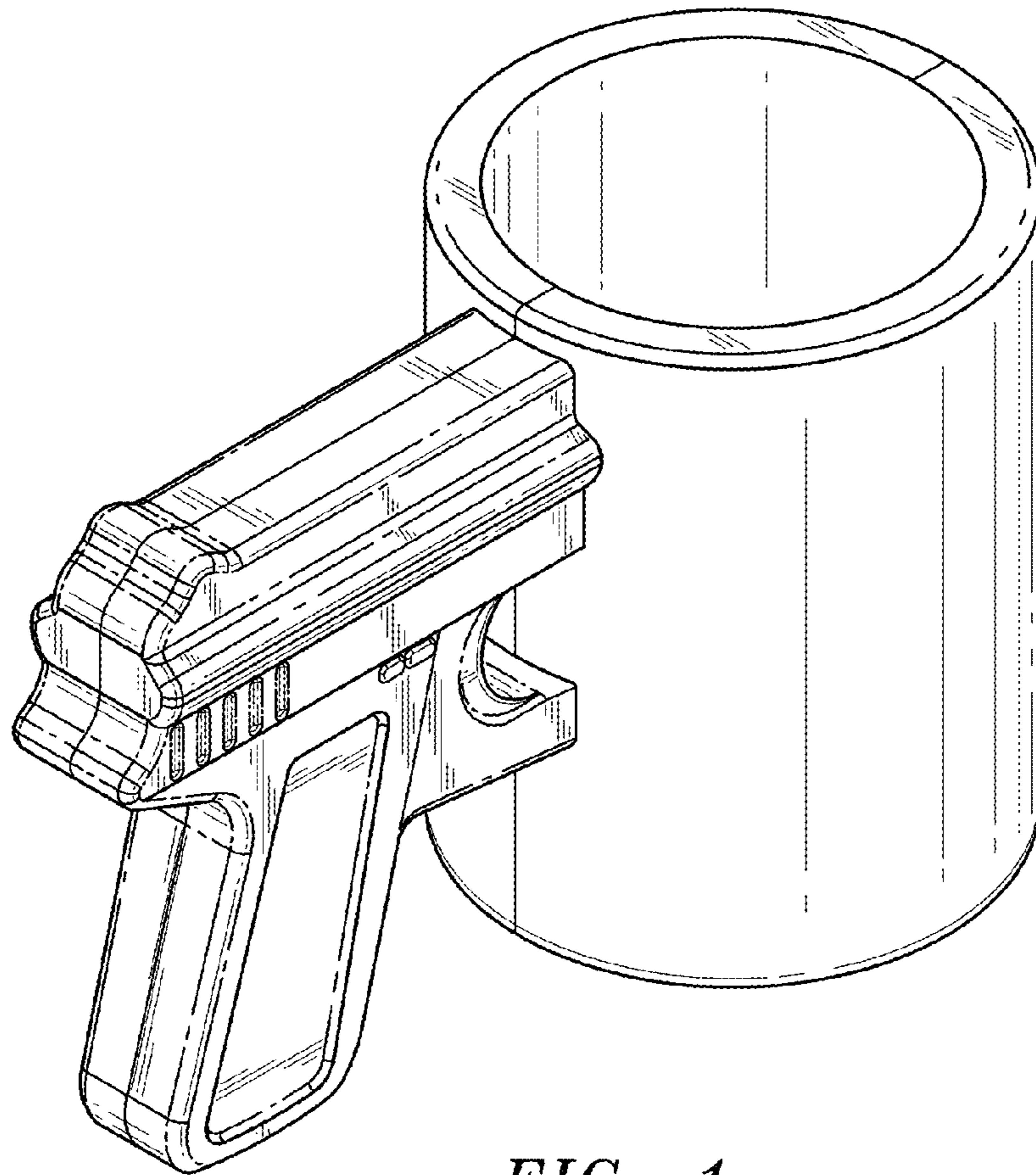
D580,710 S \* 11/2008 Huggins ..... D7/515  
D617,147 S \* 6/2010 White ..... D7/515  
8,257,134 B2 \* 9/2012 Zulloff ..... 446/220  
2006/0175347 A1 \* 8/2006 McNulty, Jr. .... 222/79  
2010/0287807 A1 \* 11/2010 Do Amarante et al. .... 42/70.06  
2012/0137559 A1 \* 6/2012 Burns, III ..... 42/70.06

OTHER PUBLICATIONS

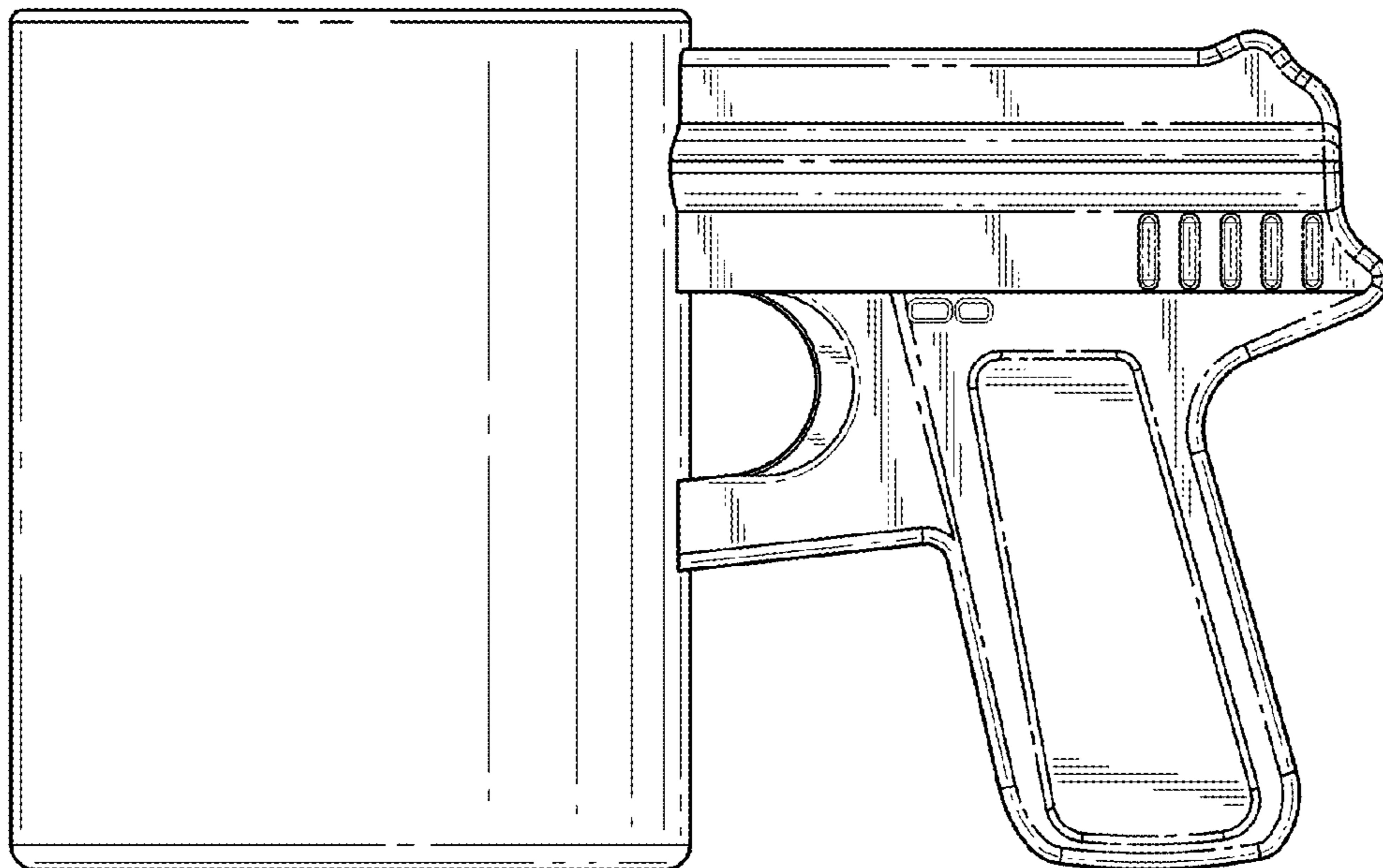
Pistol-Grip Your Gun Mug, [online], retrieved on Apr. 15, 2013.

Retrieved from, <URL: <http://www.kotulas.com/deals/gifts-and-gadgets/gifts-for-guys/pistolgrip-your-gun-mug>>, 1 page.\*

\* cited by examiner



*FIG. 1*



*FIG. 2*

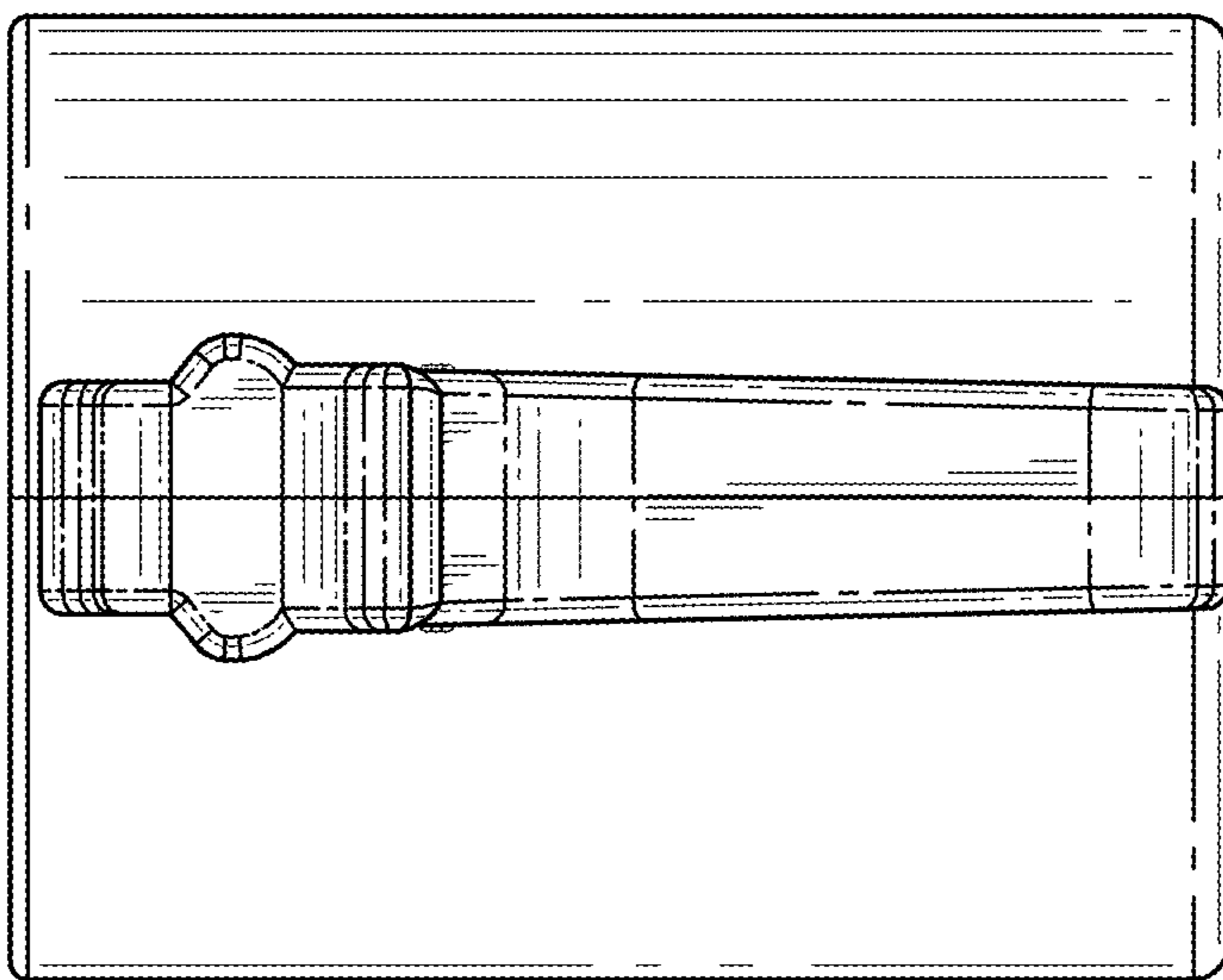


FIG. 4

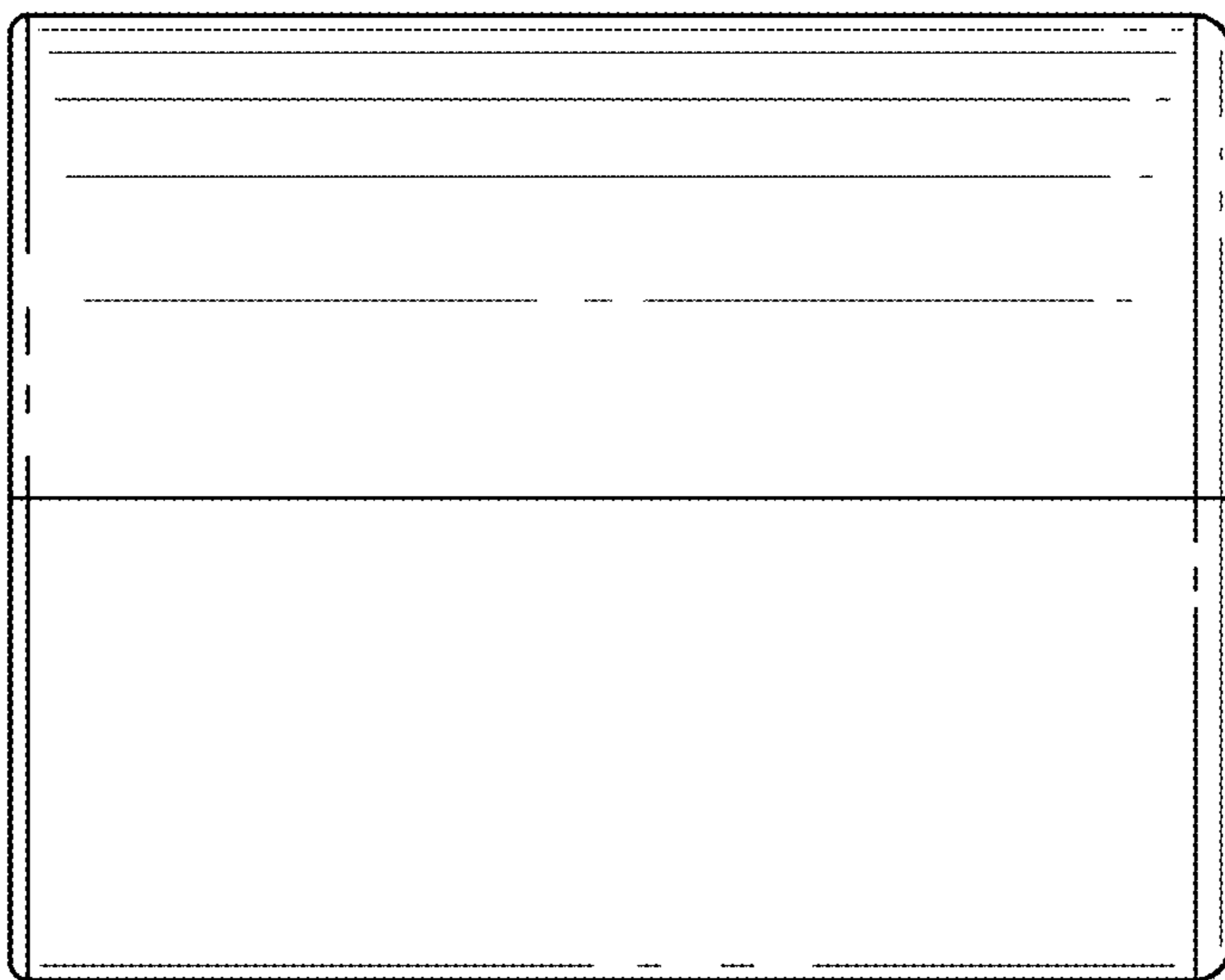
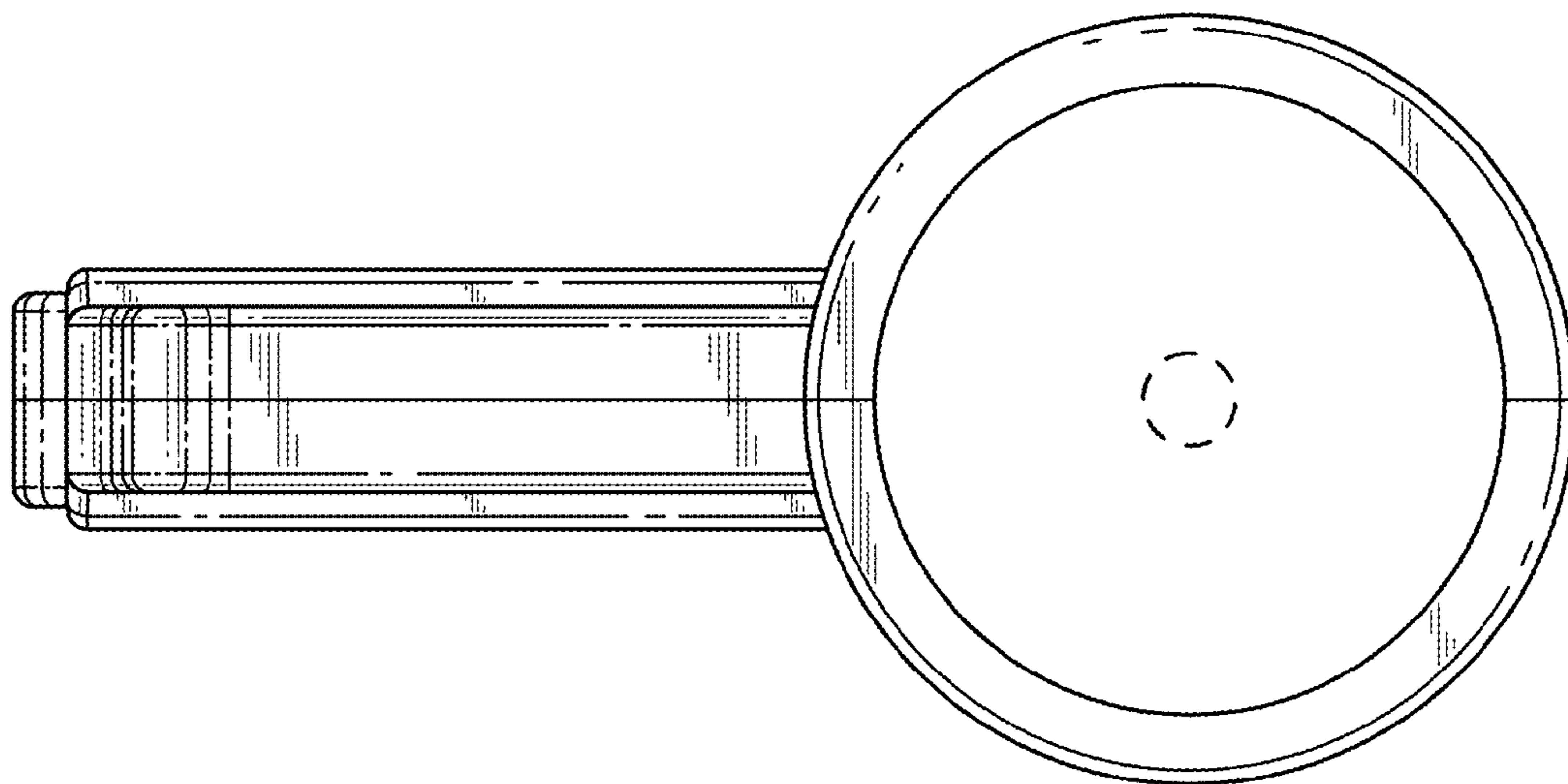
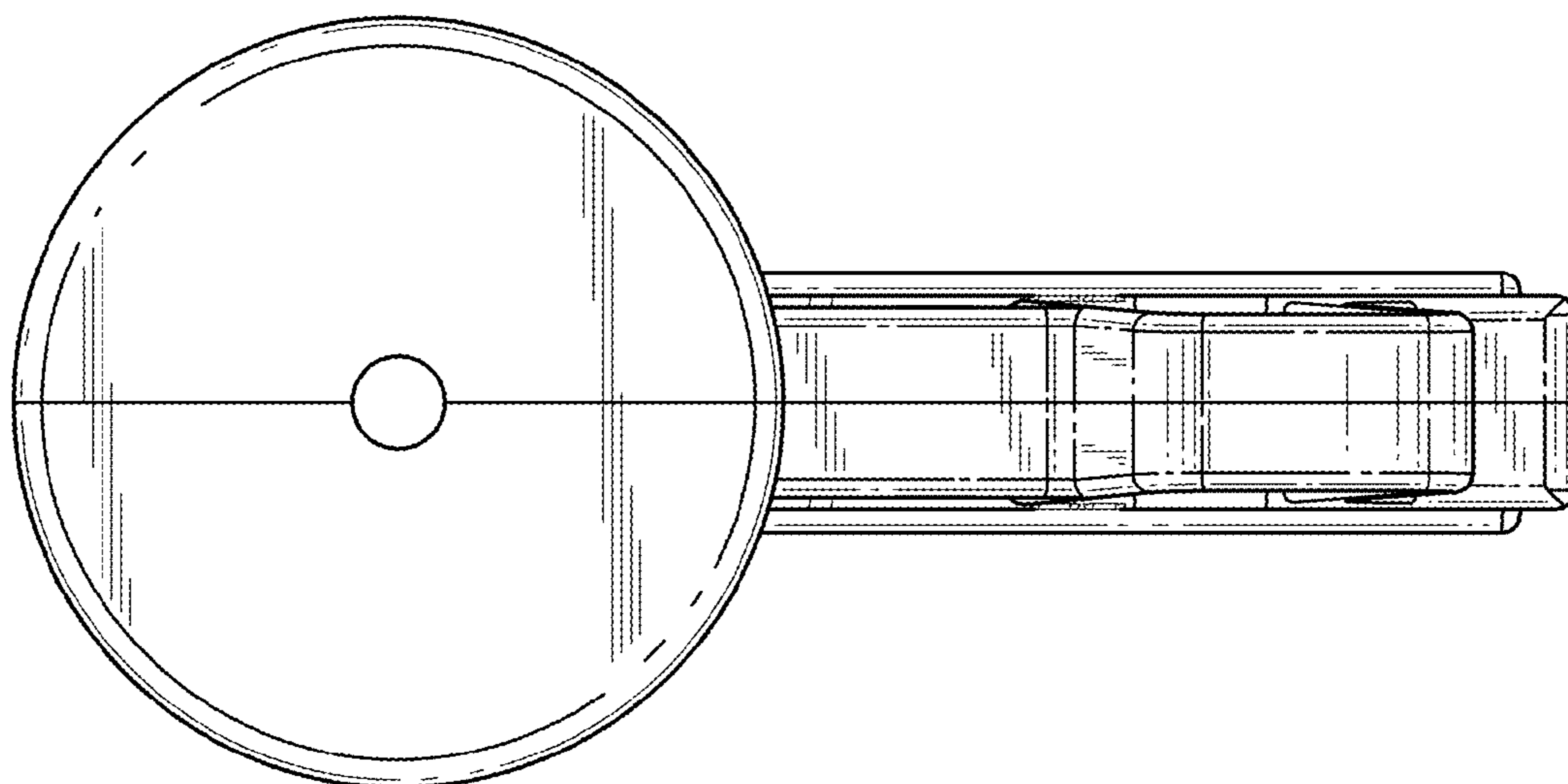


FIG. 3



*FIG. 5*



*FIG. 6*