

US00D697762S

(12) **United States Design Patent**
Carlson

(10) **Patent No.:** **US D697,762 S**
(45) **Date of Patent:** **** Jan. 21, 2014**

- (54) **CONTAINER BASE**
- (71) Applicant: **The Decor Corporation Pty. Ltd.,**
Scoresby (AU)
- (72) Inventor: **Arthur Richard Carlson,** Hawthorn
(AU)
- (73) Assignee: **The Decor Corporation Pty Ltd.,**
Scoresby, Victoria (AU)
- (**) Term: **14 Years**
- (21) Appl. No.: **29/450,670**
- (22) Filed: **Mar. 20, 2013**
- (30) **Foreign Application Priority Data**

D220,448 S	4/1971	Swett	
D224,553 S	8/1972	Swett	
D224,554 S	8/1972	Swett	
D229,916 S	1/1974	Schneider	
D232,703 S	9/1974	Konzi	
D234,568 S	3/1975	Swett	
D235,406 S	6/1975	Daenen	
D238,137 S	12/1975	Swett	
D238,148 S	12/1975	Dilot	
D240,114 S	6/1976	Martinelli	
D241,599 S	9/1976	Croyle	
D241,703 S	10/1976	Ashton	
4,046,310 A	9/1977	Gustafsson	
D256,557 S	8/1980	Ikushima et al.	
D267,703 S	1/1983	Chase et al.	
D281,048 S	* 10/1985	Wolff	D7/602
D285,906 S	9/1986	Tyler	
D287,559 S	* 1/1987	Daenen et al.	D7/586
D287,573 S	1/1987	Tyler	
D289,719 S	5/1987	Daenen et al.	

(Continued)

Sep. 21, 2012 (AU) 14739/2012

- (51) **LOC (10) Cl.** **07-07**
- (52) **U.S. Cl.**
USPC **D7/602**
- (58) **Field of Classification Search**
USPC D7/601, 602, 629, 630, 538-542;
D9/424-432; 229/406, 407;
220/780-806, 675, 669-673, 660, 236,
220/326, 324, 4.23-4.25
See application file for complete search history.

Primary Examiner — Terry Wallace
(74) *Attorney, Agent, or Firm* — Cook Alex Ltd.

(56) **References Cited**
U.S. PATENT DOCUMENTS

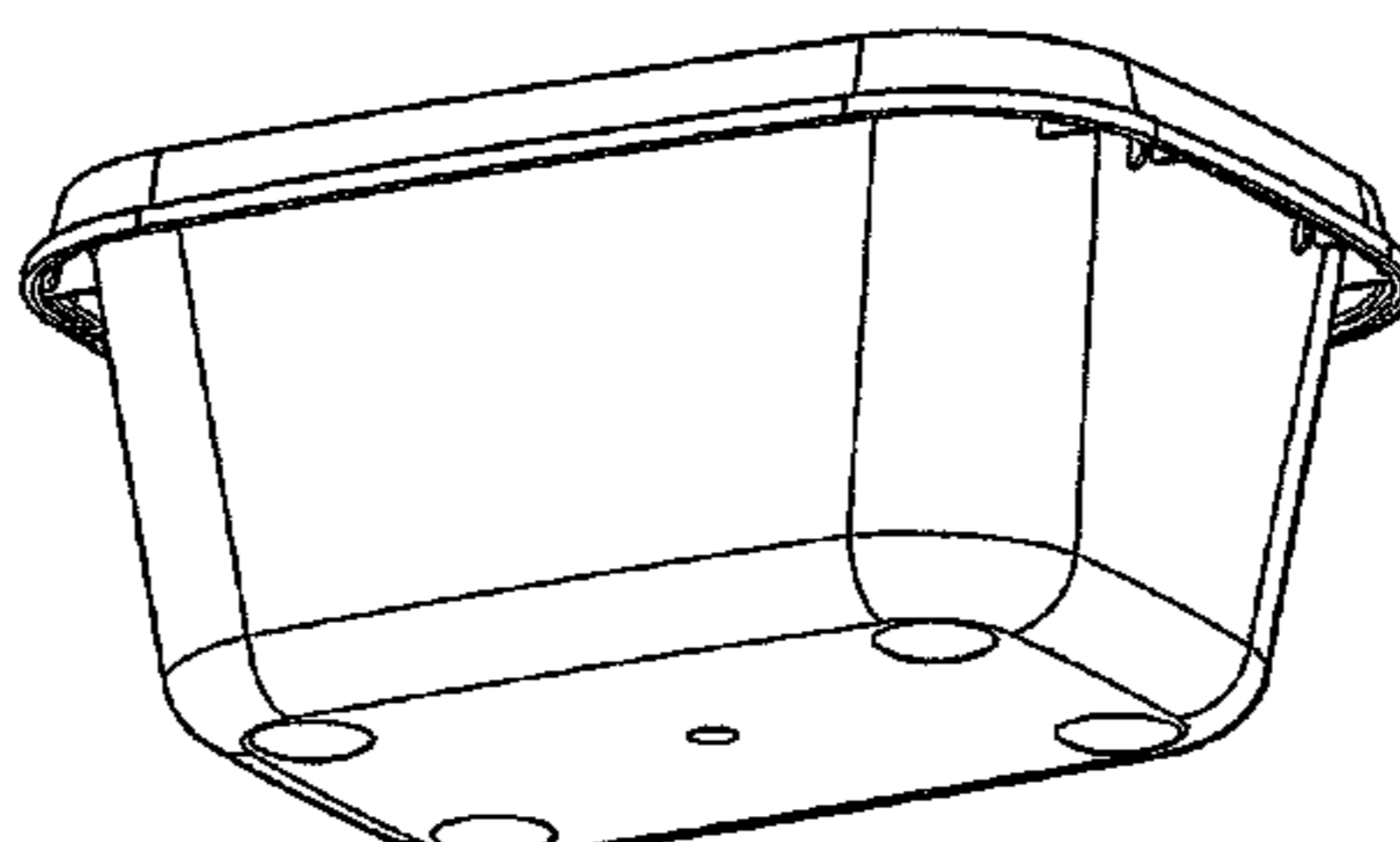
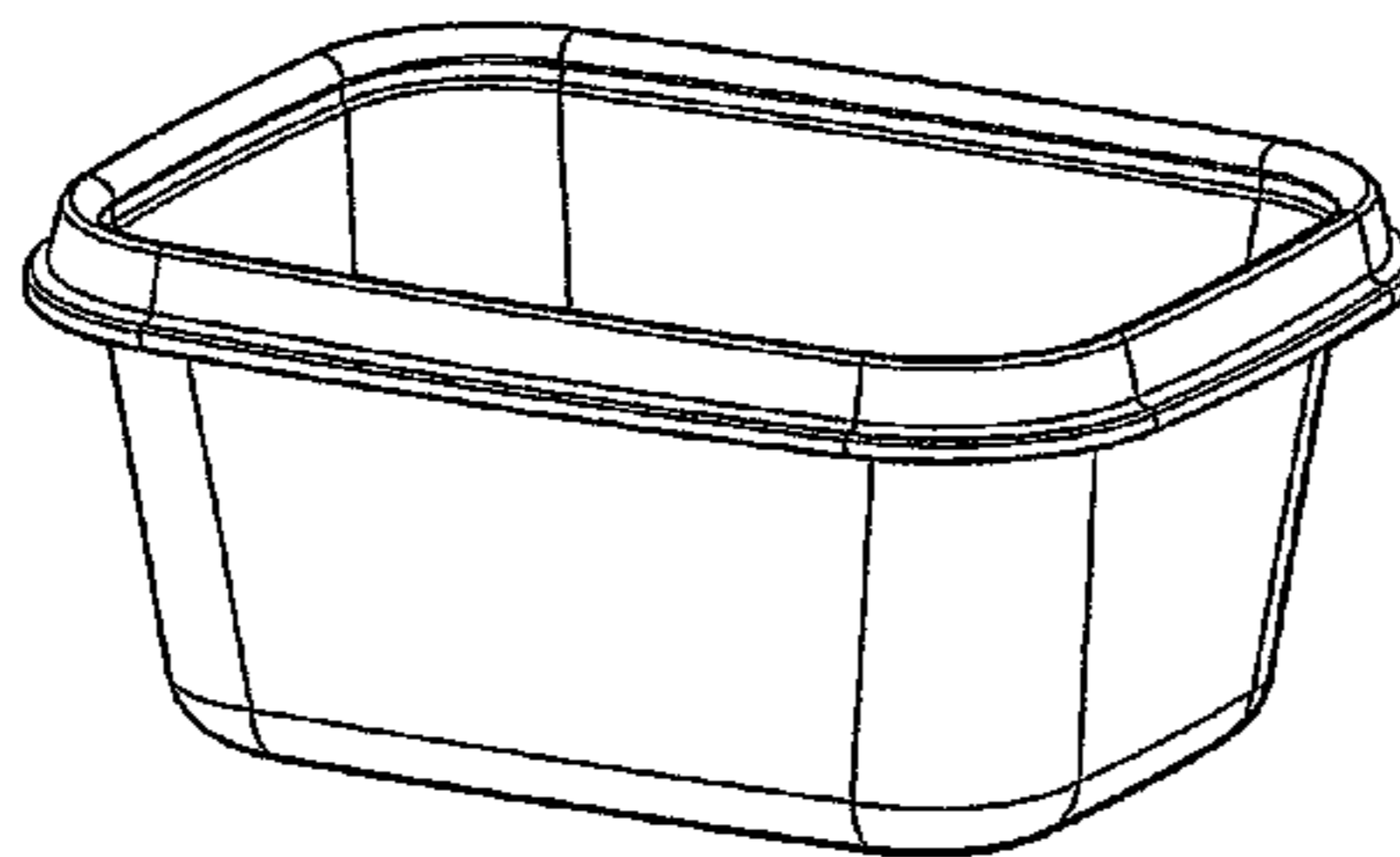
D3,357 S	2/1869	Pratt
D3,358 S	2/1869	Pratt
D117,714 S	11/1939	Guttman
D162,579 S	3/1951	Roop
D170,104 S	7/1953	'Zabel
D186,194 S	9/1959	Beverlin
3,142,413 A	7/1964	Grogel
3,384,263 A	5/1968	Bernstein

(57) **CLAIM**
The ornamental design for a container base, as shown and described.

DESCRIPTION

FIG. 1 is a front perspective view, from above, of the claimed design;
FIG. 2 is a rear perspective view, from beneath, of the claimed design;
FIG. 3 is a top plan view of the claimed design;
FIG. 4 is an underneath view of the claimed design;
FIG. 5 is a front view of the claimed design;
FIG. 6 is a rear view of the claimed design;
FIG. 7 is a left side view of the claimed design; and,
FIG. 8 is a right side view of the claimed design.

1 Claim, 4 Drawing Sheets



(56)

References Cited

U.S. PATENT DOCUMENTS

4,819,824	A *	4/1989	Longbottom et al.	220/266	D555,476	S	11/2007	Nielsen et al.
D305,410	S	1/1990	Tyler		D571,200	S	6/2008	Bouveret et al.
5,065,887	A	11/1991	Schuh et al.		D581,204	S	11/2008	Simon et al.
D326,391	S	5/1992	Verchere		D584,145	S	1/2009	Young
D330,660	S	11/1992	Newton et al.		D588,914	S	3/2009	Laurieu-Tedeschi
D342,817	S	12/1993	Lippisch et al.		D593,855	S	6/2009	Scheve
D351,791	S	10/1994	Morris, Sr.		D595,128	S	6/2009	Bouveret et al.
D354,655	S	1/1995	Daenen et al.		D601,386	S	10/2009	Carlson
D358,328	S	5/1995	Huerto et al.		D601,387	S	10/2009	Carlson
D360,898	S	8/1995	Huerto et al.		D601,388	S	10/2009	Carlson
D363,662	S	10/1995	Plater		D601,857	S	10/2009	Carlson
D365,273	S	12/1995	Indekeu		D614,919	S *	5/2010	Carlson D7/602
D375,654	S	11/1996	Ferris		D618,516	S	6/2010	DiPietro et al.
D375,836	S	11/1996	Conti		D630,899	S	1/2011	Samartgis
D377,739	S	2/1997	Carlson		D630,900	S	1/2011	Samartgis
D379,287	S	5/1997	Carlson		D630,901	S	1/2011	Samartgis
D384,864	S	10/1997	Carlson		D631,298	S	1/2011	Samartgis
D403,582	S	1/1999	Nask et al.		D631,299	S	1/2011	Samartgis
D403,583	S	1/1999	Nask et al.		D631,300	S	1/2011	Samartgis
D403,924	S	1/1999	Carlson		D631,706	S	2/2011	Samartgis
D404,571	S	1/1999	Evans		D631,707	S	2/2011	Samartgis
D413,231	S	8/1999	Loew et al.		D642,905	S	8/2011	Samartgis
D420,859	S	2/2000	Loew et al.		D642,906	S	8/2011	Samartgis
D428,310	S	7/2000	Zettle et al.		D642,907	S	8/2011	Samartgis
D440,725	S	4/2001	Zimmerman		D643,710	S	8/2011	Samartgis
D446,117	S	8/2001	Conti		D643,711	S	8/2011	Samartgis
D448,133	S	9/2001	Windle		D643,712	S	8/2011	Samartgis
D457,784	S	5/2002	Torniainen et al.		D644,883	S	9/2011	Samartgis
D469,320	S	1/2003	Pettaweebuncha		D644,884	S	9/2011	Samartgis
D484,797	S	1/2004	Kipperman et al.		D644,885	S	9/2011	Samartgis
D513,376	S	1/2006	Shannon		D644,886	S *	9/2011	Samartgis D7/602
D536,248	S	2/2007	Lesquir		D644,887	S	9/2011	Samartgis
D540,669	S	4/2007	George et al.		D644,888	S	9/2011	Samartgis
D542,591	S	5/2007	Carlson		D655,576	S	3/2012	Samartgis
D548,588	S *	8/2007	Bouveret et al.	D9/428	D655,577	S	3/2012	Samartgis
					D655,578	S	3/2012	Samartgis
					2009/0120937	A1 *	5/2009	Vovan 220/266

* cited by examiner

FIG. 1

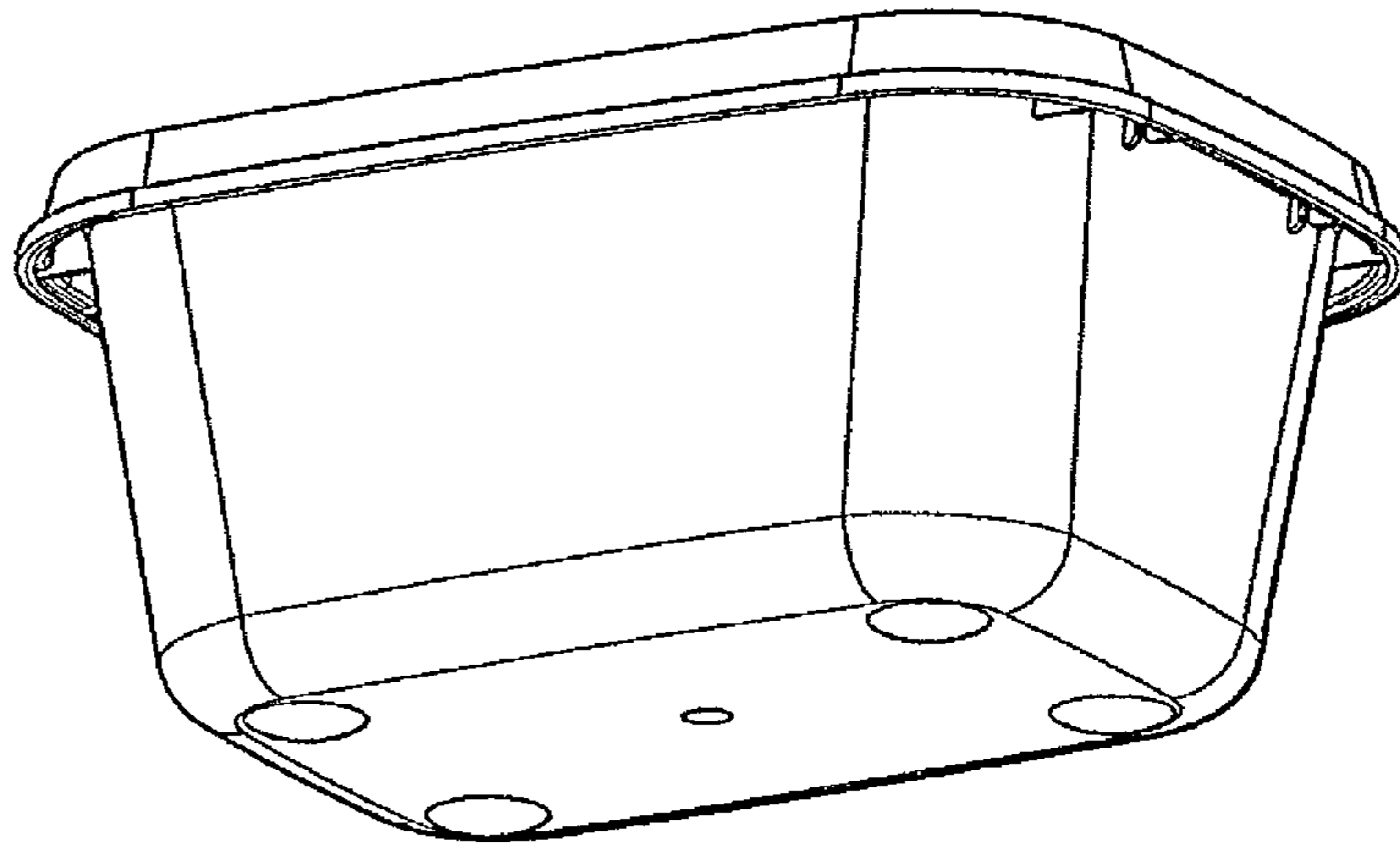
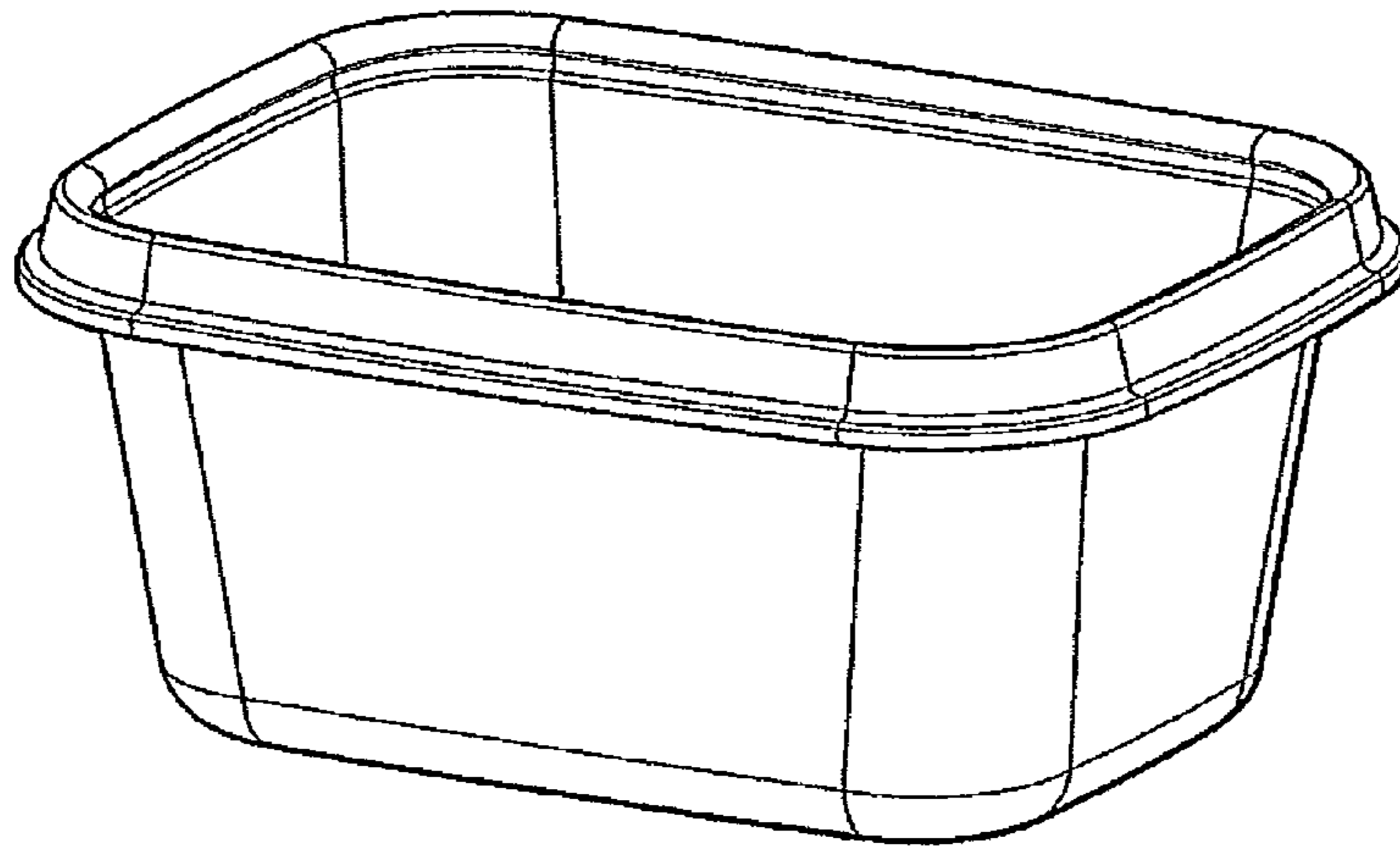


FIG. 2

FIG. 3

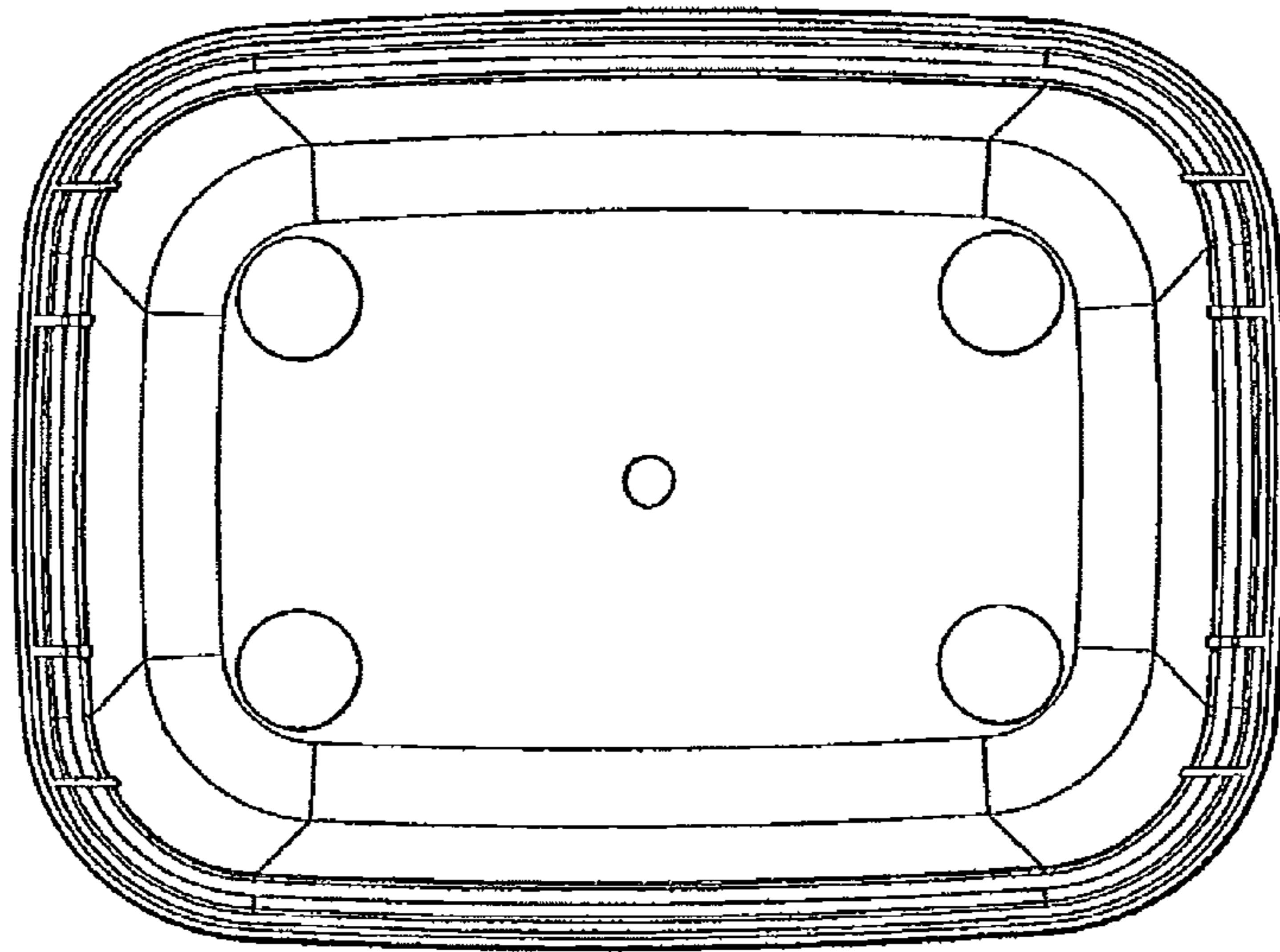
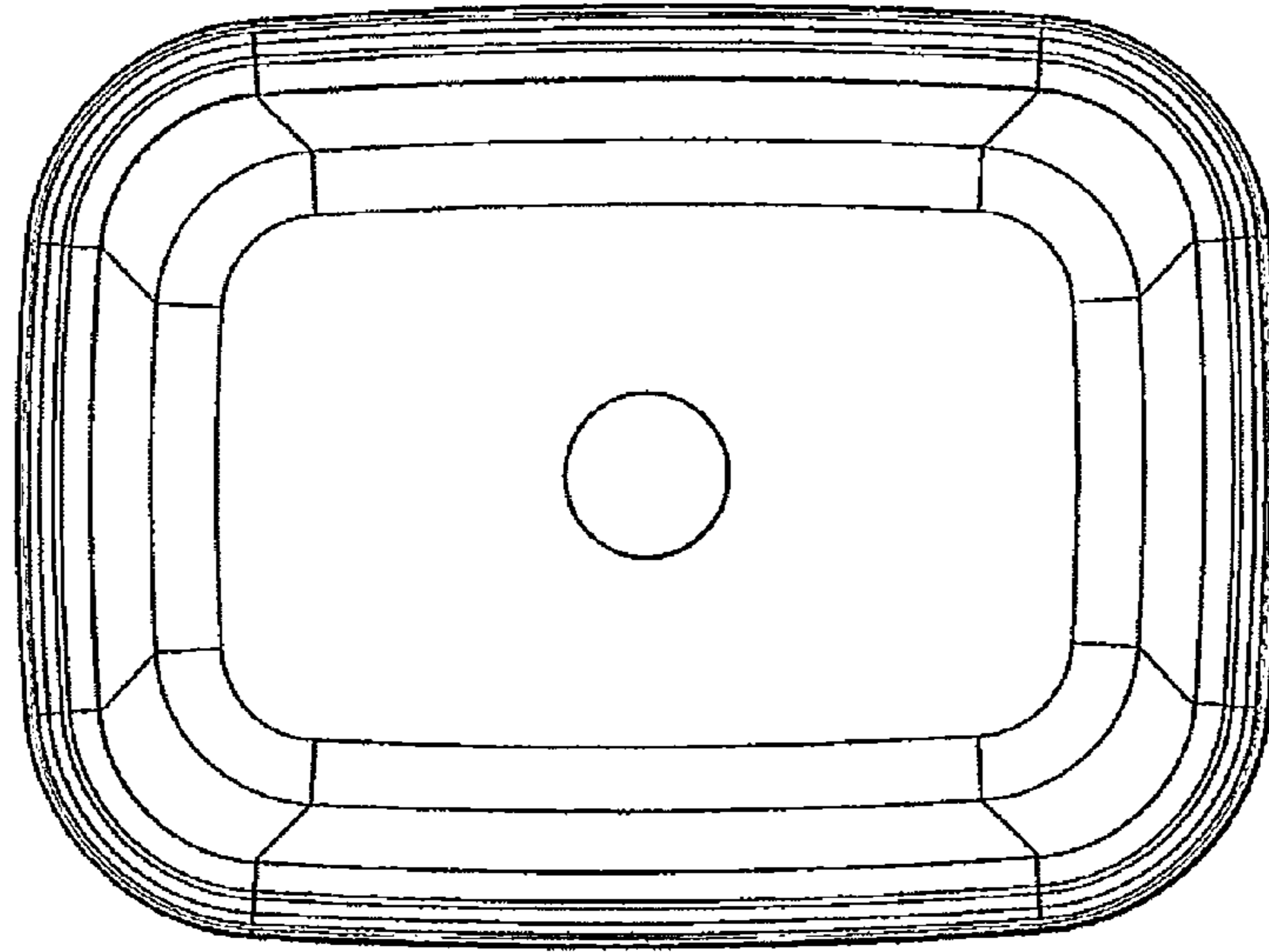


FIG. 4

FIG. 5

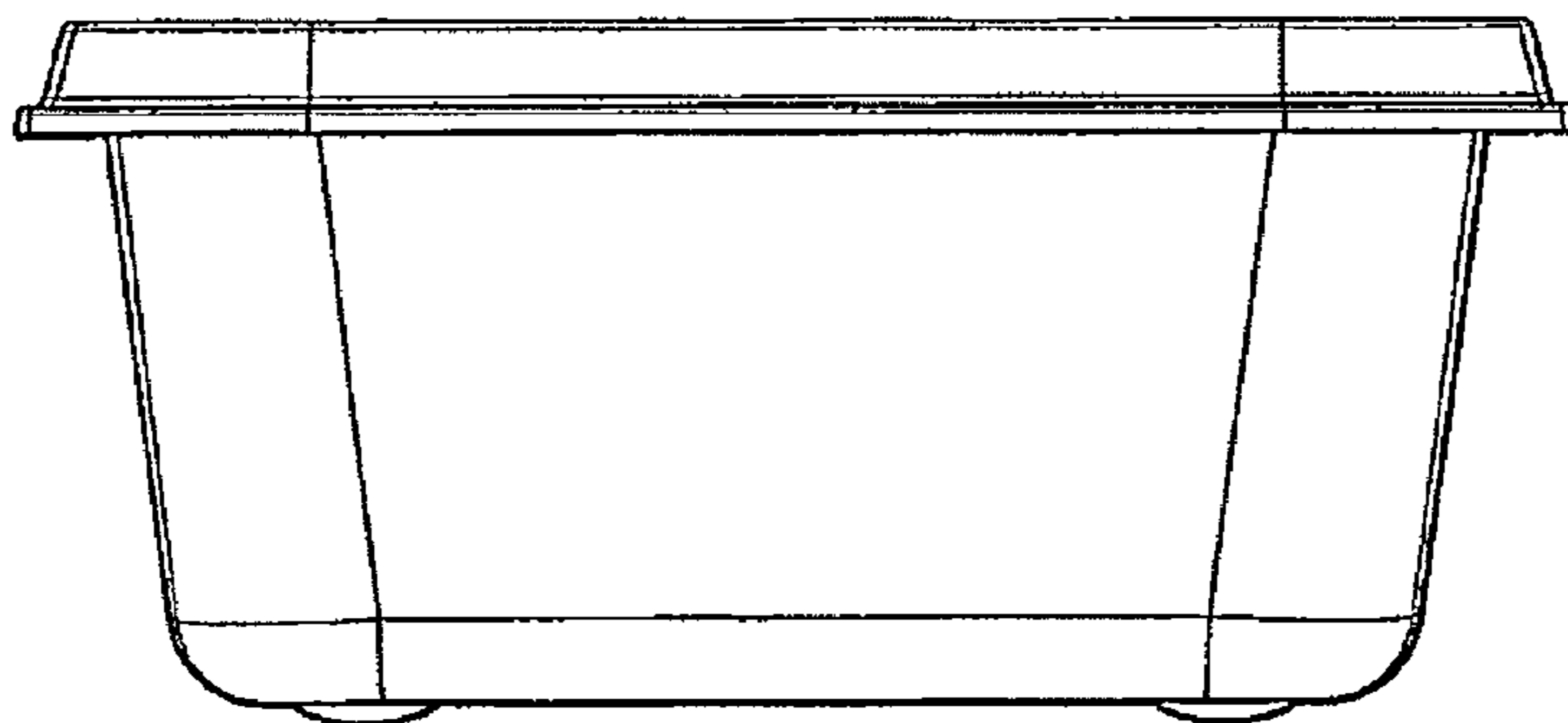


FIG. 6

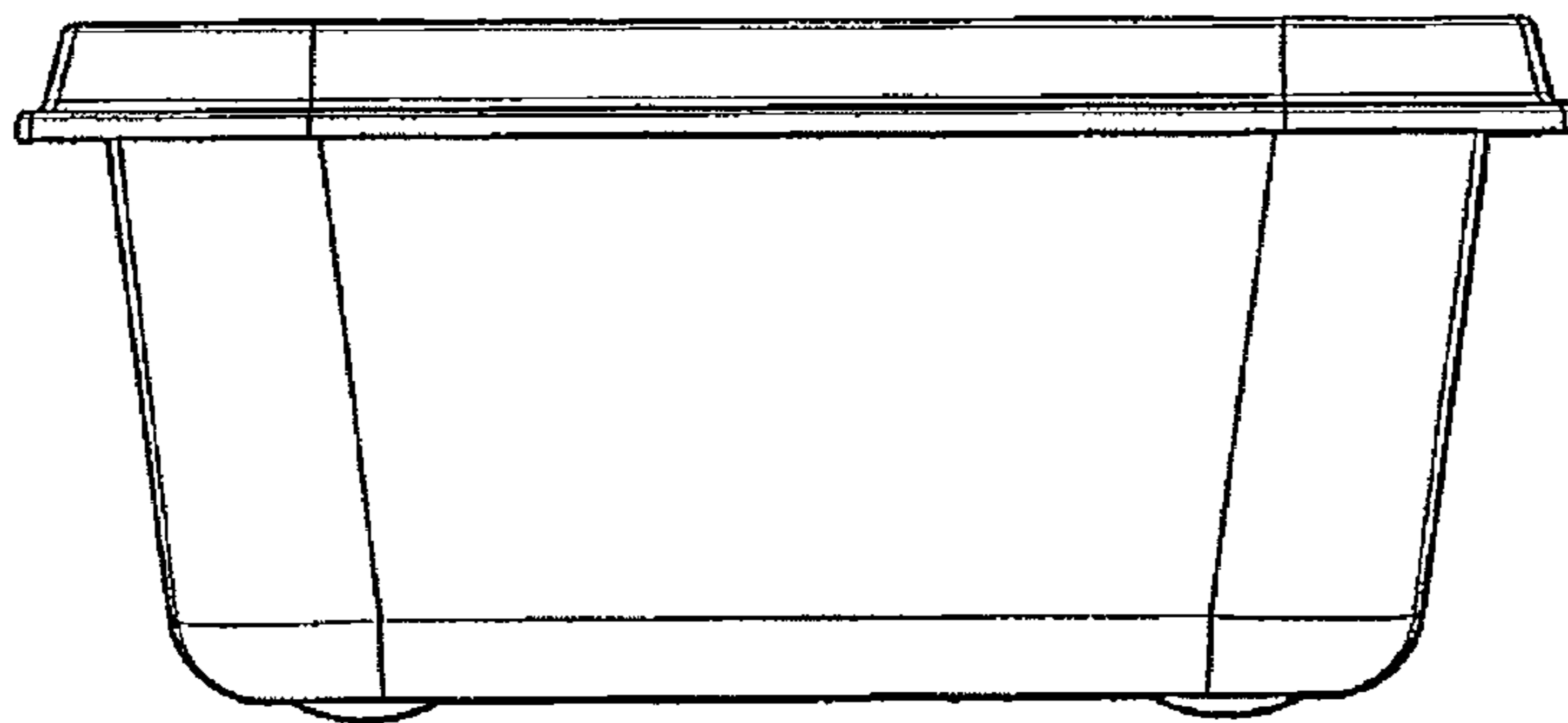


FIG. 7

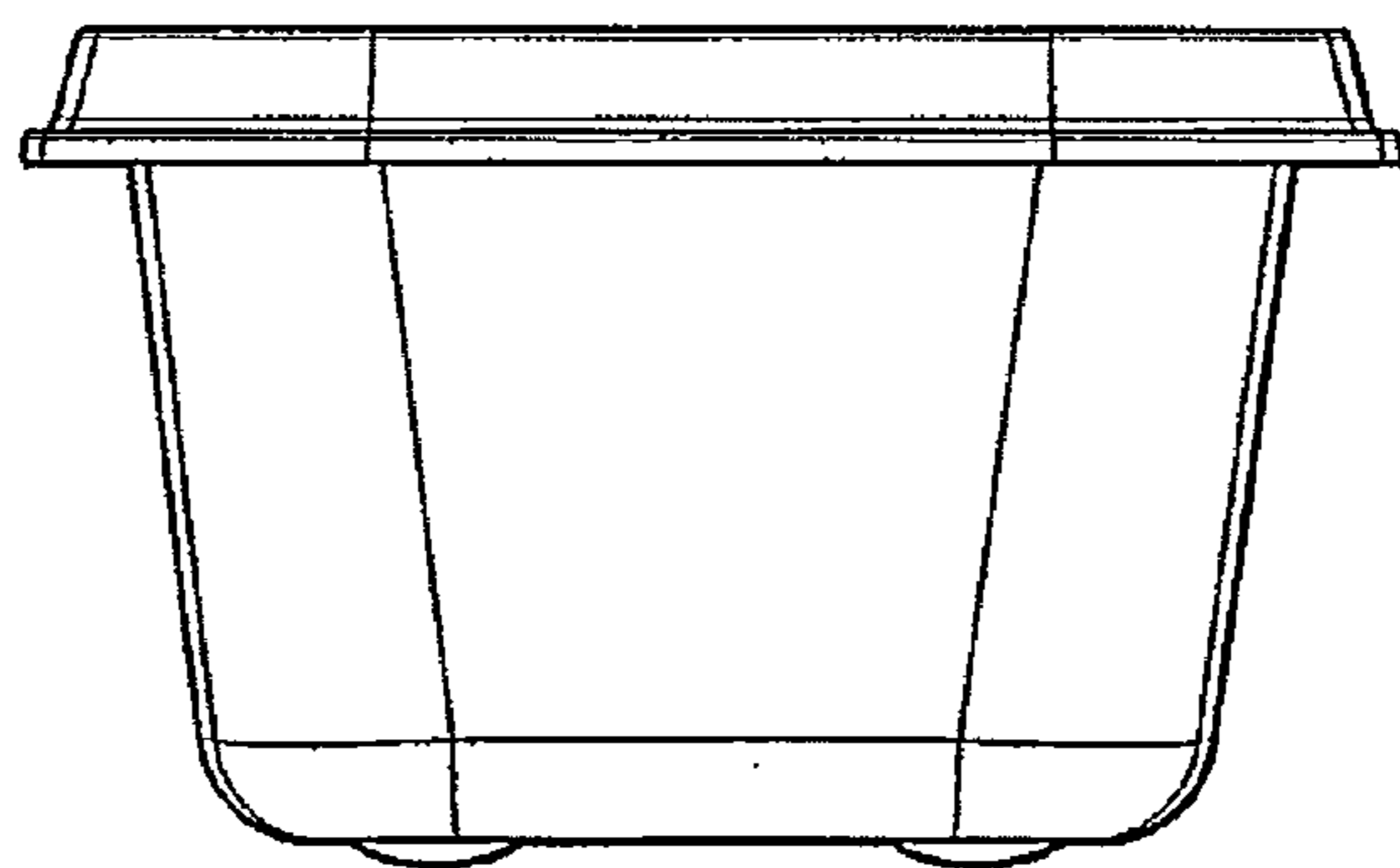


FIG. 8

