

US00D697760S

(12) **United States Design Patent**
Uchida

(10) **Patent No.:** **US D697,760 S**
(45) **Date of Patent:** **** Jan. 21, 2014**

(54) **BOWL FOR TABLE**

(71) Applicant: **Ishizuka Glass Kabushiki Kaisha,**
Iwakura (JP)

(72) Inventor: **Toshio Uchida,** Iwakura (JP)

(73) Assignee: **Ishizuka Glass Kabushiki Kaisha,**
Aichi-ken (JP)

(**) Term: **14 Years**

(21) Appl. No.: **29/446,942**

(22) Filed: **Feb. 28, 2013**

(30) **Foreign Application Priority Data**

Dec. 14, 2012 (JP) 2012-030572

(51) **LOC (10) Cl.** **07-01**

(52) **U.S. Cl.**
USPC **D7/587; D7/558; D7/560**

(58) **Field of Classification Search**

USPC D7/562, 586, 545, 561, 560, 500, 543,
D7/360, 361, 552.1, 354, 555, 566, 504,
D7/587, 565, 601, 602, 505, 558; D1/122;
D30/130; 220/751, 23.4, 574; D9/643,
D9/744; 215/382, 400

See application file for complete search history.

(56) **References Cited**

U.S. PATENT DOCUMENTS

D125,932 S * 3/1941 Guild D7/558
D220,846 S * 6/1971 Mascetti, Jr. D7/584
D256,669 S * 9/1980 Mitchell D9/428
D289,843 S * 5/1987 Ritman D7/584
5,231,850 A * 8/1993 Morris 62/457.6
D340,385 S * 10/1993 Durand D7/509
5,916,614 A * 6/1999 Gorlich 426/129
D456,673 S * 5/2002 Kerman D7/545

D468,590 S * 1/2003 Jalet et al. D7/586
D484,365 S * 12/2003 Wyche D7/587
6,986,437 B2 * 1/2006 Jalet et al. 220/662
D542,098 S * 5/2007 Wasserman et al. D7/584
D578,414 S * 10/2008 Owen D10/46.2
D578,830 S * 10/2008 Freeman D7/586
D584,966 S * 1/2009 Owen D10/46.2
D607,720 S * 1/2010 Masotti et al. D9/424
D618,513 S * 6/2010 Wolhendler D7/586

(Continued)

FOREIGN PATENT DOCUMENTS

JP 1433562 2/2012
JP 1437325 4/2012

Primary Examiner — Cynthia Underwood

(74) *Attorney, Agent, or Firm* — Cheng Law Group, PLLC

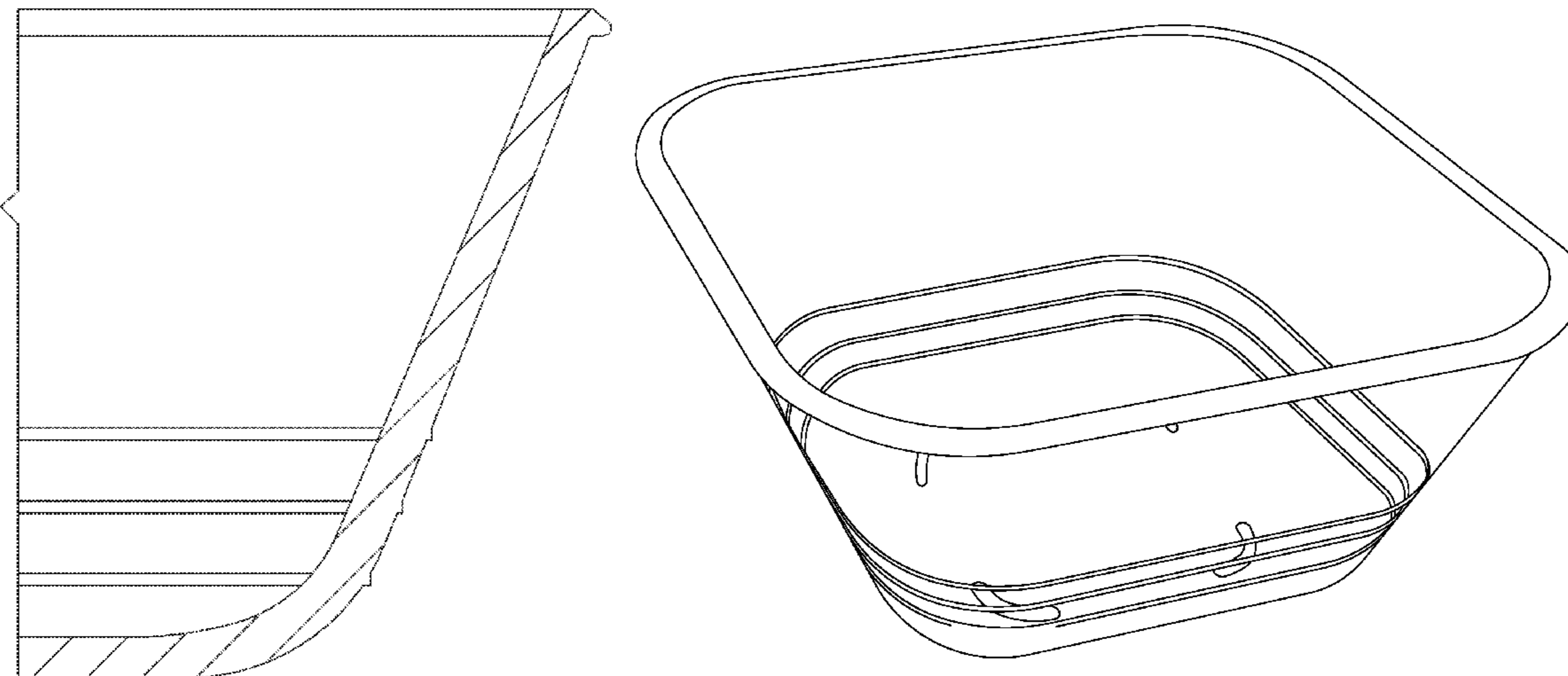
(57) **CLAIM**

The ornamental design for a bowl for table, as shown and described.

DESCRIPTION

FIG. 1 is a front view of a bowl for table showing my new design, the back being identical;
FIG. 2 is a right side view thereof, the left side being identical;
FIG. 3 is a top plan view thereof;
FIG. 4 is a bottom plan view thereof;
FIG. 5 is a cross-sectional view thereof, taken on line 5-5 of FIG. 3;
FIG. 6 is a cross-sectional view thereof, taken on line 6-6 of FIG. 3;
FIG. 7 is a partial, enlarged cross-sectional view thereof, taken on the line 7-7 of FIG. 6; and,
FIG. 8 is a perspective view thereof.
The back view of the bowl for table is identical to the front view shown in FIG. 1 and thus is omitted;
The left side view of the bowl for table is identical to the right side view shown in FIG. 2 and thus is omitted.

1 Claim, 8 Drawing Sheets



US D697,760 S

Page 2

(56)

References Cited

U.S. PATENT DOCUMENTS

D618,514 S	*	6/2010	Wolhendler	D7/586	
D625,851 S	*	10/2010	Furner et al.	D26/22	* cited by examiner
D649,085 S	*	11/2011	Tremblay et al.	D11/155	
D667,151 S	*	9/2012	Arslanian	D26/9	
D670,136 S	*	11/2012	Williams et al.	D7/587	

Fig. 1

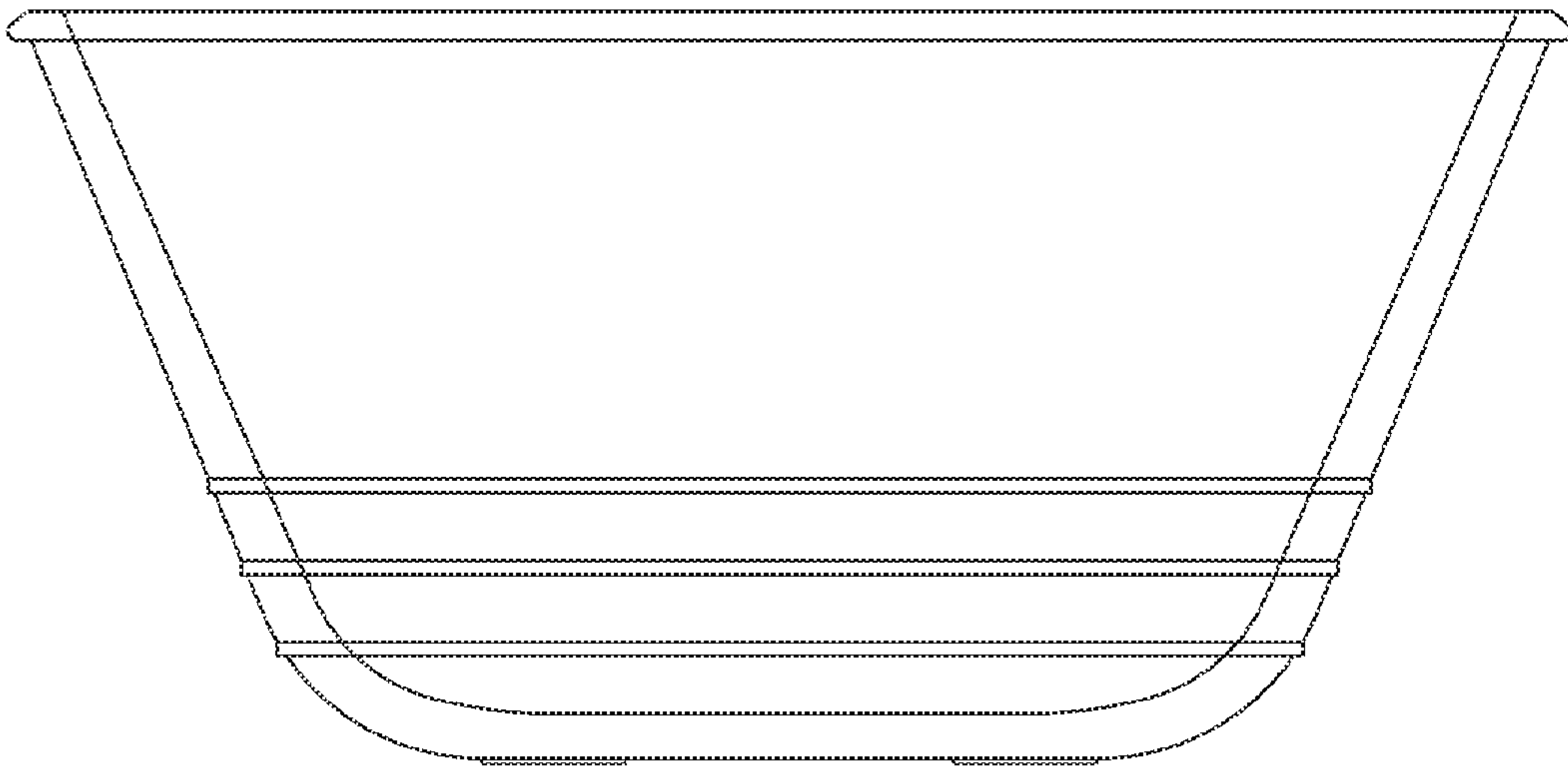


Fig.2

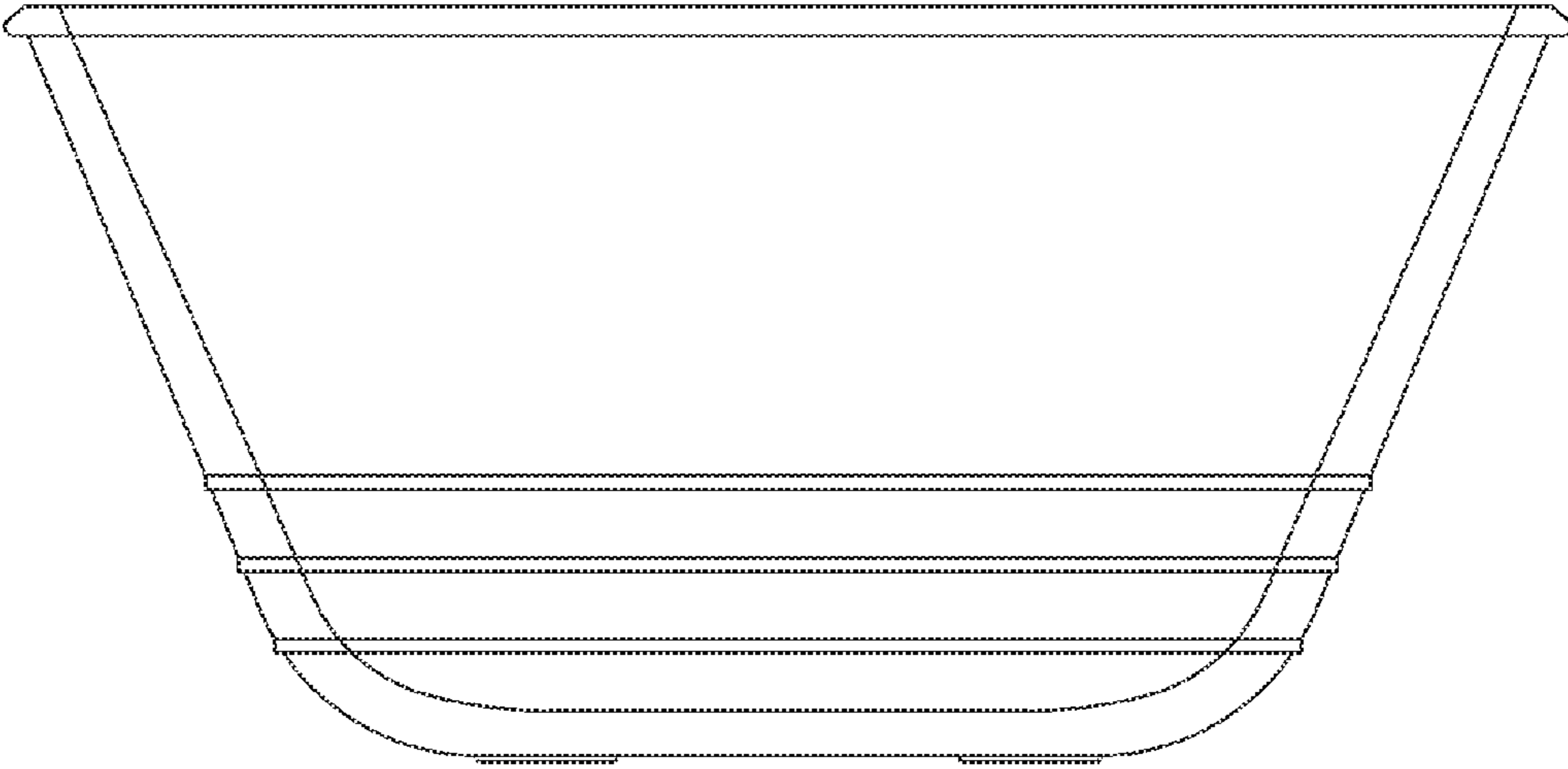


Fig.3

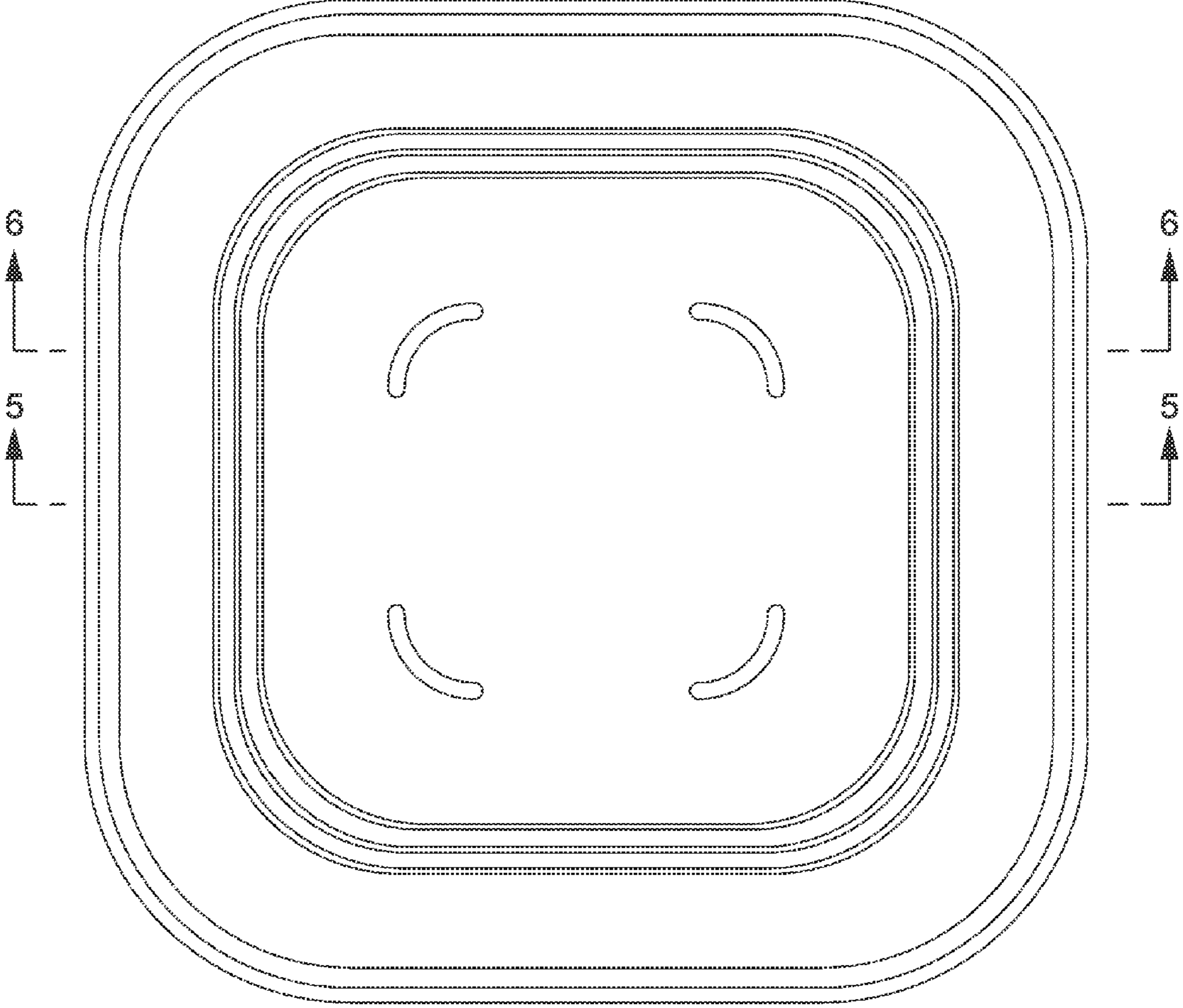


Fig.4

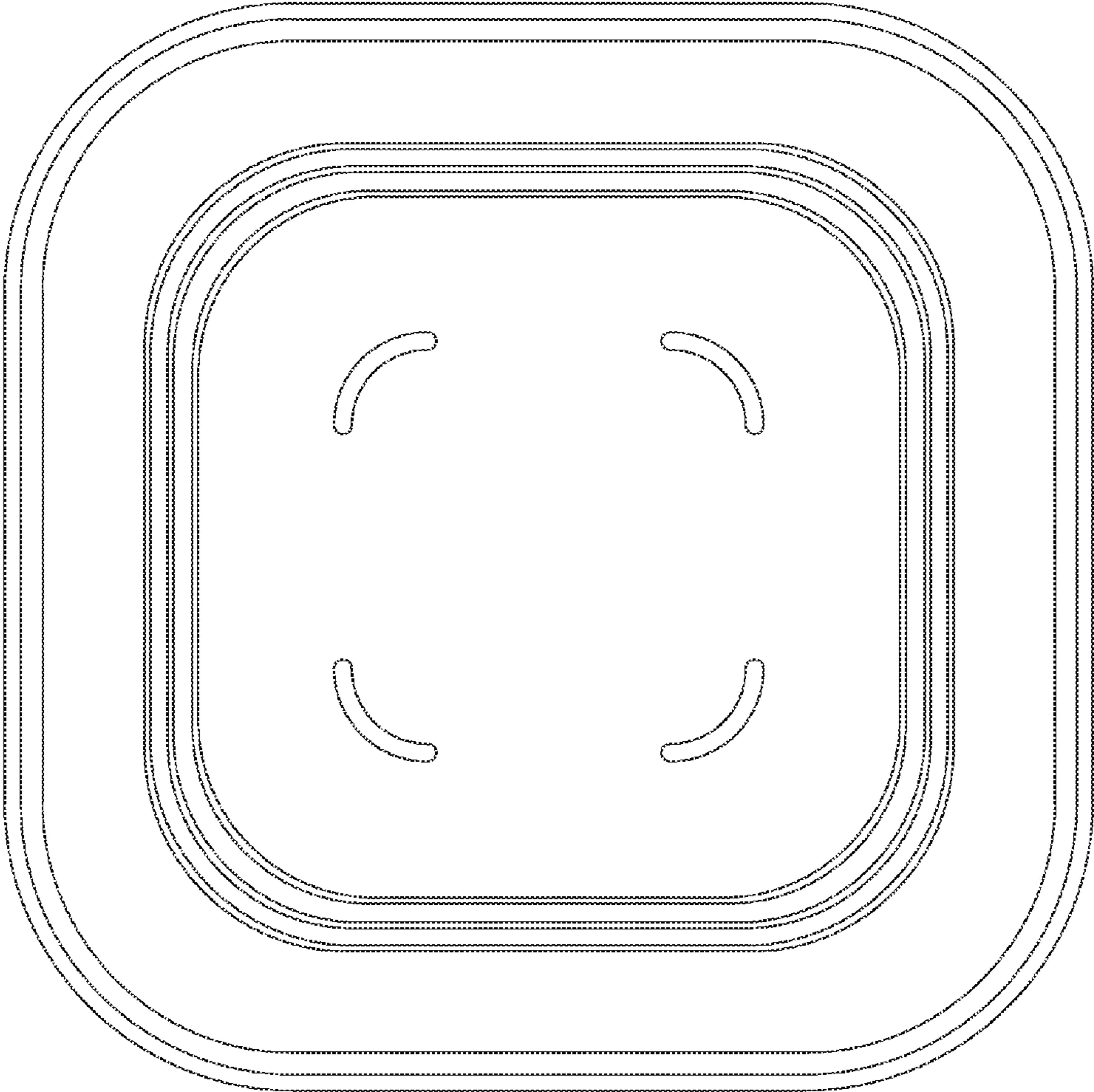


Fig.5

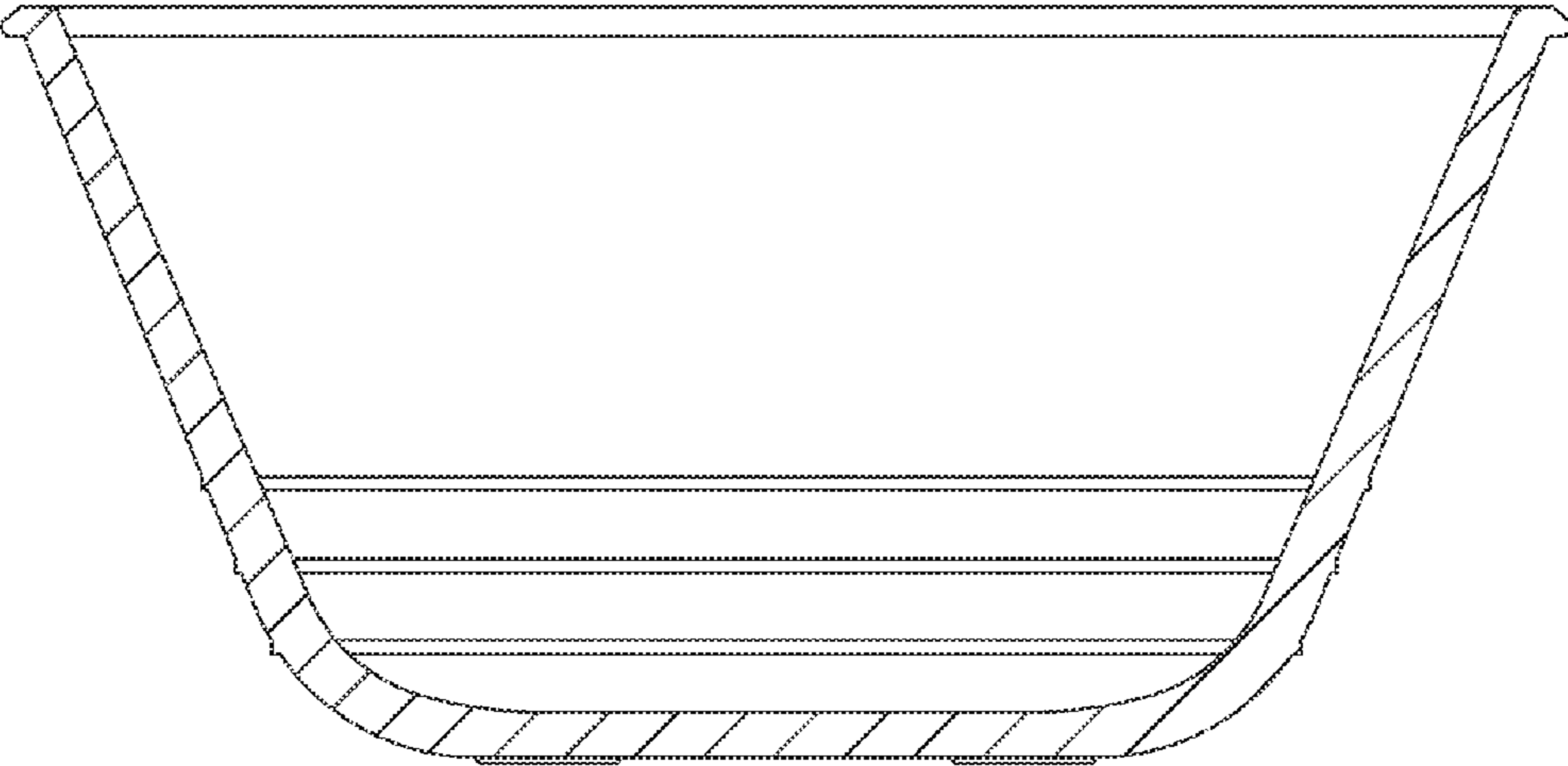


Fig.6

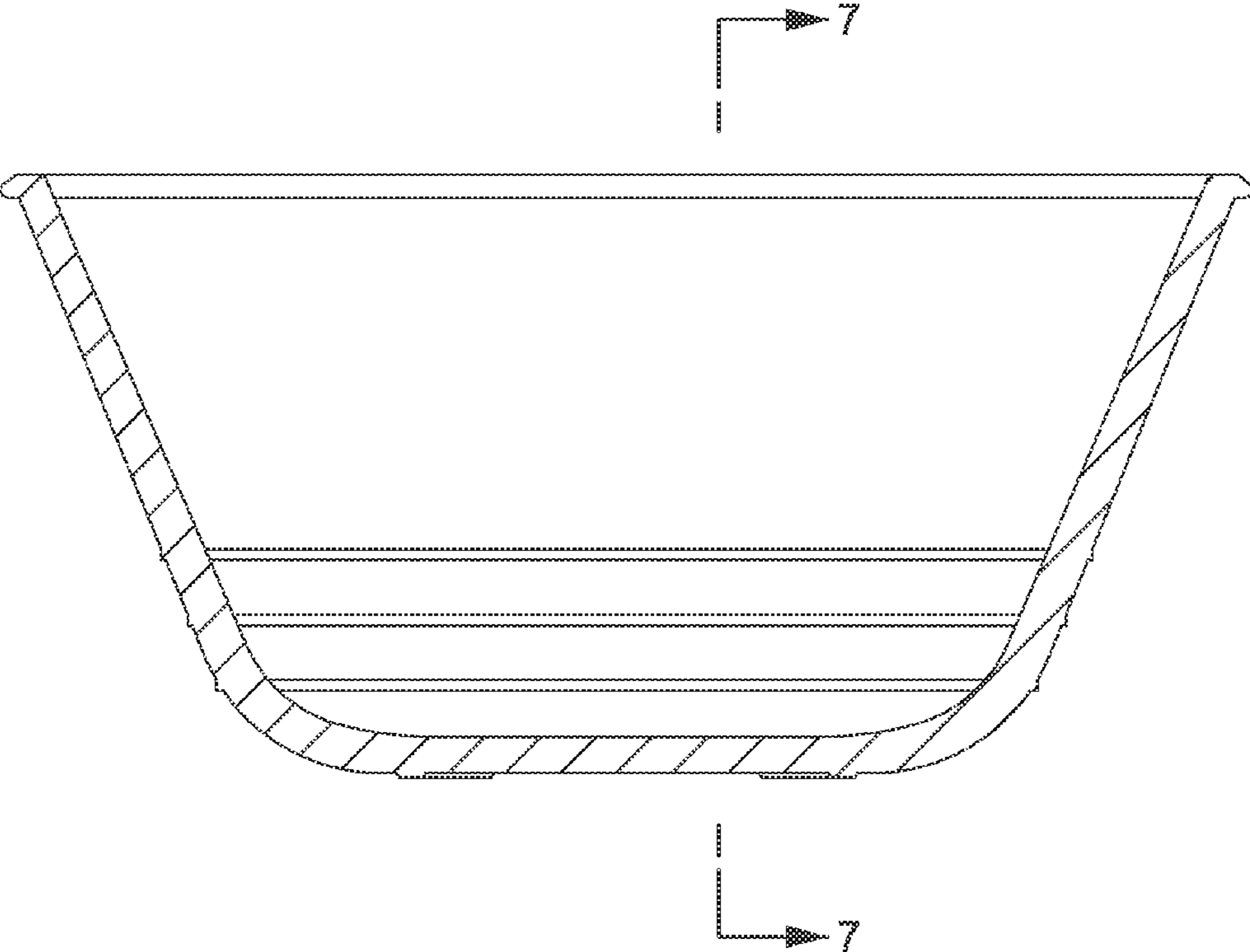


Fig.7

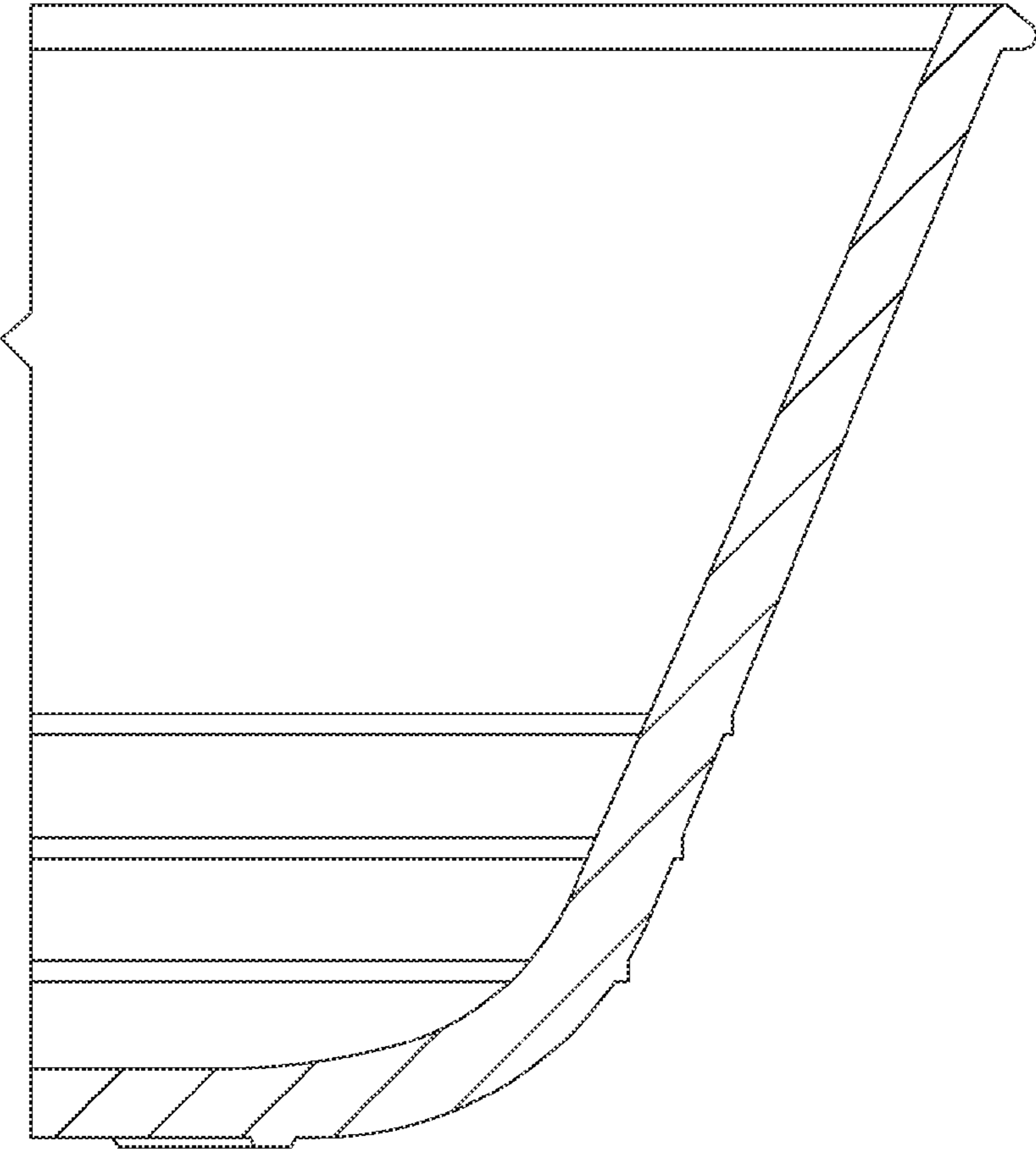


Fig.8

