



US00D697755S

(12) **United States Design Patent**  
**Funnell, II et al.**

(10) **Patent No.:** **US D697,755 S**  
(45) **Date of Patent:** **\*\* Jan. 21, 2014**

(54) **ILLUMINATABLE CONTROL PANEL FOR A RANGE**

(56) **References Cited**

U.S. PATENT DOCUMENTS

(71) Applicant: **BSH Home Appliances Corporation**,  
Irvine, CA (US)

D179,925 S *	3/1957	Titus .....	D7/406
D201,334 S *	6/1965	Gault .....	D7/406
D513,463 S *	1/2006	Wong et al. ....	D7/406
D513,684 S *	1/2006	Jackovin et al. ....	D7/406
D516,862 S *	3/2006	Grutzke et al. ....	D7/405
D628,438 S *	12/2010	Knochner .....	D7/405
D642,751 S *	8/2011	Jenkins et al. ....	D32/3
D645,621 S *	9/2011	Jenkins et al. ....	D32/3
D645,702 S *	9/2011	Baacke et al. ....	D7/405
D645,703 S *	9/2011	Sadtler .....	D7/405
D654,312 S *	2/2012	Benold .....	D7/402
D668,109 S *	10/2012	Borjesson .....	D7/406
D668,110 S *	10/2012	Borjesson .....	D7/406
D668,112 S *	10/2012	Borjesson .....	D7/406

(72) Inventors: **Richard W. Funnell, II**, Corona del  
Mar, CA (US); **Jonathan Grey**,  
Huntersville, NC (US); **Graham**  
**Sadtler**, Huntington Beach, CA (US)

(73) Assignee: **BSH Home Appliances Corporation**,  
Irvine, CA (US)

(\*\*) Term: **14 Years**

\* cited by examiner

(21) Appl. No.: **29/450,598**

*Primary Examiner* — T. Chase Nelson

*Assistant Examiner* — Mark Cavanna

(22) Filed: **Mar. 20, 2013**

(74) *Attorney, Agent, or Firm* — James E. Howard; Andre  
Pallapies

**Related U.S. Application Data**

(57) **CLAIM**

(62) Division of application No. 29/425,868, filed on Jun.  
28, 2012, now Pat. No. Des. 684,422, which is a  
division of application No. 29/409,181, filed on Dec.  
21, 2011, now Pat. No. Des. 668,105, which is a  
division of application No. 29/389,416, filed on Apr.  
12, 2011, now Pat. No. Des. 656,776.

The ornamental design for an illuminatable control panel for  
a range, as shown and described.

(51) **LOC (10) Cl.** ..... **07-02**

**DESCRIPTION**

(52) **U.S. Cl.**

USPC ..... **D7/406**

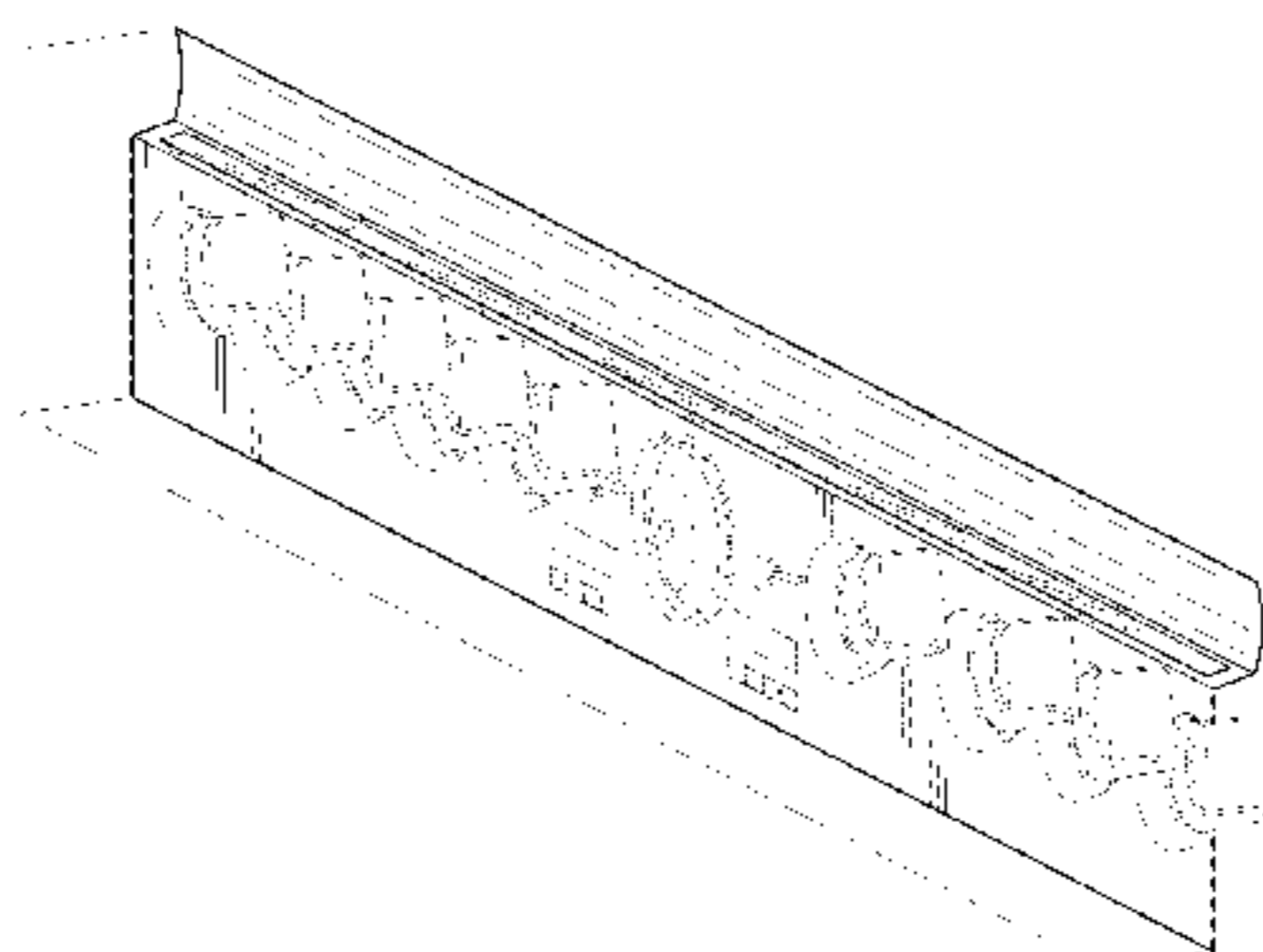
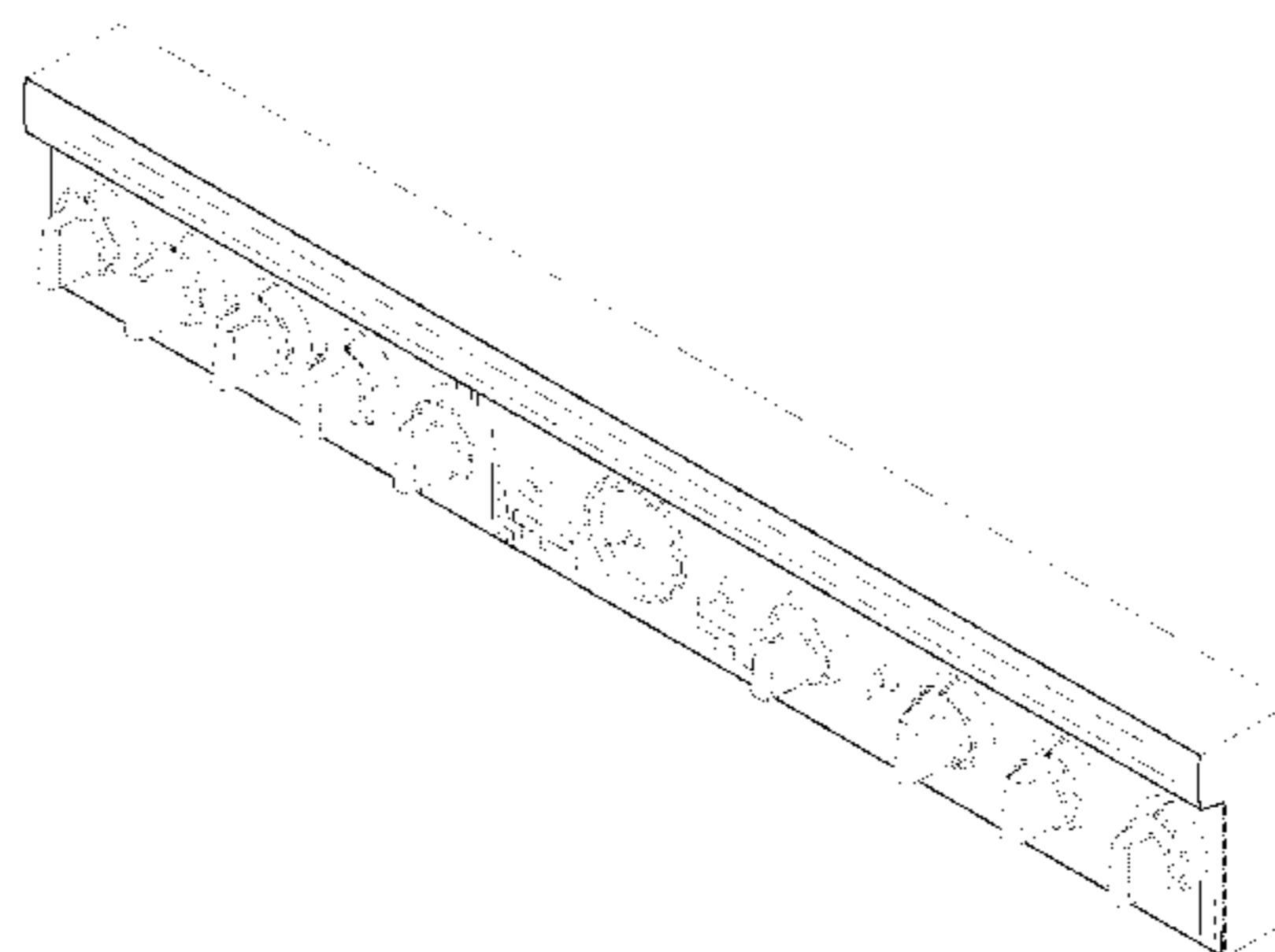
(58) **Field of Classification Search**

USPC ..... D7/340, 348, 350.1–350.4, 351, 402,  
D7/405–406; 219/756–758, 391, 393, 395,  
219/401; 126/19 M, 275 E; 99/348, 353,  
99/367, 468; D32/3, 28

FIG. 1 is a front perspective view of an illuminatable control  
panel for a range according to our new ornamental design;  
FIG. 2 is a front view thereof;  
FIG. 3 is a bottom view thereof showing a plurality of LED  
lights in broken lines;  
FIG. 4 is a top view thereof;  
FIG. 5 is a bottom perspective view thereof showing a plu-  
rality of LED lights in broken lines; and,  
FIG. 6 is a cross section taken along lines 25-25 of FIG. 4.  
The broken lines are included for the purpose of illustrating  
portions of the illuminatable control panel for a range that  
forms no part of the claimed design.  
Throughout the drawings, various views may not be pro-  
vided, as the components in these views are unornamented or  
the ornamentation in these views is simply unclaimed.

See application file for complete search history.

**1 Claim, 4 Drawing Sheets**



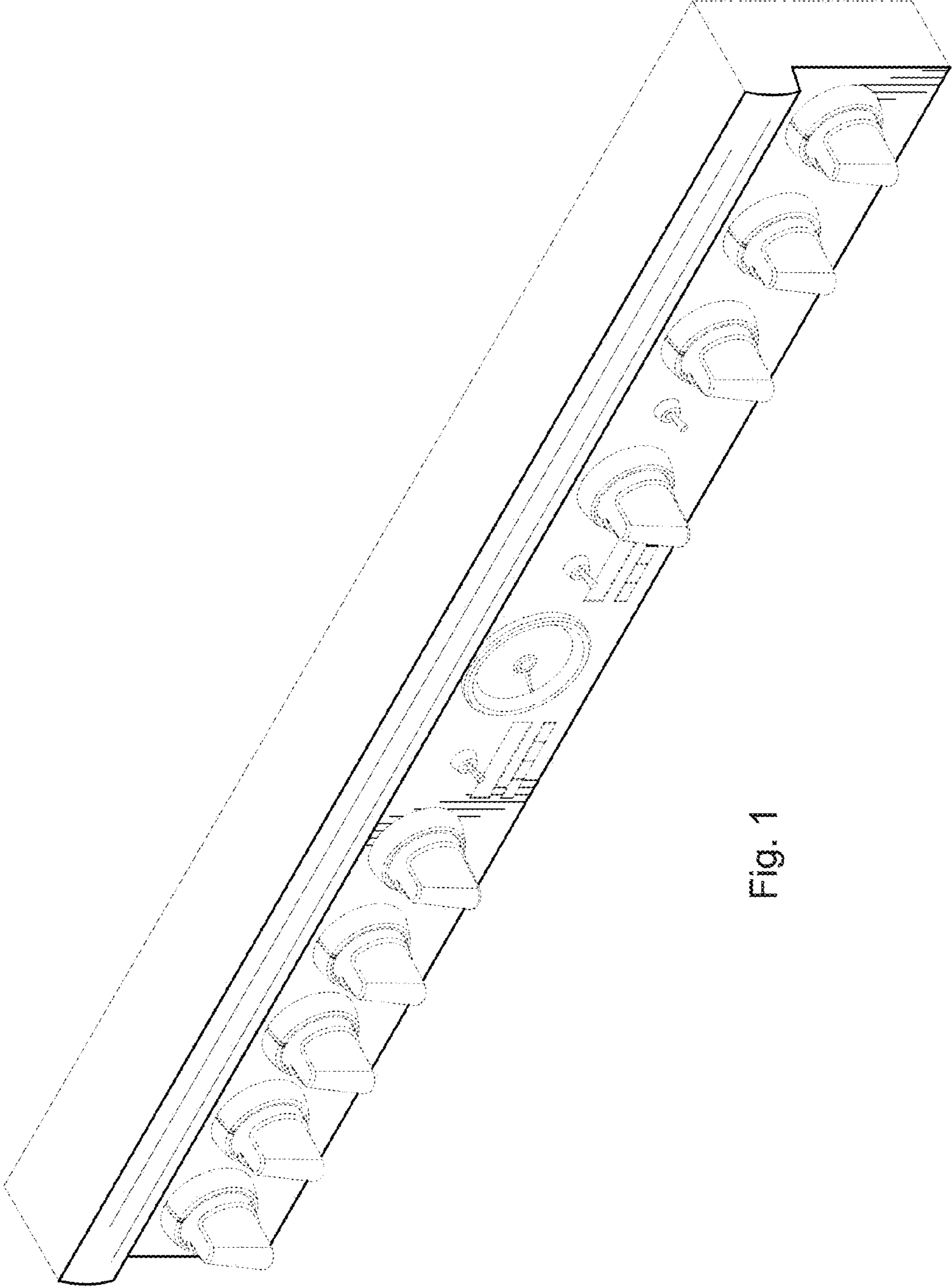


Fig. 1

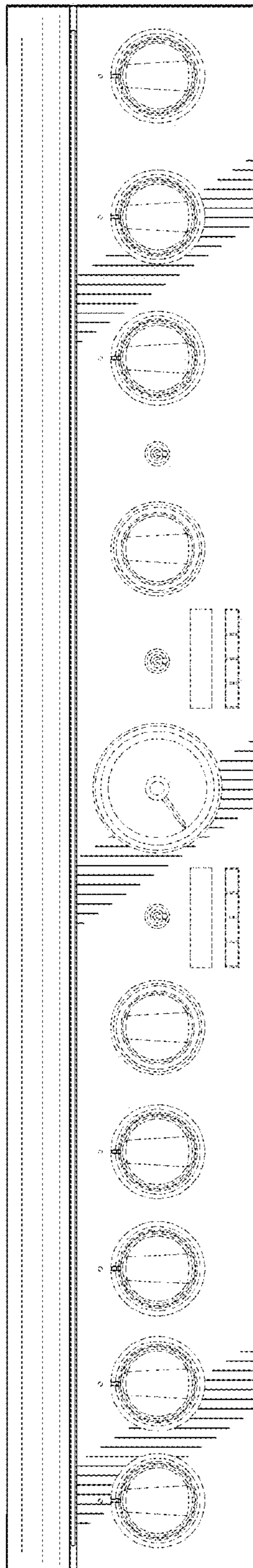


Fig. 2

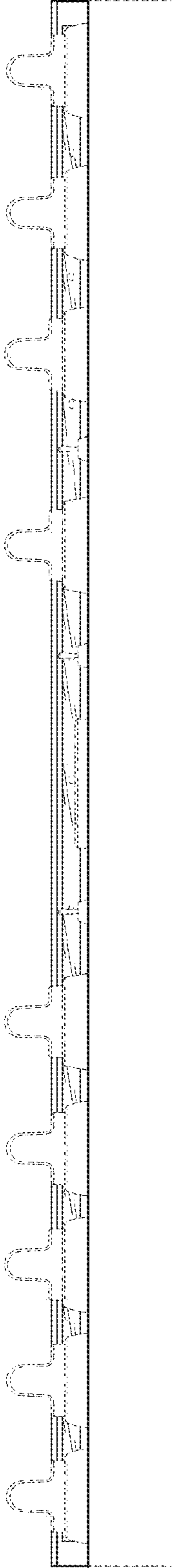


Fig. 3

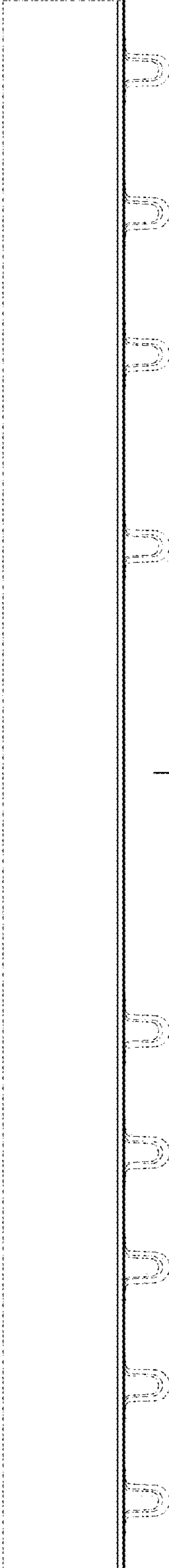
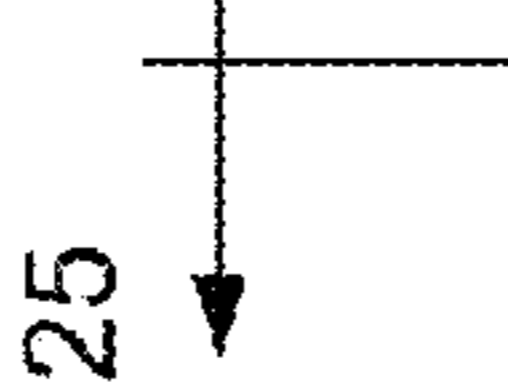
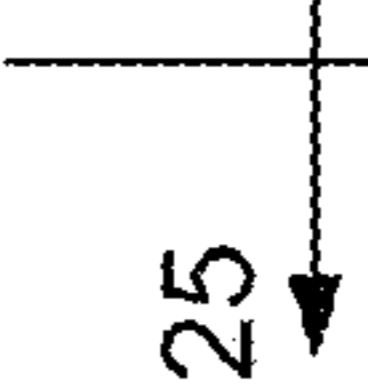


Fig. 4



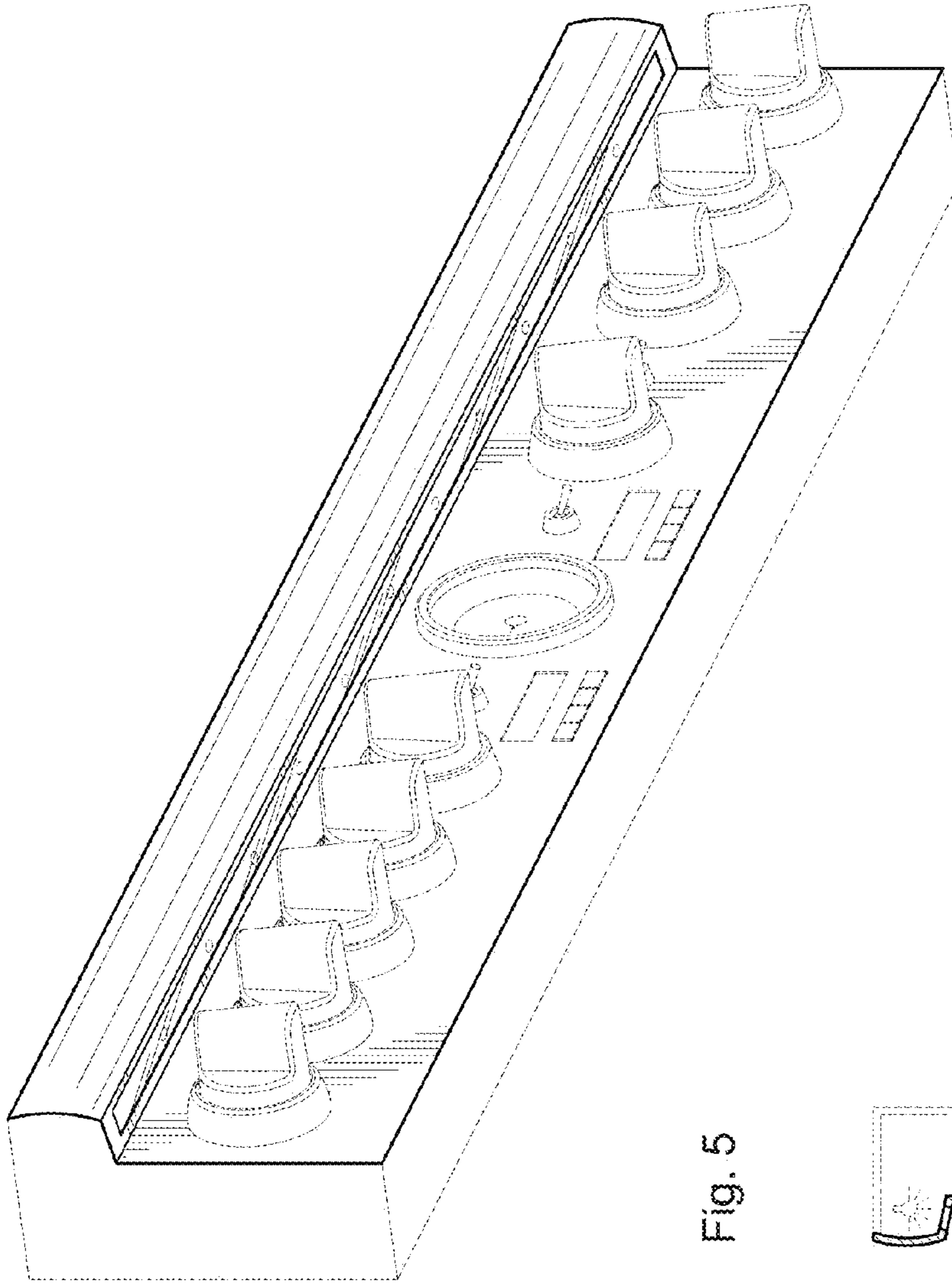


Fig. 5

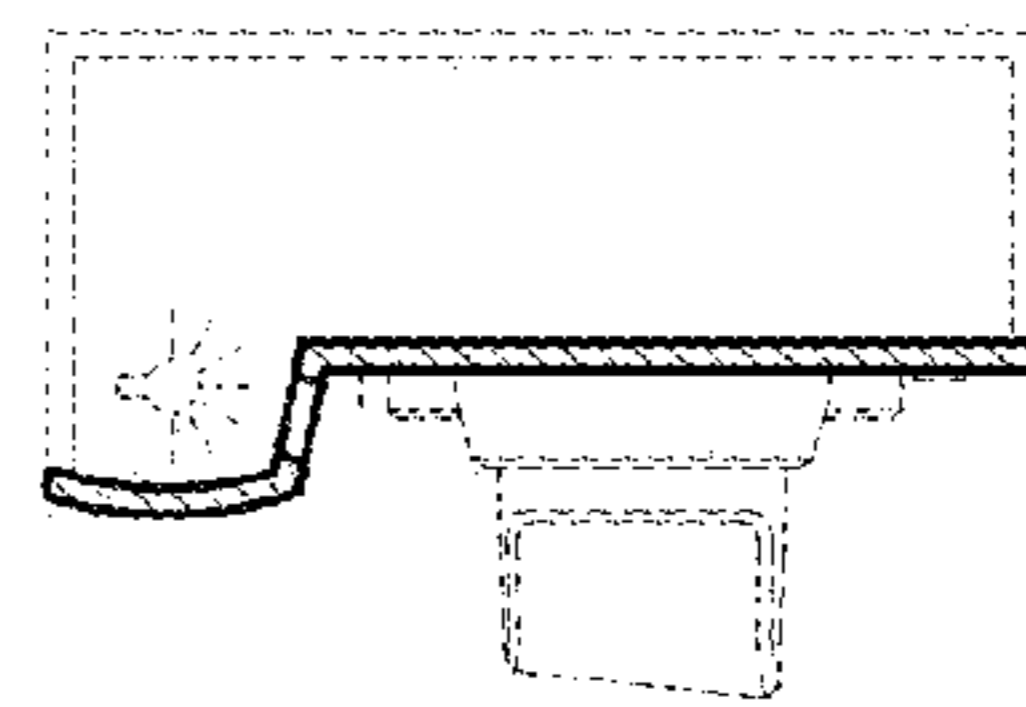


Fig. 6