



US00D697753S

(12) **United States Design Patent**
Brown

(10) **Patent No.:** **US D697,753 S**
(45) **Date of Patent:** **** Jan. 21, 2014**

(54) **BAR GUN**

FOREIGN PATENT DOCUMENTS

(75) Inventor: **Sam Brown**, Bulverde, TX (US)

GB 1 300 072 12/1972
GB 2 042 354 9/1980

(73) Assignee: **Schroeder Industries, Inc.**, San Antonio, TX (US)

(Continued)

(**) Term: **14 Years**

OTHER PUBLICATIONS

(21) Appl. No.: **29/426,206**

Wunder-Bar Food & Beverage Dispensing Systems, Post-Mix Beverage Dispenser, Automatic Bar Controls, Inc., Rev. 120508 Dec. 5, 2008.

(22) Filed: **Jul. 2, 2012**

(Continued)

(51) **LOC (10) Cl.** **07-01**

(52) **U.S. Cl.**
USPC **D7/398**; D7/397

Primary Examiner — Marianne Pandozzi

(74) *Attorney, Agent, or Firm* — Jackson Walker, LLP

(58) **Field of Classification Search**
USPC D7/395, 397, 398, 412, 308; 222/144.5
See application file for complete search history.

(57) **CLAIM**

The ornamental design for a bar gun, as shown and described.

(56) **References Cited**

U.S. PATENT DOCUMENTS

1,627,147 A	5/1927	Clark	
1,947,329 A	2/1934	Buttner	
2,478,586 A	8/1949	Krapp	
D164,372 S *	8/1951	Lewis D7/395
2,682,386 A	6/1954	Lindsay	
2,887,250 A	5/1959	Zilk	
2,937,792 A	5/1960	Firstenerg	
3,168,967 A	10/1961	Giampa	
3,009,653 A	11/1961	Hedeman	
3,013,701 A	12/1961	Joschko	
D194,343 S	1/1963	Zilk	
3,108,779 A	10/1963	Anderson	
3,326,520 A	6/1967	Guenther	
D216,861 S	3/1970	de Man	
3,619,668 A	11/1971	Pinckaers	
3,643,754 A	2/1972	Brandin et al.	
3,703,187 A	11/1972	Booth	
3,867,962 A	2/1975	Gerrard	
3,963,317 A	6/1976	Eigenbrode et al.	
4,098,295 A	7/1978	Haytayan	
4,196,886 A	4/1980	Murray	

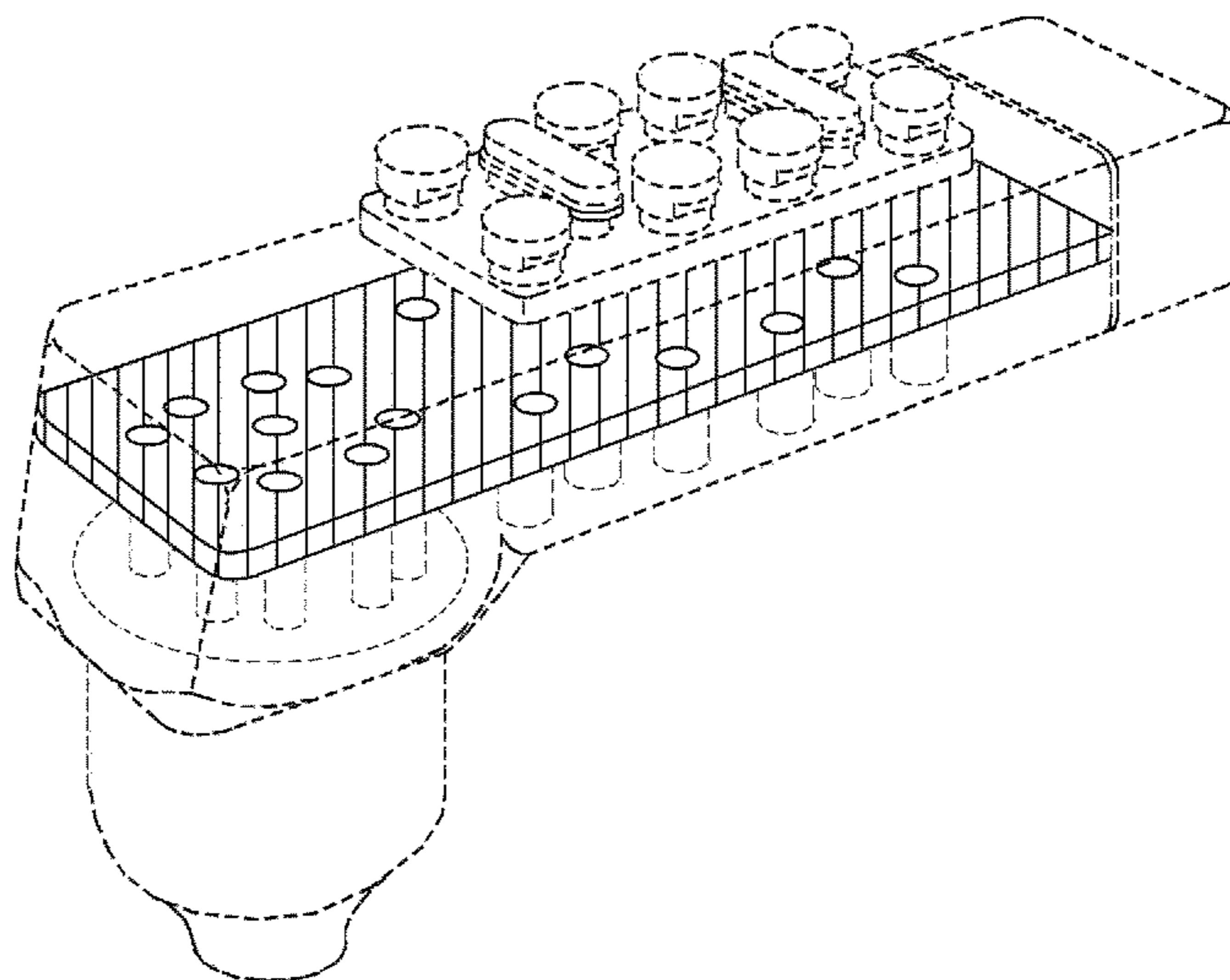
(Continued)

DESCRIPTION

FIG. 1 is a top plan view of a bar gun showing my new design; FIG. 2 is a left side elevational view thereof; FIG. 3 is a bottom plan view thereof; FIG. 4 is a right side elevational view thereof; FIG. 5 is a front elevational view thereof; FIG. 6 is a rear elevational view thereof; FIG. 7 is a perspective view thereof; FIG. 8 is a cross-sectional view thereof taken along line 8-8 in FIG. 2; and, FIG. 9 is a cross-sectional view thereof taken along line 9-9 in FIG. 2.

The drawing is lined for color (red). The broken line showing of portions of the bar gun is for the purpose of illustrating portions of the bar gun and forms no part of the claimed design.

1 Claim, 5 Drawing Sheets



(56)

References Cited

U.S. PATENT DOCUMENTS

4,219,046 A 8/1980 West et al.
 4,390,224 A 6/1983 Showman et al.
 D269,876 S * 7/1983 Lents D15/80
 4,433,795 A 2/1984 Maiefski et al.
 D274,031 S 5/1984 de Man
 4,469,389 A 9/1984 Grabbe et al.
 4,497,421 A 2/1985 Schilling
 4,519,635 A 5/1985 McMath
 D281,568 S * 12/1985 Bruffey et al. D7/308
 4,619,378 A 10/1986 de Man
 4,635,824 A 1/1987 Gaunt et al.
 4,637,527 A 1/1987 Arrigoni
 4,781,309 A 11/1988 Vogel
 4,821,921 A 4/1989 Cartwright et al.
 4,921,140 A * 5/1990 Belcham 222/144.5
 D309,232 S * 7/1990 Valiyee et al. D7/398
 4,986,449 A * 1/1991 Valiyee et al. 222/144.5
 5,033,648 A 7/1991 Nakayama et al.
 5,042,692 A 8/1991 Valiyee et al.
 5,305,924 A 4/1994 Groover et al.
 D348,799 S * 7/1994 Munari D7/395
 5,524,452 A 6/1996 Hassett et al.
 5,575,405 A 11/1996 Stratton et al.
 5,649,431 A 7/1997 Schroeder et al.
 D389,693 S * 1/1998 Hawkins et al. D7/308
 5,873,259 A 2/1999 Spillman
 6,112,946 A 9/2000 Bennett et al.
 6,196,422 B1 3/2001 Tuyls et al.
 D442,417 S * 5/2001 Jones et al. D7/307
 6,260,477 B1 7/2001 Tuyls et al.
 6,269,973 B1 8/2001 Bennett et al.
 6,283,155 B1 9/2001 Vu
 6,322,051 B1 11/2001 Salmela
 6,328,181 B1 12/2001 Schroeder et al.
 6,405,897 B1 6/2002 Jepson et al.
 6,463,753 B1 10/2002 Haskayne
 6,626,005 B2 9/2003 Schroeder
 6,644,508 B2 11/2003 Haskayne
 6,672,849 B1 1/2004 Martindale et al.
 6,698,229 B2 3/2004 Renken
 6,722,527 B1 4/2004 Krauss
 6,725,687 B2 4/2004 McCann et al.
 6,761,036 B2 7/2004 Teague
 6,832,487 B1 12/2004 Baker
 6,945,070 B1 9/2005 Jablonski
 7,025,230 B1 4/2006 Salmela
 7,028,864 B2 4/2006 McCann
 7,048,148 B2 5/2006 Roekens
 7,080,937 B1 7/2006 Salmela et al.
 D545,121 S * 6/2007 Zemel D7/395
 7,232,044 B1 6/2007 Salmela
 D546,620 S * 7/2007 Zemel D7/395
 D549,021 S 8/2007 Tuyls et al.
 7,266,974 B2 9/2007 Schroeder
 7,305,847 B2 12/2007 Wolski
 D560,965 S 2/2008 Sommerfield

D564,292 S * 3/2008 Zemel D7/393
 7,337,618 B2 3/2008 Wolski
 7,337,627 B2 3/2008 Wolski
 7,373,784 B2 5/2008 Haskayne
 7,384,073 B1 6/2008 Tuyls et al.
 7,448,418 B1 11/2008 Tyuls
 7,658,006 B2 * 2/2010 Schroeder 29/890.142
 7,757,498 B2 7/2010 Wolski et al.
 7,762,421 B2 7/2010 Tuyls et al.
 D626,373 S 11/2010 Vailiyee et al.
 D626,374 S 11/2010 Vailiyee et al.
 D626,375 S 11/2010 Vailiyee et al.
 D628,014 S 11/2010 Martindale
 7,931,382 B2 4/2011 Hecht
 D638,659 S 5/2011 Martindale et al.
 D643,708 S 8/2011 Hecht
 D647,785 S 11/2011 Hecht
 D648,420 S 11/2011 Hecht
 D648,421 S 11/2011 Hecht
 D648,617 S 11/2011 Hecht
 D648,826 S 11/2011 Hecht
 8,109,413 B2 * 2/2012 Schroeder et al. 222/145.5
 D663,997 S * 7/2012 Thompson D7/395
 8,251,259 B2 * 8/2012 Edwards et al. 222/129.1
 D666,869 S * 9/2012 Martindale et al. D7/398
 8,272,536 B2 * 9/2012 Valiyee et al. 222/144.5
 8,387,829 B2 * 3/2013 Schroeder et al. 222/144.5
 8,459,505 B2 * 6/2013 Martindale et al. 222/144.5
 2001/0030308 A1 10/2001 Schroeder
 2003/0071060 A1 4/2003 Haskayne
 2006/0162370 A1 7/2006 Haskayne
 2008/0135426 A1 6/2008 Hecht et al.
 2008/0217357 A1 9/2008 Hecht
 2009/0078722 A1 3/2009 Salmela
 2009/0090747 A1 4/2009 Tuyls et al.
 2009/0145927 A1 6/2009 Salmela et al.
 2009/0230148 A1 9/2009 Valiyee et al.
 2010/0097881 A1 4/2010 Tuyls et al.
 2010/0116842 A1 5/2010 Hecht et al.
 2010/0147886 A1 * 6/2010 Martindale 222/113
 2010/0314411 A1 12/2010 Tyuls et al.
 2011/0057134 A1 3/2011 Martindale et al.
 2011/0073617 A1 3/2011 Martindale et al.
 2011/0286883 A1 11/2011 Hecht et al.
 2011/0315711 A1 12/2011 Hecht et al.

FOREIGN PATENT DOCUMENTS

WO WO 02/090241 11/2002
 WO WO 2003/024862 3/2003
 WO WO 2006/088990 8/2006
 WO WO 2009/090429 7/2009

OTHER PUBLICATIONS

Wunder-Bar Food & Beverage Dispensing Systems, Post-Mix Beverage Dispenser, Automatic Bar Controls, Inc., Rev. 120508.

* cited by examiner

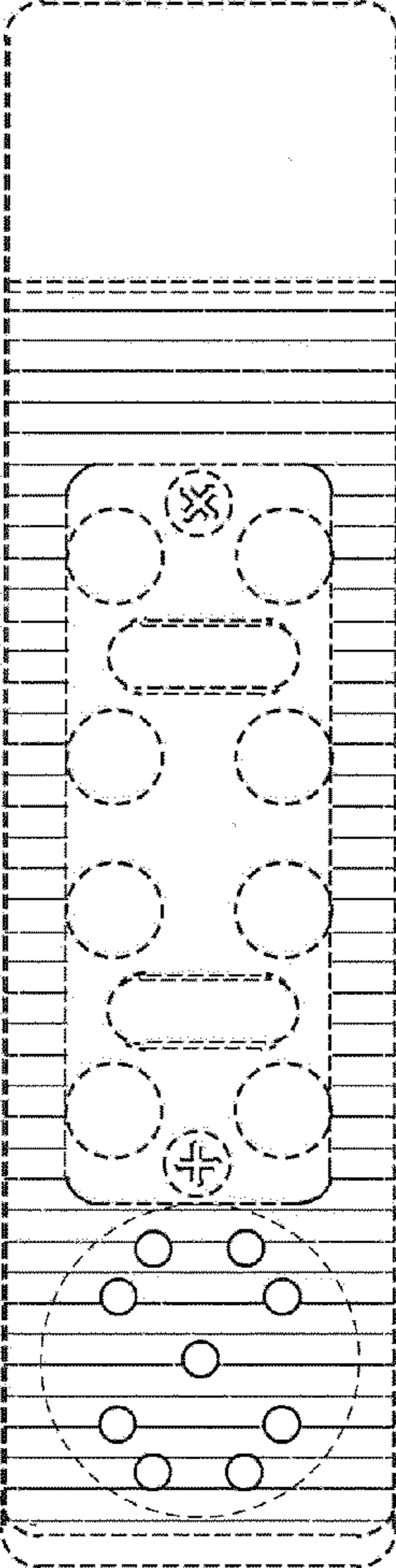


Fig. 1

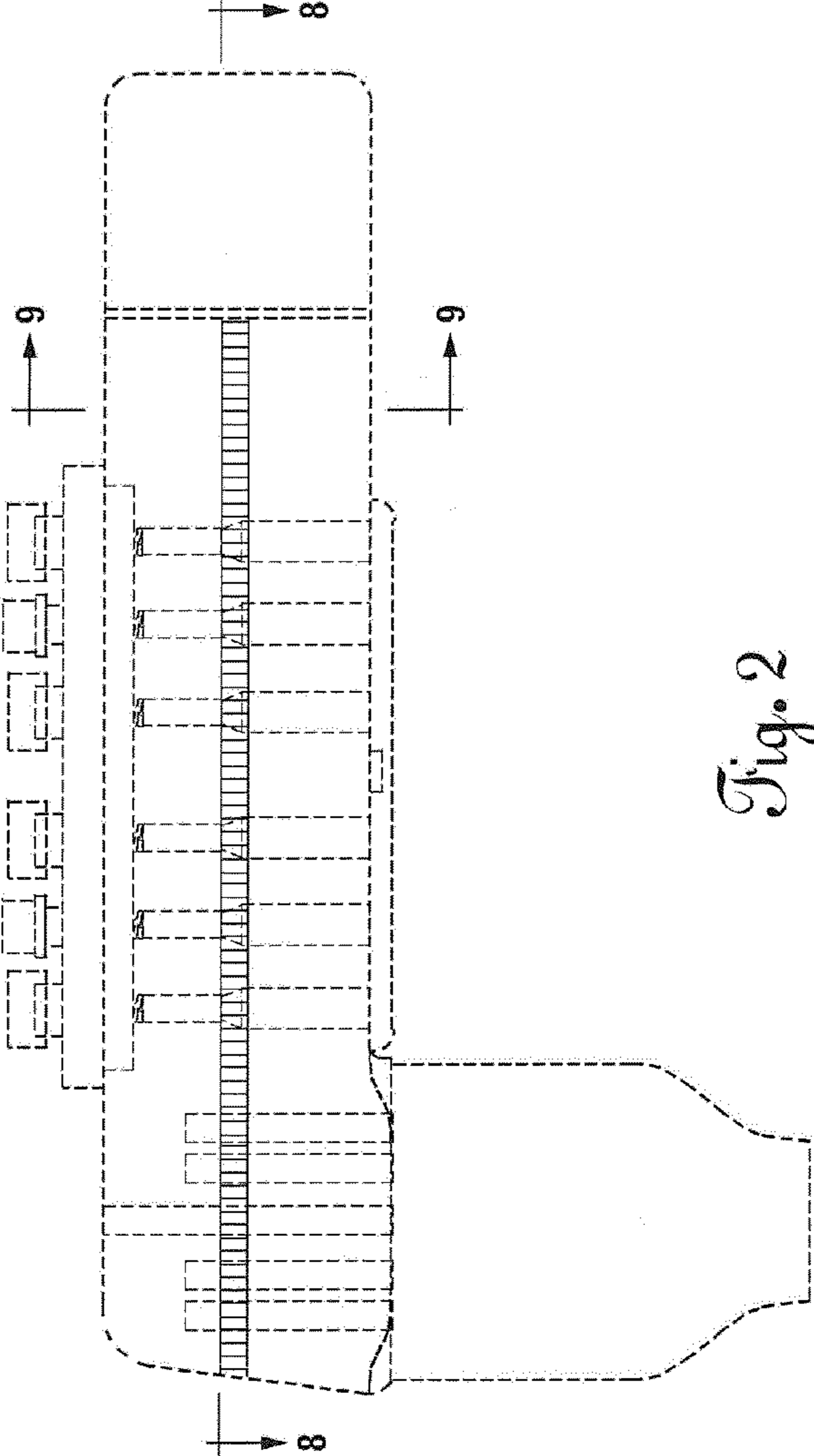


Fig. 2

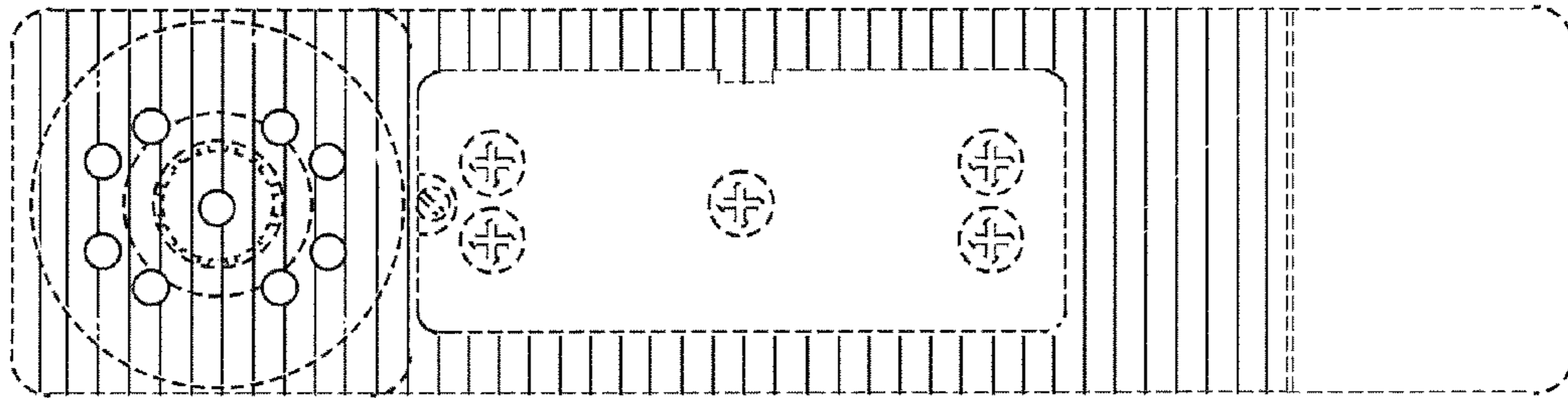


Fig. 3

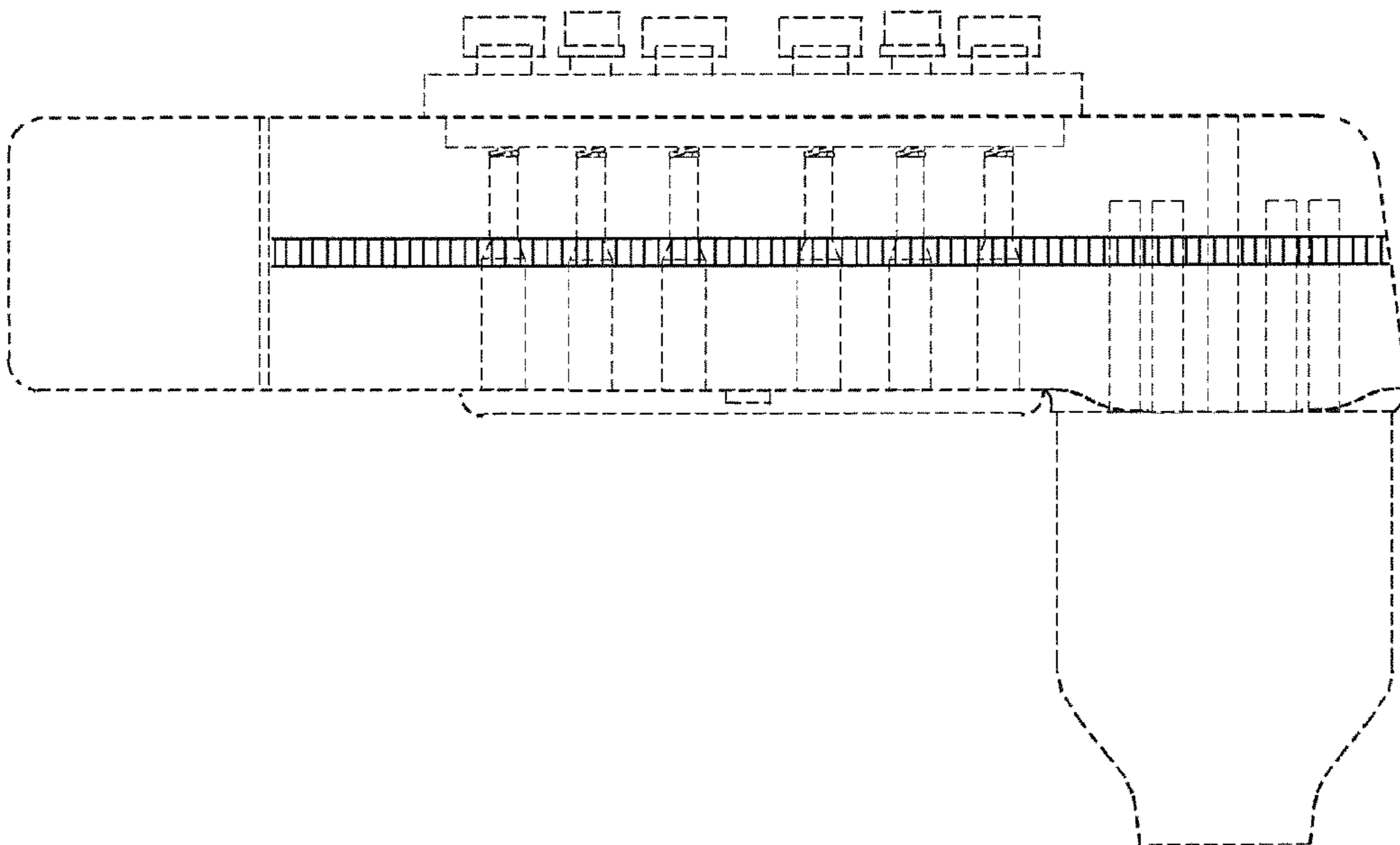


Fig. 4

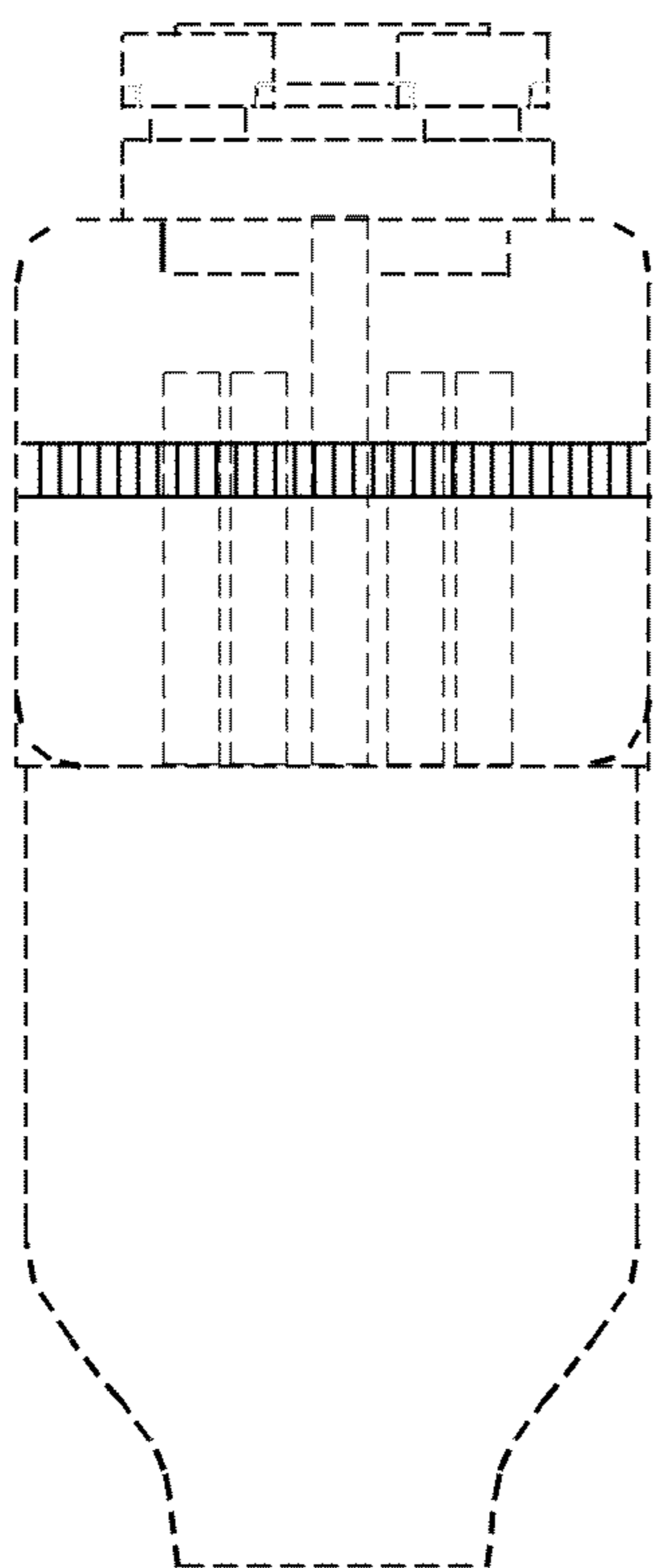


Fig. 5

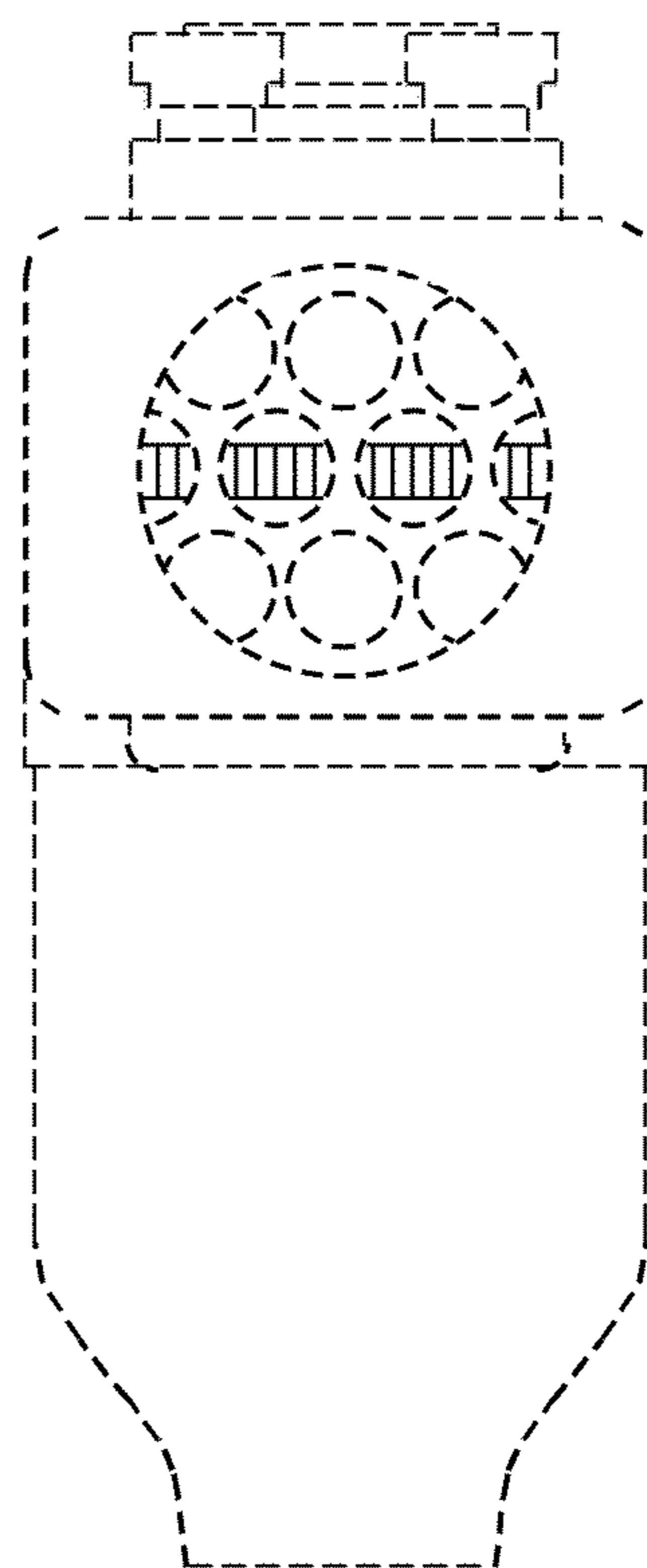


Fig. 6

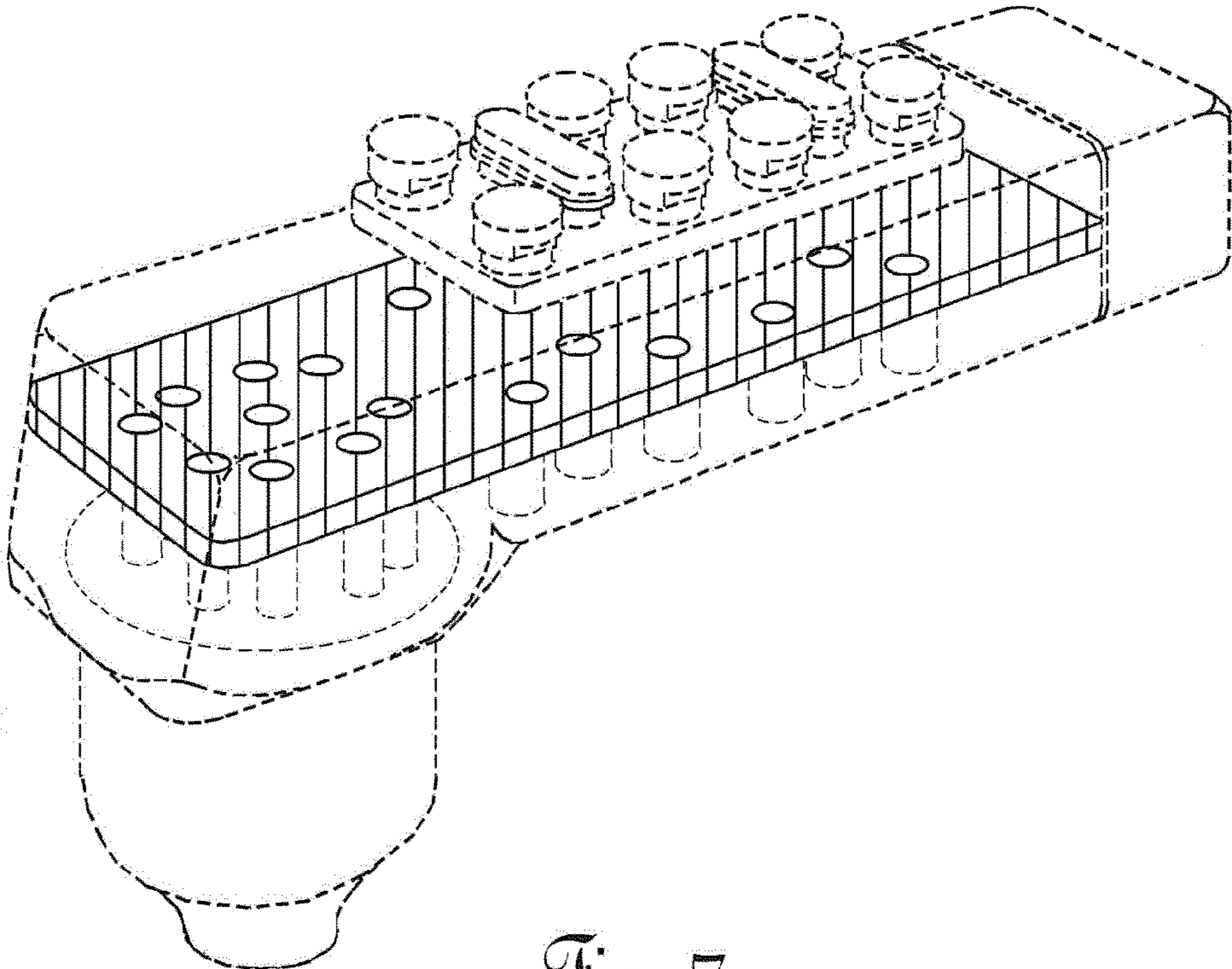


Fig. 7

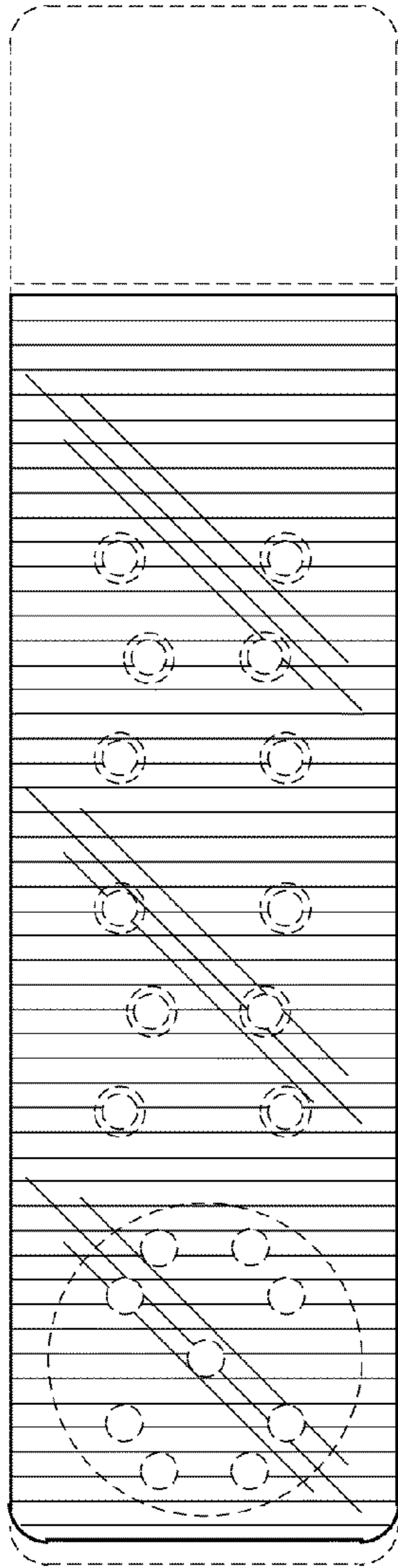


Fig. 8

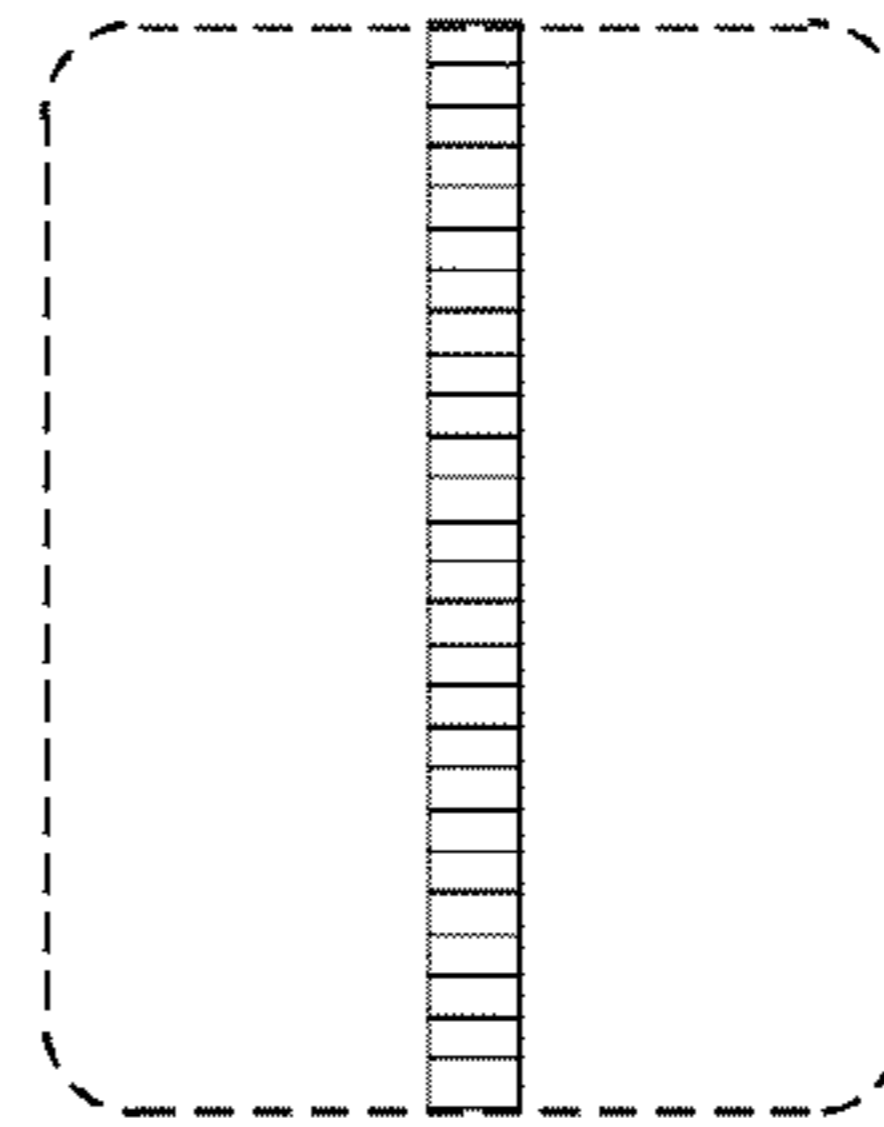


Fig. 9