



US00D697751S

(12) **United States Design Patent**
Schleinzer

(10) **Patent No.:** **US D697,751 S**
(45) **Date of Patent:** **** Jan. 21, 2014**

(54) **RECTANGULAR PAN**

(71) Applicant: **WS-Invention trade GbmH, Wr.**
Neudorf (AT)

(72) Inventor: **Werner Schleinzer**, Laxenburg (AT)

(73) Assignee: **WS-INVENTION trade GmbH** (AT)

(**) Term: **14 Years**

(21) Appl. No.: **29/442,425**

(22) Filed: **Feb. 28, 2013**

(30) **Foreign Application Priority Data**

Oct. 30, 2012	(EP)	002027696-0009
Oct. 30, 2012	(EP)	002027696-0010
Oct. 30, 2012	(EP)	002027696-0011
Oct. 30, 2012	(EP)	002027696-0012
Oct. 30, 2012	(EP)	002027696-0013
Oct. 30, 2012	(EP)	002027696-0014
Oct. 30, 2012	(EP)	002027696-0015
Oct. 30, 2012	(EP)	002027696-0016

(51) **LOC (10) Cl.** **07-02**

(52) **U.S. Cl.**
USPC **D7/361; D7/354**

(58) **Field of Classification Search**
USPC D7/323, 329-331, 337, 339, 346-347,
D7/350.1-350.4, 352-367, 388, 393, 395,
D7/402, 409-410, 538, 542, 672-674;
99/324-325, 331-332, 337-349, 358,
99/369-376, 380, 389, 400-418, 422-425,
99/444-446, 483; 126/37 R, 261, 378.1;
206/501-505, 507-508; 219/386, 400,
219/405, 429-442, 450.1, 452.13, 524,
219/620-624, 725, 730-735; 220/4.21,
220/23.8, 254.1, 315, 573.1-573.5, 912;
426/438, 441, 549

See application file for complete search history.

(56) **References Cited**

U.S. PATENT DOCUMENTS

D174,431	S	*	4/1955	Jepson et al.	D7/361
D176,328	S	*	12/1955	Caldwell	D7/361
2,744,995	A	*	5/1956	Jepson	219/441

(Continued)

Primary Examiner — Ricky Pham

(74) *Attorney, Agent, or Firm* — Olson & Cepuritis, Ltd.

(57) **CLAIM**

The ornamental design for a rectangular pan, as shown and described.

DESCRIPTION

The patent or application file contains at least one drawing executed in color. Copies of this patent or patent application with color drawing(s) will be provided by the Office upon request and payment of the necessary fee.

FIG. 1 is a perspective view of my new design showing a rectangular pan;

FIG. 2 is a top view of the rectangular pan of FIG. 1;

FIG. 3 is a front elevation of the rectangular pan of FIG. 1;

FIG. 4 is side elevation of the rectangular pan of FIG. 1;

FIG. 5 is a rear elevation of the rectangular pan of FIG. 1;

FIG. 6 is a bottom view of the rectangular pan of FIG. 1;

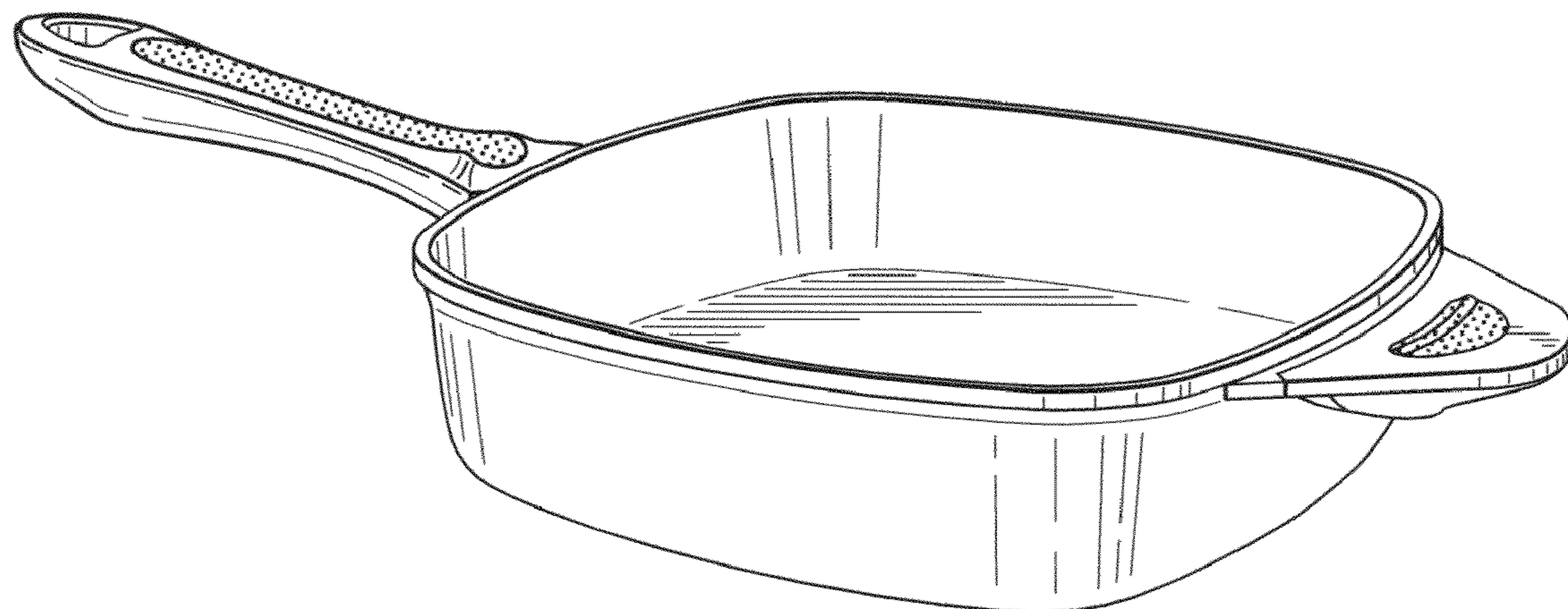
FIG. 7 is a perspective view of the rectangular pan of FIG. 1 showing a red embodiment;

FIG. 8 is a perspective view of the rectangular pan of FIG. 1 showing a grey embodiment;

FIG. 9 is a perspective view of the rectangular pan of FIG. 1 showing a green embodiment; and,

FIG. 10 is a perspective view of the rectangular pan of FIG. 1 showing a blue embodiment.

1 Claim, 7 Drawing Sheets
(4 of 7 Drawing Sheet(s) Filed in Color)



(56)

References Cited

U.S. PATENT DOCUMENTS

D181,246 S * 10/1957 Boldt D7/361
D181,447 S * 11/1957 Theisen D7/361
3,384,195 A * 5/1968 Jepson et al. 219/442
D246,884 S * 1/1978 Finke D7/361

D297,604 S * 9/1988 Hagberg et al. D7/359
D458,797 S * 6/2002 Kellermann D7/360
D470,711 S * 2/2003 Kloppsteck D7/359
D594,271 S * 6/2009 Bodum D7/361
D657,992 S * 4/2012 Moodie et al. D7/354
D672,604 S * 12/2012 Upston et al. D7/361

* cited by examiner

FIG. 1

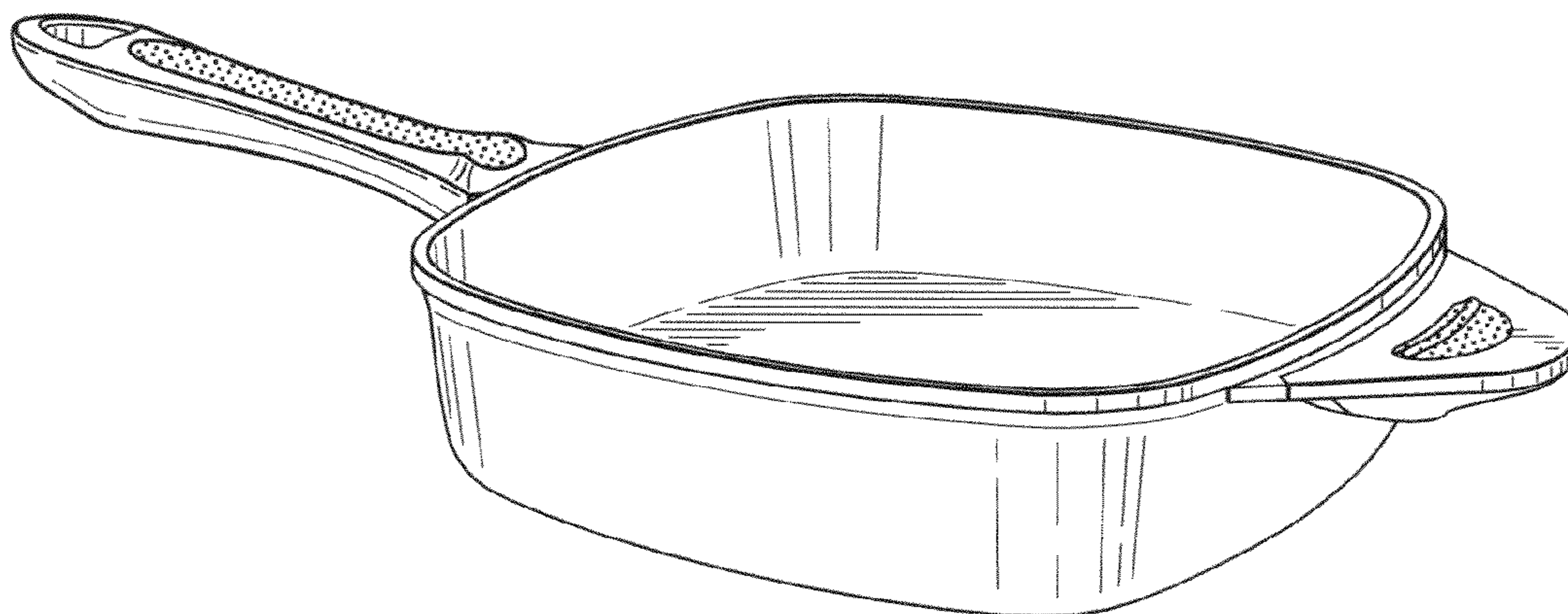


FIG. 2

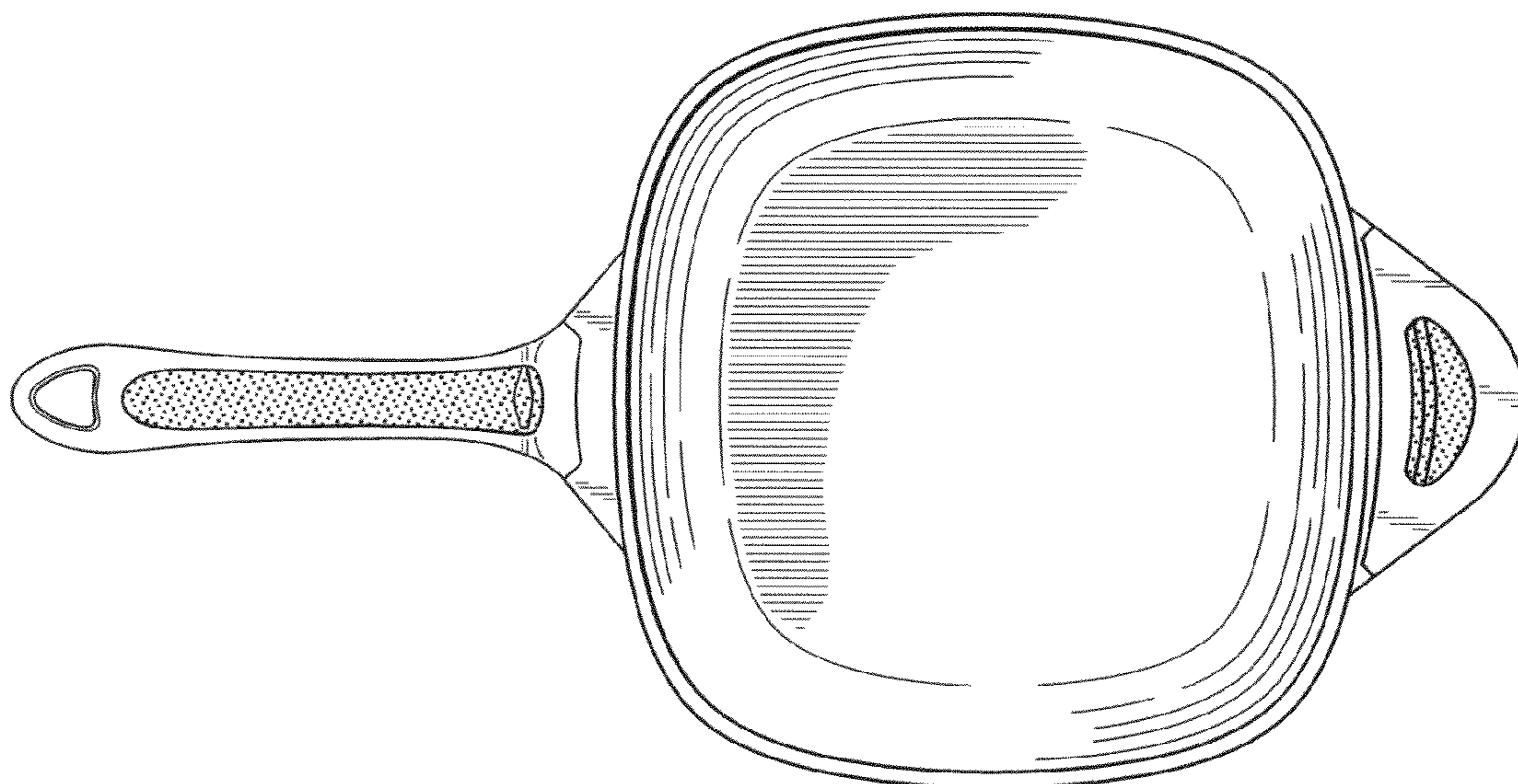


FIG. 3

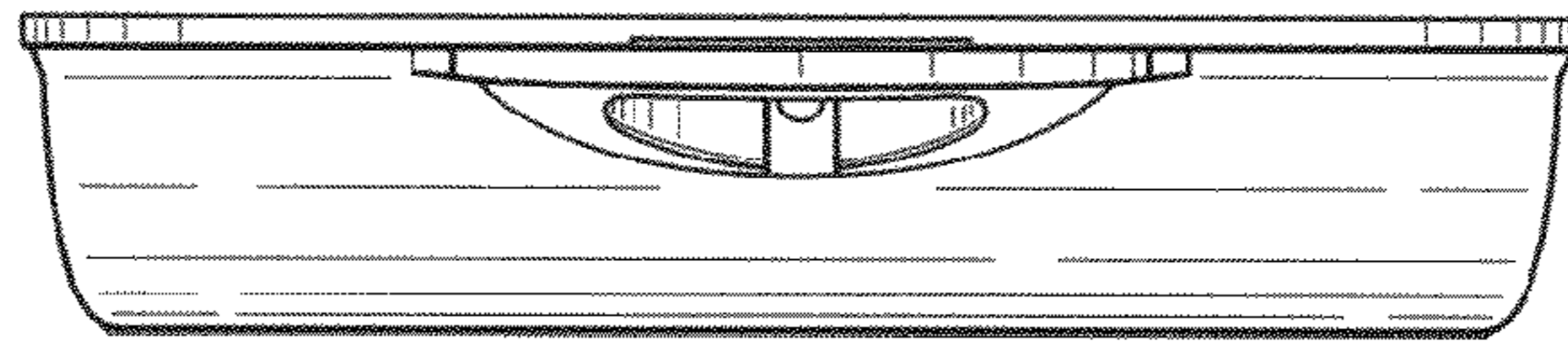


FIG. 4

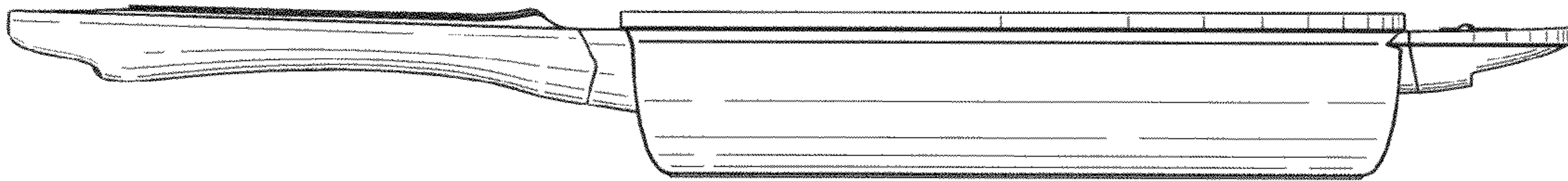


FIG. 5

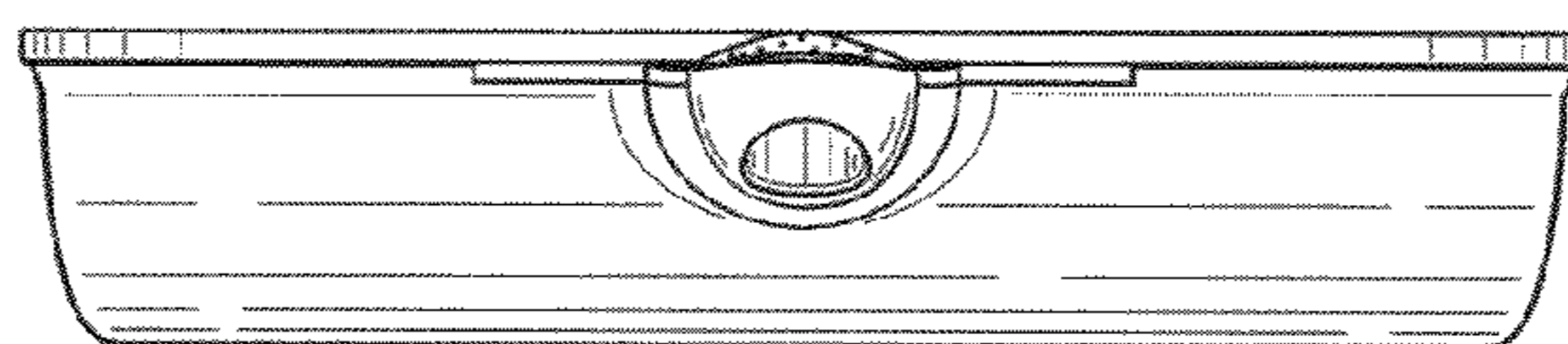


FIG. 6

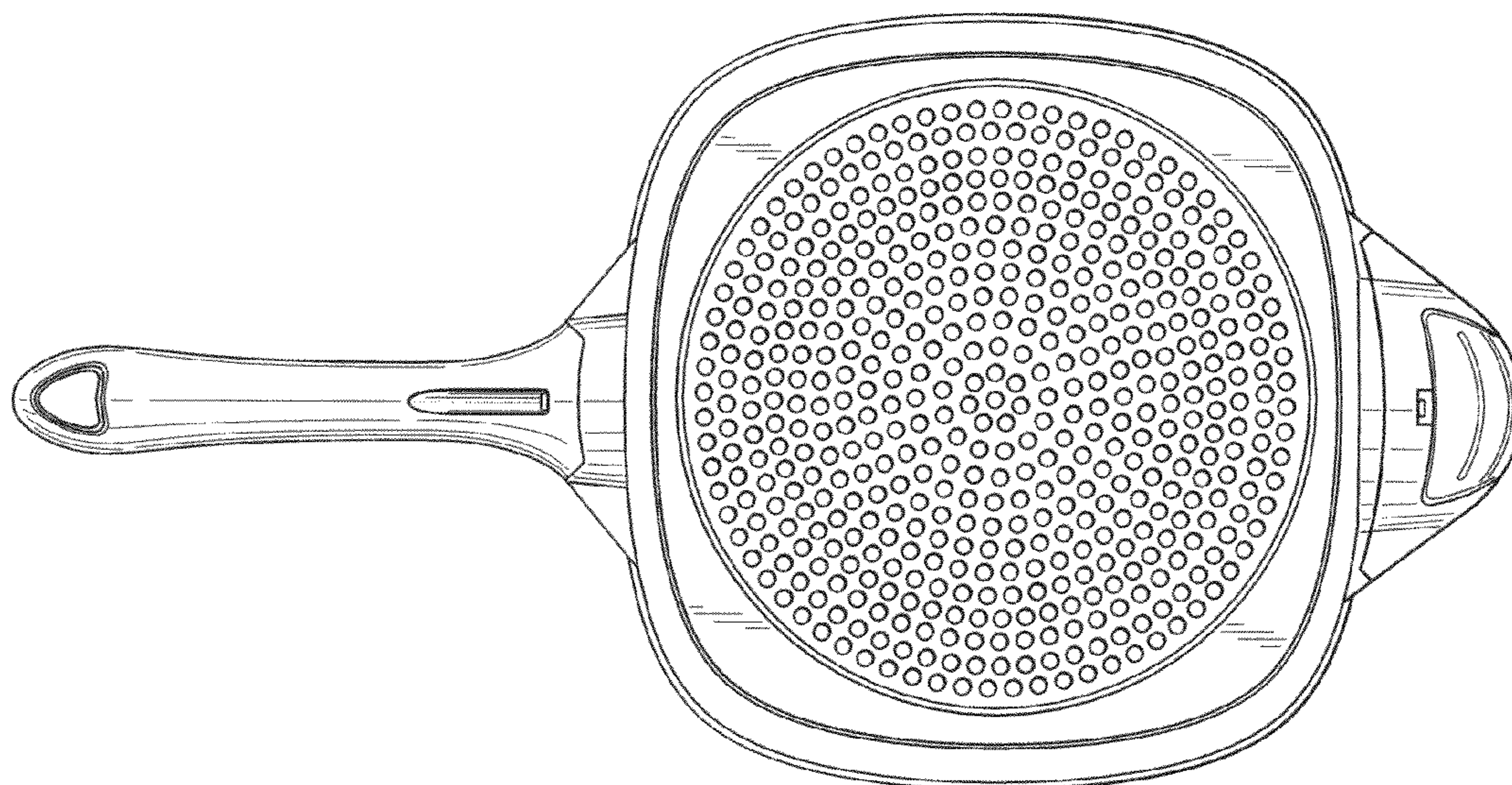


FIG. 7

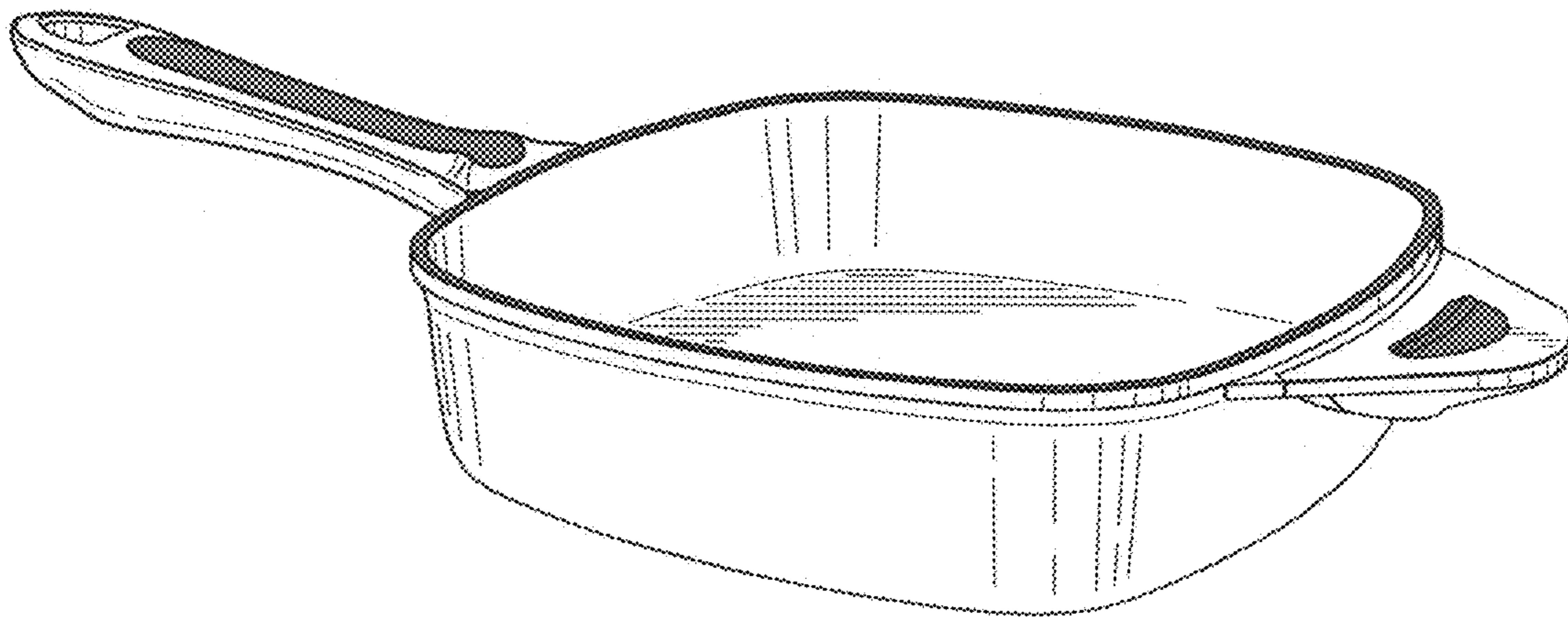


FIG. 8

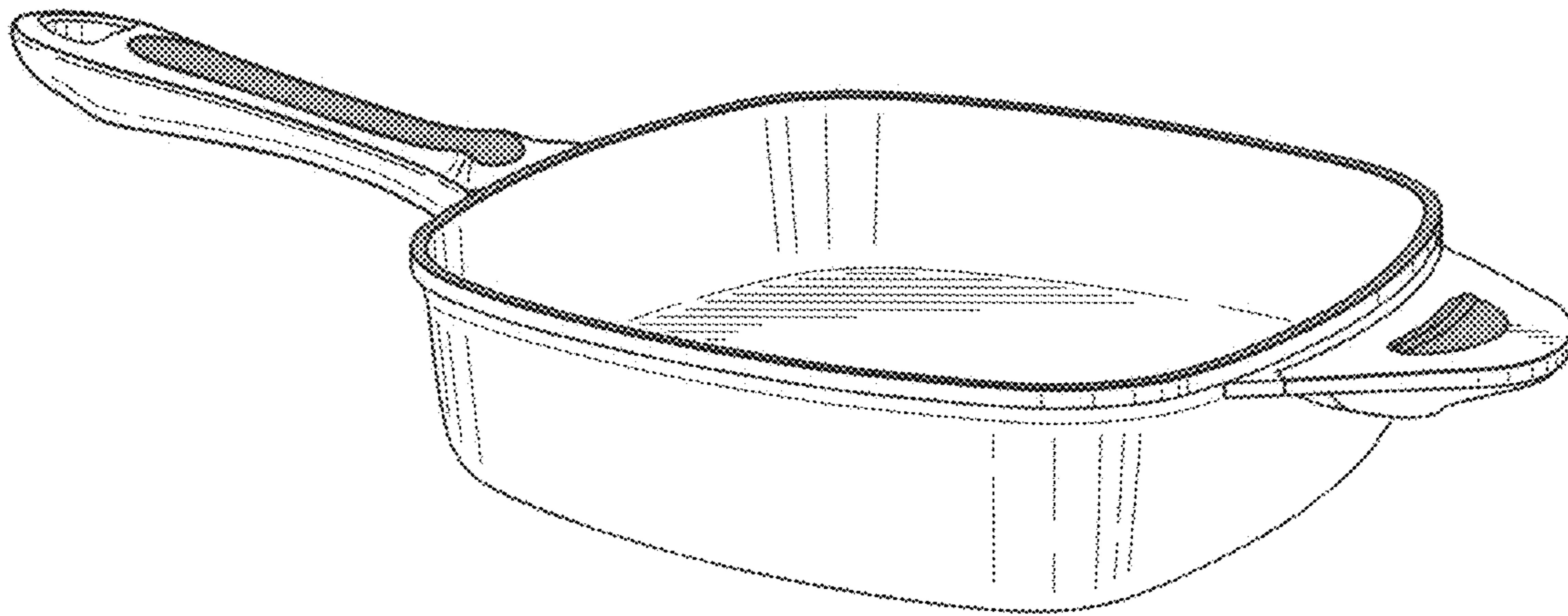


FIG. 9

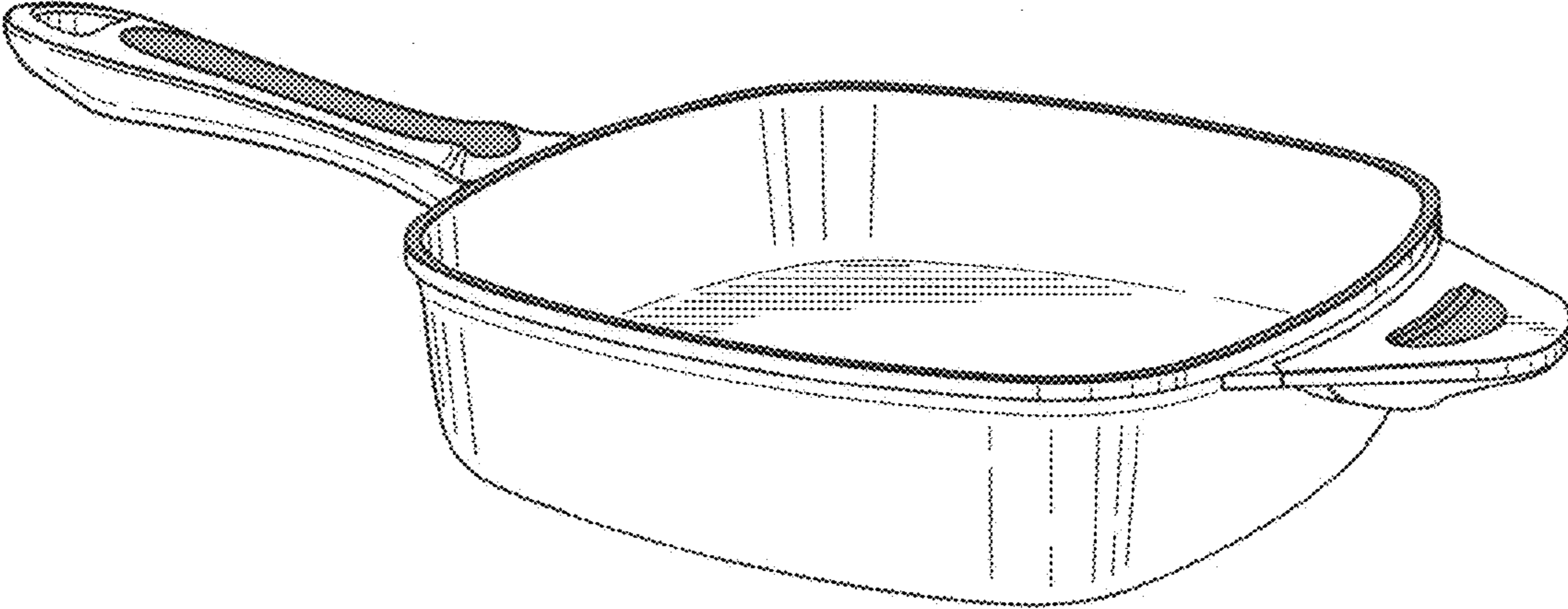


FIG. 10

