



US00D697750S

(12) **United States Design Patent**  
**Ye et al.**

(10) **Patent No.:** **US D697,750 S**  
(45) **Date of Patent:** **\*\* Jan. 21, 2014**

- (54) **SLOW COOKER**
- (71) Applicant: **Hamilton Beach Brands, Inc.**, Glen Allen, VA (US)
- (72) Inventors: **Guoyao Ye**, Glen Allen, VA (US); **Mark K Romandy**, Midlothian, VA (US)
- (73) Assignee: **Hamilton Beach Brands, Inc.**, Glen Allen, VA (US)
- (\*\*) Term: **14 Years**
- (21) Appl. No.: **29/447,182**
- (22) Filed: **Mar. 1, 2013**
- (51) **LOC (10) Cl.** ..... **07-02**
- (52) **U.S. Cl.**  
USPC ..... **D7/357; D7/354**
- (58) **Field of Classification Search**  
USPC ..... D7/323, 329–332, 337–339, 346–347, D7/350.1–350.4, 353–367, 391–395, D7/402–406, 538, 542–543, 665; 99/324–327, 330–343, 369, 366, 99/400–418, 422, 425, 444, 483; 126/37 R, 126/41 R, 261, 378.1; 219/386–387, 400, 219/405, 429–442, 452.11, 521–525, 219/620–624, 725, 730–735; 220/23.88, 220/314–315, 485, 573.1–573.5, 592.16, 220/912; 426/438, 441, 523  
See application file for complete search history.

6,872,921	B1	3/2005	DeCobert et al.	
D537,670	S *	3/2007	Genslak et al.	D7/354
D549,517	S *	8/2007	Moran et al.	D7/358
D556,504	S	12/2007	Averty	
7,312,425	B2	12/2007	DeCobert et al.	
D590,654	S	4/2009	Perkins et al.	
D606,803	S *	12/2009	Picozza et al.	D7/354
D628,849	S *	12/2010	Tetreault et al.	D7/357
D632,130	S *	2/2011	Tetreault et al.	D7/357
D635,818	S *	4/2011	Tse	D7/357
D641,202	S *	7/2011	Bock et al.	D7/357
D642,856	S	8/2011	Bock et al.	
D649,831	S *	12/2011	Romandy	D7/393
D657,611	S	4/2012	Bock	
D657,993	S *	4/2012	Pantaleo	D7/357
D682,009	S *	5/2013	Day et al.	D7/354
2008/0083730	A1	4/2008	Dolgov et al.	
2009/0218355	A1	9/2009	Chameroy et al.	

\* cited by examiner

Primary Examiner — Ricky Pham

(74) *Attorney, Agent, or Firm* — Alexander D. Raring

(57) **CLAIM**

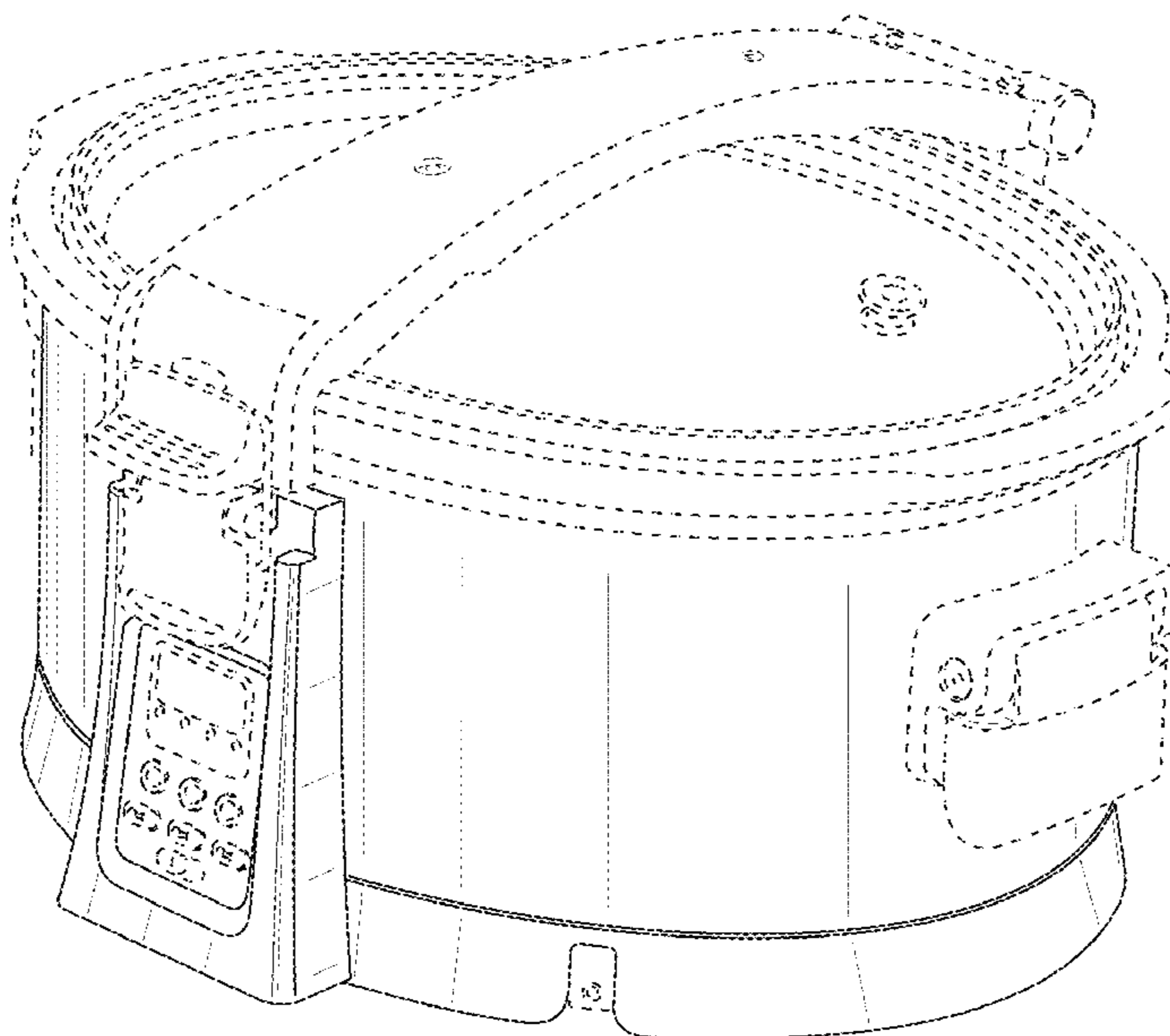
The ornamental design for a slow cooker, as shown and described.

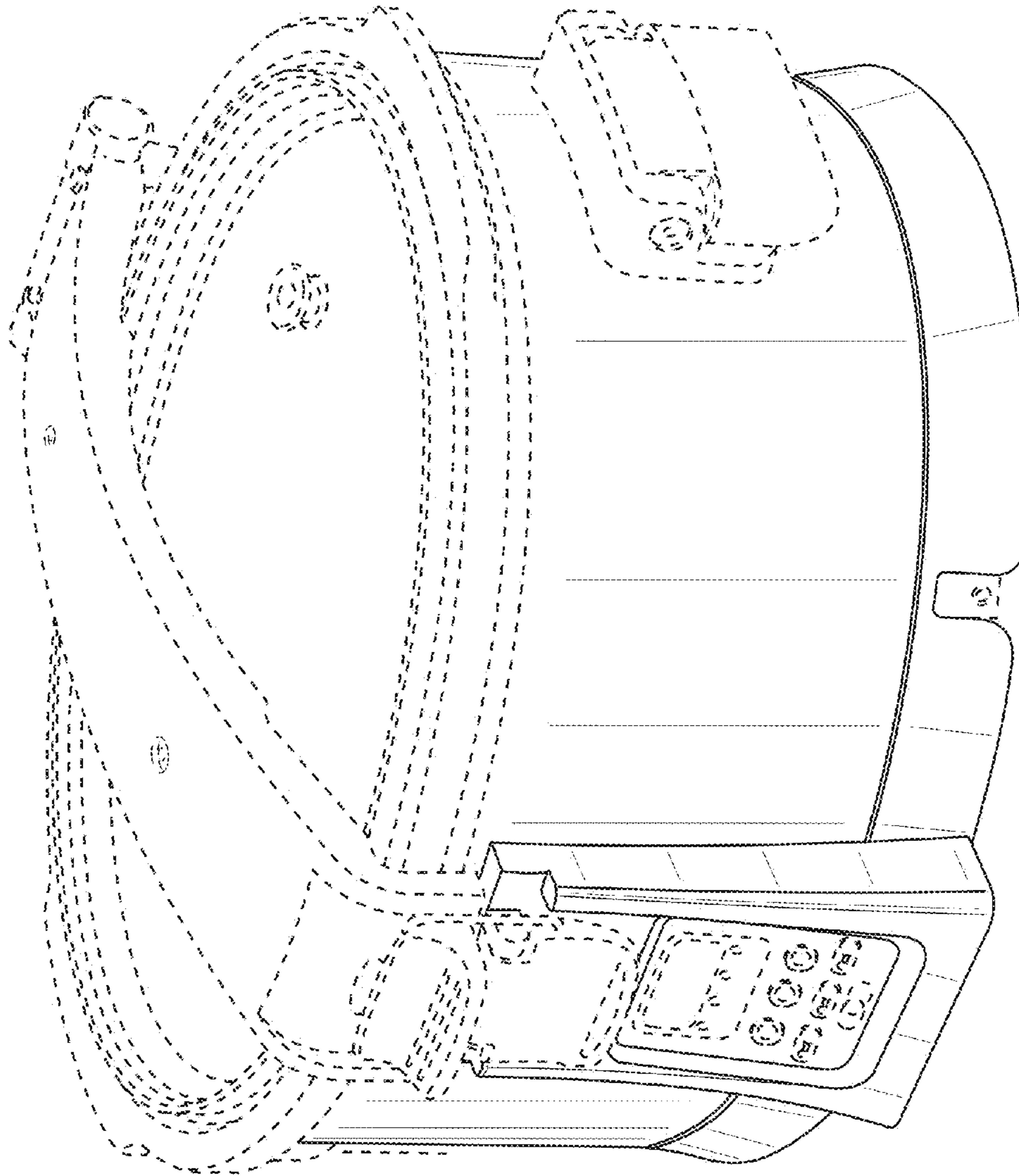
**DESCRIPTION**

FIG. 1 is a perspective view as seen from the top, front and right side of a slow cooker showing the new design;  
 FIG. 2 is a front view thereof;  
 FIG. 3 is a rear view thereof;  
 FIG. 4 is a left side view thereof;  
 FIG. 5 is a right side view thereof;  
 FIG. 6 is a top view thereof; and,  
 FIG. 7 is a bottom view thereof.  
 The broken lines in the drawings are included for illustrative purposes only and form no part of the claimed design.

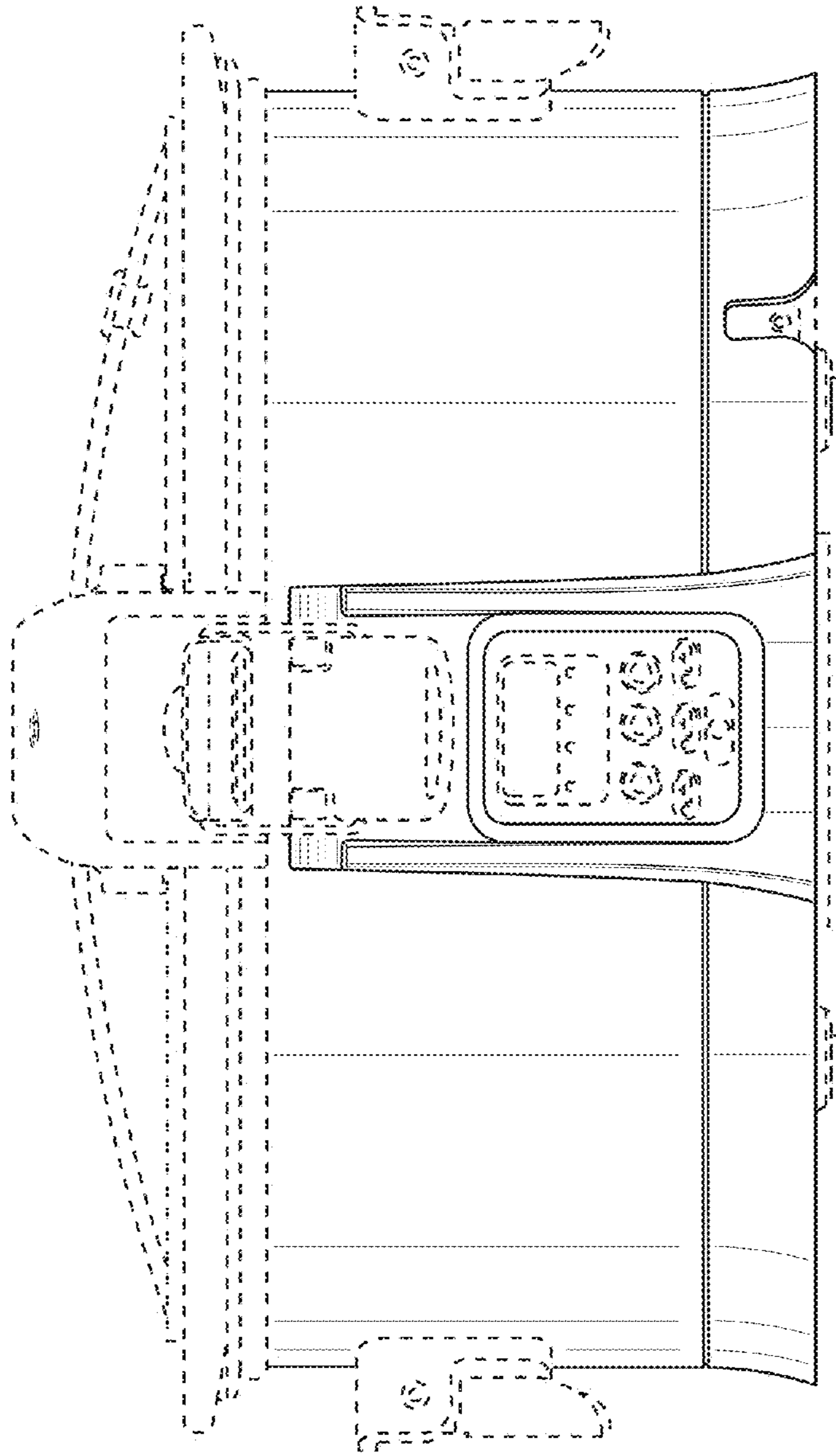
**1 Claim, 7 Drawing Sheets**

- (56) **References Cited**  
U.S. PATENT DOCUMENTS  
6,573,483 B1 6/2003 DeCobert et al.  
D486,352 S \* 2/2004 Park ..... D7/358  
6,740,855 B1 5/2004 DeCobert et al.

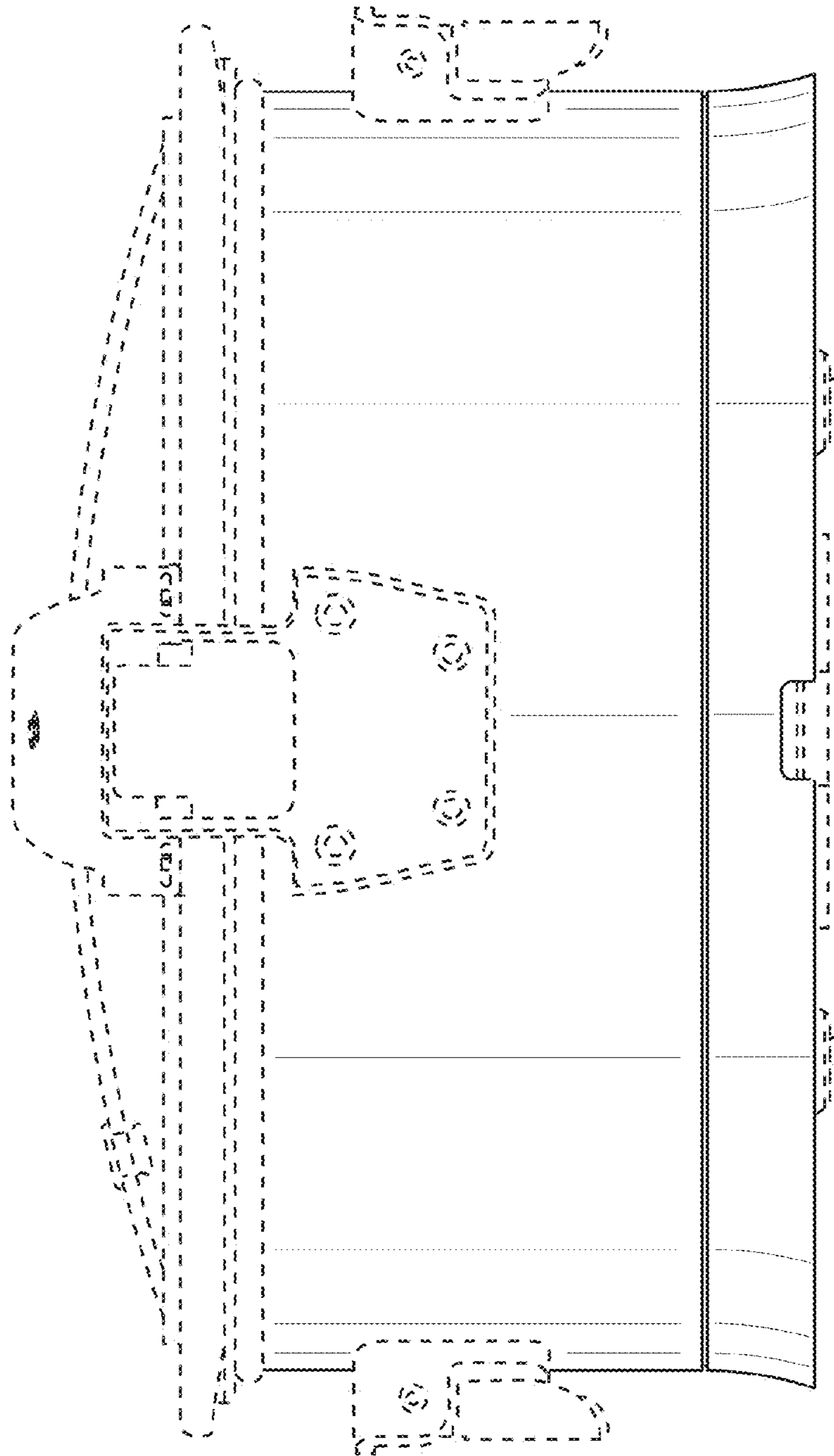




**FIG. 1**



**FIG. 2**



**FIG. 3**

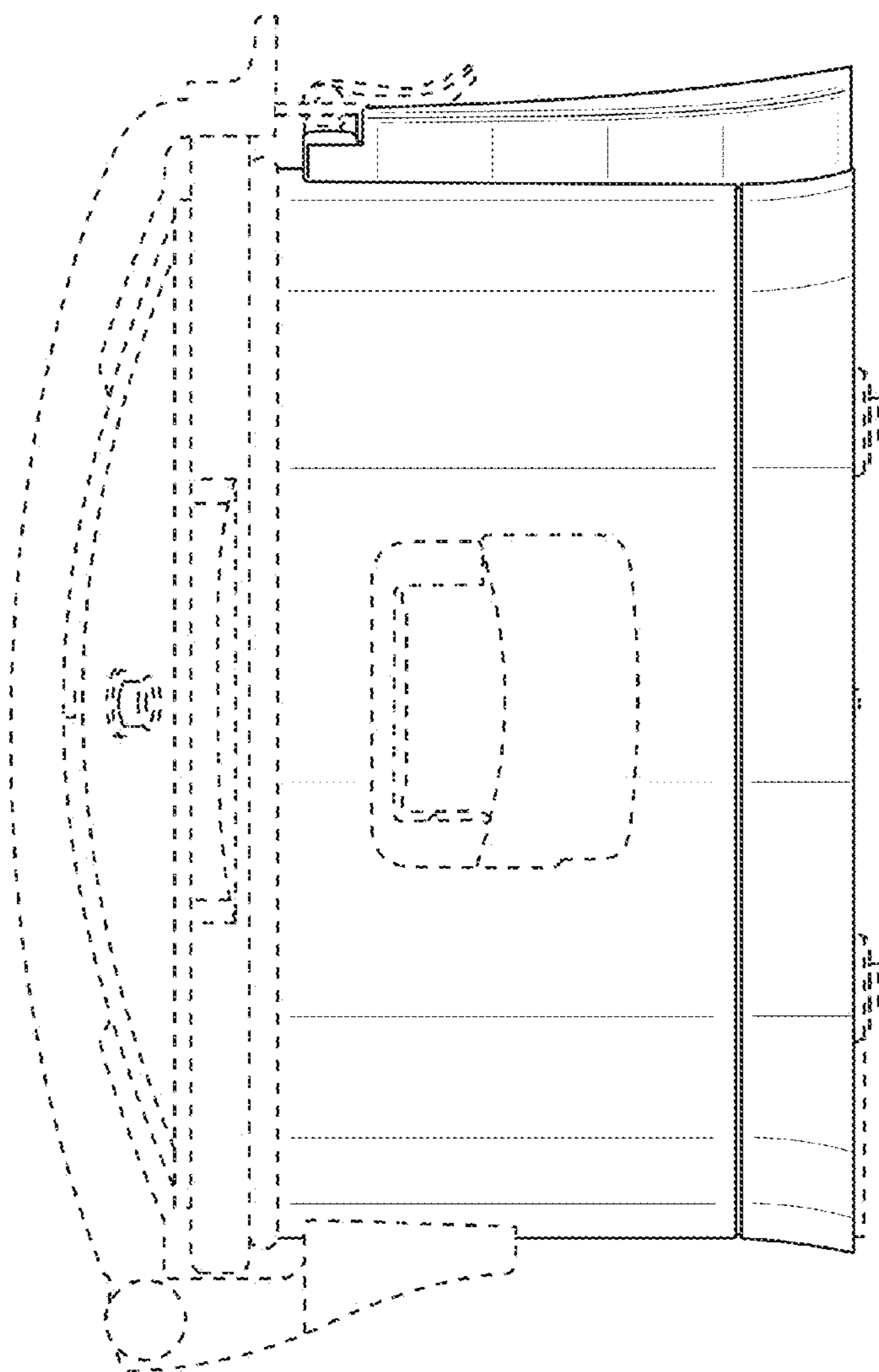


FIG. 4

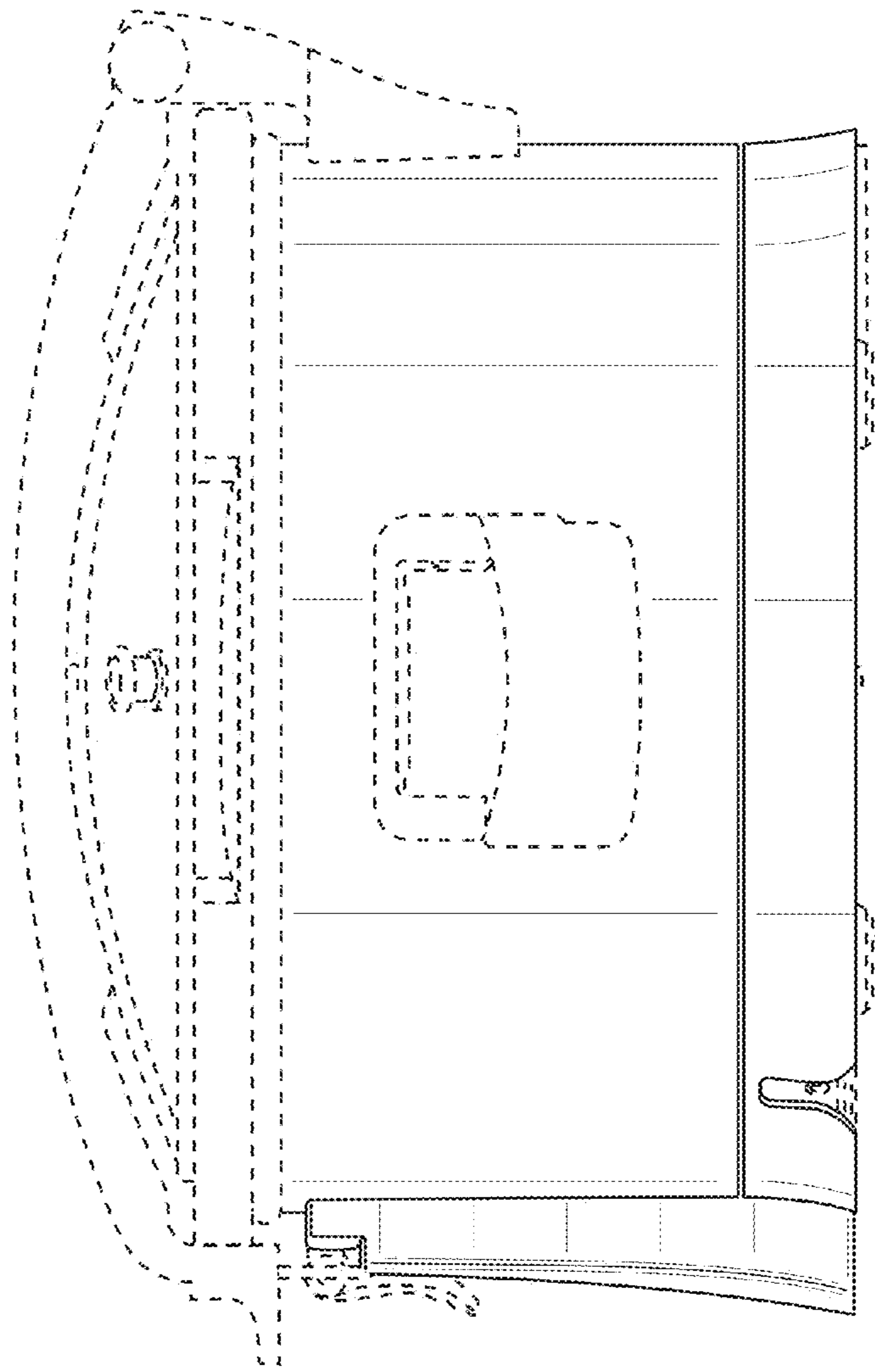


FIG. 5

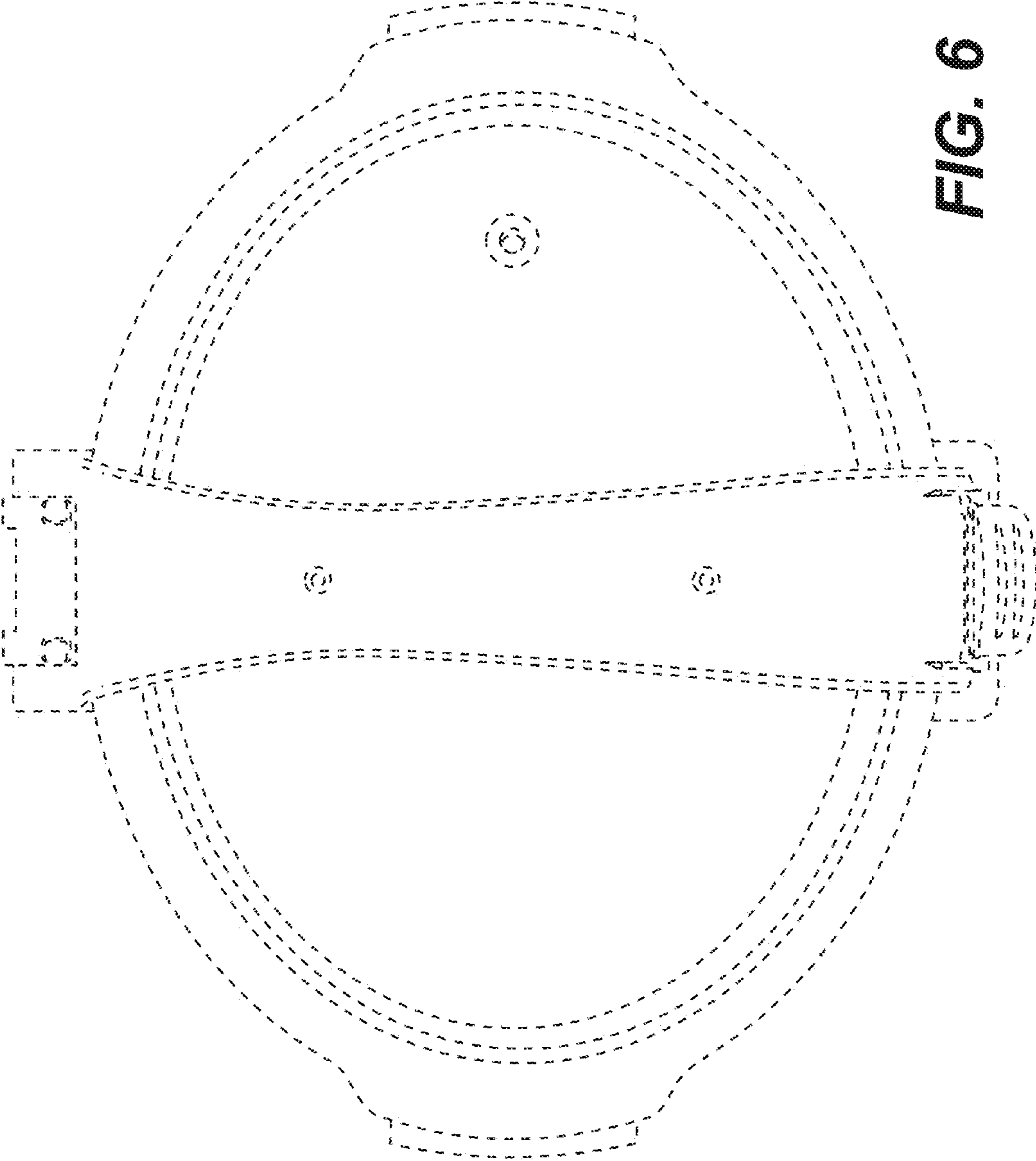


FIG. 6

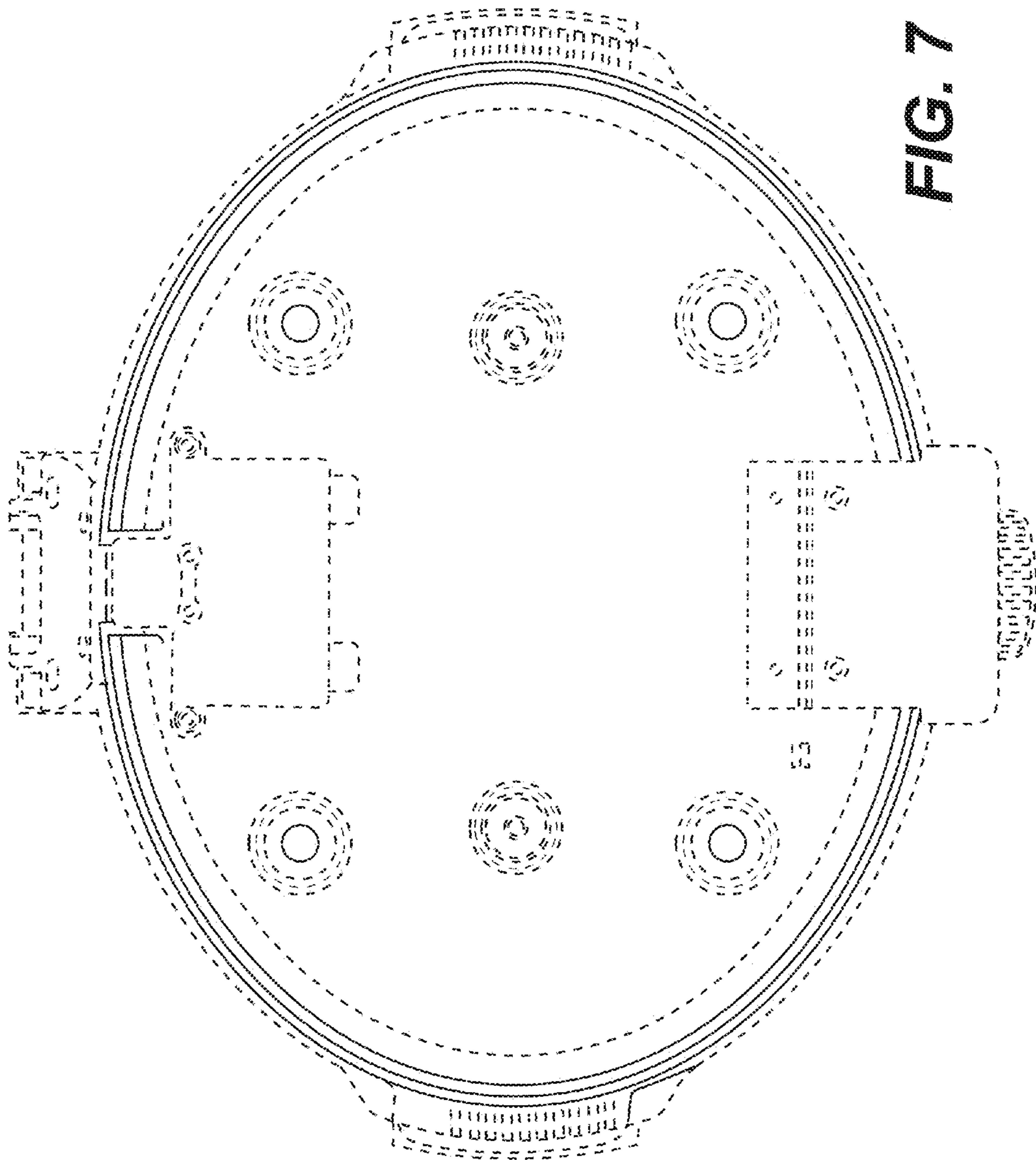


FIG. 7