

US00D697749S

(12) **United States Design Patent**  
**Knöll**

(10) **Patent No.:** **US D697,749 S**  
(45) **Date of Patent:** **\*\* Jan. 21, 2014**

(54) **COOKTOP**  
(75) Inventor: **Sebastian Knöll**, München (DE)  
(73) Assignee: **BSH Bosch und Siemens Hausgeraete GmbH**, Munich (DE)  
(\*\*) Term: **14 Years**  
(21) Appl. No.: **29/431,754**  
(22) Filed: **Sep. 11, 2012**

5,400,765 A \* 3/1995 Goldstein et al. .... 126/39 J  
6,050,176 A \* 4/2000 Schultheis et al. .... 99/339  
D451,332 S \* 12/2001 Busalt ..... D7/346  
D506,637 S \* 6/2005 Tanaka ..... D7/346  
D509,095 S \* 9/2005 Grutzke et al. .... D7/346  
7,041,945 B2 \* 5/2006 Aihara et al. .... 219/622  
7,049,552 B2 \* 5/2006 Arntz et al. .... 219/452.12  
D553,901 S \* 10/2007 Grey et al. .... D7/346  
D641,583 S \* 7/2011 Sadtler ..... D7/346  
D641,584 S \* 7/2011 Sadtler ..... D7/346  
D643,674 S \* 8/2011 Lee et al. .... D7/363  
D651,447 S \* 1/2012 Sadtler ..... D7/346  
D655,565 S \* 3/2012 Goss et al. .... D7/346  
2009/0194527 A1 \* 8/2009 Okada ..... 219/624

(30) **Foreign Application Priority Data**  
Mar. 12, 2012 (EM) ..... 001319693  
(51) **LOC (10) Cl.** ..... **07-02**  
(52) **U.S. Cl.**  
USPC ..... **D7/346**  
(58) **Field of Classification Search**  
USPC ..... D7/323, 336, 337, 339, 340, 346, 347,  
D7/348, 402-409, 387; D14/126, 335,  
D14/336, 371; 126/39 A, 39 R, 39 J, 211,  
126/214 A, 214 C, 215-218, 152 R;  
219/460.1-464.1, 506, 621-624, 627,  
219/480, 483, 445.1, 660, 665, 448.1,  
219/452.12; 431/10; 307/104; 99/340, 342,  
99/339; 432/176  
See application file for complete search history.

\* cited by examiner

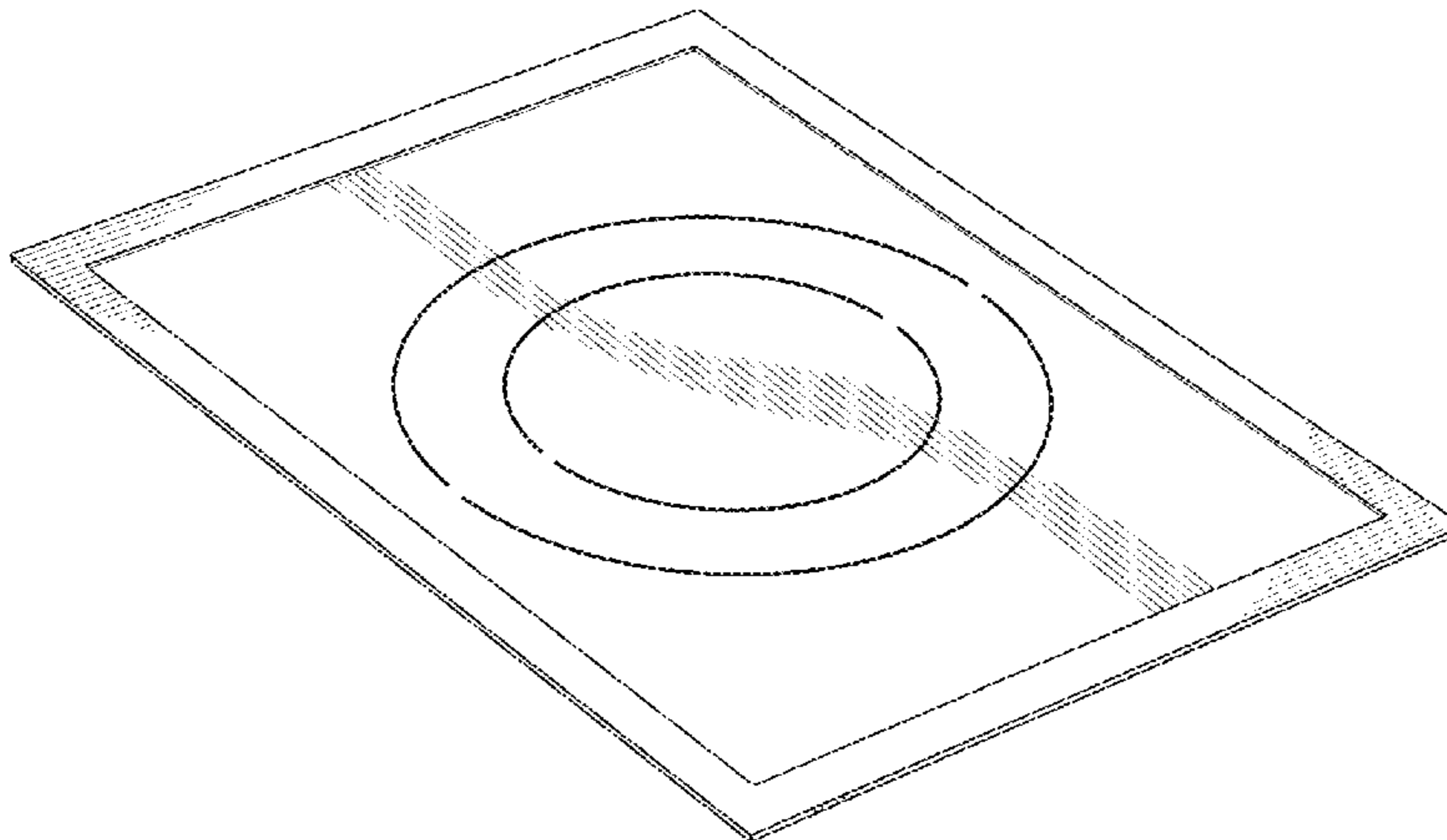
*Primary Examiner* — Caron D Veynar  
*Assistant Examiner* — Martie K Holtje  
(74) *Attorney, Agent, or Firm* — James E. Howard; Andre Pallapies

(56) **References Cited**  
U.S. PATENT DOCUMENTS  
D210,336 S \* 2/1968 Jenn et al. .... D7/346  
4,264,805 A \* 4/1981 Traut ..... 219/452.12  
D276,492 S \* 11/1984 Sasaki ..... D7/346  
D277,449 S \* 2/1985 Vetter et al. .... D7/346  
D342,641 S \* 12/1993 Falk ..... D7/407

(57) **CLAIM**  
The ornamental design for a cooktop, as shown and described.

**DESCRIPTION**  
FIG. 1 is a front perspective view of a cooktop according to a first embodiment showing my new ornamental design;  
FIG. 2 is a top view thereof;  
FIG. 3 is a front perspective view of a cooktop according to a second embodiment showing my new ornamental design;  
FIG. 4 is a front view thereof;  
FIG. 5 is a rear view thereof;  
FIG. 6 is a top view thereof;  
FIG. 7 is a bottom view thereof;  
FIG. 8 is a left side view thereof; and,  
FIG. 9 is a right side view thereof.

**1 Claim, 4 Drawing Sheets**



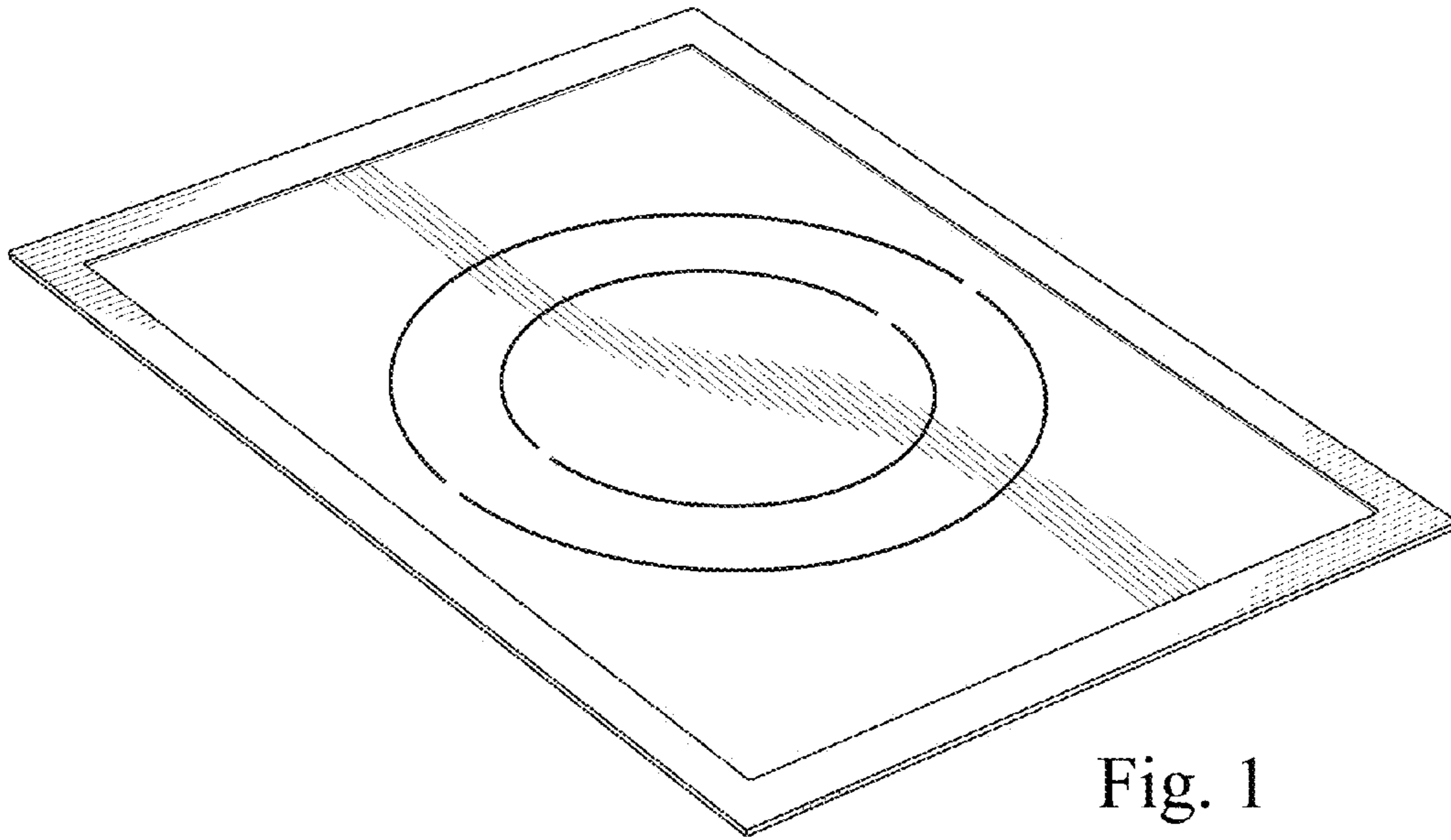


Fig. 1

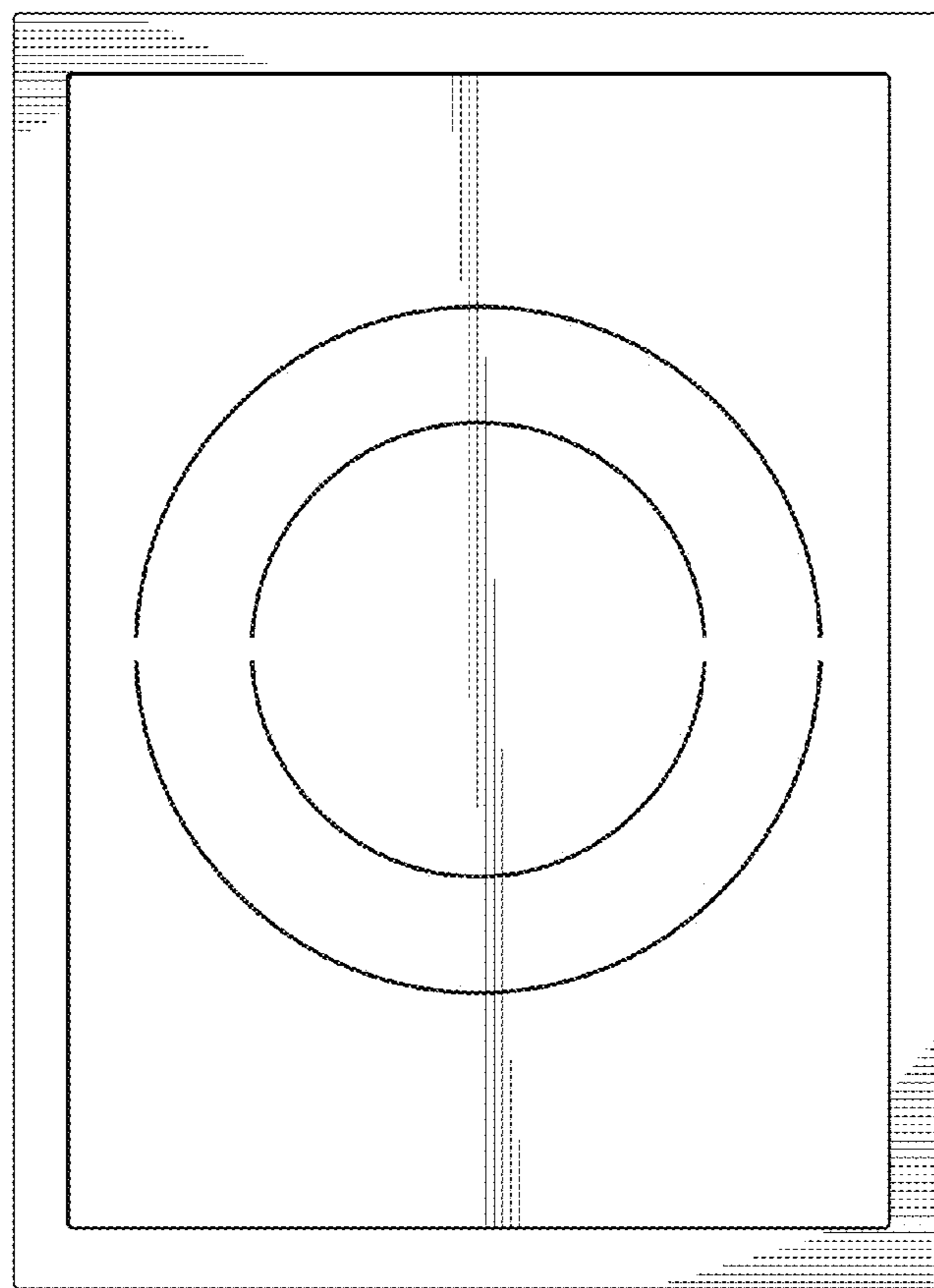


Fig. 2

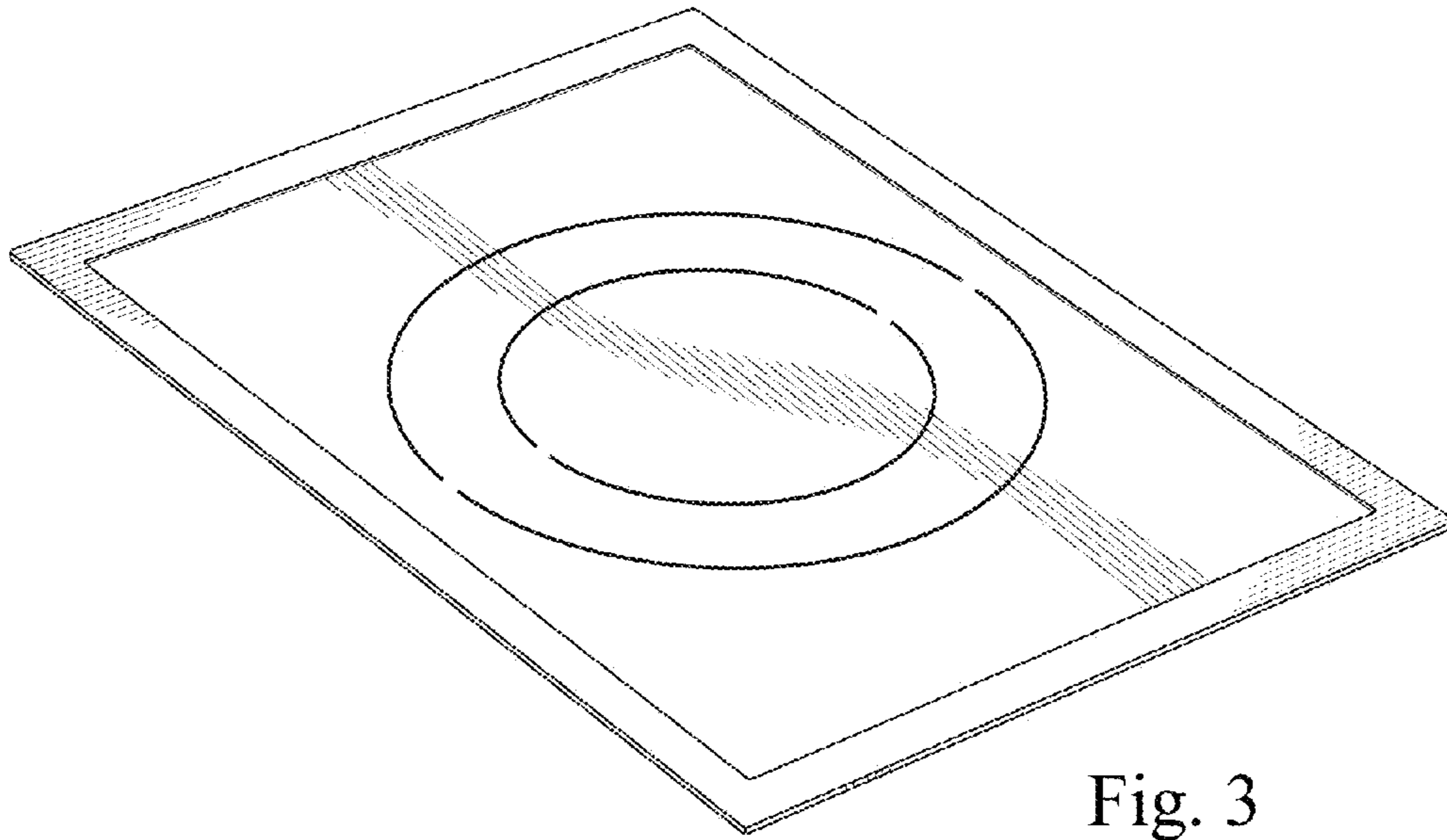


Fig. 3



Fig. 4

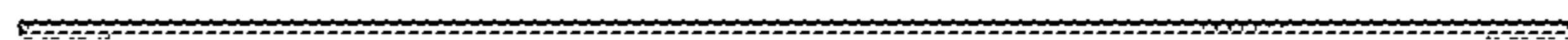


Fig. 5

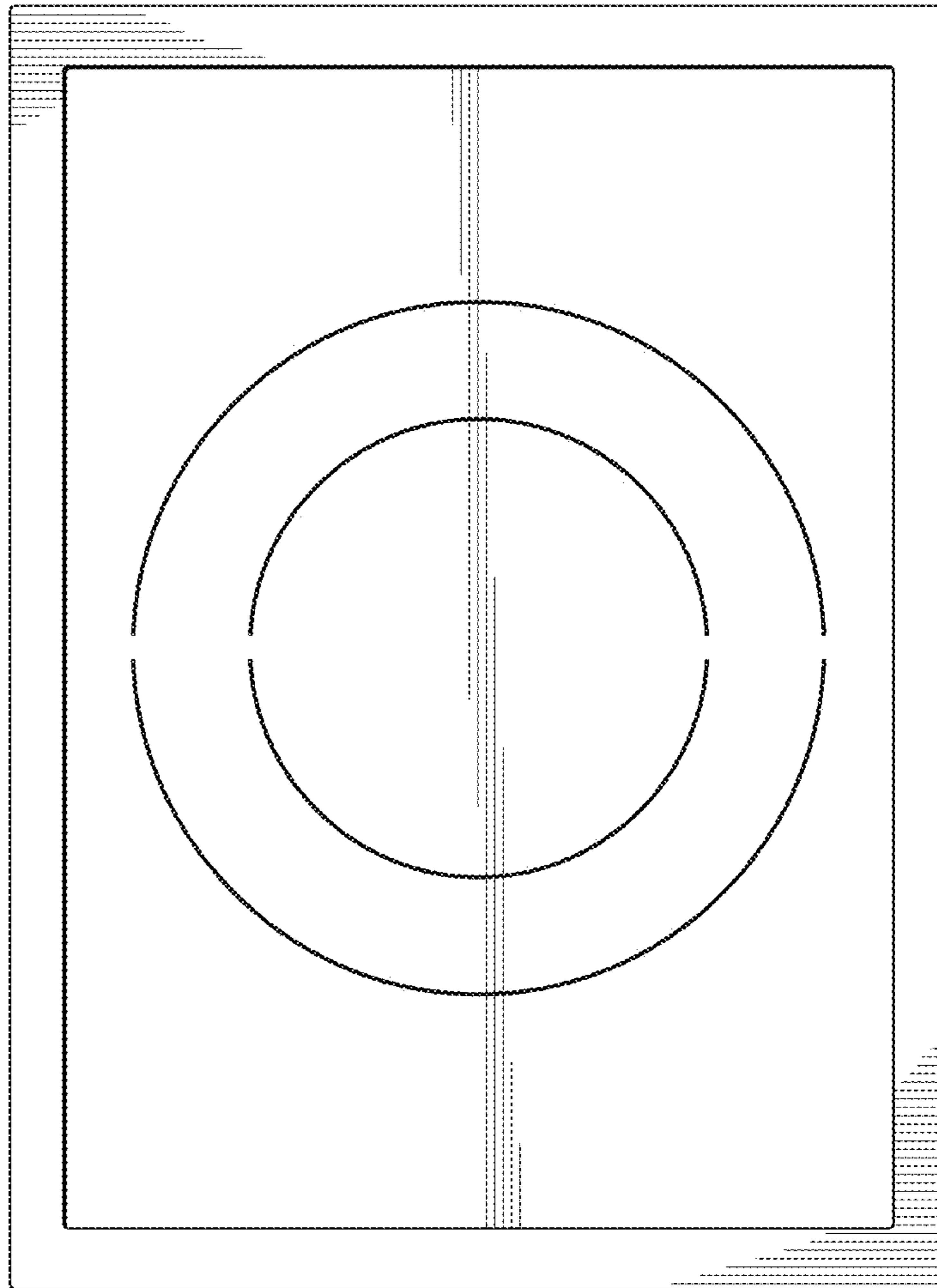


Fig. 6

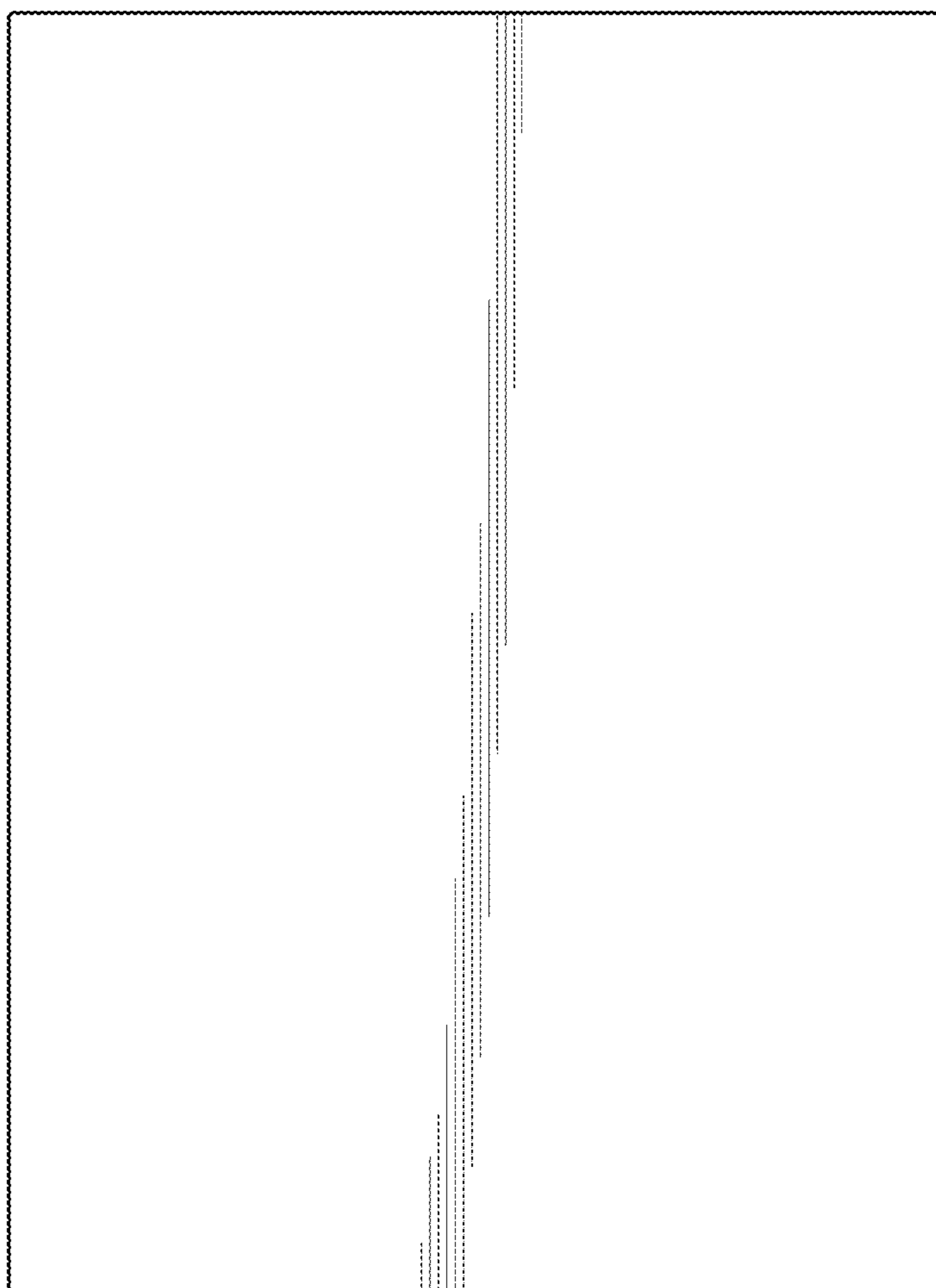


Fig. 7



Fig. 8



Fig. 9